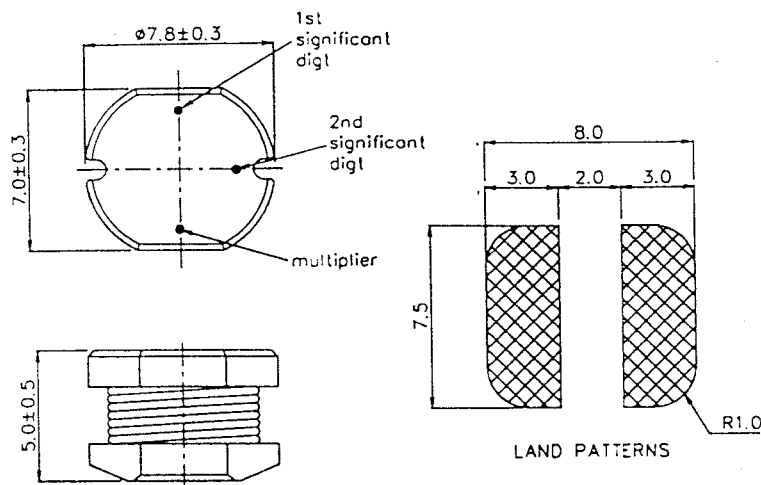


SMD POWER CHOKE CSN075D

MARK INDEX

- 1=BROWN
- 2=RED
- 3=ORANGE
- 4=YELLOW
- 5=GREEN
- 6=BLUE
- 7=PURPLE
- 8=GRAY
- 9=WHITE
- 0=BLACK



UNIT :mm

PART NO.	MARK	INDUCTANCE	TEST FREQ.	D.C.R. (at 20°C) Max. (Ω)	RATED CURRENT (A) ※
CSN075D-100K	103	10 u H ± 10%	2.52 MHz	0.07	2.30
CSN075D-120K	123	12 u H ± 10%	2.52 MHz	0.08	2.00
CSN075D-150K	153	15 u H ± 10%	2.52 MHz	0.09	1.80
CSN075D-180K	183	18 u H ± 10%	2.52 MHz	0.10	1.60
CSN075D-220K	223	22 u H ± 10%	2.52 MHz	0.11	1.50
CSN075D-270K	273	27 u H ± 10%	2.52 MHz	0.12	1.30
CSN075D-330K	333	33 u H ± 10%	2.52 MHz	0.13	1.20
CSN075D-390K	393	39 u H ± 10%	2.52 MHz	0.16	1.10
CSN075D-470K	473	47 u H ± 10%	2.52 MHz	0.18	1.10
CSN075D-560K	563	56 u H ± 10%	2.52 MHz	0.24	0.94
CSN075D-680K	683	68 u H ± 10%	2.52 MHz	0.28	0.85
CSN075D-820K	823	82 u H ± 10%	2.52 MHz	0.37	0.78
CSN075D-101K	104	100 u H ± 10%	1 KHz	0.43	0.72
CSN075D-121K	124	120 u H ± 10%	1 KHz	0.47	0.66
CSN075D-151K	154	150 u H ± 10%	1 KHz	0.64	0.58
CSN075D-181K	184	180 u H ± 10%	1 KHz	0.71	0.51
CSN075D-221K	224	220 u H ± 10%	1 KHz	0.96	0.49
CSN075D-271K	274	270 u H ± 10%	1 KHz	1.11	0.42
CSN075D-331K	334	330 u H ± 10%	1 KHz	1.26	0.40
CSN075D-391K	394	390 u H ± 10%	1 KHz	1.77	0.36
CSN075D-471K	474	470 u H ± 10%	1 KHz	1.96	0.34

※ Inductance drop no more than 10% at rated current applied or temperature rise $\Delta t = 40^\circ\text{C}$.



FRONTIER
ELECTRONICS CO., LTD.

FRONTIER ELECTRONICS CO., LTD.

4TH FL. NO.48, MIN CHUAN RD., HSIN TIEN, TAIPEI HSIEN, TAIWAN, R.O.C.

TEL: (02)29147685-9

FAX: (02)29186304

FECLS00024

08/19/99 A