



A276308A

64K X 8 OTP CMOS EPROM

Document Title

64K X 8 OTP CMOS EPROM

Revision History

<u>Rev. No.</u>	<u>History</u>	<u>Issue Date</u>	<u>Remark</u>
0.0	Initial issue	March 24, 2000	Preliminary
0.1	Change Program Verify VCC to 6.25V	March 14, 2001	
1.0	Final spec release	December 17, 2001	



A276308A

64K X 8 OTP CMOS EPROM

Features

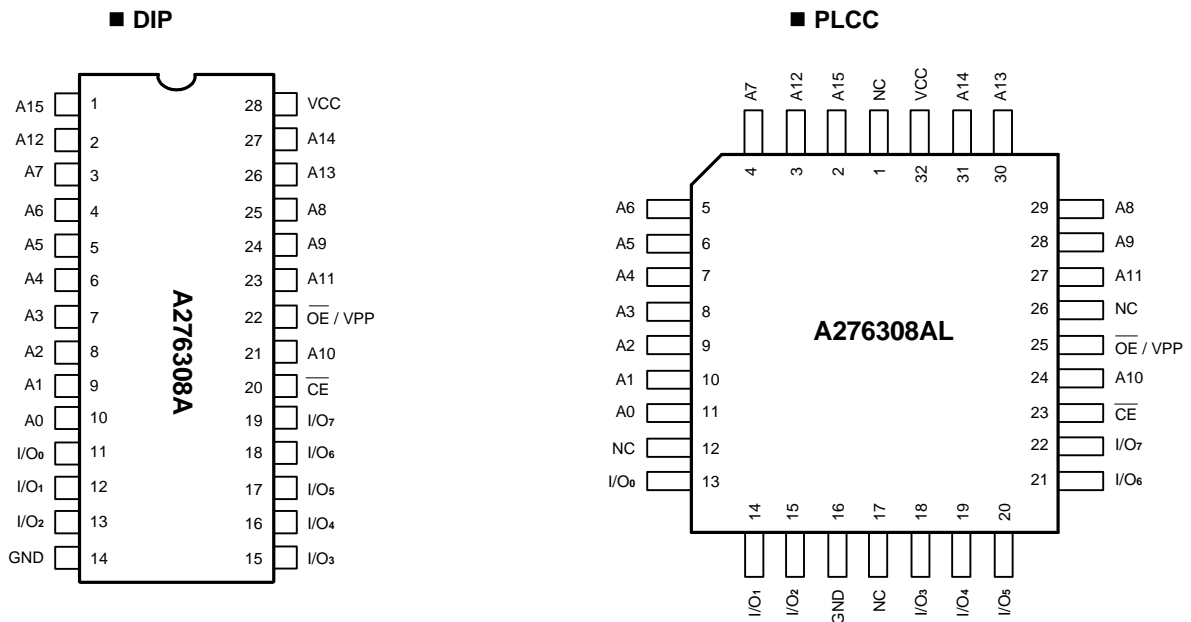
- 65,536 X 8 bit organization
- Programming voltage: 12.75V
- Access time: 55/70/90 ns (max.)
- Current: Operating: 30mA (max.) at 5MHz
Standby: 100µA (max.)
- All inputs and outputs are directly TTL-compatible
- Available in 28-pin DIP and 32-PLCC packages

General Description

The A276308A chip is a high-performance 524,288 bit one-time programmable read only memory (OTP EPROM) organized as 64K by 8 bits. The A276308A requires only 5V power supply in normal read mode

operation and any input signals are TTL levels. The A276308A is available in industry standard 28 pin dual-in-line and 32 lead PLCC packages.

Pin Configurations



Pin Configurations

Pin Name	Function
A0-A15	Address Inputs
I/O7-I/O0	Data Inputs / Outputs
$\overline{\text{CE}}$	Chip Enable
$\overline{\text{OE}}$ / VPP	Output Enable / Program Power Supply
VCC	Power Supply
GND	Ground
NC	No Internal Connection

Operating Modes and Truth Table

Mode	$\overline{\text{CE}}$	$\overline{\text{OE}}$ / VPP	A0	A1	A9	VCC	I/O7-I/O0
Read	V _{IL}	V _{IL}	X	X	X	VCC	Data Out
Output Disable	V _{IL}	V _{IH}	X	X	X	VCC	Hi-Z
Standby	V _{IH}	X	X	X	X	VCC	Hi-Z
Program	V _{IL}	12.75V	X	X	X	6.25V	Data In
Program Verify	V _{IL}	V _{IL}	X	X	X	6.25V	Data Out
Program Inhibit	V _{IH}	12.75V	X	X	X	6.25V	Hi-Z
Manufacturer Code ⁽³⁾	V _{IL}	V _{IL}	V _{IL}	V _{IL}	V _{ID}	VCC	37H
Device Code ⁽³⁾	V _{IL}	V _{IL}	V _{IH}	V _{IL}	V _{ID}	VCC	2CH
Continuation Code ⁽³⁾	V _{IL}	V _{IL}	V _{IL}	V _{IH}	V _{ID}	VCC	7FH

Notes:

1. X = Either V_{IH} or V_{IL}.
2. V_{ID} = 12V ± 0.5V.
3. A2 ~ A8 = A10 ~ A15 = V_{IL} (For auto identification)



Functional Description

Read Mode

The A276308A has two control functions, both of which must be logically active in order to obtain data at the outputs. CE is the power control and should be used for device selection. OE is the output control and should be used to data to the output pins, which is independent of device selection. Assuming that addresses are stable, address access time (tAA) is equal to the delay from CE to output (tce). Data is available at the output after a delay (toE) from the falling edge of OE, as long as CE has been low and the addresses have been stable for at least tAA - toE.

Standby Mode

The A276308A has a standby mode which reduces the active current from 30mA to 100µA. The A276308A is placed in the standby mode by applying a CMOS high signal to CE. When in the standby mode, the output are in a high impedance state, independent of the OE.

Absolute Maximum Ratings*

- Ambient Operating Temperature (TA) -10°C to +85°C
Storage Temperature Plastic Package (TSTG)
. -55°C to 125°C
Applied Input Voltage (Vi):
All Pins Except A9, VPP and VCC
. -0.6V to VCC + 0.6V
A9, VPP -0.6V to 13.5V
VCC -0.6V to 7.0V
Output Voltage (Vo) -0.6V to 7.0V (Note 1)

Notes:

- 1. During voltage transitions, the input may undershoot GND to -2.0V for periods less than 20 ns. Maximum DC voltage on input and I/O may overshoot to VCC + 2.0V for periods less than 20 ns.
2. When transitions, A9 and VPP may undershoot GND to -2.0V for periods less than 20 ns. Maximum DC input voltage on A9 and VPP is +13.5V which may overshoot to 14.0V for period less than 20 ns.

Auto Identify Mode

The auto identify mode allows the reading out of a binary code from a EPROM that will identify its manufacturer and type. This mode is intended for use by programming equipment for the purpose of automatically matching the device to be programmed with its corresponding programming algorithm.

To activate the mode, the programming equipment must apply 12.0V ± 0.5V on address line A9 of the A276308A. Three identification code can be read from data output pin by toggling A0 and A1. The other addresses must be held at VIL during this mode. Byte 0 (with A0 at VIL, A1 at VIL) represents the manufacturer code which is 37H. Byte 1 and Byte 2 represent the device code and continuation code, which is 2CH and 7FH respectively. All identifiers for these codes will possess odd parity, with MSB (IO7) defined the parity bit.

*Comments

Stresses above those listed under "Absolute Maximum Ratings" may cause permanent damage to this device. These are stress ratings only. Functional operation of this device at these or any other conditions above those indicated in the operational sections of this specification is not implied or intended. Exposure to the absolute maximum rating conditions for extended periods may affect device reliability.

Read Mode DC Electrical Characteristics ($T_A = 0^\circ\text{C}$ to 70°C , $V_{CC} = 5V \pm 10\%$, $V_{PP} = V_{CC}$)

Symbol	Parameter	Min.	Max.	Unit	Conditions
V_{OH}	Output High Voltage	2.4		V	$I_{OH} = -400\mu\text{A}$
V_{OL}	Output Low Voltage		0.4	V	$I_{OL} = 2.1\text{mA}$
V_{IH}	Input High Voltage	2.0	$V_{CC} + 0.5$	V	
V_{IL}	Input Low Voltage	-0.5	0.8	V	
I_{LI}	Input Leakage Current	-1	+1	μA	$V_{CC} = \text{max.}$ $V_{in} = 0V$ to V_{CC}
I_{LO}	Output Leakage Current	-1	+1	μA	$V_{CC} = \text{max.}$ $V_{out} = 0V$ to V_{CC}
I_{CC}	VCC Read Operating Current		30	mA	$V_{CC} = \text{max.}$ $\overline{CE} = V_{IL}$, $\overline{OE} = V_{IL}$ $I_{out} = 0\text{mA}$, at 5MHz
I_{SB}	VCC Standby Current (TTL)		1	mA	$V_{CC} = \text{max.}$ $\overline{CE} = V_{IH}$
I_{SB1}	VCC Standby Current (CMOS)		100	μA	$V_{CC} = \text{max.}$ $\overline{CE} = V_{CC} - 0.2V$
I_{PP}	VPP Current During Read		10	μA	$\overline{CE} = \overline{OE} = V_{IL}$, $V_{PP} = V_{CC}$
I_{ID}	A9 Auto Select Current		100	μA	$A9 = V_{ID}$, $V_{CC} = \text{max.}$

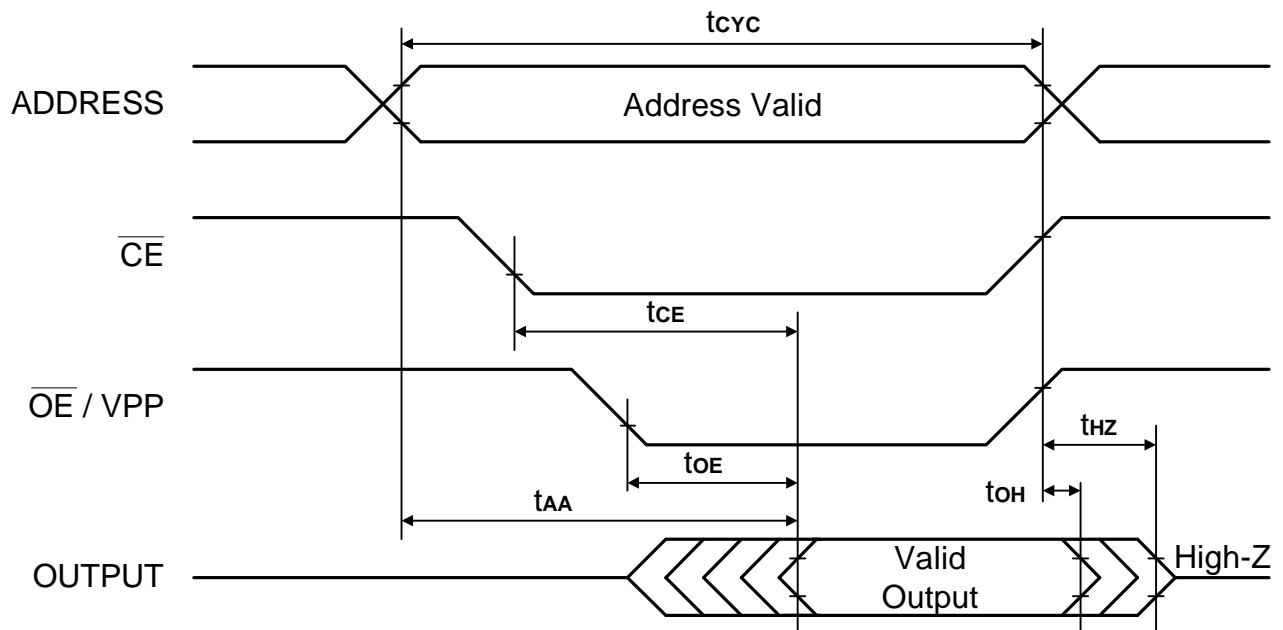
Capacitance ($T_A = 25^\circ\text{C}$, $f = 1.0\text{MHz}$)

Symbol	Parameter	Min.	Max.	Unit	Conditions
C_{IN}	Input Capacitance		8	pF	$V_{IN} = 0V$
C_{out}	Output Capacitance		8	pF	$V_{out} = 0V$

* These parameters are sampled and not 100% tested.

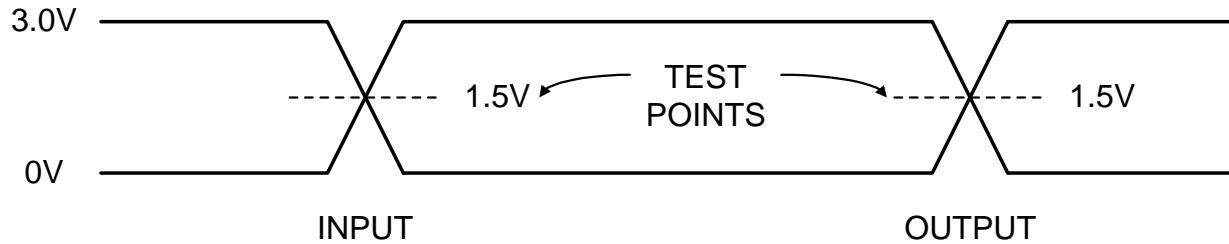
Read Mode AC Characteristics ($T_a = 0^\circ\text{C}$ to 70°C , $V_{CC} = 5V \pm 10\%$, $V_{PP} = V_{CC}$)

Symbol	Parameter	55ns		70ns		90ns		Unit
		Min.	Max.	Min.	Max.	Min.	Max.	
t_{CYC}	Cycle Time	55		70		90		ns
t_{AA}	Address Access Time		55		70		90	ns
t_{CE}	Chip Enable Access Time		55		70		90	ns
t_{OE}	Output Enable Access Time		30		35		40	ns
t_{OH}	Output Hold after Address, \overline{CE} or \overline{OE} , whichever Occurred First	0		0		0		ns
t_{HZ}	Output High Z Delay		20		20		25	ns

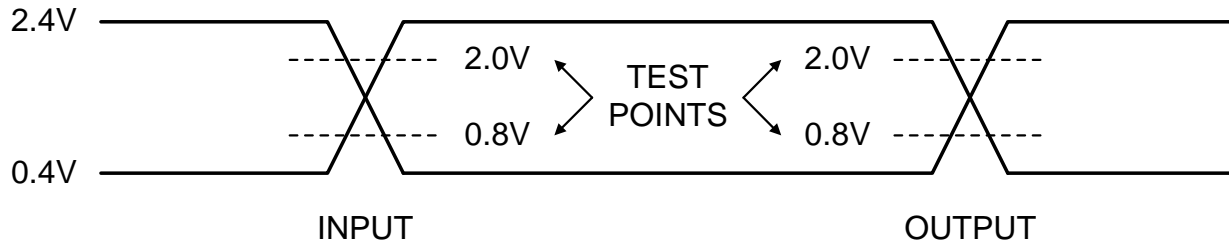
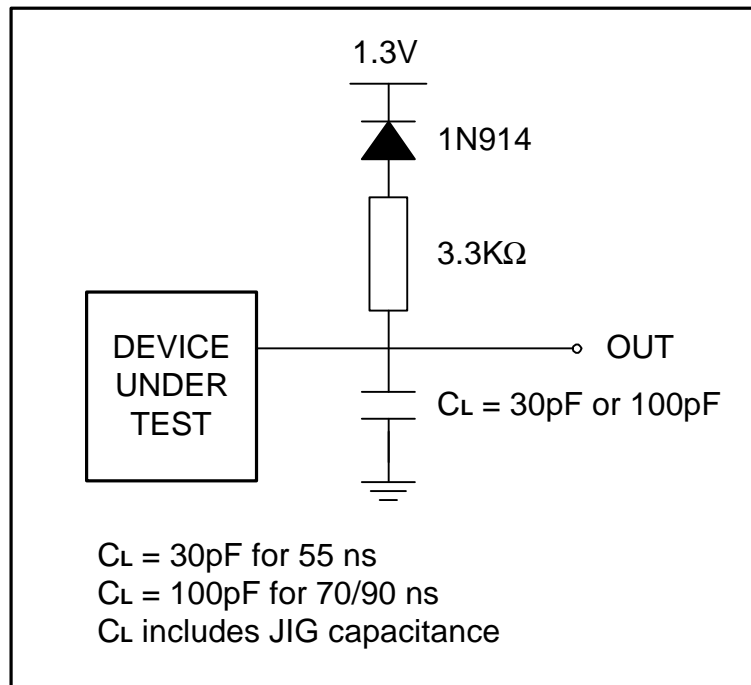
Read Mode Switching Waveforms


AC Measurement Conditions

- for 55 ns
- ① Input Rise and Fall Times ≤ 10 ns
 - ② Input Pulse Voltage: 0V to 3V
 - ③ Input and Output Timing Ref. Voltage: 1.5V



- for 70/90 ns
- ① Input Rise and Fall Times ≤ 10 ns
 - ② Input Pulse Voltage: 0.4V to 2.4V
 - ③ Input and Output Timing Ref. Voltage: 0.8V to 2.0V


AC Testing Load Circuit


Programming and Program Verify

The programming flowchart is shown in Page 10.

The A276308A is shipped with all bits being set to "1". Programming causes relevant bits to be changed to "0". The programming mode is started by setting VCC to 6.25V, \overline{OE}/VPP to +12.75V and \overline{CE} is at V_{IL} . Data to be programmed can be directly input in the 8 bit format through the data bus.

The write programming algorithm reduces programming time by using 100 μ s pulse followed by a byte verification to determine whether the byte has been successfully programmed. If the data does not pass the verification,

an additional pulse programming is applied for a maximum of 25 pulses. On completion of 1 byte programming and, The verified address is incremented. After the final address is completed, all bytes are verified again with VCC = 5.0 Volt.

Program Inhibit

This mode is used to program one of multiple A276308A whose VCC, address bus and data bus are connected in parallel. When programming is performed, other A276308A can be inhibited from being programmed by setting their \overline{CE} pins to V_{IH} and \overline{OE}/VPP pins to +12.75V.

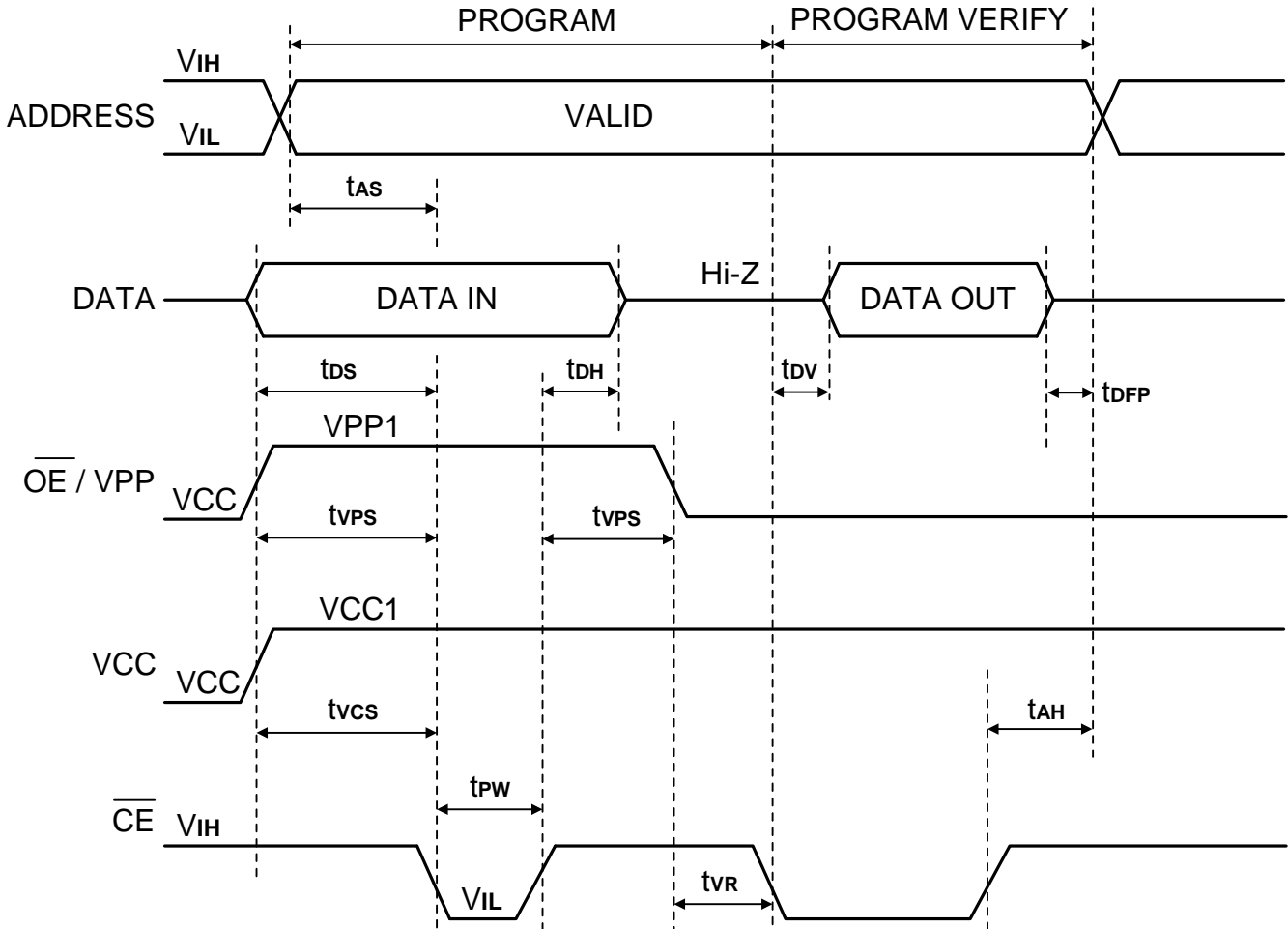
Programming Mode DC Characteristics (Ta = 0°C to 70°C, VCC = 6.25V \pm 0.25V, VPP = 12.75V \pm 0.25V)

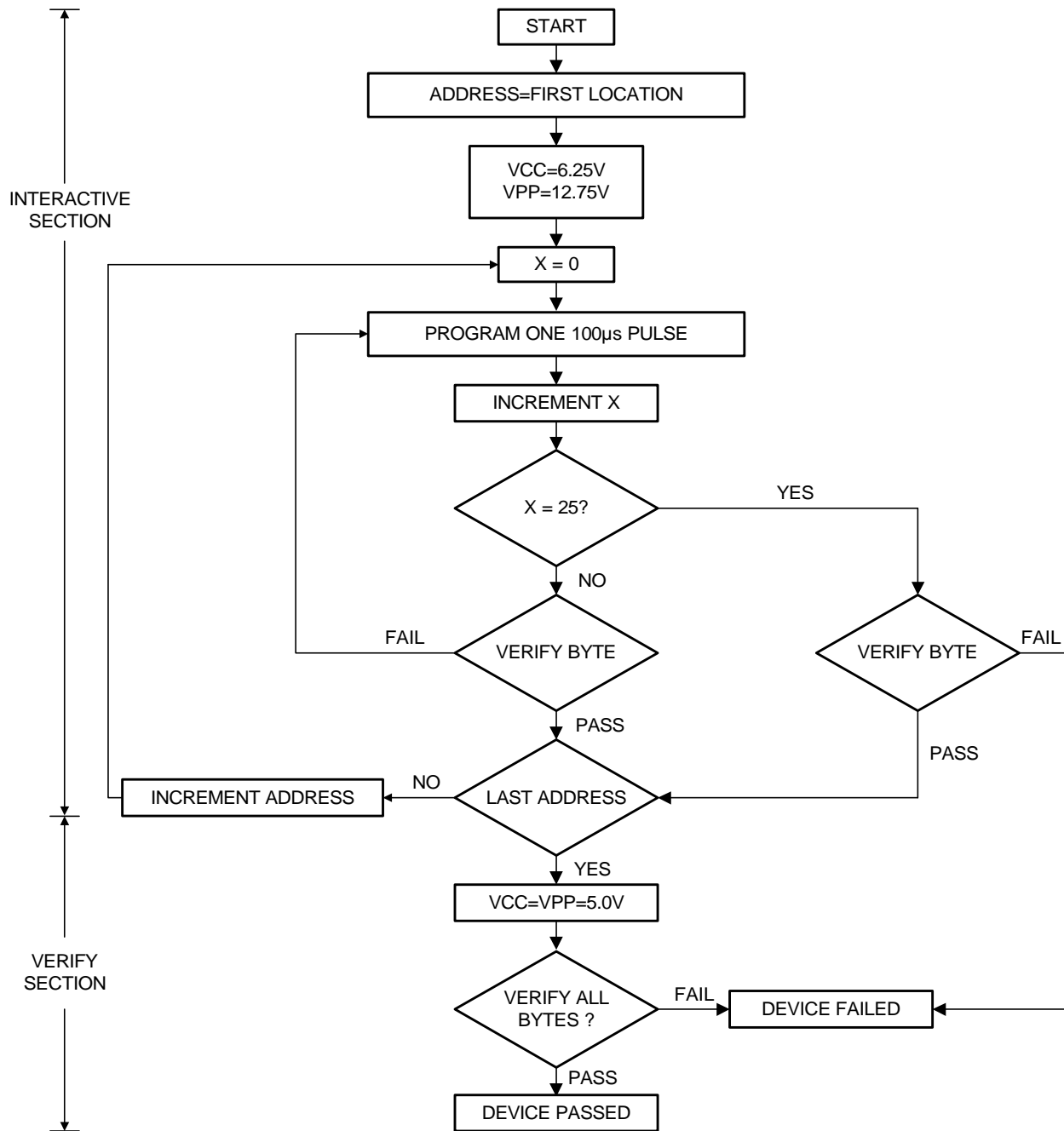
Symbol	Parameter	Min.	Max.	Unit	Test Conditions
V _{OH}	Output High Voltage	2.4		V	I _{OH} = -400 μ A
V _{OL}	Output Low Voltage		0.4	V	I _{OL} = 2.1mA
V _{IH}	Input High Voltage	2.0	VCC + 0.5	V	
V _{IL}	Input Low Voltage	-0.5	0.8	V	
I _{LI}	Input Leakage Current	-1	+1	μ A	VCC = max. Vin = 0V to VCC
I _{CC}	VCC Current During Program		50	mA	
I _{PP}	VPP Current During Program		50	mA	$\overline{CE} = V_{IL}$
V _{ID}	A9 Auto Select Voltage	11.5	12.5	V	A9 = V _{ID}
VCC1	Programming Supply Voltage	6.0	6.5	V	
VPP1	Programming Voltage	12.5	13	V	

Note: VCC must be applied simultaneously or before VPP and removed simultaneously or after VPP.

Programming Mode AC Characteristics ($T_a = 0^\circ\text{C}$ to 70°C , $V_{CC} = 6.25\text{V} \pm 0.25\text{V}$, $V_{PP} = 12.75\text{V} \pm 0.25\text{V}$)

Symbol	Parameter	Min.	Max.	Unit
t _{AS}	Address Valid to Program Low	2		μs
t _{DS}	Input Valid to Program Low	2		μs
t _{VPS}	VPP Set up Time	2		μs
t _{VCS}	VCC Set up Time	2		μs
t _{PW}	Program Pulse Width	95	105	μs
t _{DH}	Data Hold Time	2		μs
t _{VR}	$\overline{\text{OE}}$ / VPP Recovery Time	2		μs
t _{DV}	Data Valid from $\overline{\text{CE}}$		100	ns
t _{D_{FP}}	Chip Enable to Output Float Delay		130	ns
t _{AH}	Address Hold Time	0		ns

Programming and Verify Mode AC Waveforms


Programming Flowchart


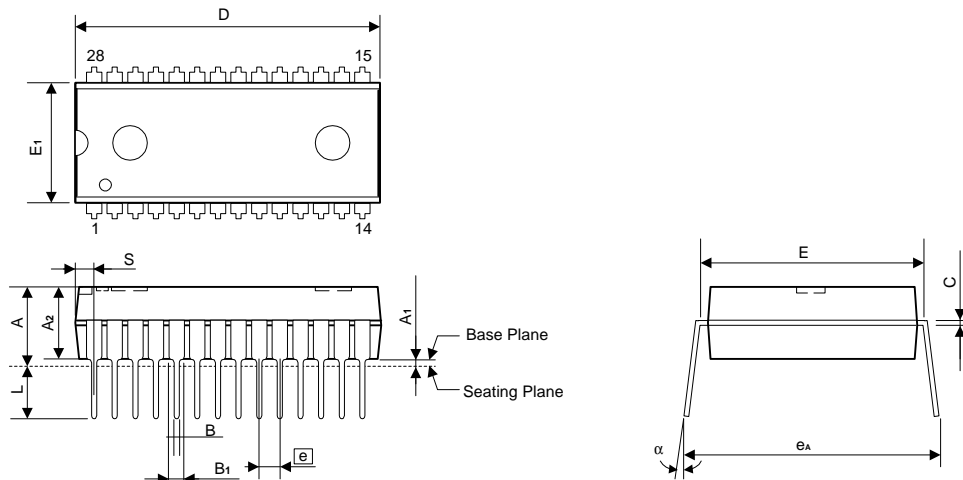


Ordering Information

Part No.	Access Time (ns)	Operating Current Max. (mA) at 5MHz	Standby Current Max. (μA)	Package
A276308A-55	55	30	100	28Pin DIP
A276308AL-55	55	30	100	32Pin PLCC
A276308A-70	70	30	100	28Pin DIP
A276308AL-70	70	30	100	32Pin PLCC
A276308A-90	90	30	100	28Pin DIP
A276308AL-90	90	30	100	32Pin PLCC

Package Information
P-DIP 28L Outline Dimensions

unit: inches/mm



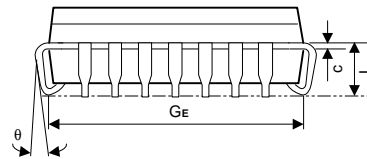
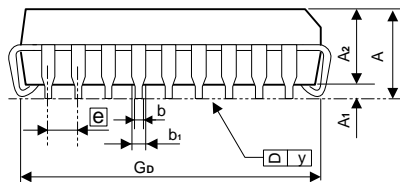
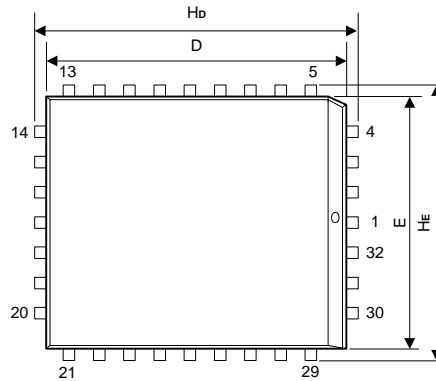
Symbol	Dimensions in inches			Dimensions in mm		
	Min	Nom	Max	Min	Nom	Max
A	-	-	0.210	-	-	5.33
A1	0.010	-	-	0.25	-	-
A2	0.150	0.155	0.160	3.81	3.94	4.06
B	0.016	0.018	0.022	0.41	0.46	0.56
B1	0.058	0.060	0.064	1.47	1.52	1.63
C	0.008	0.010	0.014	0.20	0.25	0.36
D	-	1.460	1.470	-	37.08	37.34
E	0.590	0.600	0.610	14.99	15.24	15.49
E1	0.540	0.545	0.550	13.72	13.84	13.97
e	0.090	0.100	0.110	2.29	2.54	2.79
L	0.120	0.130	0.140	3.05	3.30	3.56
α	0°	-	15°	0°	-	15°
eA	0.630	0.650	0.670	16.00	16.51	17.02
S	-	-	0.090	-	-	2.29

Notes:

1. The maximum value of dimension D includes end flash.
2. Dimension E1 does not include resin fins.
3. Dimension S includes end flash.

Package Information
PLCC 32L Outline Dimension

unit: inches/mm



Symbol	Dimensions in inches			Dimensions in mm		
	Min	Nom	Max	Min	Nom	Max
A	-	-	0.134	-	-	3.40
A1	0.0185	-	-	0.47	-	-
A2	0.105	0.110	0.115	2.67	2.80	2.93
b1	0.026	0.028	0.032	0.66	0.71	0.81
b	0.016	0.018	0.021	0.41	0.46	0.54
C	0.008	0.010	0.014	0.20	0.254	0.35
D	0.547	0.550	0.553	13.89	13.97	14.05
E	0.447	0.450	0.453	11.35	11.43	11.51
e	0.044	0.050	0.056	1.12	1.27	1.42
Gd	0.490	0.510	0.530	12.45	12.95	13.46
GE	0.390	0.410	0.430	9.91	10.41	10.92
Hb	0.585	0.590	0.595	14.86	14.99	15.11
HE	0.485	0.490	0.495	12.32	12.45	12.57
L	0.075	0.090	0.095	1.91	2.29	2.41
y	-	-	0.003	-	-	0.075
theta	0°	-	10°	0°	-	10°

Notes:

- Dimensions D and E do not include resin fins.
- Dimensions Gd & GE are for PC Board surface mount pad pitch design reference only.