

TMS320VC5502
Fixed-Point Digital Signal Processor

Data Manual

Literature Number: SPRS166H
April 2001 – Revised November 2004

PRODUCTION DATA information is current as of publication date.
Products conform to specifications per the terms of the Texas
Instruments standard warranty. Production processing does not
necessarily include testing of all parameters.



Revision History

This data sheet revision history highlights the technical changes made to the SPRS166G device-specific data sheet to make it an SPRS166H revision.

Scope: Deleted Section 7.1 (Ball Grid Array Mechanical Data) and Section 7.2 (Low-Profile Quad Flatpack Mechanical Data). Mechanical drawings of the 201-terminal GZZ, 201-terminal ZZZ, and 176-pin PGF packages will be appended to this document via an automated process.

Added 201-terminal ZZZ package information/data, added Section 4.1 [Notices Concerning JTAG (IEEE 1149.1) Boundary Scan Test Capability], added Section 6.2 (Packaging Information), etc.

ADDITIONS/CHANGES/DELETIONS

<p>Global:</p> <ul style="list-style-type: none"> • added 201-terminal ZZZ package information/data • updated title of SPRU146 to "<i>TMS320VC5501/5502/5503/5507/5509 DSP Inter-Integrated Circuit (I2C) Module Reference Guide</i>" • updated title of SPRU592 to "<i>TMS320VC5501/5502/5503/5507/5509/5510 DSP Multichannel Buffered Serial Port (McBSP) Reference Guide</i>" • moved "Package Thermal Resistance Characteristics" section to Chapter 6, Mechanical Data
<p>Section 1.1, Features:</p> <ul style="list-style-type: none"> • added 201-terminal ZZZ package to "Packages" feature
<p>Section 2.2.1:</p> <ul style="list-style-type: none"> • changed title from "Ball Grid Array (GZZ)" to "Ball Grid Array (GZZ and ZZZ)" • updated "The TMS320VC5502 is offered in ..." paragraph
<p>Figure 2-1:</p> <ul style="list-style-type: none"> • changed title from "201-Terminal GZZ Ball Grid Array (Bottom View)" to "201-Terminal GZZ and ZZZ Ball Grid Array (Bottom View)"
<p>Table 2-1:</p> <ul style="list-style-type: none"> • changed title from "201-Terminal GZZ Ball Grid Array Thermal Ball Locations" to "201-Terminal GZZ and ZZZ Ball Grid Array Thermal Ball Locations"
<p>Table 2-2:</p> <ul style="list-style-type: none"> • changed title from "201-Terminal GZZ Ball Grid Array Ball Assignments" to "201-Terminal GZZ and ZZZ Ball Grid Array Ball Assignments"
<p>Table 2-4, Signal Descriptions:</p> <ul style="list-style-type: none"> • updated FUNCTION of \overline{HCS}, $\overline{HDS1}$, $\overline{HDS2}$, and HPIENA
<p>Figure 3-2, TMS320VC5502 Memory Map:</p> <ul style="list-style-type: none"> • added "Byte Address" above addresses • added footnote about CE space size
<p>Updated Section 3.8, Host-Port Interface (HPI)</p>
<p>Section 3.10.6, Reset Sequence:</p> <ul style="list-style-type: none"> • updated "After all internal delay cycles have expired, ..." bulleted item
<p>Table 3-57, Peripheral Bus Controller Configuration Registers:</p> <ul style="list-style-type: none"> • added Time-Out Control Register (TOCR) at 0x9000
<p>Chapter 4, Support:</p> <ul style="list-style-type: none"> • added Section 4.1, Notices Concerning JTAG (IEEE 1149.1) Boundary Scan Test Capability • added Section 4.1.1, Initialization Requirements for Boundary Scan Test • added Section 4.1.2, Boundary Scan Description Language (BSDL) Model
<p>Section 4.2, Documentation Support:</p> <ul style="list-style-type: none"> • updated title of SPRU146 to "<i>TMS320VC5501/5502/5503/5507/5509 DSP Inter-Integrated Circuit (I2C) Module Reference Guide</i>" • updated title of SPRU592 to "<i>TMS320VC5501/5502/5503/5507/5509/5510 DSP Multichannel Buffered Serial Port (McBSP) Reference Guide</i>"

ADDITIONS/CHANGES/DELETIONS (continued)

<p>Table 5-43, HPI Read and Write Timing Requirements:</p> <ul style="list-style-type: none"> • H13 [$t_{w(DSL)}$]: deleted "K = 1", "K = 2", and "K = 4" column • H14 [$t_{w(DSH)}$]: <ul style="list-style-type: none"> – deleted "K = 1", "K = 2", and "K = 4" column – changed MIN value from 3P, P, and 1.75P to 2P (ns) • deleted "K = divider ratio ..." footnote • added "A host must not initiate transfer requests ..." footnote
<p>Table 5-44, HPI Read and Write Switching Characteristics:</p> <ul style="list-style-type: none"> • added "A host must not initiate transfer requests ..." footnote
<p>Chapter 6, Mechanical Data:</p> <ul style="list-style-type: none"> • deleted 201-terminal GZZ package drawing and 176-pin PGF package drawing • Mechanical drawings of the 201-terminal GZZ, 201-terminal ZZZ, and 176-pin PGF packages will be appended to this document via an automated process.
<p>Table 6-1, Thermal Resistance Characteristics (Ambient):</p> <ul style="list-style-type: none"> • changed "GZZ" to "GZZ, ZZZ" • updated "Adding thermal vias will significantly improve ..." footnote to include ZZZ package
<p>Table 6-2, Thermal Resistance Characteristics (Case):</p> <ul style="list-style-type: none"> • changed "GZZ" to "GZZ, ZZZ"
<p>Added Section 6.2, Packaging Information</p>

Contents

1	TMS320VC5502	15
1.1	Features	15
2	Introduction	16
2.1	Description	16
2.2	Pin Assignments.....	17
2.2.1	Ball Grid Array (GZZ and ZZZ)	17
2.2.2	Low-Profile Quad Flatpack (PGF)	19
2.2.3	Signal Descriptions.....	21
3	Functional Overview	33
3.1	Memory	34
3.1.1	On-Chip ROM	34
3.1.2	On-Chip Dual-Access RAM (DARAM)	35
3.1.3	Instruction Cache	35
3.1.4	Memory Map	36
3.1.5	Boot Configuration.....	37
3.2	Peripherals	37
3.3	Configurable External Ports and Signals.....	38
3.3.1	Parallel Port Mux	38
3.3.2	Host Port Mux.....	39
3.3.3	Serial Port 2 Mux	40
3.3.4	External Bus Selection Register (XBSR)	41
3.4	Configuration Examples	43
3.5	Timers.....	44
3.5.1	Timer Interrupts	45
3.5.2	Timer Pins	46
3.5.3	Timer Signal Selection Register (TSSR)	47
3.6	Universal Asynchronous Receiver/Transmitter (UART)	48
3.7	Inter-Integrated Circuit (I ² C) Module	50
3.8	Host-Port Interface (HPI)	51
3.9	Direct Memory Access (DMA) Controller.....	52
3.9.1	DMA Channel 0 Control Register (DMA_CCR0)	52
3.10	System Clock Generator	54
3.10.1	Input Clock Source	55
3.10.2	Clock Groups.....	57
3.10.3	EMIF Input Clock Selection	58
3.10.4	Changing the Clock Group Frequencies	58
3.10.5	PLL Control Registers	60
3.10.6	Reset Sequence	72
3.11	Idle Control	72
3.11.1	Clock Domains.....	73
3.11.2	IDLE Procedures	73
3.11.3	Module Behavior at Entering IDLE State	75
3.11.4	Wake-Up Procedure	76
3.11.5	Auto-Wakeup/Idle Function for McBSP and DMA.....	78
3.11.6	Clock State of Multiplexed Modules.....	78

3.11.7	IDLE Control and Status Registers.....	79
3.12	General-Purpose I/O (GPIO)	87
3.12.1	General-Purpose I/O Port	87
3.12.2	Parallel Port General-Purpose I/O (PGPIO)	89
3.13	External Bus Control Register	95
3.13.1	External Bus Control Register (XBCR)	97
3.14	Internal Ports and System Registers	98
3.14.1	XPORT Interface	98
3.14.2	DPORT Interface.....	100
3.14.3	IPORT Interface.....	102
3.14.4	System Configuration Register (CONFIG).....	103
3.14.5	Time-Out Control Register (TOCR).....	104
3.15	CPU Memory-Mapped Registers	105
3.16	Peripheral Registers.....	107
3.17	Interrupts	120
3.17.1	IFR and IER Registers	121
3.17.2	Interrupt Timing	122
3.17.3	Interrupt Acknowledge.....	122
3.18	Notice Concerning TCK.....	123
4	Support	125
4.1	Notices Concerning JTAG (IEEE 1149.1) Boundary Scan Test Capability	125
4.1.1	Initialization Requirements for Boundary Scan Test	125
4.1.2	Boundary Scan Description Language (BSDL) Model	125
4.2	Documentation Support.....	125
4.3	Device and Development-Support Tool Nomenclature	126
5	Specifications	127
5.1	Electrical Specifications	127
5.2	Absolute Maximum Ratings Over Operating Case Temperature Range (Unless Otherwise Noted)	127
5.3	Recommended Operating Conditions.....	127
5.4	Electrical Characteristics Over Recommended Operating Case Temperature Range (Unless Otherwise Noted)	128
5.5	Timing Parameter Symbology.....	129
5.6	Clock Options	130
5.6.1	Internal System Oscillator With External Crystal.....	130
5.6.2	Layout Considerations.....	131
5.6.3	Clock Generation in Bypass Mode (APLL Disabled)	132
5.6.4	Clock Generation in Lock Mode (APLL Synthesis Enabled)	133
5.6.5	EMIF Clock Options	134
5.7	Memory Timings	136
5.7.1	Asynchronous Memory Timings.....	136
5.7.2	Programmable Synchronous Interface Timings	139
5.7.3	Synchronous DRAM Timings.....	142
5.8	$\overline{\text{HOLD}}/\overline{\text{HOLDA}}$ Timings	147
5.9	Reset Timings	148
5.10	External Interrupt and Interrupt Acknowledge ($\overline{\text{IACK}}$) Timings	150
5.11	XF Timings.....	151
5.12	General-Purpose Input/Output (GPIOx) Timings	152

5.13	Parallel General-Purpose Input/Output (PGPIOx) Timings.....	153
5.14	TIM0/TIM1/WDTOUT Timings	154
5.14.1	TIM0/TIM1/WDTOUT Timer Pin Timings	154
5.14.2	TIM0/TIM1/WDTOUT General-Purpose I/O Timings	155
5.14.3	TIM0/TIM1/WDTOUT Interrupt Timings.....	157
5.15	Multichannel Buffered Serial Port (McBSP) Timings.....	158
5.15.1	McBSP Transmit and Receive Timings	158
5.15.2	McBSP General-Purpose I/O Timings	161
5.15.3	McBSP as SPI Master or Slave Timings.....	162
5.16	Host-Port Interface Timings	169
5.16.1	HPI Read and Write Timings	169
5.16.2	HPI General-Purpose I/O Timings	176
5.16.3	HPI.FAS Interrupt Timings.....	178
5.17	Inter-Integrated Circuit (I ² C) Timings.....	179
5.18	Universal Asynchronous Receiver/Transmitter (UART) Timings	181
6	Mechanical Data	182
6.1	Package Thermal Resistance Characteristics	182
6.2	Packaging Information	183

List of Figures

2-1	201-Terminal GZZ and ZZZ Ball Grid Array (Bottom View)	17
2-2	176-Pin PGF Low-Profile Quad Flatpack (Top View)	19
3-1	TMS320VC5502 Functional Block Diagram	33
3-2	TMS320VC5502 Memory Map	36
3-3	External Bus Selection Register Layout (0x6C00).....	41
3-4	Configuration Example A (GPIO6 = 1 and GPIO7 = 1 at Reset)	43
3-5	Configuration Example B (GPIO6 = 0 and GPIO7 = 0 at Reset)	44
3-6	Timer Interrupts.....	45
3-7	Timer Pins.....	46
3-8	Timer Signal Selection Register Layout (0x8000)	47
3-9	UART Functional Block Diagram.....	49
3-10	I ² C Module Block Diagram	50
3-11	DMA Channel 0 Control Register Layout (0x0C01)	52
3-12	System Clock Generator	54
3-13	Internal System Oscillator With External Crystal.....	55
3-14	Clock Generator Registers.....	59
3-15	PLL Control/Status Register Layout (0x1C80)	61
3-16	PLL Multiplier Control Register Layout (0x1C88)	62
3-17	PLL Divider 0 Register Layout (0x1C8A)	63
3-18	PLL Divider 1 Register Layout (0x1C8C)	65
3-19	PLL Divider 2 Register Layout (0x1C8E)	66
3-20	PLL Divider 3 Register Layout (0x1C90).....	67
3-21	Oscillator Divider1 Register Layout (0x1C92)	67
3-22	Oscillator Wakeup Control Register Layout (0x1C98)	69
3-23	CLKOUT3 Select Register Layout (0x1C82)	70
3-24	CLKOUT Selection Register Layout (0x8400).....	71
3-25	Clock Mode Control Register Layout (0x8C00)	71
3-26	IDLE Configuration Register Layout (0x0001).....	79
3-27	IDLE Status Register Layout (0x0002)	81
3-28	Peripheral IDLE Control Register Layout (0x9400).....	82
3-29	Peripheral IDLE Status Register Layout (0x9401).....	85
3-30	Master IDLE Control Register Layout (0x9402).....	86
3-31	Master IDLE Status Register Layout (0x9403).....	86
3-32	GPIO Direction Register Layout (0x3400)	87
3-33	GPIO Data Register Layout (0x3401)	88
3-34	Parallel GPIO Enable Register 0 Layout (0x4400)	90
3-35	Parallel GPIO Direction Register 0 Layout (0x4401)	90
3-36	Parallel GPIO Data Register 0 Layout (0x4402)	91

3-37	Parallel GPIO Enable Register 1 Layout (0x4403)	92
3-38	Parallel GPIO Direction Register 1 Layout (0x4404)	93
3-39	Parallel GPIO Data Register 1 Layout (0x4405)	93
3-40	Parallel GPIO Enable Register 2 Layout (0x4406)	94
3-41	Parallel GPIO Direction Register 2 Layout (0x4407)	94
3-42	Parallel GPIO Data Register 2 Layout (0x4408)	95
3-43	External Bus Control Register Layout (0x8800).....	97
3-44	XPORT Configuration Register Layout (0x0100)	99
3-45	XPORT Bus Error Register Layout (0x0102)	100
3-46	DPORT Configuration Register Layout (0x0200).....	101
3-47	DPORT Bus Error Register Layout (0x0202)	101
3-48	IPORT Bus Error Register Layout (0x0302)	102
3-49	System Configuration Register Layout (0x07FD)	103
3-50	Time-Out Control Register Layout (0x9000)	104
3-51	IFR0, IER0, DBIFR0, and DBIER0 Registers Layout.....	122
3-52	IFR1, IER1, DBIFR1, and DBIER1 Registers Layout.....	122
3-53	Bad TCK Transition	123
3-54	Good TCK Transition.....	124
3-55	Sample Noise Filtering Circuitry	124
5-1	3.3-V Test Load Circuit	129
5-2	Internal System Oscillator With External Crystal	130
5-3	Bypass Mode Clock Timings	132
5-4	External Multiply-by-N Clock Timings	134
5-5	ECLKIN Timings for EMIF	135
5-6	ECLKOUT1 Timings for EMIF Module.....	135
5-7	ECLKOUT2 Timings for EMIF Module.....	135
5-8	Asynchronous Memory Read Timings	137
5-9	Asynchronous Memory Write Timings	138
5-10	Programmable Synchronous Interface Read Timings (With Read Latency = 2).....	140
5-11	Programmable Synchronous Interface Write Timings (With Write Latency = 0)	141
5-12	Programmable Synchronous Interface Write Timings (With Write Latency = 1)	141
5-13	SDRAM Read Command (CAS Latency 3)	143
5-14	SDRAM Write Command	143
5-15	SDRAM ACTV Command	144
5-16	SDRAM DCAB Command	144
5-17	SDRAM DEAC Command	145
5-18	SDRAM REFR Command	145
5-19	SDRAM MRS Command	146
5-20	SDRAM Self-Refresh Timings	146
5-21	EMIF.HOLD/HOLDA Timings	147
5-22	Reset Timings	149

5-23	External Interrupt Timings	150
5-24	External Interrupt Acknowledge Timings	150
5-25	XF Timings	151
5-26	General-Purpose Input/Output (GPIOx) Signal Timings.....	152
5-27	Parallel General-Purpose Input/Output (PGPIOx) Signal Timings	153
5-28	TIM0/TIM1/WDTOUT Timings When Configured as Timer Input Pins	154
5-29	TIM0/TIM1/WDTOUT Timings When Configured as Timer Output Pins	154
5-30	TIM0/TIM1/WDTOUT General-Purpose I/O Timings	156
5-31	TIM0/TIM1/WDTOUT Interrupt Timings	157
5-32	McBSP Receive Timings	160
5-33	McBSP Transmit Timings.....	160
5-34	McBSP General-Purpose I/O Timings	161
5-35	McBSP Timings as SPI Master or Slave: CLKSTP = 10b, CLKXP = 0	163
5-36	McBSP Timings as SPI Master or Slave: CLKSTP = 11b, CLKXP = 0	165
5-37	McBSP Timings as SPI Master or Slave: CLKSTP = 10b, CLKXP = 1	166
5-38	McBSP Timings as SPI Master or Slave: CLKSTP = 11b, CLKXP = 1	168
5-39	Non-Multiplexed Read/Write Timings	171
5-40	Multiplexed Read Timings Using HPI. $\overline{H\!A\!S}$	172
5-41	Multiplexed Read Timings With HPI. $\overline{H\!A\!S}$ Held High	173
5-42	Multiplexed Write Timings Using HPI. $\overline{H\!A\!S}$	174
5-43	Multiplexed Write Timings With HPI. $\overline{H\!A\!S}$ Held High.....	175
5-44	$\overline{H\!I\!N\!T}$ Timings.....	175
5-45	HPI General-Purpose I/O Timings.....	177
5-46	HPI. $\overline{H\!A\!S}$ Interrupt Timings	178
5-47	I ² C Receive Timings.....	179
5-48	I ² C Transmit Timings.....	180
5-49	UART Timings.....	181

List of Tables

2-1	201-Terminal GZZ and ZZZ Ball Grid Array Thermal Ball Locations.....	17
2-2	201-Terminal GZZ and ZZZ Ball Grid Array Ball Assignments	18
2-3	176-Pin PGF Low-Profile Quad Flatpack Pin Assignments	20
2-4	Signal Descriptions	21
3-1	On-Chip ROM Layout.....	34
3-2	DARAM Blocks	35
3-3	Boot Configuration Selection Via the BOOTM[2:0] Pins	37
3-4	TMS320VC5502 Routing of Parallel Port Mux Signals	39
3-5	TMS320VC5502 Routing of Host Port Mux Signals.....	40
3-6	TMS320VC5502 Routing of Serial Port 2 Mux Signals	40
3-7	External Bus Selection Register Bit Field Description.....	42
3-8	Timer Signal Selection Register Bit Field Description.....	47
3-9	Synchronization Control Function.....	53
3-10	Recommended Crystal Parameters	56
3-11	Internal Clocks Frequency Ranges	57
3-12	PLL Control Registers	60
3-13	PLL Control/Status Register Bit Field Description	61
3-14	PLL Multiplier Control Register Bit Field Description	62
3-15	PLL Divider 0 Register Bit Field Description.....	63
3-16	PLL Divider 1 Register Bit Field Description.....	65
3-17	PLL Divider 2 Register Bit Field Description.....	66
3-18	PLL Divider 3 Register Bit Field Description.....	67
3-19	Oscillator Divider1 Register Bit Field Description	68
3-20	Oscillator Wakeup Control Register Bit Field Description	69
3-21	CLKOUT3 Select Register Bit Field Description	70
3-22	CLKOUT Selection Register Bit Field Description	71
3-23	Clock Mode Control Register Bit Field Description	71
3-24	Number of Reference Clock Cycles Needed Until Program Flow Begins	72
3-25	Peripheral Behavior at Entering IDLE State	75
3-26	Wake-Up Procedures.....	78
3-27	Clock Domain Memory-Mapped Registers	79
3-28	IDLE Configuration Register Bit Field Description	80
3-29	IDLE Status Register Bit Field Description	81
3-30	Peripheral IDLE Control Register Bit Field Description	83
3-31	Peripheral IDLE Status Register Bit Field Description	85
3-32	Master IDLE Control Register Bit Field Description	86
3-33	Master IDLE Status Register Bit Field Description	87
3-34	GPIO Direction Register Bit Field Description.....	88
3-35	GPIO Data Register Bit Field Description.....	88

3-36	TMS320VC5502 PGPIO Cross-Reference	89
3-37	Parallel GPIO Enable Register 0 Bit Field Description	90
3-38	Parallel GPIO Direction Register 0 Bit Field Description.....	90
3-39	Parallel GPIO Data Register 0 Bit Field Description	91
3-40	Parallel GPIO Enable Register 1 Bit Field Description	92
3-41	Parallel GPIO Direction Register 1 Bit Field Description.....	93
3-42	Parallel GPIO Data Register 1 Bit Field Description	93
3-43	Parallel GPIO Enable Register 2 Bit Field Description	94
3-44	Parallel GPIO Direction Register 2 Bit Field Description.....	94
3-45	Parallel GPIO Data Register 2 Bit Field Description	95
3-46	Pins With Pullups, Pulldowns, and Bus Holders	96
3-47	External Bus Control Register Bit Field Description	97
3-48	I/O Addresses Under Scope of XPORT.....	98
3-49	XPORT Configuration Register Bit Field Description.....	99
3-50	XPORT Bus Error Register Bit Field Description	100
3-51	DPORT Configuration Register Bit Field Description	101
3-52	DPORT Bus Error Register Bit Field Description.....	102
3-53	IPORT Bus Error Register Bit Field Description	102
3-54	System Configuration Register Bit Field Description	103
3-55	Time-Out Control Register Bit Field Description.....	104
3-56	CPU Memory-Mapped Registers	105
3-57	Peripheral Bus Controller Configuration Registers.....	107
3-58	External Memory Interface Registers	107
3-59	DMA Configuration Registers	109
3-60	Instruction Cache Registers	112
3-61	Trace FIFO	112
3-62	Timer Signal Selection Register	112
3-63	Timers.....	112
3-64	Multichannel Serial Port #0.....	114
3-65	Multichannel Serial Port #1	115
3-66	Multichannel Serial Port #2.....	116
3-67	HPI.....	117
3-68	GPIO	117
3-69	Device Revision ID	118
3-70	I ² C	118
3-71	UART	119
3-72	External Bus Selection.....	119
3-73	Clock Mode Register	119
3-74	CLKOUT Selector Register.....	120
3-75	Clock Controller Registers.....	120
3-76	IDLE Control Registers	120

3-77	Interrupt Table	120
5-1	Recommended Crystal Parameters	130
5-2	CLKIN in Bypass Mode Timing Requirements.....	132
5-3	CLKOUT in Bypass Mode Switching Characteristics	132
5-4	CLKIN in Lock Mode Timing Requirements.....	133
5-5	CLKOUT in Lock Mode Switching Characteristics	133
5-6	EMIF Timing Requirements for ECLKIN.....	134
5-7	EMIF Switching Characteristics for ECLKOUT1.....	134
5-8	EMIF Switching Characteristics for ECLKOUT2.....	135
5-9	Asynchronous Memory Cycle Timing Requirements for ECLKIN	136
5-10	Asynchronous Memory Cycle Switching Characteristics for ECLKOUT1	136
5-11	Programmable Synchronous Interface Timing Requirements	139
5-12	Programmable Synchronous Interface Switching Characteristics.....	139
5-13	Synchronous DRAM Cycle Timing Requirements.....	142
5-14	Synchronous DRAM Cycle Switching Characteristics	142
5-15	EMIF.HOLD/HOLDA Timing Requirements	147
5-16	EMIF.HOLD/HOLDA Switching Characteristics	147
5-17	Reset Timing Requirements.....	148
5-18	Reset Switching Characteristics	148
5-19	External Interrupt and Interrupt Acknowledge Timing Requirements.....	150
5-20	External Interrupt and Interrupt Acknowledge Switching Characteristics	150
5-21	XF Switching Characteristics.....	151
5-22	GPIO Pins Configured as Inputs Timing Requirements	152
5-23	GPIO Pins Configured as Outputs Switching Characteristics	152
5-24	PGPIO Pins Configured as Inputs Timing Requirements	153
5-25	PGPIO Pins Configured as Outputs Switching Characteristics.....	153
5-26	TIM0/TIM1/WDTOUT Pins Configured as Timer Input Pins Timing Requirements.....	154
5-27	TIM0/TIM1/WDTOUT Pins Configured as Timer Output Pins Switching Characteristics	154
5-28	TIM0/TIM1/WDTOUT General-Purpose I/O Timing Requirements	155
5-29	TIM0/TIM1/WDTOUT General-Purpose I/O Switching Characteristics.....	155
5-30	TIM0/TIM1/WDTOUT Interrupt Timing Requirements	157
5-31	McBSP Transmit and Receive Timing Requirements	158
5-32	McBSP Transmit and Receive Switching Characteristics	159
5-33	McBSP General-Purpose I/O Timing Requirements	161
5-34	McBSP General-Purpose I/O Switching Characteristics	161
5-35	McBSP as SPI Master or Slave Timing Requirements (CLKSTP = 10b, CLKXP = 0)	162
5-36	McBSP as SPI Master or Slave Switching Characteristics (CLKSTP = 10b, CLKXP = 0).....	162
5-37	McBSP as SPI Master or Slave Timing Requirements (CLKSTP = 11b, CLKXP = 0)	164
5-38	McBSP as SPI Master or Slave Switching Characteristics (CLKSTP = 11b, CLKXP = 0).....	164
5-39	McBSP as SPI Master or Slave Timing Requirements (CLKSTP = 10b, CLKXP = 1)	165
5-40	McBSP as SPI Master or Slave Switching Characteristics (CLKSTP = 10b, CLKXP = 1).....	165

5-41	McBSP as SPI Master or Slave Timing Requirements (CLKSTP = 11b, CLKXP = 1)	167
5-42	McBSP as SPI Master or Slave Switching Characteristics (CLKSTP = 11b, CLKXP = 1).....	167
5-43	HPI Read and Write Timing Requirements	169
5-44	HPI Read and Write Switching Characteristics	170
5-45	HPI General-Purpose I/O Timing Requirements	176
5-46	HPI General-Purpose I/O Switching Characteristics	176
5-47	HPI. $\overline{\text{H\!A\!S}}$ Interrupt Timing Requirements	178
5-48	I ² C Signals (SDA and SCL) Timing Requirements.....	179
5-49	I ² C Signals (SDA and SCL) Switching Characteristics	180
5-50	UART Timing Requirements	181
5-51	UART Switching Characteristics.....	181
6-1	Thermal Resistance Characteristics (Ambient)	182
6-2	Thermal Resistance Characteristics (Case).....	183

TMS320VC5502
Fixed-Point Digital Signal Processor

SPRS166H–APRIL 2001–REVISED NOVEMBER 2004

1 TMS320VC5502

1.1 Features

- **High-Performance, Low-Power, Fixed-Point TMS320C55x™ Digital Signal Processor (DSP)**
 - 3.33-/5-ns Instruction Cycle Time
 - 300-/200-MHz Clock Rate
 - 16K-Byte Instruction Cache (I-Cache)
 - One/Two Instructions Executed per Cycle
 - Dual Multipliers [Up to 600 Million Multiply-Accumulates Per Second (MMACS)]
 - Two Arithmetic/Logic Units (ALUs)
 - One Program Bus, Three Internal Data/Operand Read Buses, and Two Internal Data/Operand Write Buses
- Instruction Cache (16K Bytes)
- 32K x 16-Bit On-Chip RAM That is Composed of Eight Blocks of 4K x 16-Bit Dual-Access RAM (DARAM) (64K Bytes)
- 16K x 16-Bit One-Wait-State On-Chip ROM (32K Bytes)
- 8M x 16-Bit Maximum Addressable External Memory Space
- 32-Bit External Parallel Bus Memory Supporting External Memory Interface (EMIF) With General-Purpose Input/Output (GPIO) Capabilities and Glueless Interface to:
 - Asynchronous Static RAM (SRAM)
 - Asynchronous EPROM
 - Synchronous DRAM (SDRAM)
 - Synchronous Burst RAM (SBRAM)
- Emulation/Debug Trace Capability Saves Last 16 Program Counter (PC) Discontinuities and Last 32 PC Values
- Programmable Low-Power Control of Six Device Functional Domains
- On-Chip Peripherals
 - Six-Channel Direct Memory Access (DMA) Controller
 - Three Multichannel Buffered Serial Ports (McBSPs)
 - Programmable Analog Phase-Locked Loop (APLL) Clock Generator
 - General-Purpose I/O (GPIO) Pins and a Dedicated Output Pin (XF)
 - 8-Bit/16-Bit Parallel Host-Port Interface (HPI)
 - Four Timers
 - Two 64-Bit General-Purpose Timers
 - 64-Bit Programmable Watchdog Timer
 - 64-Bit DSP/BIOS™ Counter
 - Inter-Integrated Circuit (I²C) Interface
 - Universal Asynchronous Receiver/Transmitter (UART)
- On-Chip Scan-Based Emulation Logic
- IEEE Std 1149.1⁽¹⁾ (JTAG) Boundary Scan Logic
- Packages:
 - 176-Terminal LQFP (Low-Profile Quad Flatpack) (PGF Suffix)
 - 201-Terminal MicroStar BGA™ (Ball Grid Array) (GZZ and ZZZ Suffixes)
- 3.3-V I/O Supply Voltage
- 1.26-V Core Supply Voltage

(1) IEEE Standard 1149.1 - 1990 Standard Test Access Port and Boundary Scan Architecture



Please be aware that an important notice concerning availability, standard warranty, and use in critical applications of Texas Instruments semiconductor products and disclaimers thereto appears at the end of this document.

TMS320C55x, DSP/BIOS, MicroStar BGA, C55x, eXpressDSP, Code Composer Studio, RTDX, XDS510, TMS320C54x, C54x, TMS320, TMS320C5000 are trademarks of Texas Instruments.

I²C bus is a trademark of Koninklijke Philips Electronics N.V.

All trademarks are the property of their respective owners.

2 Introduction

This section describes the main features of the TMS320VC5502 and gives a brief description of the device.

NOTE

This document is designed to be used in conjunction with the *TMS320C55x DSP CPU Reference Guide* (literature number SPRU371).

2.1 Description

The TMS320VC5502 (5502) fixed-point digital signal processor (DSP) is based on the TMS320C55x™ DSP generation CPU processor core. The C55x™ DSP architecture achieves high performance and low power through increased parallelism and total focus on reduction in power dissipation. The CPU supports an internal bus structure that is composed of one program bus, three data read buses, two data write buses, and additional buses dedicated to peripheral and DMA activity. These buses provide the ability to perform up to three data reads and two data writes in a single cycle. In parallel, the DMA controller can perform data transfers independent of the CPU activity.

The C55x™ CPU provides two multiply-accumulate (MAC) units, each capable of 17-bit x 17-bit multiplication in a single cycle. A central 40-bit arithmetic/logic unit (ALU) is supported by an additional 16-bit ALU. Use of the ALUs is under instruction set control, providing the ability to optimize parallel activity and power consumption. These resources are managed in the Address Unit (AU) and Data Unit (DU) of the C55x CPU.

The C55x DSP generation supports a variable byte width instruction set for improved code density. The Instruction Unit (IU) performs 32-bit program fetches from internal or external memory and queues instructions for the Program Unit (PU). The Program Unit decodes the instructions, directs tasks to AU and DU resources, and manages the fully protected pipeline. Predictive branching capability avoids pipeline flushes on execution of conditional instructions.

The 5502 peripheral set includes an external memory interface (EMIF) that provides glueless access to asynchronous memories like EPROM and SRAM, as well as to high-speed, high-density memories such as synchronous DRAM and synchronous burst RAM. Additional peripherals include UART, watchdog timer, and an I-Cache. Three full-duplex multichannel buffered serial ports (McBSPs) provide glueless interface to a variety of industry-standard serial devices, and multichannel communication with up to 128 separately enabled channels. The host-port interface (HPI) is a 8-/16-bit parallel interface used to provide host processor access to 32K words of internal memory on the 5502. The HPI can be configured in either multiplexed or non-multiplexed mode to provide glueless interface to a wide variety of host processors. The DMA controller provides data movement for six independent channel contexts without CPU intervention. Two general-purpose timers, eight dedicated general-purpose I/O (GPIO) pins, and analog phase-locked loop (APLL) clock generation are also included.

The 5502 is supported by the industry's award-winning eXpressDSP™, Code Composer Studio™ Integrated Development Environment (IDE), DSP/BIOS™, Texas Instruments' algorithm standard, and the industry's largest third-party network. The Code Composer Studio™ IDE features code generation tools that include a C Compiler, Visual Linker, simulator, RTDX™, XDS510™ emulation device drivers, and evaluation modules. The 5502 is also supported by the C55x™ DSP Library, which features more than 50 foundational software kernels (FIR filters, IIR filters, FFTs, and various math functions) as well as chip and board support libraries.

2.2 Pin Assignments

2.2.1 Ball Grid Array (GZZ and ZZZ)

The TMS320VC5502 is offered in two 201-terminal ball grid array (BGA) packages, both of which include 25 thermal balls to improve thermal dissipation. Except for their Eco-Status (refer to Section 6.2, Packaging Information), both packages are essentially the same. Figure 2-1 illustrates the ball locations for both BGA packages. Table 2-1 lists the locations of the thermal balls and Table 2-2 lists the signal names and terminal numbers.

NOTE

Some TMX samples were shipped in the GGW package. For more information on the GGW package, see the *TMS320VC5502 and TMS320VC5501 Digital Signal Processors Silicon Errata* (literature number SPRZ020D or later).

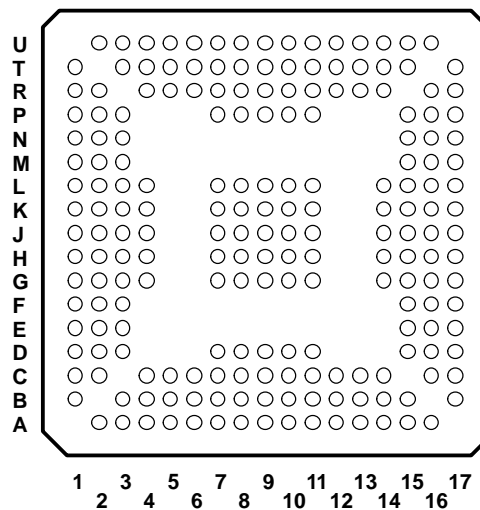


Figure 2-1. 201-Terminal GZZ and ZZZ Ball Grid Array (Bottom View)

Table 2-1. 201-Terminal GZZ and ZZZ Ball Grid Array Thermal Ball Locations⁽¹⁾

BALL NO.	BALL NO.	BALL NO.	BALL NO.	BALL NO.
G7	G8	G9	G10	G11
H7	H8	H9	H10	H11
J7	J8	J9	J10	J11
K7	K8	K9	K10	K11
L7	L8	L9	L10	L11

(1) For best device thermal performance:

- An array of 25 land pads must be added on the top layer of the PCB where the package will be mounted.
- The PCB land pads should be the same diameter as the vias in the package substrate for optimal Board Level Reliability Temperature Cycle performance.
- The land pads on the PCB should be connected together and to PCB through-holes. The PCB through-holes should in turn be connected to the ground plane for heat dissipation.
- A solid internal plane is preferred for spreading the heat.

Refer to the *MicroStar BGA™ Packaging Reference Guide* (literature number SSSYZ015) for guidance on PCB design, surface mount, and reliability considerations.

Table 2-2. 201-Terminal GZZ and ZZZ Ball Grid Array Ball Assignments⁽¹⁾

BALL NO.	SIGNAL NAME	BALL NO.	SIGNAL NAME	BALL NO.	SIGNAL NAME	BALL NO.	SIGNAL NAME
B1	GPIO6	U2	HCNTL1	T17	A19	A16	D16
C2	GPIO4	T3	HCNTL0	R16	A18	B15	D15
C1	GPIO2	U3	V _{SS}	R17	V _{SS}	A15	D14
D3	GPIO1	R4	HR/ \overline{W}	P15	A17	C14	D13
D2	GPIO0	T4	HDS2	P16	A16	B14	D12
D1	TIM1	U4	CV _{DD}	P17	DV _{DD}	A14	D11
E3	TIM0	R5	HDS1	N15	A15	C13	D10
E2	$\overline{INT0}$	T5	HRDY	N16	A14	B13	D9
E1	CV _{DD}	U5	DV _{DD}	N17	V _{SS}	A13	DV _{DD}
F3	$\overline{INT1}$	R6	CLKOUT	M15	A13	C12	D8
F2	$\overline{INT2}$	T6	XF	M16	A12	B12	D7
F1	DV _{DD}	U6	V _{SS}	M17	CV _{DD}	A12	V _{SS}
G4	$\overline{INT3}$	P7	C15	L14	A11	D11	D6
G3	$\overline{NMI}/\overline{WDTOOUT}$	R7	C14	L15	A10	C11	D5
G2	\overline{TACK}	T7	\overline{HINT}	L16	A9	B11	D4
G1	V _{SS}	U7	PV _{DD}	L17	A8	A11	CV _{DD}
H1	CLKR0	U8	NC ⁽²⁾	K17	DV _{DD}	A10	D3
H4	DR0	P8	X1	K14	A7	D10	D2
H3	FSR0	R8	X2/CLKIN	K15	A6	C10	D1
H2	CLKX0	T8	EMIFCLKS	K16	A5	B10	D0
J1	CV _{DD}	U9	V _{SS}	J17	V _{SS}	A9	V _{SS}
J4	DX0	P9	C13	J14	A4	D9	EMU1/ \overline{OFF}
J3	FSX0	R9	C12	J15	A3	C9	EMU0
J2	CLKR1	T9	C11	J16	A2	B9	TDO
K1	DR1	U10	C10	H17	CV _{DD}	A8	V _{SS}
K2	FSR1	T10	C9	H16	D31	B8	TDI
K4	DX1	P10	C8	H14	D30	D8	\overline{TRST}
K3	CLKX1	R10	C7	H15	D29	C8	TCK
L1	V _{SS}	U11	V _{SS}	G17	V _{SS}	A7	TMS
L2	FSX1	T11	ECLKIN	G16	D28	B7	\overline{RESET}
L3	DR2	R11	ECLKOUT2	G15	D27	C7	HPIENA
L4	DX2	P11	ECLKOUT1	G14	D26	D7	HD7
M1	CV _{DD}	U12	CV _{DD}	F17	CV _{DD}	A6	CV _{DD}
M2	SP3	T12	C6	F16	D25	B6	HD6
M3	SP2	R12	C5	F15	D24	C6	HD5
N1	DV _{DD}	U13	DV _{DD}	E17	DV _{DD}	A5	DV _{DD}
N2	SP1	T13	C4	E16	D23	B5	HD4
N3	SP0	R13	C3	E15	D22	C5	HD3
P1	V _{SS}	U14	V _{SS}	D17	D21	A4	CV _{DD}
P2	SCL	T14	C2	D16	D20	B4	HD2
P3	SDA	R14	C1	D15	D19	C4	HD1
R1	HC1	U15	C0	C17	V _{SS}	A3	V _{SS}
R2	HC0	T15	A21	C16	D18	B3	HD0
T1	\overline{HCS}	U16	A20	B17	D17	A2	GPIO7

(1) CV_{DD} is core V_{DD}, DV_{DD} is I/O V_{DD}, and PV_{DD} is PLL V_{DD}.

(2) NC = No Connect

2.2.2 Low-Profile Quad Flatpack (PGF)

The TMS320VC5502 is offered in a 176-pin low-profile quad flatpack (LQFP). Figure 2-2 illustrates the pin locations for the 176-pin LQFP. Table 2-3 lists the signal names and pin numbers.

NOTE

TMS320VC5502PGF has completed Temp Cycle reliability qualification testing with no failures through 1500 cycles of -55°C to 125°C following an EIA/JEDEC Moisture Sensitivity Level 4 pre-condition at $220+5/-0^{\circ}\text{C}$ peak reflow. Exceeding this peak reflow temperature condition or storage and handling requirements may result in either immediate device failure post-reflow, due to package/die material delamination ("popcorning"), or degraded Temp cycle life performance.

Please note that Texas Instruments (TI) also provides MSL, peak reflow and floor life information on a bar-code label affixed to dry-pack shipping bags. Shelf life, temperature and humidity storage conditions and re-bake instructions are prominently displayed on a nearby screen-printed label.

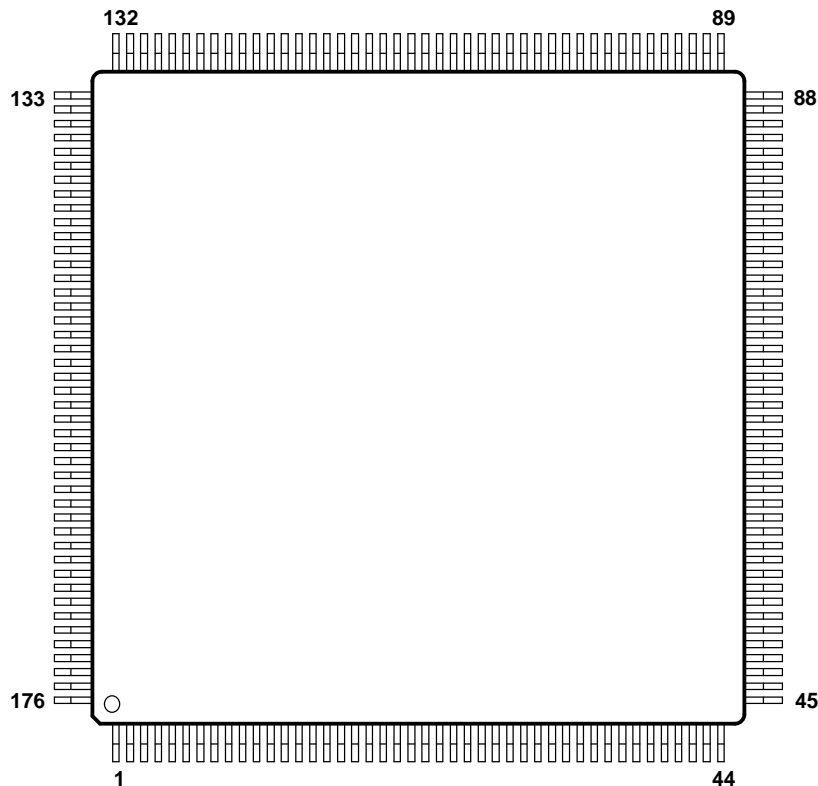


Figure 2-2. 176-Pin PGF Low-Profile Quad Flatpack (Top View)

Table 2-3. 176-Pin PGF Low-Profile Quad Flatpack Pin Assignments⁽¹⁾

PIN NO.	SIGNAL NAME	PIN NO.	SIGNAL NAME	PIN NO.	SIGNAL NAME	PIN NO.	SIGNAL NAME
1	GPIO6	45	HCNTL1	89	A19	133	D16
2	GPIO4	46	HCNTL0	90	A18	134	D15
3	GPIO2	47	V _{SS}	91	V _{SS}	135	D14
4	GPIO1	48	HR/ \overline{W}	92	A17	136	D13
5	GPIO0	49	$\overline{HDS2}$	93	A16	137	D12
6	TIM1	50	CV _{DD}	94	DV _{DD}	138	D11
7	TIM0	51	$\overline{HDS1}$	95	A15	139	D10
8	$\overline{INT0}$	52	HRDY	96	A14	140	D9
9	CV _{DD}	53	DV _{DD}	97	V _{SS}	141	DV _{DD}
10	$\overline{INT1}$	54	CLKOUT	98	A13	142	D8
11	$\overline{INT2}$	55	XF	99	A12	143	D7
12	DV _{DD}	56	V _{SS}	100	CV _{DD}	144	V _{SS}
13	$\overline{INT3}$	57	C15	101	A11	145	D6
14	$\overline{NMI}/\overline{WDTOU}$	58	C14	102	A10	146	D5
15	\overline{IACK}	59	\overline{HINT}	103	A9	147	D4
16	V _{SS}	60	PV _{DD}	104	A8	148	CV _{DD}
17	CLKR0	61	NC ⁽²⁾	105	DV _{DD}	149	D3
18	DR0	62	X1	106	A7	150	D2
19	FSR0	63	X2/CLKIN	107	A6	151	D1
20	CLKX0	64	EMIFCLKS	108	A5	152	D0
21	CV _{DD}	65	V _{SS}	109	V _{SS}	153	V _{SS}
22	DX0	66	C13	110	A4	154	EMU1/ \overline{OFF}
23	FSX0	67	C12	111	A3	155	EMU0
24	CLKR1	68	C11	112	A2	156	TDO
25	DR1	69	C10	113	CV _{DD}	157	V _{SS}
26	FSR1	70	C9	114	D31	158	TDI
27	DX1	71	C8	115	D30	159	\overline{TRST}
28	CLKX1	72	C7	116	D29	160	TCK
29	V _{SS}	73	V _{SS}	117	V _{SS}	161	TMS
30	FSX1	74	ECLKIN	118	D28	162	\overline{RESET}
31	DR2	75	ECLKOUT2	119	D27	163	HPIENA
32	DX2	76	ECLKOUT1	120	D26	164	HD7
33	CV _{DD}	77	CV _{DD}	121	CV _{DD}	165	CV _{DD}
34	SP3	78	C6	122	D25	166	HD6
35	SP2	79	C5	123	D24	167	HD5
36	DV _{DD}	80	DV _{DD}	124	DV _{DD}	168	DV _{DD}
37	SP1	81	C4	125	D23	169	HD4
38	SP0	82	C3	126	D22	170	HD3
39	V _{SS}	83	V _{SS}	127	D21	171	CV _{DD}
40	SCL	84	C2	128	D20	172	HD2
41	SDA	85	C1	129	D19	173	HD1
42	HC1	86	C0	130	V _{SS}	174	V _{SS}
43	HC0	87	A21	131	D18	175	HD0
44	\overline{HCS}	88	A20	132	D17	176	GPIO7

(1) CV_{DD} is core V_{DD}, DV_{DD} is I/O V_{DD}, and PV_{DD} is PLL V_{DD}.

(2) NC = No Connect

2.2.3 Signal Descriptions

Table 2-4 lists each signal, function, and operating mode(s) grouped by function. See Section 2.2, Pin Assignments, for exact pin locations based on package type.

Table 2-4. Signal Descriptions

PIN NAME	MULTIPLEXED SIGNAL NAME	PIN TYPE ⁽¹⁾	OTHER ⁽²⁾	FUNCTION
Parallel Port — Address Bus				
A[21:18]		I/O/Z	C, D, E, F, G, H, M	The A[21:18] pins of the Parallel Port serve one of two functions: parallel general-purpose input/output (PGPIO) signals PGPIO[3:0] or external memory interface (EMIF) address bus signals EMIF.A[21:18]. The function of the A[21:18] pins is determined by the state of the GPIO6 pin during reset. The A[21:18] pins are set to PGPIO[3:0] if GPIO6 is low during reset. The A[21:18] pins are set to EMIF.A[21:18] if GPIO6 is high during reset. The function of the A[21:18] pins will be set once the device is taken out of reset ($\overline{\text{RESET}}$ pin transitions from a low to high state). The A[21:18] bus includes bus holders to reduce the static power dissipation caused by floating, unused pins. The bus holders also eliminate the need for external bias resistors on unused pins. When the bus goes into a high-impedance state, the bus holders keep the address bus at the logic level that was most recently driven. The bus holders are enabled at reset and can be enabled/disabled through the External Bus Control Register (XBCR).
	PGPIO[3:0]	I/O/Z		Parallel general-purpose I/O. PGPIO[3:0] is selected if GPIO6 is low during reset. The PGPIO[3:0] signals are configured as inputs after reset.
	EMIF.A[21:18]	O/Z		EMIF address bus. EMIF.A[21:18] is selected if GPIO6 is high during reset. The EMIF.A[21:18] signals are in a high-impedance state during reset and are configured as outputs after reset with an output value of 0.

(1) I = Input, O = Output, S = Supply, Z = High impedance

(2) Other Pin Characteristics:

A - Internal pullup [always enabled]

B - Internal pulldown [always enabled]

C - Hysteresis input

D - Pin has bus holder, it can be enabled/disabled through the External Bus Control Register (XBCR) [enabled by default].

E - Pin is high impedance in HOLD mode (due to $\overline{\text{HOLD}}$ pin). The EKxHZ bits in the EMIF Global Control Registers (EGCR1, EGCR2) determine the state of the ECLKOUTx signals during HOLD mode. If EKxHZ = 0, ECLKOUTx continues clocking during HOLD mode. If EKxHZ = 1, ECLKOUTx goes to high impedance during HOLD mode.

F - Pin is high impedance in OFF mode ($\overline{\text{TRST}} = 0$, EMU0 = 1, and EMU1/ $\overline{\text{OFF}} = 0$).

G - Pin can be configured as a general-purpose input.

H - Pin can be configured as a general-purpose output.

J - Pin has an internal pullup, it can be enabled/disabled through the External Bus Control Register (XBCR) [enabled by default].

K - Pin has an internal pulldown, it can be enabled/disabled through the External Bus Control Register (XBCR) [enabled by default].

L - Fail-safe pin

M - Pin is in high-impedance during reset ($\overline{\text{RESET}}$ pin is low)

Table 2-4. Signal Descriptions (continued)

PIN NAME	MULTIPLEXED SIGNAL NAME	PIN TYPE ⁽¹⁾	OTHER ⁽²⁾	FUNCTION
A[17:2]		I/O/Z	C, D, E, F, M	The A[17:2] pins of the Parallel Port serve one of two functions: host-port interface (HPI) address bus signals HPI.HA[15:0] or external memory interface (EMIF) address bus signals EMIF.A[17:2]. The function of the A[17:2] pins is determined by the state of the GPIO6 pin during reset. The A[17:2] pins are set to HPI.HA[15:0] if GPIO6 is low during reset. The A[17:2] pins are set to EMIF.A[17:2] if GPIO6 is high during reset. The function of the A[17:2] pins will be set once the device is taken out of reset (RESET pin transitions from a low to high state). The A[17:2] bus includes bus holders to reduce the static power dissipation caused by floating, unused pins. The bus holders also eliminate the need for external bias resistors on unused pins. When the bus goes into a high-impedance state, the bus holders keep the address bus at the logic level that was most recently driven. The bus holders are enabled at reset and can be enabled/disabled through the External Bus Control Register (XBCR).
	HPI.HA[15:0]	I/O/Z		HPI address bus. HPI.HA[15:0] is selected when GPIO6 is low during reset. The HPI.HA[15:0] signals are configured as inputs after reset. The HPI will operate in non-multiplexed mode when GPIO6 is low during reset. In non-multiplexed mode, the HPI uses separate address and data buses: a 16-bit address bus (HPI.HA[15:0]) and a 16-bit data bus (HPI.HD[15:0]). Each host cycle on the data bus consists of one 16-bit data transfer.
	EMIF.A[17:2]	O/Z		EMIF address bus. EMIF.A[17:2] is selected when GPIO6 is high during reset. The EMIF.A[17:2] signals are in a high-impedance state during reset and are configured as outputs after reset with an output value of 0.
Parallel Port — Data Bus				
D[31:16]		I/O/Z	C, D, E, F, G, H, M	The D[31:16] pins of the Parallel Port serve one of two functions: parallel general-purpose input/output (PGPIO) signals PGPIO[19:4] or external memory interface (EMIF) data bus signals EMIF.D[31:16]. The function of the D[31:16] pins is determined by the state of the GPIO6 pin during reset. The D[31:16] pins are set to PGPIO[19:4] if GPIO6 is low during reset. The D[31:16] pins are set to EMIF.D[31:16] if GPIO6 is high during reset. The function of the D[31:16] pins will be set once the device is taken out of reset (RESET pin transitions from a low to high state). The D[31:16] bus includes bus holders to reduce the static power dissipation caused by floating, unused pins. The bus holders also eliminate the need for external bias resistors on unused pins. When the bus goes into a high-impedance state, the bus holders keep the data bus at the logic level that was most recently driven. The bus holders are enabled at reset and can be enabled/disabled through the External Bus Control Register (XBCR).
	PGPIO[19:4]	I/O/Z		Parallel general-purpose I/O. PGPIO[19:4] is selected when GPIO6 is low during reset. The PGPIO[19:4] signals are configured as inputs after reset.
	EMIF.D[31:16]	I/O/Z		EMIF data bus. EMIF.D[31:16] is selected when GPIO6 is high during reset. The EMIF.D[31:16] signals are configured as inputs after reset.
D[15:0]		I/O/Z	C, D, E, F, M	The D[15:0] pins of the Parallel Port serve one of two functions: host-port interface (HPI) data bus signals HPI.HD[15:0] and external memory interface (EMIF) data bus signals EMIF.D[15:0]. The function of the D[15:0] pins is determined by the state of the GPIO6 pin during reset. The D[15:0] pins are set to HPI.HD[15:0] if GPIO6 is low during reset. The D[15:0] pins are set to EMIF.D[15:0] if GPIO6 is high during reset. The function of the D[15:0] pins will be set once the device is taken out of reset (RESET pin transitions from a low to high state). The D[15:0] bus includes bus holders to reduce the static power dissipation caused by floating, unused pins. The bus holders also eliminate the need for external bias resistors on unused pins. When the bus goes into a high-impedance state, the bus holders keep the data bus at the logic level that was most recently driven. The bus holders are enabled at reset and can be enabled/disabled through the External Bus Control Register (XBCR).
	HPI.HD[15:0]	I/O/Z		HPI data bus. HPI.HD[15:0] is selected when GPIO6 is low during reset. The HPI.HD[15:0] signals are configured as inputs after reset. The HPI will operate in non-multiplexed mode when GPIO6 is low during reset. In non-multiplexed mode, the HPI uses separate address and data buses: a 16-bit address bus (HPI.HA[15:0]) and a 16-bit data bus (HPI.HD[15:0]). Each host cycle on the data bus consists of one 16-bit data transfer.
	EMIF.D[15:0]	I/O/Z		EMIF data bus. EMIF.D[15:0] is selected when GPIO6 is high during reset. The EMIF.D[15:0] signals are configured as inputs after reset.

Table 2-4. Signal Descriptions (continued)

PIN NAME	MULTIPLEXED SIGNAL NAME	PIN TYPE ⁽¹⁾	OTHER ⁽²⁾	FUNCTION
Parallel Port — Control Pins				
C0		I/O/Z	C, D, E, F, G, H, M	The C0 pin of the Parallel Port serves one of two functions: parallel general-purpose input/output (PGPIO) signal PGPIO20 or external memory interface control signal EMIF. $\overline{\text{ARE}}/\text{SADS}/\text{SDCAS}/\text{SRE}$. The function of the C0 pin is determined by the state of the GPIO6 pin during reset. The C0 pin is set to PGPIO20 if GPIO6 is low during reset. The C0 pin is set to EMIF. $\overline{\text{ARE}}/\text{SADS}/\text{SDCAS}/\text{SRE}$ if GPIO6 is high during reset. The function of the C0 pin will be set once the device is taken out of reset ($\overline{\text{RESET}}$ pin transitions from a low to high state).
	PGPIO20	I/O/Z		Parallel general-purpose I/O. PGPIO20 is selected when GPIO6 is low during reset. The PGPIO20 signal is configured as an input after reset.
	EMIF. $\overline{\text{ARE}}/\text{SADS}/\text{SDCAS}/\text{SRE}$	O/Z		EMIF control pin. EMIF. $\overline{\text{ARE}}/\text{SADS}/\text{SDCAS}/\text{SRE}$ is selected when GPIO6 is high during reset. The EMIF. $\overline{\text{ARE}}/\text{SADS}/\text{SDCAS}/\text{SRE}$ signal is in a high-impedance state during reset and is set to output after reset with an output value of 1. The EMIF. $\overline{\text{ARE}}/\text{SADS}/\text{SDCAS}/\text{SRE}$ signal serves four different functions when used by the EMIF: asynchronous memory read-enable (EMIF. $\overline{\text{ARE}}$), synchronous memory address strobe (EMIF. $\overline{\text{SADS}}$), SDRAM column-address strobe (EMIF. $\overline{\text{SDCAS}}$), and synchronous read-enable (EMIF. $\overline{\text{SRE}}$) (selected by RENEN in the CE Secondary Control Register 1).
C1		I/O/Z	C, D, E, F, G, H, M	The C1 pin of the Parallel Port serves one of two functions: parallel general-purpose input/output (PGPIO) signal PGPIO21 or external memory interface control signal EMIF. $\overline{\text{AOE}}/\text{SOE}/\text{SDRAS}$. The function of the C1 pin is determined by the state of the GPIO6 pin during reset. The C1 pin is set to PGPIO21 if GPIO6 is low during reset. The C1 pin is set to EMIF. $\overline{\text{AOE}}/\text{SOE}/\text{SDRAS}$ if GPIO6 is high during reset. The function of the C1 pin will be set once the device is taken out of reset ($\overline{\text{RESET}}$ pin transitions from a low to high state).
	PGPIO21	I/O/Z		Parallel general-purpose I/O. PGPIO21 is selected when GPIO6 is low during reset. The PGPIO21 signal is configured as an input after reset.
	EMIF. $\overline{\text{AOE}}/\text{SOE}/\text{SDRAS}$	O/Z		EMIF control pin. EMIF. $\overline{\text{AOE}}/\text{SOE}/\text{SDRAS}$ is selected when GPIO6 is high during reset. The EMIF. $\overline{\text{AOE}}/\text{SOE}/\text{SDRAS}$ signal is in a high-impedance state during reset and is set to output after reset with an output value of 1. The EMIF. $\overline{\text{AOE}}/\text{SOE}/\text{SDRAS}$ signal serves three different functions when used by the EMIF: asynchronous memory output-enable (EMIF. $\overline{\text{AOE}}$), synchronous memory output-enable (EMIF. $\overline{\text{SOE}}$), and SDRAM row-address strobe (EMIF. $\overline{\text{SDRAS}}$).
C2		I/O/Z	C, D, E, F, G, H, M	The C2 pin of the Parallel Port serves one of two functions: parallel general-purpose input/output (PGPIO) signal PGPIO22 or external memory interface control signal EMIF. $\overline{\text{AWE}}/\text{SWE}/\text{SDWE}$. The function of the C2 pin is determined by the state of the GPIO6 pin during reset. The C2 pin is set to PGPIO22 if GPIO6 is low during reset. The C2 pin is set to EMIF. $\overline{\text{AWE}}/\text{SWE}/\text{SDWE}$ if GPIO6 is high during reset. The function of the C2 pin will be set once the device is taken out of reset ($\overline{\text{RESET}}$ pin transitions from a low to high state).
	PGPIO22	I/O/Z		Parallel general-purpose I/O. PGPIO22 is selected when GPIO6 is low during reset. The PGPIO22 signal is configured as an input after reset.
	EMIF. $\overline{\text{AWE}}/\text{SWE}/\text{SDWE}$	O/Z		EMIF control pin. EMIF. $\overline{\text{AWE}}/\text{SWE}/\text{SDWE}$ is selected when GPIO6 is high during reset. The EMIF. $\overline{\text{AWE}}/\text{SWE}/\text{SDWE}$ signal is in a high-impedance state during reset and is set to output after reset with an output value of 1. The EMIF. $\overline{\text{AWE}}/\text{SWE}/\text{SDWE}$ signal serves three different functions when used by the EMIF: asynchronous memory write-enable (EMIF. $\overline{\text{AWE}}$), synchronous memory write-enable (EMIF. $\overline{\text{SWE}}$), and SDRAM write-enable (EMIF. $\overline{\text{SDWE}}$).

Table 2-4. Signal Descriptions (continued)

PIN NAME	MULTIPLEXED SIGNAL NAME	PIN TYPE ⁽¹⁾	OTHER ⁽²⁾	FUNCTION
C3		I/O/Z	F, G, H, J	The C3 pin of the Parallel Port serves one of two functions: parallel general-purpose input/output (PGPIO) signal PGPIO23 or external memory interface control signal EMIF.ARDY. The function of the C3 pin is determined by the state of the GPIO6 pin during reset. The C3 pin is set to PGPIO23 if GPIO6 is low during reset. The C3 pin is set to EMIF.ARDY if GPIO6 is high during reset. The function of the C3 pin will be set once the device is taken out of reset (RESET pin transitions from a low to high state).
	PGPIO23	I/O/Z		Parallel general-purpose I/O. PGPIO23 is selected when GPIO6 is low during reset. The PGPIO23 signal is configured as an input after reset.
	EMIF.ARDY	I		EMIF data ready pin. EMIF.ARDY is selected when GPIO6 is high during reset. The EMIF.ARDY signal indicates that an external device is ready for a bus transaction to be completed. If the device is not ready (EMIF.ARDY is low), the processor extends the memory access by one cycle and checks EMIF.ARDY again. An internal pullup is included to disable this feature if not used. The internal pullup can be disabled through the External Bus Control Register (XBCR).
C4		I/O/Z	C, D, E, F, G, H, M	The C4 pin of the Parallel Port serves one of two functions: parallel general-purpose input/output (PGPIO) signal PGPIO24 or external memory interface control signal EMIF.CE0. The function of the C4 pin is determined by the state of the GPIO6 pin during reset. The C4 pin is set to PGPIO24 if GPIO6 is low during reset. The C4 pin is set to EMIF.CE0 if GPIO6 is high during reset. The function of the C4 pin will be set once the device is taken out of reset (RESET pin transitions from a low to high state).
	PGPIO24	I/O/Z		Parallel general-purpose I/O. PGPIO24 is selected when GPIO6 is low during reset. The PGPIO24 signal is configured as an input after reset.
	EMIF.CE0	O/Z		EMIF chip-select for memory space CE0. EMIF.CE0 is selected when GPIO6 is high during reset. The EMIF.CE0 signal is in a high-impedance state during reset and is set to output after reset with an output value of 1.
C5		I/O/Z	C, D, E, F, G, H, M	The C5 pin of the Parallel Port serves one of two functions: parallel general-purpose input/output (PGPIO) signal PGPIO25 or external memory interface control signal EMIF.CE1. The function of the C5 pin is determined by the state of the GPIO6 pin during reset. The C5 pin is set to PGPIO25 if GPIO6 is low during reset. The C5 pin is set to EMIF.CE1 if GPIO6 is high during reset. The function of the C5 pin will be set once the device is taken out of reset (RESET pin transitions from a low to high state).
	PGPIO25	I/O/Z		Parallel general-purpose I/O. PGPIO25 is selected when GPIO6 is low during reset. The PGPIO25 signal is configured as an input after reset.
	EMIF.CE1	O/Z		EMIF chip-select for memory space CE1. EMIF.CE1 is selected when GPIO6 is high during reset. The EMIF.CE1 signal is in a high-impedance state during reset and is set to output after reset with an output value of 1.
C6		I/O/Z	C, D, E, F, G, H, M	The C6 pin of the Parallel Port serves one of two functions: parallel general-purpose input/output (PGPIO) signal PGPIO26 or external memory interface control signal EMIF.CE2. The function of the C6 pin is determined by the state of the GPIO6 pin during reset. The C6 pin is set to PGPIO26 if GPIO6 is low during reset. The C6 pin is set to EMIF.CE2 if GPIO6 is high during reset. The function of the C6 pin will be set once the device is taken out of reset (RESET pin transitions from a low to high state).
	PGPIO26	I/O/Z		Parallel general-purpose I/O. PGPIO26 is selected when GPIO6 is low during reset. The PGPIO26 signal is configured as an input after reset.
	EMIF.CE2	O/Z		EMIF chip-select for memory space CE2. EMIF.CE2 is selected when GPIO6 is high during reset. The EMIF.CE2 signal is in a high-impedance state during reset and is set to output after reset with an output value of 1.

Table 2-4. Signal Descriptions (continued)

PIN NAME	MULTIPLEXED SIGNAL NAME	PIN TYPE ⁽¹⁾	OTHER ⁽²⁾	FUNCTION
C7		I/O/Z	C, D, E, F, G, H, M	The C7 pin of the Parallel Port serves one of two functions: parallel general-purpose input/output (PGPIO) signal PGPIO27 or external memory interface control signal EMIF.CE3. The function of the C7 pin is determined by the state of the GPIO6 pin during reset. The C7 pin is set to PGPIO27 if GPIO6 is low during reset. The C7 pin is set to EMIF.CE3 if GPIO6 is high during reset. The function of the C7 pin will be set once the device is taken out of reset (RESET pin transitions from a low to high state).
	PGPIO27	I/O/Z		Parallel general-purpose I/O. PGPIO27 is selected when GPIO6 is low during reset. The PGPIO27 signal is configured as an input after reset.
	EMIF.CE3	O/Z		EMIF chip-select for memory space CE3. EMIF.CE3 is selected when GPIO6 is high during reset. The EMIF.CE3 signal is in a high-impedance state during reset and is set to output after reset with an output value of 1.
C8		I/O/Z	C, D, E, F, G, H, M	The C8 pin of the Parallel Port serves one of two functions: parallel general-purpose input/output (PGPIO) signal PGPIO28 or external memory interface control signal EMIF.BE0. The function of the C8 pin is determined by the state of the GPIO6 pin during reset. The C8 pin is set to PGPIO28 if GPIO6 is low during reset. The C8 pin is set to EMIF.BE0 if GPIO6 is high during reset. The function of the C8 pin will be set once the device is taken out of reset (RESET pin transitions from a low to high state).
	PGPIO28	I/O/Z		Parallel general-purpose I/O. PGPIO28 is selected when GPIO6 is low during reset. The PGPIO28 signal is configured as an input after reset.
	EMIF.BE0	O/Z		EMIF byte-enable 0 control. EMIF.BE0 is selected when GPIO6 is high during reset. The EMIF.BE0 signal is in a high-impedance state during reset and is set to output after reset with an output value of 1.
C9		I/O/Z	C, D, E, F, G, H, M	The C9 pin of the Parallel Port serves one of two functions: parallel general-purpose input/output (PGPIO) signal PGPIO29 or external memory interface control signal EMIF.BE1. The function of the C9 pin is determined by the state of the GPIO6 pin during reset. The C9 pin is set to PGPIO29 if GPIO6 is low during reset. The C9 pin is set to EMIF.BE1 if GPIO6 is high during reset. The function of the C9 pin will be set once the device is taken out of reset (RESET pin transitions from a low to high state).
	PGPIO29	I/O/Z		Parallel general-purpose I/O. PGPIO29 is selected when GPIO6 is low during reset. The PGPIO29 signal is configured as an input after reset.
	EMIF.BE1	O/Z		EMIF byte-enable 1 control. EMIF.BE1 is selected when GPIO6 is high during reset. The EMIF.BE1 signal is in a high-impedance state during reset and is set to output after reset with an output value of 1.
C10		I/O/Z	C, D, E, F, G, H, M	The C10 pin of the Parallel Port serves one of two functions: parallel general-purpose input/output (PGPIO) signal PGPIO30 or external memory interface control signal EMIF.BE2. The function of the C10 pin is determined by the state of the GPIO6 pin during reset. The C10 pin is set to PGPIO30 if GPIO6 is low during reset. The C10 pin is set to EMIF.BE2 if GPIO6 is high during reset. The function of the C10 pin will be set once the device is taken out of reset (RESET pin transitions from a low to high state).
	PGPIO30	I/O/Z		Parallel general-purpose I/O. PGPIO30 is selected when GPIO6 is low during reset. The PGPIO30 signal is configured as an input after reset.
	EMIF.BE2	O/Z		EMIF byte-enable 2 control. EMIF.BE2 is selected when GPIO6 is high during reset. The EMIF.BE2 signal is in a high-impedance state during reset and is set to output after reset with an output value of 1.
C11		I/O/Z	C, D, E, F, G, H, M	The C11 pin of the Parallel Port serves one of two functions: parallel general-purpose input/output (PGPIO) signal PGPIO31 or external memory interface control signal EMIF.BE3. The function of the C11 pin is determined by the state of the GPIO6 pin during reset. The C11 pin is set to PGPIO31 if GPIO6 is low during reset. The C11 pin is set to EMIF.BE3 if GPIO6 is high during reset. The function of the C11 pin will be set once the device is taken out of reset (RESET pin transitions from a low to high state).
	PGPIO31	I/O/Z		Parallel general-purpose I/O. PGPIO31 is selected when GPIO6 is low during reset. The PGPIO31 signal is configured as an input after reset.
	EMIF.BE3	O/Z		EMIF byte-enable 3 control. EMIF.BE3 is selected when GPIO6 is high during reset. The EMIF.BE3 signal is in a high-impedance state during reset and is set to output after reset with an output value of 1.

Table 2-4. Signal Descriptions (continued)

PIN NAME	MULTIPLEXED SIGNAL NAME	PIN TYPE ⁽¹⁾	OTHER ⁽²⁾	FUNCTION
C12		I/O/Z	C, D, E, F, G, H, M	The C12 pin of the Parallel Port serves one of two functions: parallel general-purpose input/output (PGPIO) signal PGPIO32 or external memory interface control signal EMIF.SDCKE. The function of the C12 pin is determined by the state of the GPIO6 pin during reset. The C12 pin is set to PGPIO32 if GPIO6 is low during reset. The C12 pin is set to EMIF.SDCKE if GPIO6 is high during reset. The function of the C12 pin will be set once the device is taken out of reset (RESET pin transitions from a low to high state).
	PGPIO32	I/O/Z		Parallel general-purpose I/O. PGPIO32 is selected when GPIO6 is low during reset. The PGPIO32 signal is configured as an input after reset.
	EMIF.SDCKE	O/Z		EMIF SDRAM clock-enable. EMIF.SDCKE is selected when GPIO6 is high during reset. The EMIF.SDCKE signal is in a high-impedance state during reset and is set to output after reset with an output value of 1.
C13		I/O/Z	C, D, E, F, G, H, M	The C13 pin of the Parallel Port serves one of two functions: parallel general-purpose input/output (PGPIO) signal PGPIO33 or external memory interface control signal EMIF.SOE3. The function of the C13 pin is determined by the state of the GPIO6 pin during reset. The C13 pin is set to PGPIO33 if GPIO6 is low during reset. The C13 pin is set to EMIF.SOE3 if GPIO6 is high during reset. The function of the C13 pin will be set once the device is taken out of reset (RESET pin transitions from a low to high state).
	PGPIO33	I/O/Z		Parallel general-purpose I/O. PGPIO33 is selected when GPIO6 is low during reset. The PGPIO33 signal is configured as an input after reset.
	EMIF.SOE3	O/Z		EMIF synchronous memory output-enable for CE3. EMIF.SOE3 is selected when GPIO6 is high during reset. The EMIF.SOE3 signal is in a high-impedance state during reset and is set to output after reset with an output value of 1. The EMIF.SOE3 is intended for glueless FIFO interface.
C14		I/O/Z	F, G, H, J, M	The C14 pin of the Parallel Port serves one of two functions: parallel general-purpose input/output (PGPIO) signal PGPIO34 or external memory interface control signal EMIF.HOLD. The function of the C14 pin is determined by the state of the GPIO6 pin during reset. The C14 pin is set to PGPIO34 if GPIO6 is low during reset. The C14 pin is set to EMIF.HOLD if GPIO6 is high during reset. The function of the C14 pin will be set once the device is taken out of reset (RESET pin transitions from a low to high state).
	PGPIO34	I/O/Z		Parallel general-purpose I/O. PGPIO34 is selected when GPIO6 is low during reset. The PGPIO34 signal is configured as an input after reset.
	EMIF.HOLD	I		EMIF hold request. EMIF.HOLD is selected when GPIO6 is high during reset. EMIF.HOLD is asserted by an external host to request control of the address, data, and control signals.
C15		I/O/Z	C, D, F, G, H, M	The C15 pin of the Parallel Port serves one of two functions: parallel general-purpose input/output (PGPIO) signal PGPIO35 or external memory interface control signal EMIF.HOLDA. The function of the C15 pin is determined by the state of the GPIO6 pin during reset. The C15 pin is set to PGPIO35 if GPIO6 is low during reset. The C15 pin is set to EMIF.HOLDA if GPIO6 is high during reset. The function of the C15 pin will be set once the device is taken out of reset (RESET pin transitions from a low to high state).
	PGPIO35	I/O/Z		Parallel general-purpose I/O. PGPIO35 is selected when GPIO6 is low during reset. The PGPIO35 signal is configured as an input after reset.
	EMIF.HOLDA	O/Z		EMIF hold acknowledge. EMIF.HOLDA is selected when GPIO6 is high during reset. The EMIF.HOLDA signal is in a high-impedance state during reset and is set to output after reset with an output value of '1'. EMIF.HOLDA is asserted by the DSP to indicate that the DSP is in the HOLD state and that the EMIF address, data, and control signals are in a high-impedance state, allowing the external memory interface to be accessed by other devices.
EMIF — Clock Pins				
ECLKIN		I	C, L	External EMIF input clock. ECLKIN is selected as the input clock to the EMIF when EMIFCLKS is high.

Table 2-4. Signal Descriptions (continued)

PIN NAME	MULTIPLEXED SIGNAL NAME	PIN TYPE ⁽¹⁾	OTHER ⁽²⁾	FUNCTION
ECLKOUT1		O/Z	E, F, M	<p>EMIF output clock. ECLKOUT1 outputs the EMIF input clock by default but can be held low or set to a high-impedance state through the EMIF Global Control Register 1 (EGCR1). The ECLKOUT1 pin is always in a high-impedance state during reset. The behavior of ECLKOUT1 immediately after reset depends on the state of GPIO6 during reset and EMIFCLKS:</p> <ul style="list-style-type: none"> GPIO6 = 0 and EMIFCLKS =0: ECLKOUT1 is in a high-impedance state. GPIO6 = 0 and EMIFCLKS =1: ECLKOUT1 toggles at ECLKIN frequency. GPIO6 = 1 and EMIFCLKS =0: ECLKOUT1 toggles at SYSCLK3 frequency. GPIO6 = 1 and EMIFCLKS =1: ECLKOUT1 toggles at ECLKIN frequency.
ECLKOUT2		O/Z	E, F	<p>EMIF output clock. ECLKOUT2 can be enabled to output the EMIF input clock divided by a factor 1, 2, or 4 through the EMIF Global Control Register 2 (EGCR2). ECLKOUT2 can also be held low or set to a high-impedance state through the EGCR2 register. The ECLKOUT2 pin toggles with a clock frequency equal to the EMIF input clock divided by 4 during reset. The behavior of ECLKOUT2 immediately after reset depends on the state of GPIO6 during reset and EMIFCLKS:</p> <ul style="list-style-type: none"> GPIO6 = 0 and EMIFCLKS =0: ECLKOUT2 is held low. GPIO6 = 0 and EMIFCLKS =1: ECLKOUT2 toggles at one-fourth of the ECLKIN frequency. GPIO6 = 1 and EMIFCLKS =0: ECLKOUT2 toggles at one-fourth of the SYSCLK3 frequency. GPIO6 = 1 and EMIFCLKS =1: ECLKOUT2 toggles at one-fourth of the ECLKIN frequency.
EMIFCLKS		I	C, L	<p>EMIF input clock source select. The clock source for the EMIF is determined by the state of the EMIFCLKS pin. The EMIF uses an internal clock (SYSCLK3) if EMIFCLKS is low. ECLKIN is used as the clock source if EMIFCLKS is high.</p>
Host Port — Data Bus				
HD[7:0]		I/O/Z	C, D, F, G, H, M	<p>The HD[7:0] pins of the Host Port serve one of two functions: parallel general-purpose input/output (PGPIO) signals PGPIO[43:36] or host-port interface (HPI) data bus signals HPI.HD[7:0]. The function of the HD[7:0] pins is determined by the state of the GPIO6 pin during reset. The HD[7:0] pins are set to PGPIO[43:36] if GPIO6 is low during reset. The HD[7:0] pins are set to HPI.HD[7:0] if GPIO6 is high during reset. The function of the HD[7:0] pins will be set once the device is taken out of reset (RESET pin transitions from a low to high state). The HD[7:0] bus includes bus holders to reduce the static power dissipation caused by floating, unused pins. The bus holders also eliminate the need for external bias resistors on unused pins. When the bus goes into a high-impedance state, the bus holders keep the address bus at the logic level that was most recently driven. The bus holders are enabled at reset and can be enabled/disabled through the External Bus Control Register (XBCR).</p>
	PGPIO[43:36]	I/O/Z		<p>Parallel general-purpose I/O. PGPIO[43:36] is selected when GPIO6 is low during reset. The PGPIO[43:36] signals are configured as inputs after reset.</p>
	HPI.HD[7:0]	I/O/Z		<p>Host data bus. HPI.HD[7:0] is selected when GPIO6 is high during reset. The HPI.HD[7:0] signals are configured as inputs after reset. The HPI will operate in multiplexed mode when GPIO6 is high during reset. In multiplexed mode, an 8-bit data bus (HPI.HD[7:0]) carries both address and data. Each host cycle on the bus consists of two consecutive 8-bit transfers.</p>

Table 2-4. Signal Descriptions (continued)

PIN NAME	MULTIPLEXED SIGNAL NAME	PIN TYPE ⁽¹⁾	OTHER ⁽²⁾	FUNCTION
Host Port — Control Pins				
HC0		I/O/Z	C, F, G, H, J, M	The HC0 pin of the Host Port serves one of two functions: parallel general-purpose input/output (PGPIO) signal PGPIO44 or host-port interface (HPI) signal HPI.HAS. The function of the HC0 pin is determined by the state of the GPIO6 pin during reset. The HC0 pin is set to PGPIO44 if GPIO6 is low during reset. The HC0 pin is set to HPI.HAS if GPIO6 is high during reset. The function of the HC0 pin will be set once the device is taken out of reset (RESET pin transitions from a low to high state).
	PGPIO44	I/O/Z		Parallel general-purpose I/O. PGPIO44 is selected when GPIO6 is low during reset. The PGPIO44 signal is configured as an input after reset.
	HPI.HAS	I		Host address strobe. HPI.HAS is selected when GPIO6 is high during reset. The HPI.HAS signal is configured as an input after reset. Hosts with multiplexed address and data pins may require HPI.HAS to latch the address in the HPIA register. HPI.HAS is only available when the HPI is operating in multiplexed mode.
HC1		I/O/Z	F, G, H, K, M	The HC1 pin of the Host Port serves one of two functions: parallel general-purpose input/output (PGPIO) signal PGPIO45 or host-port interface (HPI) signal HPI.HBIL. The function of the HC1 pin is determined by the state of the GPIO6 pin during reset. The HC1 pin is set to PGPIO45 if GPIO6 is low during reset. The HC1 pin is set to HPI.HBIL if GPIO6 is high during reset. The function of the HC1 pin will be set once the device is taken out of reset (RESET pin transitions from a low to high state).
	PGPIO45	I/O/Z		Parallel general-purpose I/O. PGPIO45 is selected when GPIO6 is low during reset. The PGPIO45 signal is configured as an input after reset.
	HPI.HBIL	I		Host byte identification. HPI.HBIL is selected when GPIO6 is high during reset. The HPI.HBIL signal is configured as an input after reset. In multiplexed mode, the host must use HPI.HBIL to identify the first and second bytes of the host cycle.
HPI Pins				
HCNTL0		I/O/Z	F, G, H, J, M	HPI access control pins. The four binary states of the HCNTL0 and HCNTL1 pins determine which HPI register is being accessed by the host (HPIC, HPID with autoincrementing, HPIA, or HPID). The HCNTL0 and HCNTL1 pins are configured as inputs after reset.
HCNTL1				
HCS		I/O/Z	C, F, G, H, J, M	HPI chip-select. HCS must be low for the HPI to be selected by the host. The HCS pin is configured as an input after reset. A host must not initiate transfer requests until the HPI has been brought out of reset, see Section 3.8, Host-Port Interface (HPI), for more details.
HR/W		I/O/Z	F, G, H, J, M	Host read- or write-select. HR/W indicates whether the current access is to be a read or write operation. The HR/W pin is configured as an input after reset.
HDS1		I	C, G, H, J	Host data strobe pins. The HDS1 and HDS2 pins are used for strobing data in and out of the HPI. The HDS1 and HDS2 pins are configured as inputs after reset. A host must not initiate transfer requests until the HPI has been brought out of reset, see Section 3.8, Host-Port Interface (HPI), for more details.
HDS2				
HRDY		O/Z	F, J, M	Host ready (from DSP to host). The HRDY pin informs the host when the HPI is ready for the next transfer. The HRDY pin is in a high-impedance state during reset and is set to output after reset with an output value of 1.
HINT		O/Z	F, G, H, J, M	Host interrupt (from DSP to host). The HINT pin is used by the DSP to interrupt the host. The HINT signal is in a high-impedance state during reset and is set to output after reset with an output value of 1.
HPIENA		I	C, L	HPI enable. The HPIENA pin must be driven high to enable the HPI for operation. If the HPIENA pin is low, the HPI will be completely disabled and all HPI output pins will be in a high-impedance state. If the HPI is not needed, the HPIENA pin can be pulled low.
Interrupt and Reset Pins				
INT[3:0]		I	C, L	Maskable external interrupts. INT0–INT3 are maskable interrupts. They are enabled through the Interrupt Enable Registers (IER0 and IER1). All maskable interrupts are globally enabled/disabled through the Interrupt Mode bit (INTM in ST1_55). INT0–INT3 can be polled and reset via the Interrupt Flag Registers (IFR0 and IFR1). All interrupts are prioritized as shown in Table 3-77, Interrupt Table.

Table 2-4. Signal Descriptions (continued)

PIN NAME	MULTIPLEXED SIGNAL NAME	PIN TYPE ⁽¹⁾	OTHER ⁽²⁾	FUNCTION
$\overline{\text{NMI}}$ /WDTOUT		I/O/Z	C, F, J, M	<p>Non-maskable external interrupt or Watchdog Timer output. The function of this pin is controlled by the Timer Signal Selection Register (TSSR). By default, the $\overline{\text{NMI}}$/WDTOUT pin has the function of the $\overline{\text{NMI}}$ signal. $\overline{\text{NMI}}$ is an external interrupt that cannot be masked by the Interrupt Enable Registers (IER0 and IER1). When $\overline{\text{NMI}}$ is activated, the interrupt is always performed. WDTOUT serves as an input and output pin for the Watchdog Timer.</p>
$\overline{\text{TACK}}$		O/Z	F, M	<p>Interrupt acknowledge. $\overline{\text{TACK}}$ indicates the receipt of an interrupt and that the program counter is fetching the interrupt vector location designated on the address bus. The $\overline{\text{TACK}}$ pin is set to a value of '1' during reset.</p>
$\overline{\text{RESET}}$		I	C, L	<p>Device reset. $\overline{\text{RESET}}$ causes the digital signal processor (DSP) to terminate current program execution. When $\overline{\text{RESET}}$ is brought to a high level, program execution begins by fetching the reset interrupt service vector at the reset vector address FFFF00h (IVPD:FFFFh). $\overline{\text{RESET}}$ affects various registers and status bits.</p>
General-Purpose I/O Pins				
GPIO7 GPIO6 GPIO5 GPIO4 GPIO3 GPIO2/BOOTM2 GPIO1/BOOTM1 GPIO0/BOOTM0		I/O/Z	F, G, H, M	<p>General-purpose configurable inputs/outputs. GPIO[7:0] can be individually configured as inputs or outputs via the GPIO Direction Register (IODIR). Data can be read from inputs or written to outputs via the GPIO Data Register (IODATA). The GPIO pins are configured as inputs after reset.</p> <p>Boot mode selection signals. GPIO[2:0]/BOOTM[2:0] are sampled following reset to configure the boot mode for the DSP. After the boot is completed, these pins can be used as general-purpose inputs/outputs.</p> <p>The GPIO4 pin is also used as an output for handshaking purposes on some of the boot modes. Although this pin is not involved in boot mode selection, users should be aware that this pin will become active as an output during the bootload process and should design accordingly. After the bootload process is complete, the loaded application may change the function of the GPIO4 pin.</p> <p>Multiplexed general-purpose input/output pins. The GPIO3 signal is multiplexed with the CLKX2 signal through the SP0 pin. The function of the SP0 pin is determined by the state of the GPIO7 pin during reset. The SP0 pin is set to GPIO3 if GPIO7 is low during reset. The SP0 pin is set to CLKX2 if GPIO7 is high during reset. The function of the SP0 pin will be set once the device is taken out of reset ($\overline{\text{RESET}}$ pin transitions from a low to high state).</p> <p>The GPIO5 signal is multiplexed with the FSX2 signal through the SP2 pin. The function of the SP2 pin is determined by the state of the GPIO7 pin during reset. The SP2 pin is set to GPIO5 if GPIO7 is low during reset. The SP2 pin is set to FSX2 if GPIO7 is high during reset. The function of the SP2 pin will be set once the device is taken out of reset ($\overline{\text{RESET}}$ pin transitions from a low to high state).</p> <p>Input clock source selection. The CLKMD0 bit of the Clock Mode Control Register (CLKMD) determines which clock, either OSCOUT or X2/CLKIN, is used as an input clock source to the DSP. If GPIO4 is low at reset, the CLKMD0 bit of the Clock Mode Control Register (CLKMD) will be set to '0' and the internal oscillator and the external crystal will generate an input clock (OSCOUT) for the DSP. If GPIO4 is high, the CLKMD0 bit will be set to '1' and the input clock will be taken directly from the X2/CLKIN pin.</p> <p>An external crystal must be attached to the X1 and X2/CLKIN pins when the internal oscillator is used to generate a clock to the DSP. Otherwise, when the oscillator is not used to generate the input clock for the DSP, an externally generated 3.3-V clock must be applied to the X2/CLKIN pin and the X1 pin must be left unconnected.</p> <p>Function selection for multiplexed pins. The GPIO6 pin is used to select the function of the multiplexed signals in the Parallel Port and the Host Port. The EMIF will be disabled and the HPI will operate in non-multiplexed mode when the GPIO6 pin is low during reset. The EMIF will be enabled and the HPI will operate in multiplexed mode when the GPIO6 pin is high during reset. The function of the multiplexed signals will be set once the device is taken out of reset ($\overline{\text{RESET}}$ pin transitions from a low to high state).</p> <p>The GPIO7 pin is used to select the function of the multiplexed signals of Serial Port 2. The UART will be enabled and McBSP2 will be disabled when GPIO7 is low during reset. McBSP2 will be enabled and the UART will be disabled when GPIO7 is high during reset. The function of the multiplexed signals will be set once the device is taken out of reset ($\overline{\text{RESET}}$ pin transitions from a low to high state).</p>
XF		O/Z	F	<p>External output (latched software-programmable signal). XF is set high by the BSET XF instruction, set low by BCLR XF instruction, or by loading ST1. XF is used for signaling other processors in multiprocessor configurations or used as a general-purpose output pin. The XF pin is set to a value of '1' during reset.</p>

Table 2-4. Signal Descriptions (continued)

PIN NAME	MULTIPLEXED SIGNAL NAME	PIN TYPE ⁽¹⁾	OTHER ⁽²⁾	FUNCTION
Oscillator/Clock Pins				
CLKOUT		O/Z	F	Clock output. CLKOUT can be set to reflect the clock of the Fast Peripherals Clock Group, Slow Peripherals Clock Group, and the External Memory Interface Clock Group. The CLKOUT pin is set to the internal clock SYSCLK1 during and after reset. SYSCLK1 is set equal to a divided-by-four CLKIN or OSCOUT (depending on the state of the GPIO4 pin) during and after reset. SYSCLK1 is used to clock the Fast Peripheral Clock Group.
X2/CLKIN		I		Clock/oscillator input. If the internal oscillator is not being used, X2/CLKIN functions as the clock input.
X1		O		Output pin from the internal oscillator for the crystal. If the internal oscillator is not used, X1 should be left unconnected.
Multichannel Buffered Serial Port Pins (McBSP0 and McBSP1)				
CLKR0		I/O/Z	C, F, G, H, M	Receive clock input of McBSP0. The CLKR0 pin is configured as an input after reset.
DR0		I	L, G	Serial data receive input of McBSP0
FSR0		I/O/Z	F, G, H, M	Frame synchronization pulse for receive input of McBSP0. The FSR0 pin is configured as an input after reset.
CLKX0		I/O/Z	C, F, G, H, M	Transmit clock of McBSP0. The CLKX0 pin is configured as an input after reset.
DX0		O/Z	F, H, M	Serial data transmit output of McBSP0. The DX0 pin is in a high-impedance state during and after reset.
FSX0		I/O/Z	F, G, H, M	Frame synchronization pulse for transmit output of McBSP0. The FSX0 pin is configured as an input after reset.
CLKR1		I/O/Z	C, G, H, M	Receive clock input of McBSP1. The CLKR1 pin is configured as an input after reset.
DR1		I	L, G	Serial data receive input of McBSP1
FSR1		I/O/Z	F, G, H, M	Frame synchronization pulse for receive input of McBSP1. The FSR1 pin is configured as an input after reset.
DX1		O/Z	F, H, M	Serial data transmit output of McBSP1. The DX1 pin is in a high-impedance state during and after reset.
CLKX1		I/O/Z	C, F, G, H, M	Transmit clock of McBSP1. The CLKX1 pin is configured as an input after reset.
FSX1		I/O/Z	F, G, H, M	Frame synchronization pulse for transmit output of McBSP1. The FSX1 pin is configured as an input after reset.
Serial Port 2 (McBSP2/UART) Pins				
DR2		I	L, G	McBSP2 data receive input
DX2		O/Z	F, H, M	McBSP2 data transmit output. The DX2 pin is in a high-impedance state during and after reset.
SP0		I/O/Z	C, F, M	The SP0 pin of Serial Port 2 serves one of two functions: GPIO3 or CLKX2. The function of the SP0 pin is determined by the state of the GPIO7 pin during reset. The SP0 pin is set to GPIO3 if GPIO7 is low during reset. The SP0 pin is set to CLKX2 if GPIO7 is high during reset. The function of the SP0 pin will be set once the device is taken out of reset (RESET pin transitions from a low to high state).
	GPIO3	I/O/Z	G, H	GPIO3. GPIO3 is selected if GPIO7 is low during reset. The GPIO3 signal is configured as input after reset.
	CLKX2	I/O/Z	G, H	McBSP2 transmit clock. CLKX2 is selected if GPIO7 is high during reset. The CLKX2 signal is configured as input after reset.
SP1		I/O/Z	C, F, M	The SP1 pin of Serial Port 2 serves one of two functions: UART.TX or CLKR2. The function of the SP1 pin is determined by the state of the GPIO7 pin during reset. The SP1 pin is set to UART.TX if GPIO7 is low during reset. The SP1 pin is set to CLKR2 if GPIO7 is high during reset. The function of the SP1 pin will be set once the device is taken out of reset (RESET pin transitions from a low to high state).
	UART.TX	O		UART transmit data output. UART.TX is selected if GPIO7 is low during reset. The UART.TX signal outputs a value of 1 during and after reset.
	CLKR2	I/O/Z	G, H	McBSP2 receive clock. CLKR2 is selected if GPIO7 is high during reset. The CLKR2 signal is configured as input after reset.

Table 2-4. Signal Descriptions (continued)

PIN NAME	MULTIPLEXED SIGNAL NAME	PIN TYPE ⁽¹⁾	OTHER ⁽²⁾	FUNCTION
SP2		I/O/Z	F, M	The SP2 pin of Serial Port 2 serves one of two functions: GPIO5 or FSX2. The function of the SP2 pin is determined by the state of the GPIO7 pin during reset. The SP2 pin is set to GPIO5 if GPIO7 is low during reset. The SP2 pin is set to FSX2 if GPIO7 is high during reset. The function of the SP2 pin will be set once the device is taken out of reset (RESET pin transitions from a low to high state).
	GPIO5	I/O/Z	G, H	GPIO5. GPIO5 is selected if GPIO7 is low during reset. The GPIO5 signal is configured as input after reset.
	FSX2	I/O/Z	G, H	Frame synchronization pulse for transmitter of McBSP2. FSX2 is selected if GPIO7 is high during reset. The FSX2 signal is configured as input after reset.
SP3		I/O/Z	F, M	The SP3 pin of Serial Port 2 serves one of two functions: UART.RX or FSR2. The function of the SP3 pin is determined by the state of the GPIO7 pin during reset. The SP3 pin is set to UART.RX if GPIO7 is low during reset. The SP3 pin is set to FSR2 if GPIO7 is high during reset. The function of the SP3 pin will be set once the device is taken out of reset (RESET pin transitions from a low to high state).
	UART.RX	I		UART receive data input. UART.RX is selected if GPIO7 is low during reset.
	FSR2	I/O/Z	G, H	Frame synchronization pulse for receiver of McBSP2. FSR2 is selected if GPIO7 is high during reset. The FSR2 signal is configured as input after reset.
I²C Pins				
SCL		I/O/Z	C, F, M	I²C clock bidirectional port. (Open collector I/O)
SDA		I/O/Z	C, F, M	I²C data bidirectional port. (Open collector I/O)
Timer Pins				
TIM0		I/O/Z	F, G, H, M	Input/Output pin for Timer 0. The TIM0 pin can be configured as an output or an input via the Timer Signal Selection Register (TSSR). When configured as an output, the TIM0 pin can signal a pulse or a change of state when the Timer 0 count matches its period. When configured as an input, the TIM0 pin can be used to provide the clock source for Timer 0 (external clock source mode) or it can be used to start/stop the timer from counting (clock gating mode). This pin can also be used as general-purpose I/O. The TIM0 pin is configured as an input after reset.
TIM1		I/O/Z	F, G, H, M	Input/Output pin for Timer 1. The TIM1 pin can be configured as an output or an input via the Timer Signal Selection Register (TSSR). When configured as an output, the TIM1 pin can signal a pulse or a change of state when the Timer 1 count matches its period. When configured as an input, the TIM1 pin can be used to provide the clock source for Timer 1 (external clock source mode) or it can be used to start/stop the timer from counting (clock gating mode). This pin can also be used as general-purpose I/O. The TIM1 pin is configured as an input after reset.
Supply Pins				
V _{SS}		S		Digital Ground. Dedicated ground for the device.
CV _{DD}		S		Digital Power, + V_{DD}. Dedicated power supply for the core CPU.
PV _{DD}		S		Digital Power, + V_{DD}. Dedicated power supply for the PLL module.
NC				No Connect
DV _{DD}		S		Digital Power, + V_{DD}. Dedicated power supply for the I/O pins.
Test Pins				
TCK		I	C, J	IEEE standard 1149.1 test clock. TCK is normally a free-running clock signal with a 50% duty cycle. The changes on test access port (TAP) of input signals TMS and TDI are clocked into the TAP controller, instruction register, or selected test data register on the rising edge of TCK. Changes at the TAP output signal (TDO) occur on the falling edge of TCK. Refer to Section 3.18, Notice Concerning TCK, for important information regarding this pin.
TDI		I	J	IEEE standard 1149.1 test data input. Pin with internal pullup device. TDI is clocked into the selected register (instruction or data) on a rising edge of TCK.
TDO		O/Z		IEEE standard 1149.1 test data output. The contents of the selected register (instruction or data) are shifted out of TDO on the falling edge of TCK. TDO is in the high-impedance state except when the scanning of data is in progress.
TMS		I	J	IEEE standard 1149.1 test mode select. Pin with internal pullup device. This serial control input is clocked into the TAP controller on the rising edge of TCK.

Table 2-4. Signal Descriptions (continued)

PIN NAME	MULTIPLEXED SIGNAL NAME	PIN TYPE ⁽¹⁾	OTHER ⁽²⁾	FUNCTION
$\overline{\text{TRST}}$		I	C, L, K	IEEE standard 1149.1 test reset. $\overline{\text{TRST}}$, when high, gives the IEEE standard 1149.1 scan system control of the operations of the device. If $\overline{\text{TRST}}$ is not connected or driven low, the device operates in its functional mode, and the IEEE standard 1149.1 signals are ignored. Pin has an internal pulldown device.
EMU0		I/O/Z	J	Emulator 0 pin. When $\overline{\text{TRST}}$ is driven low, EMU0 must be high for activation of the $\overline{\text{OFF}}$ condition. When $\overline{\text{TRST}}$ is driven high, EMU0 is used as an interrupt to or from the emulator system and is defined as I/O by way of the IEEE standard 1149.1 scan system. The EMU0 and EMU1/ $\overline{\text{OFF}}$ pins must be pulled up when an emulator is not connected. Internal pullups have been included for the purpose. If the user chooses to disable these pullups through the XBCR, external pullup resistors must be added to these two pins.
EMU1/ $\overline{\text{OFF}}$		I/O/Z	J	Emulator 1 pin/disable all outputs. When $\overline{\text{TRST}}$ is driven high, EMU1/ $\overline{\text{OFF}}$ is used as an interrupt to or from the emulator system and is defined as I/O by way of IEEE standard 1149.1 scan system. When $\overline{\text{TRST}}$ is driven low, EMU1/ $\overline{\text{OFF}}$ is configured as $\overline{\text{OFF}}$. The EMU1/ $\overline{\text{OFF}}$ signal, when active (low), puts all output drivers into the high-impedance state. Note that $\overline{\text{OFF}}$ is used exclusively for testing and emulation purposes (not for multiprocessing applications). Therefore, for the $\overline{\text{OFF}}$ condition, the following apply: <ul style="list-style-type: none"> • $\overline{\text{TRST}}$ = low, • EMU0 = high, • EMU1/$\overline{\text{OFF}}$ = low The EMU0 and EMU1/ $\overline{\text{OFF}}$ pins must be pulled up when an emulator is not connected. Internal pullups have been included for the purpose. If the user chooses to disable these pullups through the XBCR, external pullup resistors must be added to these two pins.

3 Functional Overview

The following functional overview is based on the block diagram in Figure 3-1.

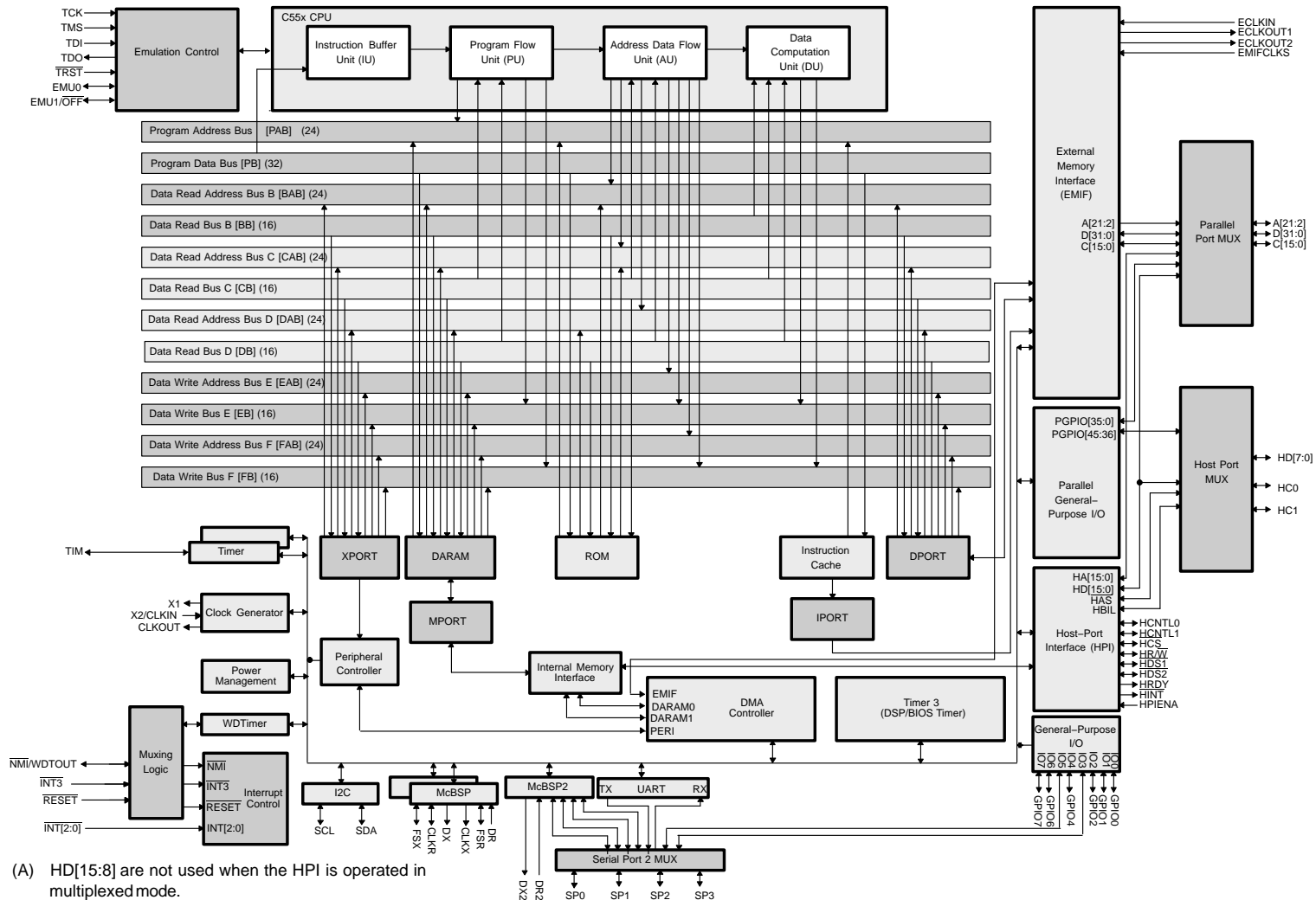


Figure 3-1. TMS320VC5502 Functional Block Diagram

3.1 Memory

The 5502 supports a unified memory map (program and data accesses are made to the same physical space). The total on-chip memory is 48K words (32K 16-bit words of RAM and 16K 16-bit words of ROM).

3.1.1 On-Chip ROM

TMS320VC5502 incorporates 16K x16-bit of on-chip, one-wait-state maskable ROM that can be mapped into program memory space. The on-chip ROM is located at the byte address range FF8000h–FFFFFFh when MPNMC = 0 at reset. When MPNMC = 1 at reset, the on-chip ROM is disabled and not present in the memory map, and byte address range FF8000h–FFFFFFh is directed to external memory space. MPNMC is a bit located in the ST3 status register, and its status is determined by the logic level on the BOOTM[2:0] pins when sampled at reset. If BOOTM[2:0] are set to 00h or 04h at reset, the MPNMC bit is set to 1 and the on-chip ROM is disabled; otherwise, the MPNMC bit is cleared to 0 and the on-chip ROM is enabled. These pins are not sampled again until the next hardware reset. The software reset instruction does not affect the MPNMC bit. Software can be used to set or clear the MPNMC bit.

The ROM can be accessed by the program bus (P) and the two read data buses (C and D). The on-chip ROM is a two-cycle-per-word memory access, except for the first word access, which requires four cycles.

The standard on-chip ROM contains a bootloader which provides a variety of methods to load application code automatically after power up or a hardware reset. For more information, see Section 3.1.5, Boot Configuration. A vector table associated with the bootloader is also contained in the ROM. A boot mode branch table is included in the ROM which contains hard-coded jumps to the beginning of each boot mode code section in the bootloader.

A sine look-up table is provided containing 256 values (crossing 360 degrees) expressed in Q15 format.

The standard on-chip ROM layout is shown in Table 3-1.

Table 3-1. On-Chip ROM Layout

STARTING BYTE ADDRESS	CONTENTS
FF_8000h	Bootloader Program
FF_ECAEh	Bootloader Revision Number
FF_ECB0h	Boot Mode Branch Table
FF_ED00h	Sine Table
FF_EF00h	Reserved
FF_FF00h	Interrupt Vector Table

3.1.2 On-Chip Dual-Access RAM (DARAM)

TMS320VC5502 features 32K x 16-bit (64K bytes) of on-chip dual-access RAM. This memory enhances system performance, since the C55x CPU can access a DARAM block twice per machine cycle. The DARAM is composed of 8 blocks of 4K x 16-bit each (see Table 3-2). Each block in the DARAM can support two reads in one cycle, a read and a write in one cycle, or two writes in one cycle. The dual-access RAM is located in the (byte) address range 000000h-00FFFFh, it can be accessed by the program, data and DMA buses. The HPI has NO access to the DARAM block when device is in reset.

Table 3-2. DARAM Blocks

BYTE ADDRESS RANGE	MEMORY BLOCK
000000h – 001FFFh	DARAM 0
002000h – 003FFFh	DARAM 1
004000h – 005FFFh	DARAM 2
006000h – 007FFFh	DARAM 3
008000h – 009FFFh	DARAM 4
00A000h – 00BFFFh	DARAM 5
00C000h – 00DFFFh	DARAM 6
00E000h – 00FFFFh	DARAM 7

3.1.3 Instruction Cache

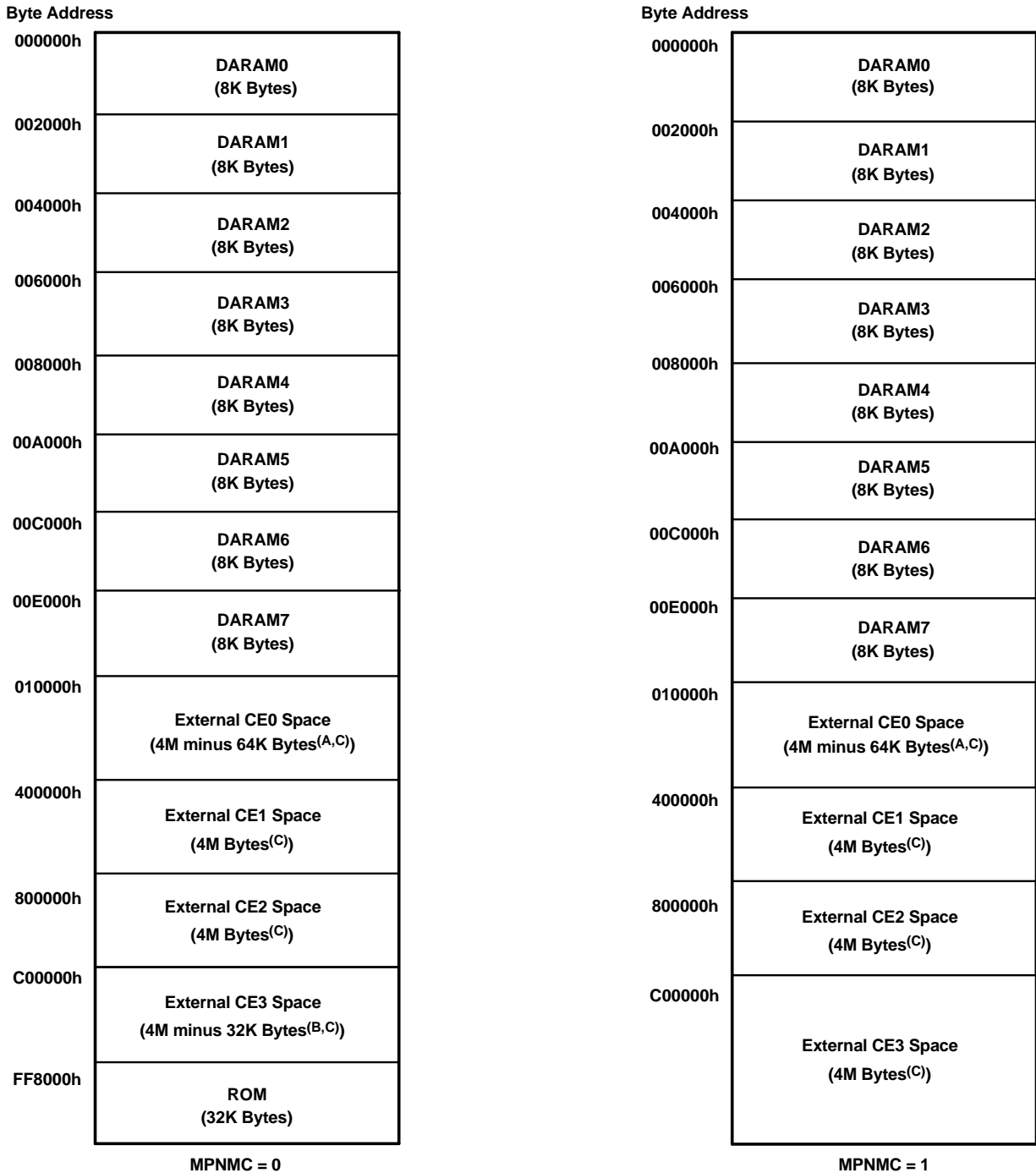
On the TMS320VC5502, instructions may reside in internal memory or external memory. When instructions reside in external memory, the I-Cache can improve the overall system performance by buffering the most recent instructions accessed by the CPU.

The 5502 includes a 16K-byte instruction cache, which consists of a single 2-way cache block. The 2-way cache uses 2-way associative mapping and holds up to 16K bytes: 512 sets, two lines per set, four 32-bit words per line. In the 2-way cache, each line is identified by a unique tag. The 2-way cache is updated based on a least-recently-used algorithm.

Control bits in the CPU status register ST3_55 provide the ability to enable, freeze, and flush the cache.

For more information on the instruction cache, see the *TMS320VC5501/5502 DSP Instruction Cache Reference Guide* (literature number SPRU630).

3.1.4 Memory Map



- (A) The 64K bytes are the on-chip DARAM block.
- (B) The 32K bytes are for on-chip ROM block.
- (C) The CE space size shown in the figure represents the maximum addressable memory space for a 32-bit EMIF configuration. The maximum addressable memory space per CE is reduced when 16- or 8-bit EMIF configurations are used for asynchronous and SBSRAM memory types. For more detailed information, refer to *TMS320VC5501/5502 DSP External Memory Interface (EMIF) Reference Guide* (literature number SPRU621).

Figure 3-2. TMS320VC5502 Memory Map

3.1.5 Boot Configuration

The on-chip bootloader provides a way to transfer application code and tables from an external source to the on-chip RAM at power up. The 5502 provides several options to download the code to accommodate varying system requirements. These options include:

- Host-port interface (HPI) boot, both in multiplexed and non-multiplexed modes
- External memory boot (via EMIF) from 16-bit asynchronous memory
- Serial port boot (from McBSP0) with 16-bit element length
- SPI EPROM boot (from McBSP0) supporting EPROMs with 24-bit addresses
- I²C EPROM boot (from I²C) supporting EPROMs larger than 512K bits
- UART boot
- Direct execution (no boot) from 16- or 32-bit external asynchronous memory

The external pins BOOTM2, BOOTM1, and BOOTM0 select the boot configuration. The values of BOOTM[2:0] are latched with the rising edge of the $\overline{\text{RESET}}$ input. BOOTM2 is shared with GPIO2, BOOTM1 is shared with GPIO1, and BOOTM0 is shared with GPIO0.

The boot configurations available are summarized in Table 3-3.

Table 3-3. Boot Configuration Selection Via the BOOTM[2:0] Pins

BOOTM[2:0]	BOOT PROCESS
000	Direct execution from 16-bit external asynchronous memory
001	SPI EPROM boot
010	Serial port boot (from McBSP0)
011	External memory boot (via EMIF) from 16-bit asynchronous memory
100	Direct execution from 32-bit external asynchronous memory
101	HPI boot
110	I ² C EPROM boot
111	UART boot

3.2 Peripherals

The 5502 includes the following on-chip peripherals:

- An external memory interface (EMIF) ⁽¹⁾
 - Supporting a 32-bit interface to asynchronous memory, SDRAM, and SBSRAM
- A host-port interface (HPI) ⁽¹⁾
 - Configurable to 8 bits (multiplexed mode) or 16 bits (non-multiplexed mode)
- A six-channel direct memory access (DMA) controller
- Three multichannel buffered serial ports (McBSPs)
- A programmable analog phase-locked loop (APLL) clock generator
- General-purpose I/O (GPIO) pins and a dedicated output pin (XF)
- Four timers
 - Two 64-bit general-purpose timers
 - A programmable watchdog timer
 - A DSP/BIOS timer
- An Inter-integrated Circuit (I²C) multi-master and slave interface

(1) The 5502 can be configured as follows:

- 32-bit external memory interface with 8-bit (multiplexed) host-port interface
- no external memory interface with 16-bit (non-multiplexed) host-port interface

- A Universal Asynchronous Receiver/Transmitter (UART)

For detailed information on the C55x DSP peripherals, see the following documents:

- *TMS320VC5501/5502 DSP Instruction Cache Reference Guide* (literature number SPRU630)
- *TMS320VC5501/5502 DSP Timers Reference Guide* (literature number SPRU618)
- *TMS320VC5501/5502/5503/5507/5509 DSP Inter-Integrated Circuit (I2C) Module Reference Guide* (literature number SPRU146)
- *TMS320VC5501/5502 DSP Host Port Interface (HPI) Reference Guide* (literature number SPRU620)
- *TMS320VC5501/5502 DSP Direct Memory Access (DMA) Controller Reference Guide* (literature number SPRU613)
- *TMS320VC5501/5502/5503/5507/5509/5510 DSP Multichannel Buffered Serial Port (McBSP) Reference Guide* (literature number SPRU592)
- *TMS320VC5501/5502 DSP External Memory Interface (EMIF) Reference Guide* (literature number SPRU621)
- *TMS320VC5501/5502 DSP Universal Asynchronous Receiver/Transmitter (UART) Reference Guide* (literature number SPRU597)

3.3 Configurable External Ports and Signals

A number of pins on the 5502 have two functions, a feature that allows system designers to choose an appropriate media interface for his/her application without the need for a large pin-count package. Three muxes are included in the 5502 to control the configuration of these dual-function pins: the Parallel Port Mux, the Host Port Mux, and the Serial Port 2 Mux. The state of these muxes is set at reset based on the state of the GPIO6 and GPIO7 pins. The External Bus Selection Register (XBSR) reflects the configuration of these muxes after the 5502 comes out of reset.

3.3.1 Parallel Port Mux

The Parallel Port Mux of the 5502 controls the function of 20 address signals (pins A[21:2]), 32 data signals (pins D[31:0]), and 16 control signals (pins C0 through C15). The Parallel Port Mux supports two different modes:

- **Full EMIF mode:** The EMIF is enabled and its 20 address, 32 data, and 16 control signals are routed to their corresponding pins on the Parallel Port Mux.
- **Non-multiplexed HPI mode:** The HPI is enabled with its 16 address, 16 data, and 9 control signals routed to their corresponding pins on the Parallel Port Mux. Moreover, 16 control signals, 4 address signals, and 16 data signals of the Parallel Port Mux that are not needed for HPI operation are set to general-purpose I/O (PGPIO).

The mode of the Parallel Port Mux is determined by the state of the GPIO6 pin at reset. If GPIO6 is low, the EMIF will be disabled and the HPI will be enabled in non-multiplexed mode: pins A[17:2] are set to HPI.HA[15:0] and pins D[15:0] are set to HPI.HD[15:0]. All address, data, and control signals in the Parallel Port Mux not needed by the HPI are set to parallel general-purpose I/O. The Parallel/Host Port Mux Mode bit field in the External Bus Selection Register (XBSR) will also be set to 0 to reflect the non-multiplexed HPI mode of the Parallel Port Mux.

If GPIO6 is high at reset, the HPI will be enabled in multiplexed mode and the EMIF will be fully enabled: pins A[21:2] are set to EMIF.A[21:2], pins D[31:0] are set to EMIF[31:0], and pins C[15:0] are set to their corresponding EMIF operation. The Parallel/Host Port Mux Mode bit field in the XBSR will be set to 1 to reflect the full EMIF mode of the Parallel Port Mux. Note that in multiplexed mode, the HPI will use the HD[7:0] pins to strobe in address and data information (see Section 3.8, Host-Port Interface (HPI), for more information on the operation of the HPI in multiplexed and non-multiplexed modes).

Table 3-4 lists the individual routing of the EMIF, PGPIO, and HPI signals to the external parallel address, data, and control buses.

Table 3-4. TMS320VC5502 Routing of Parallel Port Mux Signals

PIN	PARALLEL/HOST PORT MUX MODE = 0 (HPI NON-MULTIPLEX)	PARALLEL/HOST PORT MUX MODE = 1 (FULL EMIF)
Address Bus		
A[17:2]	HPI.HA[15:0]	EMIF.A[17:2]
A[21:18]	PGPIO[3:0]	EMIF.A[21:18]
Data Bus		
D[15:0]	HPI.HD[15:0]	EMIF.D[15:0]
D[31:16]	PGPIO[19:4]	EMIF.D[31:16]
Control Bus		
C0	PGPIO20	EMIF. $\overline{\text{ARE}}/\text{SADS}/\text{SDCAS}/\text{SRE}$
C1	PGPIO21	EMIF. $\overline{\text{AOE}}/\text{SOE}/\text{SDRAS}$
C2	PGPIO22	EMIF. $\overline{\text{AWE}}/\text{SWE}/\text{SDWE}$
C3	PGPIO23	EMIF.ARDY
C4	PGPIO24	EMIF. $\overline{\text{CE0}}$
C5	PGPIO25	EMIF. $\overline{\text{CE1}}$
C6	PGPIO26	EMIF. $\overline{\text{CE2}}$
C7	PGPIO27	EMIF. $\overline{\text{CE3}}$
C8	PGPIO28	EMIF. $\overline{\text{BE0}}$
C9	PGPIO29	EMIF. $\overline{\text{BE1}}$
C10	PGPIO30	EMIF. $\overline{\text{BE2}}$
C11	PGPIO31	EMIF. $\overline{\text{BE3}}$
C12	PGPIO32	EMIF.SDCKE
C13	PGPIO33	EMIF. $\overline{\text{SOE3}}$
C14	PGPIO34	EMIF. $\overline{\text{HOLD}}$
C15	PGPIO35	EMIF. $\overline{\text{HOLDA}}$

3.3.2 Host Port Mux

The 5502 Host Port Mux controls the function of 8 data signals (pins HD[7:0]) and 2 control signals (pins HC0 and HC1). The Host Port Mux supports two different modes:

- **8-bit multiplexed mode:** The HPI's 8 data and 2 control signals are routed to their corresponding pins on the Host Port Mux.
- **Parallel general-purpose I/O mode:** All pins on the Host Port Mux are routed to PGPIO. The HPI is enabled to 16-bit (non-multiplexed) mode, but communicates through the Parallel Port Mux.

The mode of the Host Port Mux is determined by the state of the GPIO6 pin at reset. If GPIO6 is low, the pins of the Host Port Mux will be set to PGPIO. The HPI will still be enabled, but it will communicate through the Parallel Port Mux. The Parallel/Host Port Mux Mode bit of the External Bus Control Register will be set to 0 to reflect the PGPIO mode of the Host Port Mux.

If GPIO6 is high, the HPI will be enabled in 8-bit (multiplexed) mode: pins HD[7:0] are set to HPI.HD[7:0], and HC0 and HC1 are set to HPI.HAS and HPI.HBIL, respectively. The Parallel/Host Port Mux Mode bit field in the XBSR will be set to 1 to reflect the HPI multiplexed mode of the Host Port Mux. See Section 3.8, Host-Port Interface (HPI), for more information on the operation of the HPI in multiplexed and non-multiplexed modes.

Table 3-5 lists the individual routing of the HPI and PGPIO signals to the Host Port Mux pins.

Table 3-5. TMS320VC5502 Routing of Host Port Mux Signals

PIN	PARALLEL/HOST PORT MUX MODE = 0 (PGPIO)	PARALLEL/HOST PORT MUX MODE = 1 (8-BIT HPI MULTIPLEXED)
Data Bus		
HD[7:0]	PGPIO[43:36]	HPI.HD[7:0]
Control Bus		
HC0	PGPIO44	HPI.HAS
HC1	PGPIO45	HPI.HBIL

3.3.3 Serial Port 2 Mux

The 5502 has three serial ports: McBSP0, McBSP1, and McBSP2, each of which has six signals. The signals for McBSP0 and McBSP1 are directly routed to pins on the 5502. Four of the pins for McBSP2 are multiplexed with two pins of the on-chip UART and two pins of the GPIO, the mode of the Serial Port 2 Mux determines which signals are routed to the 5502 pins.

The mode of the Serial Port 2 Mux is determined by the state of the GPIO7 pin at reset. If GPIO7 is low, the UART is enabled and its RX and TX pins are routed to the SP1 and SP3 pins, respectively. The GPIO3 and GPIO5 pins are routed to the SP0 and SP2 pins, respectively. In this mode, McBSP2 will be disabled and any writes or reads to/from its registers will result in a bus error if the PERITOEN bit of the Time-Out Control Register is set to 1.

If GPIO7 is high, McBSP2 will be enabled and its CLKX2, CLKR2, FSX2, and FSR2 signals will be routed to the SP0, SP1, SP2, and SP3 pins, respectively. In this mode, the UART will be disabled and any writes or reads to/from its registers will result in a bus error if the PERITOEN bit of the Time-Out Control Register is set to 1. GPIO3 and GPIO5 will not be available during this mode of the Serial Port 2 Mux.

Table 3-6 lists the individual routing of the McBSP2, UART, and GPIO signals to the Serial Port 2 Mux pins.

Table 3-6. TMS320VC5502 Routing of Serial Port 2 Mux Signals

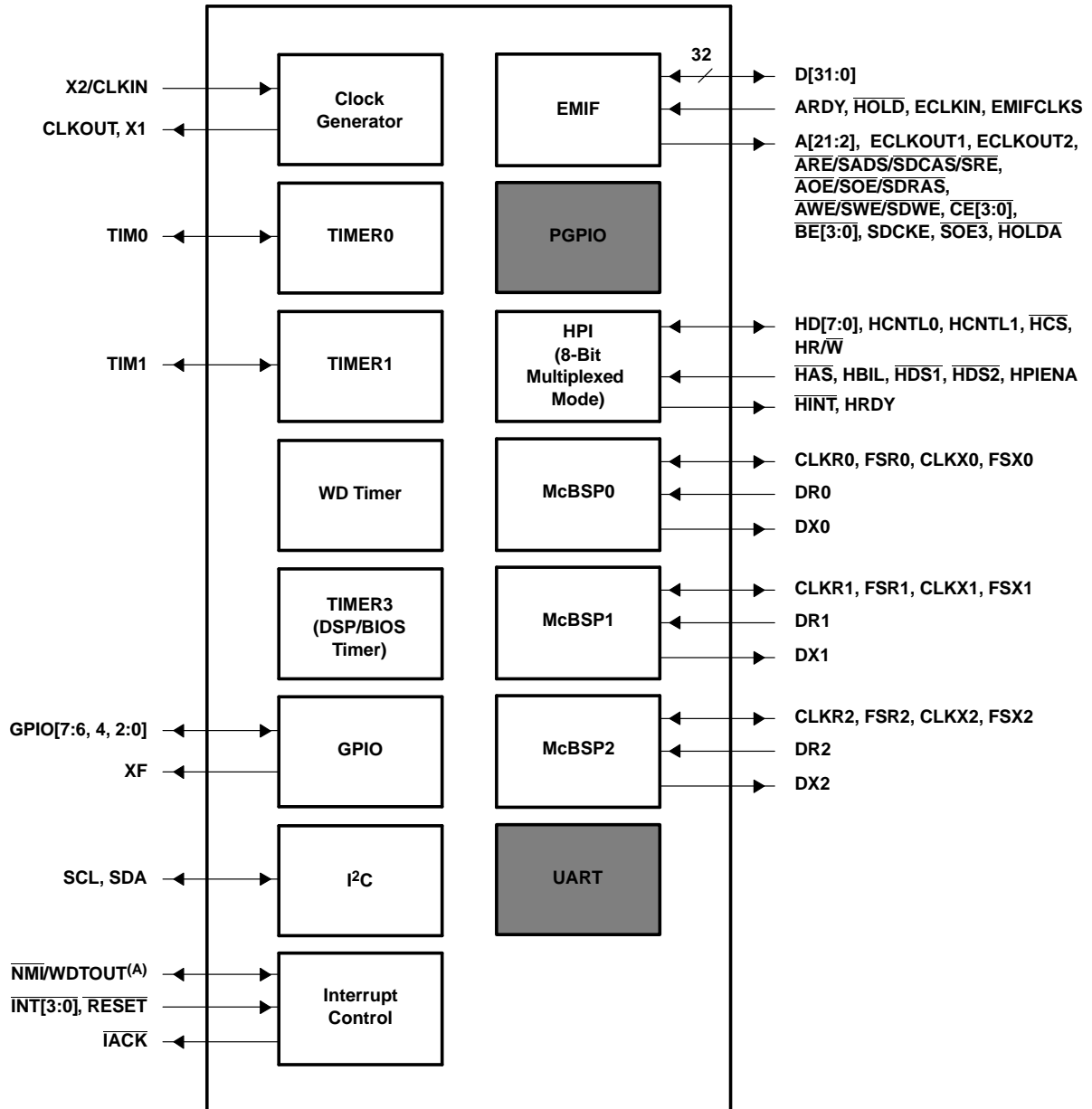
PIN	SERIAL PORT 2 MUX MODE = 0	SERIAL PORT 2 MUX MODE = 1
SP0	GPIO3	CLKX2
SP1	UART.TX	CLKR2
SP2	GPIO5	FSX2
SP3	UART.RX	FSR2

Table 3-7. External Bus Selection Register Bit Field Description

BIT NAME	BIT NO.	ACCESS	RESET VALUE	DESCRIPTION
Reserved	15-4	R	000000000000	Reserved
Reserved	3	R/W	0	Reserved. This reserved bit must be kept as zero during any writes to XBSR.
Serial Port 2 Mux Mode	2	R/W	GPIO7	Serial Port 2 Mux Mode bit. Determines the mode of the third serial port. <ul style="list-style-type: none"> Serial Port 2 Mux Mode = 0: The Serial Port 2 Mux is configured to support the UART and GPIO. In this mode, the UART is enabled and its two signals are routed to the corresponding pins on the Serial Port 2 Mux. GPIO3 and GPIO5 are also routed to their corresponding pins on the Serial Port 2 Mux. Serial Port 2 Mux Mode = 1: The Serial Port 2 Mux is configured to support the McBSP2. In this mode, the McBSP2 is enabled and its six signals are routed to their corresponding pins on the Serial Port 2 Mux.
Reserved	1	R	0	Reserved
Parallel/Host Port Mux Mode	0	R/W	GPIO6	Parallel/Host Port Mux Mode bit. Determines the mode of the Parallel Port Mux and the Host Port Mux. <ul style="list-style-type: none"> Parallel/Host Port Mux Mode = 0: The Parallel Port Mux is configured to support the HPI in 16-bit (non-multiplexed) mode and PGPIO. In this mode, the HPI is enabled and its 16 address, 16 data, and 9 control signals are routed to their corresponding pins on the Parallel Port Mux. The rest of the pins are routed to PGPIO. The EMIF cannot be used in this mode. The Host Port Mux is configured to support PGPIO. In this mode, the Host Port Mux pins will be routed to PGPIO. Parallel/Host Port Mux Mode = 1: The Parallel Port Mux is configured to support the 32-bit EMIF. In this mode, the EMIF is enabled and its 20 address, 32 data, and 16 control signals are routed to their corresponding pins on the Parallel Port Mux. The Host Port Mux is configured to support the HPI in 8-bit (multiplexed) mode. In this mode, the HPI is enabled and its eight data/address and two control signals are routed to their corresponding pins on the Host Port Mux.

3.4 Configuration Examples

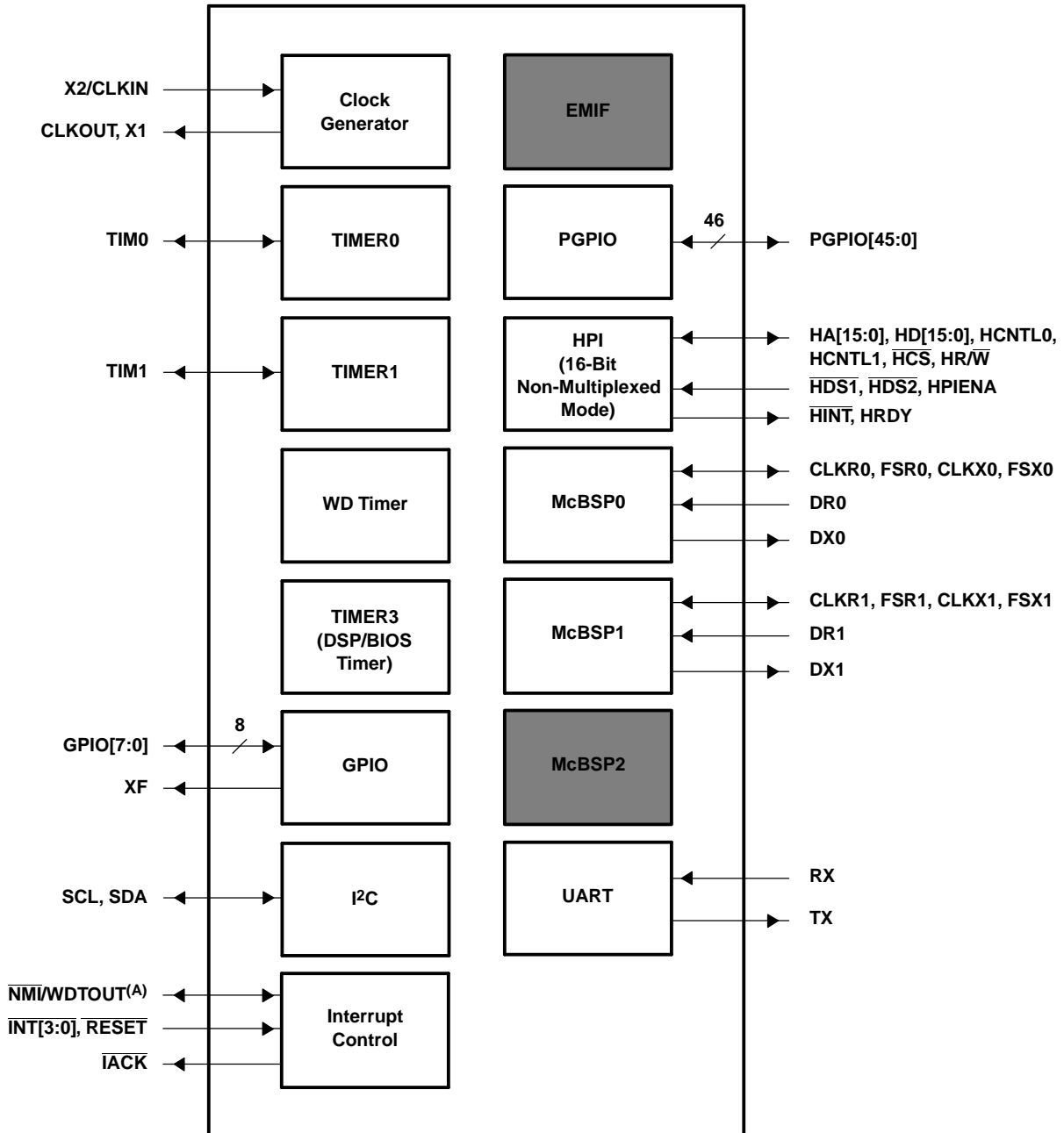
Figure 3-4 and Figure 3-5 illustrate example configurations for the 5502 based on the state of GPIO6 and GPIO7 at reset.



■ Shading denotes a peripheral module not available for this configuration.

(A) The $\overline{\text{NMI}}/\text{WDTOUT}$ pin has $\overline{\text{NMI}}$ function by default, but can be set to WDTOUT through the TSSR.

**Figure 3-4. Configuration Example A
(GPIO6 = 1 and GPIO7 = 1 at Reset)**



■ Shading denotes a peripheral module not available for this configuration.

(A) The $\overline{\text{NMI}}/\text{WDTOUT}$ pin has $\overline{\text{NMI}}$ function by default, but can be set to WDTOUT through the TSSR.

**Figure 3-5. Configuration Example B
(GPIO6 = 0 and GPIO7 = 0 at Reset)**

3.5 Timers

The 5502 has four 64-bit timers: Timer 0, Timer 1, Watchdog Timer (WDT), and Timer 3. The first two timers, Timer 0 and Timer 1, are mainly used as general-purpose timers. The third timer, the Watchdog Timer, can be used as either a general-purpose timer or a watchdog timer. The fourth timer is reserved as a DSP/BIOS counter; users have no access to this timer.

Each timer has one input, one output, and one interrupt signal: TIN, TOUT, and TINT, respectively. Timer 0, Timer 1, and the Watchdog Timer are each assigned a pin: TIM0 pin is assigned to Timer 0, TIM1 is assigned to Timer 1, and $\overline{\text{NMI}}/\text{WDTOUT}$ is used by the Watchdog Timer. The input (TIN) or output (TOUT) signal of Timer 0, Timer 1, and the Watchdog Timer can be connected to their respective pins via the Timer Signal Selection Register (TSSR).

The DSP/BIOS timer input, output, and interrupt signals are not internally connected. No interrupts are needed from this timer; therefore, the timer interrupt signal is not internally connected to the CPU interrupt logic.

The interrupt signal (TINT) of the Watchdog Timer can be internally connected to the $\overline{\text{NMI}}$, $\overline{\text{RESET}}$, and $\overline{\text{INT3}}$ signals via the TSSR.

Note that the $\overline{\text{NMI}}/\text{WDTOUT}$ pin has a dual function: Watchdog Timer pin and $\overline{\text{NMI}}$ input pin. The function of the $\overline{\text{NMI}}/\text{WDTOUT}$ pin can be selected through the TSSR.

For more information on the 5502 timers, see the *TMS320VC5501/5502 DSP Timers Reference Guide* (literature number SPRU618).

3.5.1 Timer Interrupts

As stated earlier, each timer has one input, one output, and one interrupt signal: TIN, TOUT, and TINT, respectively. The interrupt signals of Timer 0 and Timer 1 are directly connected to the interrupt logic of the DSP (see Figure 3-6). The interrupts for Timer 0 and Timer 1 are maskable and can be enabled or disabled through the TINT0 and TINT1 bits of the interrupt enable registers (IER0 and IER1); setting TINT0 of IER0 to '1' enables the interrupt for Timer 0 and setting TINT1 of IER1 enables the interrupt for Timer 1.

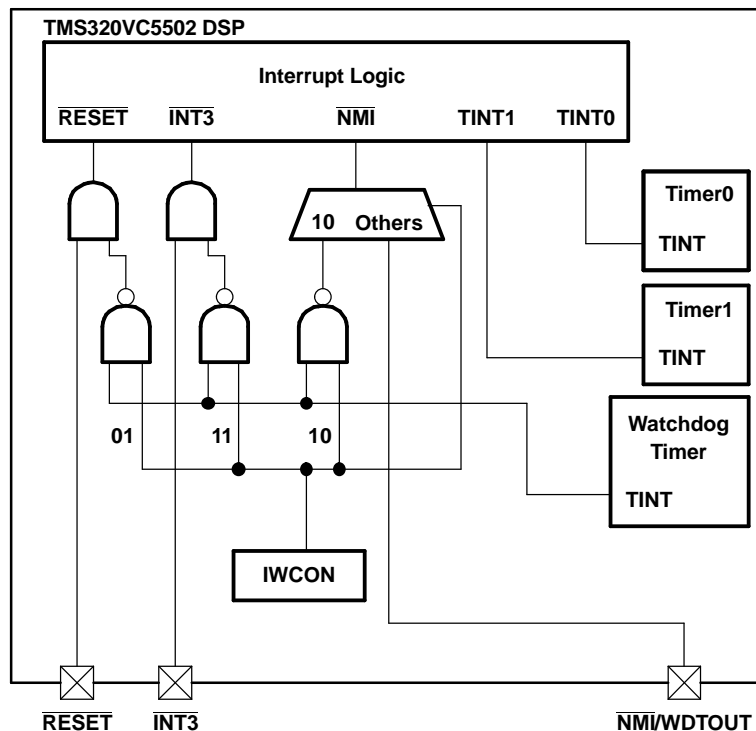


Figure 3-6. Timer Interrupts

The interrupt signal for the Watchdog Timer can be internally connected to the $\overline{\text{RESET}}$, $\overline{\text{INT3}}$, or $\overline{\text{NMI}}$ signals by setting the IWCON bit of the Timer Signal Selection Register (TSSR) appropriately (see Figure 3-6). The DSP will be reset once the Watchdog Timer generates an interrupt if the timer interrupt is connected to $\overline{\text{RESET}}$ (IWCON = '01'). A non-maskable interrupt will be generated if the timer interrupt is connected to $\overline{\text{NMI}}$ (IWCON = '10'). An external interrupt will be generated when the timer interrupt signal is connected to $\overline{\text{INT3}}$ (IWCON = '11'), but only if the INT3 bit of IER0 is set to '1'.

Refer to Section 3.17, Interrupts, for more information on using interrupts.

3.5.2 Timer Pins

The 5502 has one pin for each timer: TIM0 for Timer 0, TIM1 for Timer 1, and $\overline{\text{NMI}}/\text{WDTOUT}$ for the Watchdog Timer. Either the output (TOUT) or input (TIN) signal can be connected to the timer pin (see Figure 3-7). When the timer pin is configured as an output, the TOUT signal is connected to the pin. The TIN signal is connected to the pin when the pin is configured as an input. Each pin can be configured as input or output through the Timer Signal Selection Register (TSSR) (bits TIM0_MODE, TIM1_MODE, and WDT_MODE).

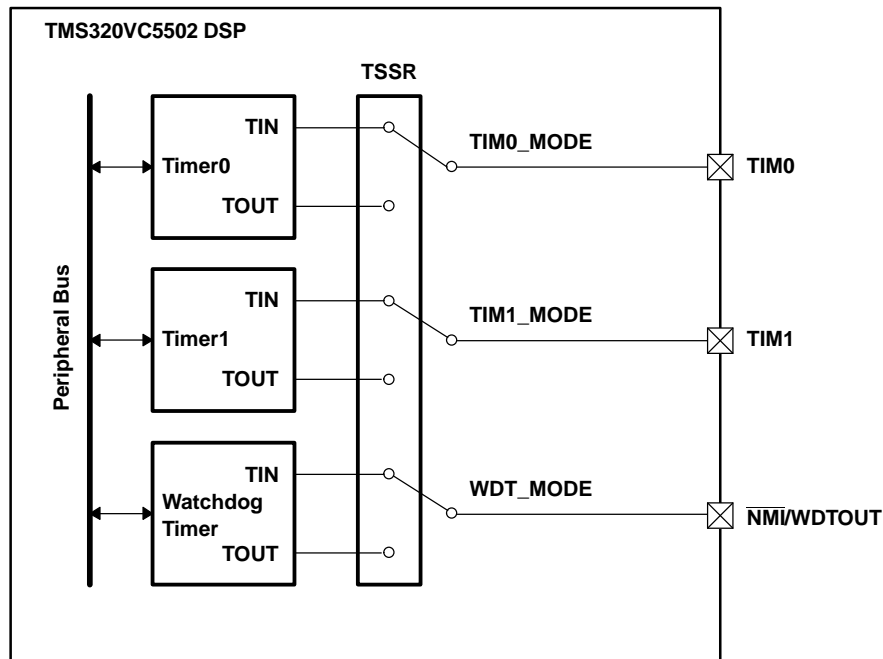


Figure 3-7. Timer Pins

When configured as input, the timer pin can be used to source an external clock to the timer. Also, when the timer pin is configured as input and the timer is running off an internal clock, the timer pin can be used to start or stop count of the timer (clock gating).

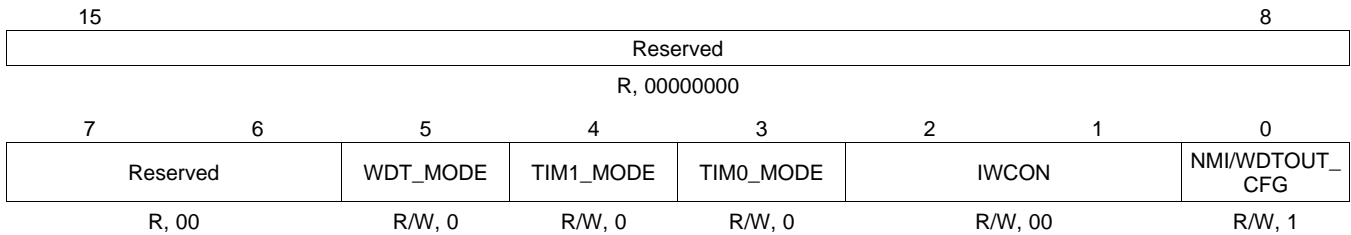
When the timer pin is configured as an output, the timer pin can signal a pulse (pulse mode) or a change of state (clock mode) when the timer count matches its period.

The $\overline{\text{NMI}}/\text{WDTOUT}$ pin has two functions: Watchdog Timer pin or $\overline{\text{NMI}}$ pin. The NMI/WDTOUT_CFG bit of the TSSR controls the function of this pin. It is possible to configure the $\overline{\text{NMI}}/\text{WDTOUT}$ pin as $\overline{\text{NMI}}$ (NMI/WDTOUT_CFG = '1') and also connect the Watchdog Timer TINT signal to the $\overline{\text{NMI}}$ signal (IWCON = '10'). In this case, the external $\overline{\text{NMI}}$ signal will be overridden by the TINT signal of the Watchdog Timer, i.e., applying a signal to the $\overline{\text{NMI}}/\text{WDTOUT}$ pin will *not* generate the non-maskable interrupt $\overline{\text{NMI}}$.

For all three timers (Timer 0, Timer 1, and the Watchdog Timer), both the TIN and TOUT signals can be used for general-purpose input/output. The timer pin must be configured for input to use the TIN signal as general-purpose input/output. The timer pin can be configured as an input by setting the pin mode bit of the Timer Signal Selection Register (TSSR) to '0'. The TOUT signal can be used as general-purpose input/output if the timer pin is configured for output. The timer pin can be configured as an output by setting the pin mode bit of the TSSR to '1'. The GPIO Enable Register (GPEN), GPIO Direction Register (GPIODIR), and the GPIO Data Register (GPDAT) of each timer can be used to control the state of the timer pins when used as general-purpose input/output.

3.5.3 Timer Signal Selection Register (TSSR)

The Timer Signal Selection Register (TSSR) controls several pin characteristics for Timer 0, Timer 1, and the Watchdog Timer. The TSSR can be used to specify whether the pins of Timer 0, Timer 1, and the Watchdog Timer are inputs or outputs. The TSSR also determines how the interrupt signal of the Watchdog Timer is connected internally and sets the function for the $\overline{\text{NMI}}$ /WDTOUT pin of the 5502. By default, all timer pins (TIM0, TIM1, and $\overline{\text{NMI}}$ /WDTOUT) are set as inputs, the interrupt signal of the Watchdog Timer is not internally connected to anything, and the $\overline{\text{NMI}}$ /WDTOUT pin has the function of the NMI signal.



LEGEND: R = Read, W = Write, n = value at reset

Figure 3-8. Timer Signal Selection Register Layout (0x8000)

Table 3-8. Timer Signal Selection Register Bit Field Description

BIT NAME	BIT NO.	ACCESS	RESET VALUE	DESCRIPTION
Reserved	15-6	R	0000000000	Reserved
WDT_MODE	5	R/W	0	WDT pin mode <ul style="list-style-type: none"> WDT_MODE = 0: WDTOUT pin is used as the timer input pin. WDT_MODE = 1: WDTOUT pin is used as the timer output pin.
TIM1_MODE	4	R/W	0	TIM1 pin mode <ul style="list-style-type: none"> TIM1_MODE = 0: TIM1 pin is used as the timer input pin. TIM1_MODE = 1: TIM1 pin is used as the timer output pin.
TIM0_MODE	3	R/W	0	TIM0 pin mode <ul style="list-style-type: none"> TIM0_MODE = 0: TIM0 pin is used as the timer input pin. TIM0_MODE = 1: TIM0 pin is used as the timer output pin.

Table 3-8. Timer Signal Selection Register Bit Field Description (continued)

BIT NAME	BIT NO.	ACCESS	RESET VALUE	DESCRIPTION
IWCON	2:1	R/W	00	Internal WDT output signal connection <ul style="list-style-type: none"> IWCON = 00: Internal watchdog timer interrupt (TINT) signal has no internal connection. IWCON = 01: Internal watchdog timer interrupt (TINT) signal has an internal connection to RESET pin. IWCON = 10: Internal watchdog timer interrupt (TINT) signal has an internal connection to $\overline{\text{NMI}}$ pin.⁽¹⁾ IWCON = 11: Internal watchdog timer interrupt (TINT) signal has an internal connection to INT3 pin.
NMI/WDTOUT_CFG	0	R/W	1	$\overline{\text{NMI}}$ /WDTOUT configuration <ul style="list-style-type: none"> NMI/WDTOUT_CFG = 0: $\overline{\text{NMI}}$/WDTOUT pin is used as the WDTOUT pin. NMI/WDTOUT_CFG = 1: $\overline{\text{NMI}}$/WDTOUT pin is used as the $\overline{\text{NMI}}$ input pin.⁽¹⁾

(1) If NMI/WDTOUT_CFG = 1 and IWCON = 10, only the WDTOUT signal will drive the $\overline{\text{NMI}}$ signal; the external source driving the $\overline{\text{NMI}}$ /WDTOUT pin will be ignored.

3.6 Universal Asynchronous Receiver/Transmitter (UART)

The UART peripheral is based on the industry-standard TL16C550B asynchronous communications element, which in turn, is a functional upgrade of the TL16C450. Functionally similar to the TL16C450 on power up (character or TL16C450 mode), the UART can be placed in an alternate FIFO (TL16C550) mode. This relieves the CPU of excessive software overhead by buffering received and transmitted characters. The receiver and transmitter FIFOs store up to 16 bytes, including three additional bits of error status per byte for the receiver FIFO.

The UART performs serial-to-parallel conversions on data received from a peripheral device or modem and parallel-to-serial conversion on data received from the CPU. The CPU can read the UART status at any time. The UART includes control capability and a processor interrupt system that can be configured to minimize software management of the communications link.

The UART includes a programmable baud rate generator capable of dividing the CPU clock by divisors from 1 to 65535 and producing a 16× reference clock for the internal transmitter and receiver logic.

The UART pins are multiplexed with the pins of McBSP2. The Serial Port 2 Mux determines which pins are connected to the SP0, SP1, SP2, and SP3. If GPIO7 is low at reset, the Serial Port 2 Mux Mode bit in the External Bus Selection Register (XBSR) will be set to 0 to indicate that the UART module is enabled. In this mode, the TX and RX signals of the UART will be routed to the SP1 and SP3 pins, respectively. If GPIO7 is high at reset, the Serial Port 2 Mux Mode bit will be set to 1 to indicate that the UART module is disabled. In this mode, any reads or writes to the UART registers will result in bus errors if the PERITOEN bit of the Time-Out Control Register is set to 1.

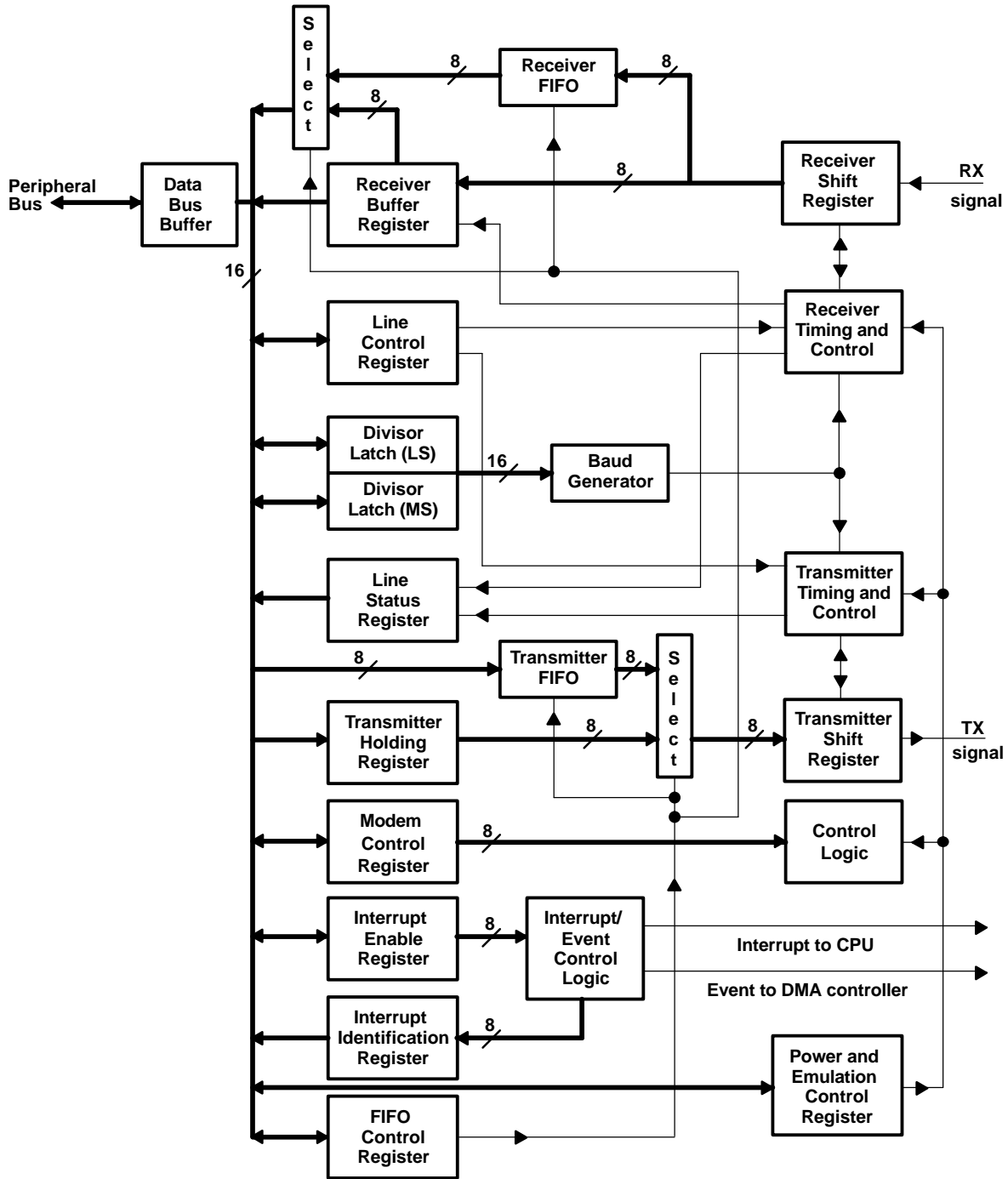


Figure 3-9. UART Functional Block Diagram

3.7 Inter-Integrated Circuit (I²C) Module

The TMS320VC5502 also includes an I²C serial port for control purposes. Features of the I²C port include:

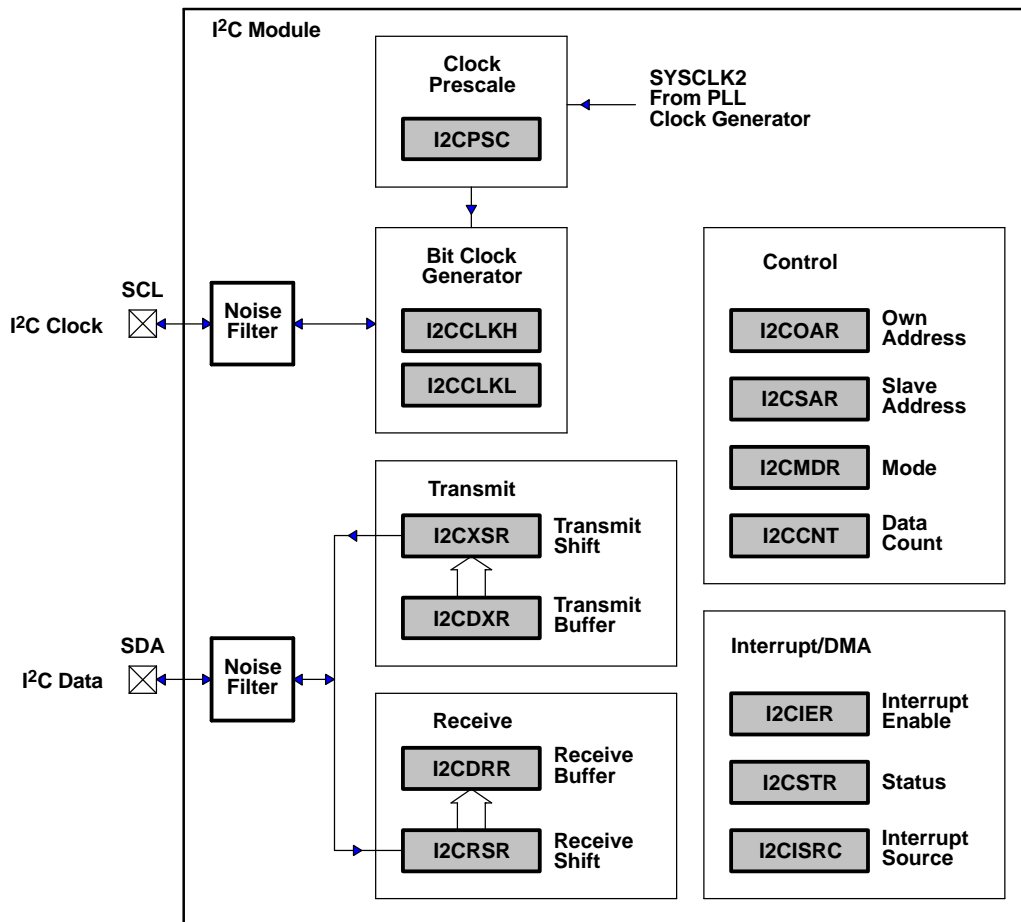
- Compatibility with Philips' I²C-Bus Specification, Version 2.1 (January 2000)
- Fast mode up to 400 Kbps (no fail-safe I/O buffers)
- Noise filters (on the SDA and SCL pins) to suppress noise of 50 ns or less (I²C module clock *must* be in the range of 7 MHz to 12 MHz)
- 7-bit and 10-bit device addressing modes
- Master (transmit/receive) and slave (transmit/receive) functionality
- Events: DMA, interrupt, or polling
- Slew-rate limited open-drain output buffers

The I²C module clock *must* be in the range of 7 MHz to 12 MHz. This is necessary for the proper operation of the I²C module.

NOTE

For additional information, see the *TMS320VC5501/5502/5503/5507/5509 DSP Inter-Integrated Circuit (I²C) Module Reference Guide* (literature number SPRU146).

Figure 3-10 is a block diagram of the I²C module.



A. Shading denotes control/status registers.

Figure 3-10. I²C Module Block Diagram

3.8 Host-Port Interface (HPI)

The 5502 HPI provides an interface to a host with the following features:

- 16-bit host address bus and 16-bit host data bus (non-multiplexed mode only)
- Multiplexed and non-multiplexed modes
- Host access to on-chip DARAM (excluding CPU memory-mapped registers)
- 16-bit address register with autoincrement capability for faster transfers
- Multiple address/data strobes provide a glueless interface to a variety of hosts
- HRDY signal for handshaking with host

The 5502 HPI can access the entire DARAM space of the 5502 (excluding memory-mapped CPU registers); however, it does not have access to external memory of the peripheral I/O space. Furthermore, the HPI cannot access internal DARAM space when the device is in reset. Note that all accesses made through the HPI are word-addressed.

NOTE

No host access should occur when the HPI is placed in IDLE. The host cannot wake up the DSP through the DSP_INT bit of the HPIC register when the DSP is in IDLE mode.

The 5502 HPI supports both multiplexed 8-bit and non-multiplexed 16-bit modes. One of these two modes can be selected via the GPIO6 pin. At reset, if GPIO6 is low, the HPI non-multiplexed 16-bit mode is enabled and some of the HPI signals can be used as GPIOs. If GPIO6 is high, the HPI can be used in multiplexed 8-bit mode. Similarly, some of the HPI signals can be used as GPIOs. (See Section 3.3.2, Host Port Mux, for more information on pin multiplexing for both modes of the HPI.)

When GPIO6 is low at reset, the 5502 HPI will be configured in non-multiplexed mode. In this mode, pins A[17:2] and pins D[15:0] of the Parallel Port Mux will be set to HPI.HA[15:0] and HPI.HD[15:0], respectively. In non-multiplexed mode, the host can read/write 16-bit data from the 5502's internal memory by using the 16-bit address and data bus and the HPI control signals [see the *TMS320VC5501/5502 DSP Host Port Interface (HPI) Reference Guide* (literature number SPRU620) for more information on the 5502 HPI]. Note that in this mode, the 5502 EMIF will be disabled.

When GPIO6 is high at reset, the 5502 HPI will be configured in multiplexed mode. In this mode, pins HD[7:0], HC0, and HC1 of the Host Port Mux will be set to HPI.HD[7:0], HPI.HAS, and HPI.HBIL, respectively. In multiplexed mode, the host can only send 8 bits of data at a time through the HPI.HD[7:0] bus; therefore, some extra steps have to be taken to read/write from the 5502's internal memory [see the *TMS320VC5501/5502 DSP Host Port Interface (HPI) Reference Guide* (literature number SPRU620) for more information on the 5502 HPI]. Note that in this mode, the EMIF is fully enabled.

The 5502 HPI has its own register set, therefore the HINT bit of CPU register ST3_55 is not used for DSP-to-host interrupts. The HINT bit in the Host Port Control Register (HPIC) should be used for DSP-to-host interrupts.

A host must not initiate any transfer requests from the HPI while the HPI is being brought out of reset. As described in Section 3.10.6, Reset Sequence, the C55x CPU and the peripherals are not brought out of reset immediately after the RESET pin transitions from low to high. Instead, an internal counter stretches the reset signal to allow enough time for the internal oscillator to stabilize and also to allow the reset signal to propagate through different parts of the device. The IACK pin will go low for two CPU clock cycles to indicate that this internal reset signal has been deasserted. A host must follow one of these two requirements before initiating transfer requests from the HPI:

1. Keep the HPIENA pin low until the internal reset signal has been deasserted.
2. Keep the HCS, HDS1, and HDS2 pins inactive until the internal reset signal has been deasserted.

Note that when the HPI bootmode is used, the GPIO4 pin can also be used to determine when the internal reset signal has been deasserted as this pin is used by the HPI to signal to the host that it is ready to receive access requests.

3.9 Direct Memory Access (DMA) Controller

The 5502 DMA provides the following features:

- Four standard ports for the following data resources: two for DARAM, one for Peripherals, and one for External Memory
- Six channels, which allow the DMA controller to track the context of six independent DMA channels
- Programmable low/high priority for each DMA channel
- One interrupt for each DMA channel
- Event synchronization. DMA transfers in each channel can be dependent on the occurrence of selected events.
- Programmable address modification for source and destination addresses
- Idle mode that allows the DMA controller to be placed in a low-power (idle) state under software control

The 5502 has an Auto-wakeup/Idle function for McBSP to DMA to on-chip memory data transfers when the DMA and the McBSP are both set to IDLE. In the case that the McBSP is set to external clock mode and the McBSP and the DMA are set to idle, the McBSP and the DMA can wake up from IDLE state automatically if the McBSP gets a new data transfer. The McBSP and the DMA enter the idle state automatically after data transfer is complete. [The clock generator (PLL) should be active and the PLL core should not be in power-down mode for the Auto-wakeup/Idle function to work.]

The 5502 DMA controller allows transfers to be synchronized to selected events. The 5502 supports 16 separate synchronization events and each channel can be tied to separate synchronization event independent of the other channels. Synchronization events are selected by programming the SYNC field in the channel-specific DMA Channel Control Register (DMA_CCR).

The 5502 DMA can access all the internal DARAM space as well as all external memory space. The 5502 DMA also has access to the registers for the following peripheral modules: McBSP, UART, GPIO, PGPIO, and I²C.

3.9.1 DMA Channel 0 Control Register (DMA_CCR0)

The DMA Channel 0 Control Register (DMA_CCR0) bit layouts are shown in Figure 3-11. DMA_CCR1 to DMA_CCR5 have similar bit layouts. See the *TMS320VC5501/5502 DSP Direct Memory Access (DMA) Controller Reference Guide* (literature number SPRU613) for more information on the DMA Channel n Control Register (n = 0, 1, 2, 3, 4, or 5).

15	14	13	12	11	10	9	8
DSTAMODE		SRCAMODE		ENDPROG	WP	REPEAT	AUTOINIT
R/W, 00		R/W, 00		R/W, 0	R/W, 0	R/W, 0	R/W, 0
7	6	5	4	0			
EN	PRIO	FS	SYNC				
R/W, 0	R/W, 0	R/W, 0	R/W, 00000				

LEGEND: R = Read, W = Write, n = value at reset

Figure 3-11. DMA Channel 0 Control Register Layout (0x0C01)

The SYNC field (bits[4:0]) of the DMA_CCR register specifies the event that can initiate the DMA transfer for the corresponding DMA channel. The five bits allow several configurations as listed in Table 3-9. The bits are set to zero upon reset. For those synchronization modes with more than one peripheral listed, the Serial Port 2 Mux Mode bit field of the External Bus Selection Register (XBSR) dictates which peripheral event is actually connected to the DMA input.

Table 3-9. Synchronization Control Function

SYNC FIELD IN DMA_CCR	SYNCHRONIZATION MODE
00000b	No event synchronized
00001b	McBSP 0 Receive Event (REVT0)
00010b	McBSP 0 Transmit Event (XEVT0)
00011b	Reserved (Do not use this value)
00100b	Reserved (Do not use this value)
00101b	McBSP1 Receive Event (REVT1)
00110b	McBSP1 Transmit Event (XEVT1)
00111b	Reserved (Do not use this value)
01000b	Reserved (Do not use this value)
01001b	Reserved/McBSP Event <ul style="list-style-type: none"> • Serial Port 2 Mux Mode = 0: Reserved • Serial Port 2 Mux Mode = 1: McBSP2 Receive Event (REVT2)
01010b	Reserved/McBSP Event <ul style="list-style-type: none"> • Serial Port 2 Mux Mode = 0: Reserved • Serial Port 2 Mux Mode = 1: McBSP2 Transmit Event (XEVT2)
01011b	Reserved/UART Event <ul style="list-style-type: none"> • Serial Port 2 Mux Mode = 0: UART Receive Event (UARTREVT) • Serial Port 2 Mux Mode = 1: Reserved
01100b	Reserved/UART Event <ul style="list-style-type: none"> • Serial Port 2 Mux Mode = 0: UART Transmit Event (UARTXEVT) • Serial Port 2 Mux Mode = 1: Reserved
01101b	Timer 0 Event
01110b	Timer 1 Event
01111b	External Interrupt 0
10000b	External Interrupt 1
10001b	External Interrupt 2
10010b	External Interrupt 3
10011b	I ² C Receive Event
10100b	I ² C Transmit Event
Other values	Reserved (Do not use these values)

3.10 System Clock Generator

The TMS320VC5502 includes a flexible clock generator module consisting of a PLL and oscillator, with several dividers so that different clocks may be generated for different parts of the system (i.e., 55x core, Fast Peripherals, Slow Peripherals, External Memory Interface). Figure 3-12 provides an overview of the system clock generator included in the 5502.

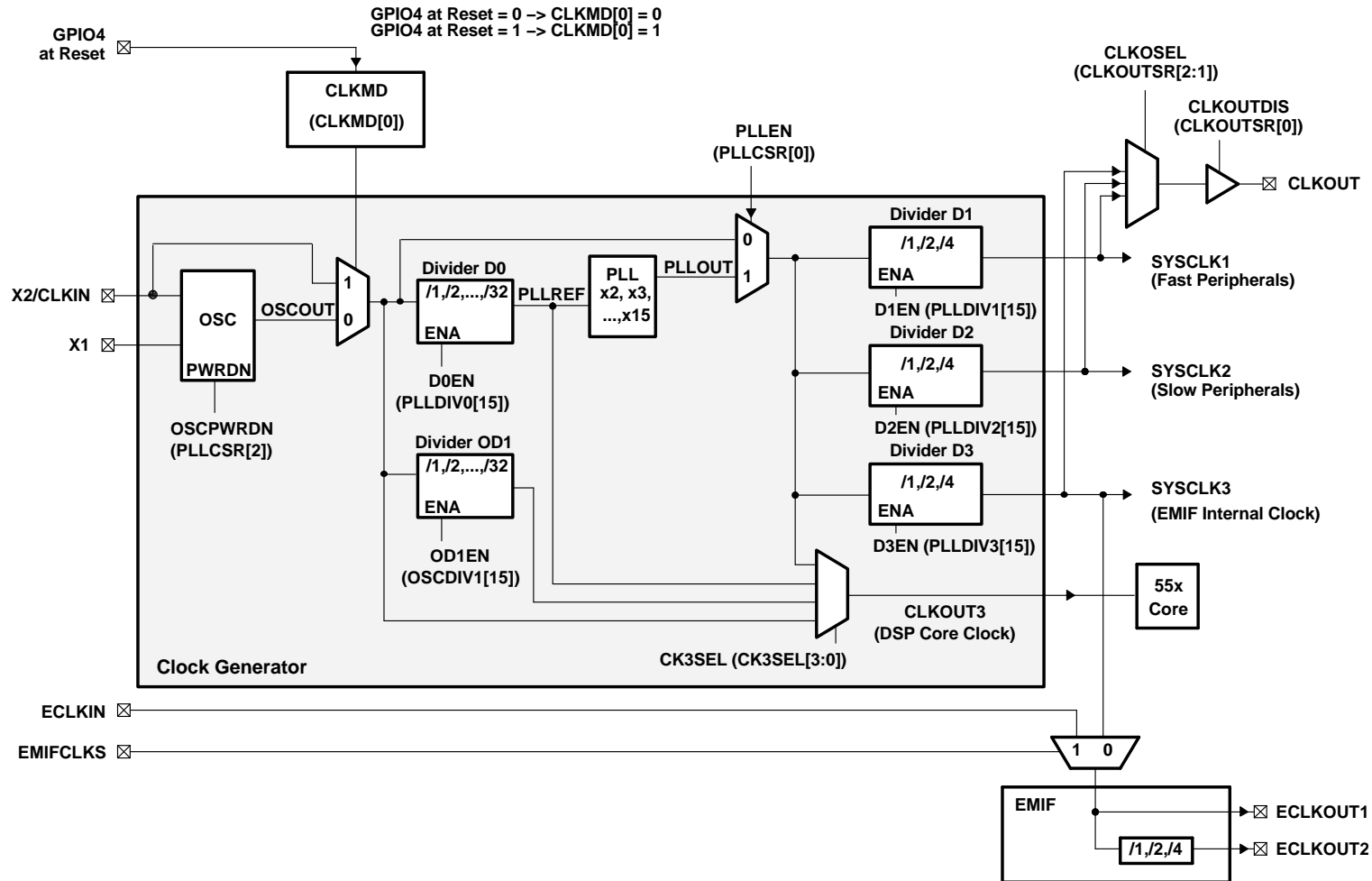


Figure 3-12. System Clock Generator

3.10.1 Input Clock Source

The clock input to the 5502 can be sourced from either an externally generated 3.3-V clock input on the X2/CLKIN pin, or from the on-chip oscillator if an external crystal circuit is attached to the device as shown in Figure 3-13. The CLKMD0 bit of the Clock Mode Control Register (CLKMD) determines which clock, either OSCOUT or X2/CLKIN, is used as an input clock source to the DSP. If GPIO4 is low at reset, the CLKMD0 bit of the Clock Mode Control Register (CLKMD) will be set to '0' and the internal oscillator and the external crystal will generate the input clock to the DSP. If GPIO4 is high, the CLKMD0 bit will be set to '1' and the input clock will be taken directly from the X2/CLKIN pin.

The input clock source to the DSP can be directly used to generate the clocks to other parts of the system (Bypass Mode) or it can be multiplied by a value from 2 to 15 and divided by a value from 1 to 32 to achieve a desired frequency (PLL Mode). The PLEN bit of the PLL Control/Status Register (PLLCSR) is used to select between the PLL and bypass modes of the clock generator.

The clock generated through either the PLL Mode or the Bypass Mode can be further divided down to generate a clock source for other parts of the system, or Clock Groups. Clock groups allow for lower power and performance optimization since the frequency of groups with no high-speed requirements can be set to one-fourth or one-half the frequency of other groups. A description of the different clock groups included in the 5502 and the procedure for changing the operating frequency for those clock groups are described later in this section.

3.10.1.1 Internal System Oscillator With External Crystal

The 5502 includes an internal oscillator which can be used in conjunction with an external crystal to generate the input clock to the DSP. The oscillator requires an external crystal connected across the X1 and X2/CLKIN pins. If the internal oscillator is not used, an external clock source must be applied to the X2/CLKIN pin and the X1 pin should be left unconnected. Since the internal oscillator can be used as a clock source to the PLL, the crystal oscillation frequency can be multiplied to generate the input clock to the different clock groups of the DSP.

The crystal should be in fundamental-mode operation, and parallel resonant, with a maximum effective series resistance (ESR) as specified in Table 3-10. The connection of the required circuit is shown in Figure 3-13. Under some conditions, all the components shown are not required. The capacitors, C_1 and C_2 , should be chosen such that the equation below is satisfied. C_L in the equation is the load specified for the crystal that is also specified in Table 3-10.

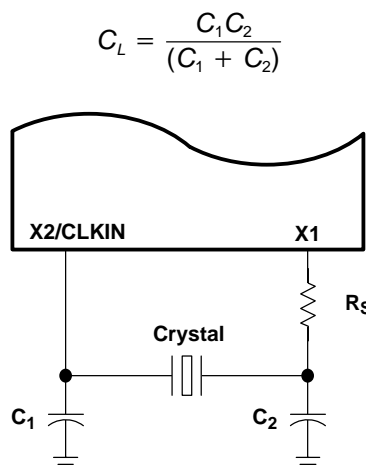


Figure 3-13. Internal System Oscillator With External Crystal

Table 3-10. Recommended Crystal Parameters

FREQUENCY RANGE (MHz)	MAXIMUM ESR SPECIFICATIONS (Ω)	C_{LOAD} (pF)	MAXIMUM C_{SHUNT} (pF)	R_S (k Ω)
20-15	40	10	7	0
15-12	40	16	7	0
12-10	40	16	7	2.8
10-8	60	18	7	2.2
8-6	60	18	7	8.8
6-5	80	18	7	14

The recommended ESR is presented as a maximum, and theoretically, a crystal with a lower maximum ESR might seem to meet these specifications. However, it is recommended that crystals with actual maximum ESR specifications as shown in Table 3-10 be used since this will result in maximum crystal performance reliability.

The internal oscillator can be set to power-down mode through the use of the OSCPWRDN bit in the PLL Control/Status Register (PLLCSR). If the internal oscillator and the external crystal are generating the input clock for the DSP (CLKMD0 = 0), the internal oscillator will be set to power-down mode when the OSCPWRDN bit is set to 1 and the clock generator is set to its idle mode (CLKIS bit of the IDLE Status Register (ISTR) becomes 1). If the X2/CLKIN pin is supplying the input clock to the DSP (CLKMD0 = 1), the internal oscillator will be set to power-down immediately after the OSCPWRDN bit is set to 1.

The 5502 has internal circuitry that will count down a predetermined number of clock cycles (41,032 reference clock cycles) to allow the oscillator input to become stable after waking up from power-down state or after reset. If a reset is asserted, program flow will start after all stabilization periods have expired; this includes the oscillator stabilization period only if GPIO4 is low at reset. If the oscillator is coming out of power-down mode, program flow will start immediately after the oscillator stabilization period has completed. See Section 3.10.6, Reset Sequence, for more details on program flow after reset or after oscillator power-down. See Section 3.11, Idle Control, for more information on the oscillator power-down mode.

3.10.1.2 Clock Generation With PLL Disabled (Bypass Mode, Default)

After reset, the PLL multiplier (M1) and its divider (D0) will be bypassed by default and the input clock to point C in Figure 3-14 will be taken from, depending on the state of the GPIO4 pin after reset, either the internal oscillator or the X2/CLKIN pin. The PLL can be taken out of bypass mode as described in Section 3.10.4.1, C55x Subsystem Clock Group.

3.10.1.3 Clock Generation With PLL Enabled (PLL Mode)

When not in bypass mode, the frequency of the input clock can be divided down by a programmable divider (D0) by any factor from 1 to 32. The output clock of the divider can be multiplied by any factor from 2 to 15 through a programmable multiplier (M1). The divider factor can be set through the PLLDIV0 bit of the PLL Divider 0 Register. The multiplier factor can be set through the PLLM bits of the PLL Multiplier Control Register.

There is a specific minimum and maximum reference clock (PLLREF) and output clock (PLLOUT) for the block labeled "PLL" in Figure 3-12, as well as for the C55x Core clock (CLKOUT3), the Fast Peripherals clock (SYSCLK1), the Slow Peripherals clock (SYSCLK2), and the EMIF internal clock (SYSCLK3). The clock generator must not be configured to exceed any of these constraints (certain combinations of external clock input, internal dividers, and PLL multiply ratios might not be supported). See Table 3-11 for the PLL clock input and output frequency ranges.

3.10.1.4 Frequency Ranges for Internal Clocks

There are specific minimum and maximum reference clocks for all of the internal clocks. Table 3-11 lists the minimum and maximum frequencies for the internal clocks of the TMS320VC5502.

Table 3-11. Internal Clocks Frequency Ranges⁽¹⁾

CLOCK SIGNAL	VC5502-200		VC5502-300		UNIT
	MIN	MAX	MIN	MAX	
OSCOOUT (CLKMD = 0)	5	20	5	20	MHz
PLLREF (PLLEN = 1)	12	100	12	100	MHz
PLLOUT (PLLEN = 1)	70	200	70	300	MHz
CLKOUT3	–	200	–	300	MHz
SYSCLK1	–	150	–	150	MHz
SYSCLK2	–	SYSCLK1	–	SYSCLK1	MHz
SYSCLK3	–	SYSCLK1 ⁽²⁾	–	SYSCLK1 ⁽²⁾	MHz

- (1) Also see the electrical specification (timing requirements and switching characteristics parameters) in Section 5.6, Clock Options, of this data manual.
- (2) When an internal clock is used for the EMIF module, the frequency for SYSCLK3 must also be less than or equal to 100 MHz. When an external clock is used, the maximum frequency of SYSCLK3 can be equal to or less than the frequency of SYSCLK1; however, the frequency of the clock signal applied to the ECLKIN pin must be less than or equal to 100 MHz.

3.10.2 Clock Groups

The TMS320VC5502 has four clock groups: the C55x Subsystem Clock Group, the Fast Peripherals Clock Group, the Slow Peripherals Clock Group, and the External Memory Interface Clock Group. Clock groups allow for lower power and performance optimization since the frequency of groups with no high-speed requirements can be set to 1/4 or 1/2 the frequency of other groups.

3.10.2.1 C55x Subsystem Clock Group

The C55x Subsystem Clock Group includes the C55x CPU core, internal memory (DARAM and ROM), the ICACHE, and all CPU-related modules. The input clock to this clock group is taken from the CLKOUT3 signal (as shown in Figure 3-12), the source of which can be controlled through the CLKOUT3 Select Register (CK3SEL). The different options for the CLKOUT3 signal are intended for test purposes; it is recommended that the CK3SEL bits of the CK3SEL register be kept at their default value of '1011b' during normal operation. When operating the clock generator in PLL Mode, the frequency of CLKOUT3 can be set by adjusting the divider and multiplier values of D0 and M1 through the PLLDIV0 and PLLM registers, respectively.

3.10.2.2 Fast Peripherals Clock Group

The Fast Peripherals Clock Group includes the DMA, HPI, and the timers. The input clock to this clock group is taken from the output of divider 1 (D1) (as shown in Figure 3-12). By default, the divider is set to divide its input clock by four, but the divide value can be changed to divide-by-1 or divide-by-2 by modifying the PLLDIV1 bits of the PLL Divider1 Register (PLLDIV1) through software.

3.10.2.3 Slow Peripherals Clock Group

The Slow Peripherals Clock Group includes the McBSPs, I²C, and the UART. The input clock to this clock group is taken from the output of divider 2 (D2). by default, the divider is set to divide its input clock by four, but the divide value can be changed to divide-by-1 or divide-by-2 by modifying the PLLDIV2 bits of the PLL Divider2 Register (PLLDIV2) through software. *The clock frequency of the Slow Peripherals Clock Group must be equal to or less than that of the Fast Peripherals Clock Group.*

3.10.2.4 External Memory Interface Clock Group

The External Memory Interface Clock Group includes the External Memory Interface (EMIF) module and the external data bridge modules. The input clock to this clock group is taken from the output of divider 3 (D3). By default, the divider is set to divide its input clock by four, but the divide value can be changed to divide-by-1 or divide-by-2 by modifying the PLLDIV3 bits of the PLL Divider3 Register (PLLDIV3) through software. *The clock frequency of the External Memory Interface Clock Group must be equal to or less than that of the Fast Peripherals Clock Group.*

3.10.3 EMIF Input Clock Selection

The EMIF may be clocked from an external asynchronous clock source through the ECLKIN pin if a specific EMIF frequency is needed. The source for the EMIF clock can be specified through the EMIFCLKS pin. If EMIFCLKS is low, then the EMIF will be clocked via the same internal clock that feeds the data bridge module and performance will be optimal. If EMIFCLKS is high, then an external asynchronous clock, which can be taken up to 100 MHz, will clock the EMIF. The data throughput performance may be degraded due to synchronization issues when an external clock source is used for the EMIF.

3.10.4 Changing the Clock Group Frequencies

DSP software can be used to change the clock frequency of each clock group by setting adequate values in the PLL control registers. Figure 3-14 shows which PLL control registers affect the different portions of the clock generator. The following sections describe the procedures for changing the frequencies of each clock group.

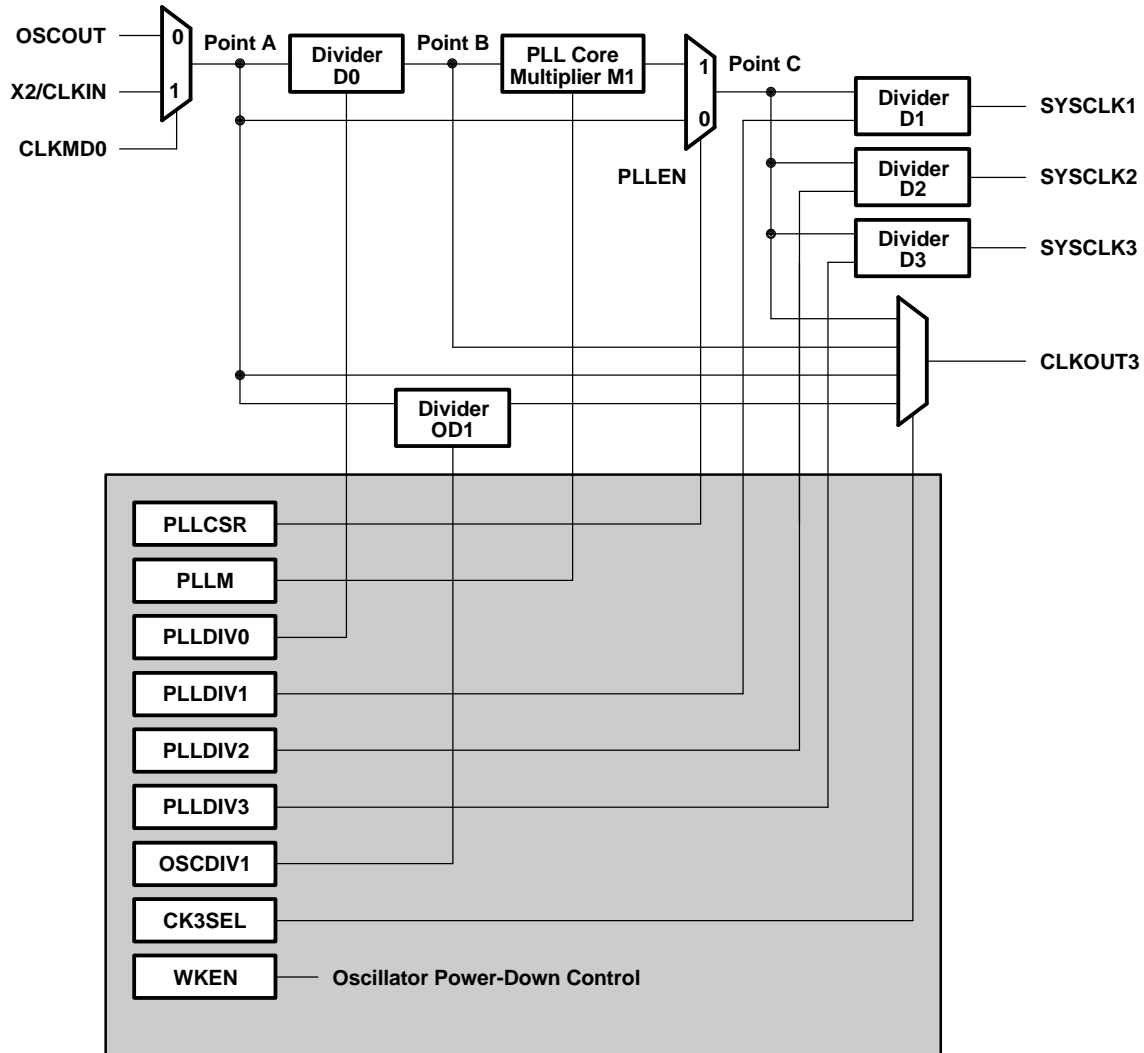


Figure 3-14. Clock Generator Registers

3.10.4.1 C55x Subsystem Clock Group

Changes to the PLL Control Register (PLLCSR), the PLL Divider0 Register (PLLDIV0), and the PLL Multiplier Register (PLLM) affect the clock of this clock group. The following procedure must be followed to change or to set the PLL to a specific value:

1. Switch to bypass mode by setting the PLEN bit to 0.
2. Set the PLL to its reset state by setting the PLLRST bit to 1.
3. Change the PLL setting through the PLLM and PLLDIV0 bits.
4. Wait for 1 μ s.
5. Release the PLL from its reset state by setting PLLRST to 0.
6. Wait for the PLL to relock by polling the LOCK bit or by setting up a LOCK interrupt.
7. Switch back to PLL mode by setting the PLEN bit to 1.

The frequency of the C55x Subsystem Clock Group can be up to 300 MHz for the TMS320VC5502-300 and up to 200 MHz for the TMS320VC5502-200.

3.10.4.2 Fast Peripherals Clock Group

Changes to the clock of the C55x Subsystem Clock Group affect the clock of the Fast Peripherals Clock Group. The PLLDIV1 value of the PLL Divider1 Register (PLLDIV1) should not be set in a manner that makes the frequency for this clock group greater than 150 MHz. There must be no activity in the modules included in the Fast Peripherals Clock Group when the value of PLLDIV1 is being changed. It is recommended that the fast peripheral modules be put in IDLE mode before changing the PLLDIV1 value.

3.10.4.3 Slow Peripherals Clock Group

Changes to the clock of the C55x Subsystem Clock Group affect the clock of the Slow Peripherals Clock Group. The PLLDIV2 value of the PLL Divider2 Register (PLLDIV2) should not be set in a manner that makes the frequency for this clock group greater than 150 MHz or greater than the frequency of the Fast Peripherals Clock Group. There must be no activity in the modules included in the Slow Peripherals Clock Group when the value of PLLDIV2 is being changed. It is recommended that the slow peripheral modules be put in IDLE mode before changing the PLLDIV2 value.

3.10.4.4 External Memory Interface Clock Group

Changes to the clock of the C55x Subsystem Clock Group affect the clock of the External Memory Interface Clock Group. The PLLDIV3 value of the PLL Divider3 Register (PLLDIV3) should not be set in a manner that makes the frequency for this clock group greater than 100 MHz or greater than the frequency of the Fast Peripherals Clock Group, whichever is smaller. If an external clock is used, the clock on the ECLKIN pin can be up to 100 MHz and the output of divider 3 can be set equal to or lower than the frequency of the Fast Peripherals Clock Group. There must be no external memory accesses when the value of PLLDIV3 is being changed, this means that the value of PLLDIV3 cannot be changed by a program that is being executed from external memory. It is recommended that the EMIF be put in IDLE mode before changing the PLLDIV3 value.

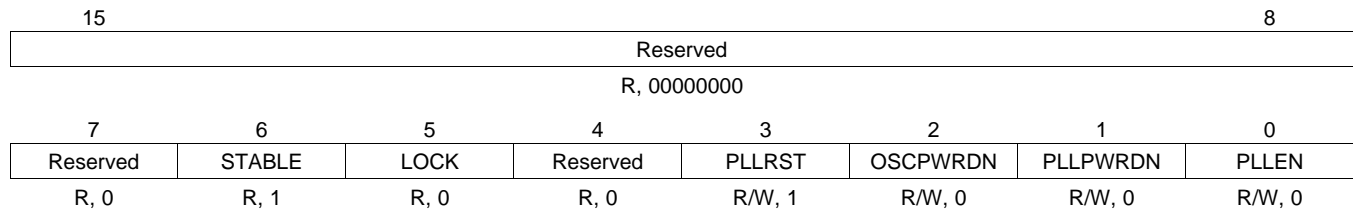
3.10.5 PLL Control Registers

The 5502 PLL control registers are accessible via the I/O memory map.

Table 3-12. PLL Control Registers

ADDRESS	REGISTER
1C80h	PLLCSR
1C82h	CK3SEL
1C88h	PLLM
1C8Ah	PLLDIV0
1C8Ch	PLLDIV1
1C8Eh	PLLDIV2
1C90h	PLLDIV3
1C92h	OSCDIV1
1C98h	WKEN
8400h	CLKOUTSR
8C00h	CLKMD

3.10.5.1 PLL Control / Status Register (PLLCSR)



LEGEND: R = Read, W = Write, n = value at reset

Figure 3-15. PLL Control/Status Register Layout (0x1C80)

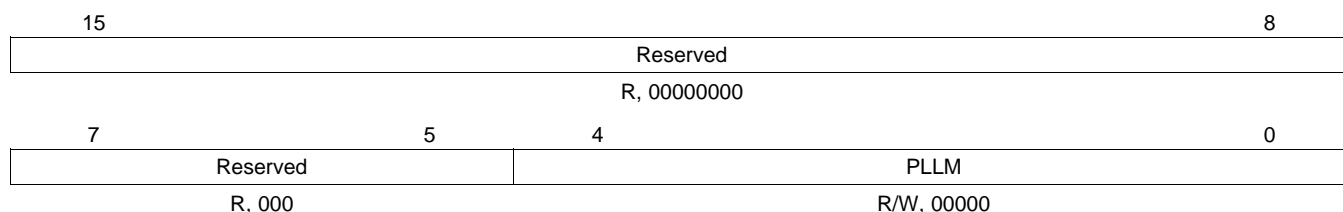
Table 3-13. PLL Control/Status Register Bit Field Description

BIT NAME	BIT NO.	ACCESS	RESET VALUE	DESCRIPTION
Reserved	15:7	R	00000000	Reserved. Reads return 0. Writes have no effect.
STABLE	6	R	1	Oscillator output stable. This bit indicates if the OSCOUT output has stabilized. <ul style="list-style-type: none"> • STABLE = 0: Oscillator output is not yet stable. Oscillator counter is not done counting 41,032 reference clock cycles. • STABLE = 1: Oscillator output is stable. This is true if any one of the three cases is true: <ul style="list-style-type: none"> a) Oscillator counter has finished counting. b) Oscillator counter is disabled. c) Test mode.
LOCK	5	R	0	Lock mode indicator. This bit indicates whether the clock generator is in its lock mode. <ul style="list-style-type: none"> • LOCK = 0: The PLL is in the process of getting a phase lock. • LOCK = 1: The clock generator is in the lock mode. The PLL has a phase lock and the output clock of the PLL has the frequency determined by the PLLM register and PLLDIV0 register.
Reserved	4	R	0	Reserved. Reads return 0. Writes have no effect.
PLL RST	3	R/W	1	Asserts RESET to PLL <ul style="list-style-type: none"> • PLL RST = 0: PLL reset released • PLL RST = 1: PLL reset asserted
OSCPWRDN	2	R/W	0	Sets internal oscillator to power-down mode <ul style="list-style-type: none"> • OSCPWRDN = 0: Oscillator operational • OSCPWRDN = 1: Oscillator set to power-down mode based on state of CLKMD0 bit of Clock Mode Control Register (CLKMD). <ul style="list-style-type: none"> – When CLKMD0 = 0, the internal oscillator is set to power-down mode when the clock generator is set to its idle mode [CLKIS bit of the IDLE Status Register (ISTR) becomes 1]. – When CLKMD0 = 1, the internal oscillator is set to power-down mode immediately after the OSCPWRDN bit is set to 1.
PLL PWRDN	1	R/W	0	Selects PLL power down <ul style="list-style-type: none"> • PLL PWRDN = 0: PLL operational • PLL PWRDN = 1: PLL placed in power-down state

Table 3-13. PLL Control/Status Register Bit Field Description (continued)

BIT NAME	BIT NO.	ACCESS	RESET VALUE	DESCRIPTION
PLLEN	0	R/W	0	PLL mode enable. This bit controls the multiplexer before dividers D1, D2, and D3. <ul style="list-style-type: none"> • PLLEN = 0: Bypass mode. Divider D1 and PLL are bypassed. SYSCLK1 to 3 divided down directly from input reference clock. • PLLEN = 1: PLL mode. Divider D1 and PLL are not bypassed. SYSCLK1 to 3 divided down from PLL output.

3.10.5.2 PLL Multiplier Control Register (PLLM)



LEGEND: R = Read, W = Write, n = value at reset

Figure 3-16. PLL Multiplier Control Register Layout (0x1C88)

Table 3-14. PLL Multiplier Control Register Bit Field Description

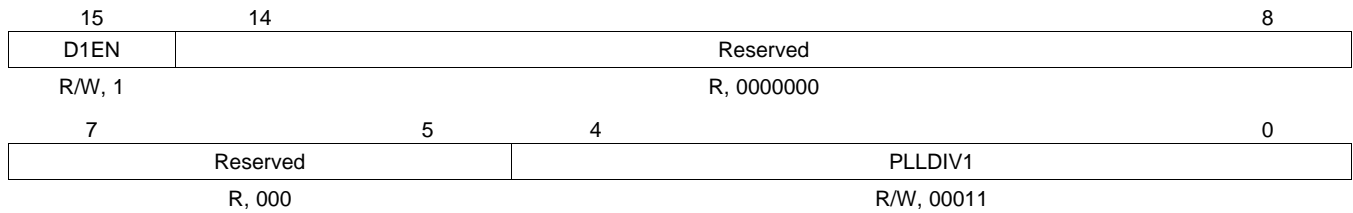
BIT NAME	BIT NO.	ACCESS	RESET VALUE	DESCRIPTION
Reserved	15:5	R	000000000000	Reserved. Reads return 0. Writes have no effect.
PLLM	4:0	R/W	00000	PLL multiplier-select <ul style="list-style-type: none"> • PLLM = 00000-00001: Reserved • PLLM = 00010: Times 2 • PLLM = 00011: Times 3 • PLLM = 00100: Times 4 • PLLM = 00101: Times 5 • PLLM = 00110: Times 6 • PLLM = 00111: Times 7 • PLLM = 01000: Times 8 • PLLM = 01001: Times 9 • PLLM = 01010: Times 10 • PLLM = 01011: Times 11 • PLLM = 01100: Times 12 • PLLM = 01101: Times 13 • PLLM = 01110: Times 14 • PLLM = 01111: Times 15 • PLLM = 10000–11111: Reserved

Table 3-15. PLL Divider 0 Register Bit Field Description (continued)

BIT NAME	BIT NO.	ACCESS	RESET VALUE	DESCRIPTION
PLLDIV0	4:0	R/W	00000	Divider D0 ratio <ul style="list-style-type: none"> • PLLDIV0 = 00000: Divide by 1 • PLLDIV0 = 00001: Divide by 2 • PLLDIV0 = 00010: Divide by 3 • PLLDIV0 = 00011: Divide by 4 • PLLDIV0 = 00100: Divide by 5 • PLLDIV0 = 00101: Divide by 6 • PLLDIV0 = 00110: Divide by 7 • PLLDIV0 = 00111: Divide by 8 • PLLDIV0 = 01000: Divide by 9 • PLLDIV0 = 01001: Divide by 10 • PLLDIV0 = 01010: Divide by 11 • PLLDIV0 = 01011: Divide by 12 • PLLDIV0 = 01100: Divide by 13 • PLLDIV0 = 01101: Divide by 14 • PLLDIV0 = 01110: Divide by 15 • PLLDIV0 = 01111: Divide by 16 • PLLDIV0 = 10000: Divide by 17 • PLLDIV0 = 10001: Divide by 18 • PLLDIV0 = 10010: Divide by 19 • PLLDIV0 = 10011: Divide by 20 • PLLDIV0 = 10100: Divide by 21 • PLLDIV0 = 10101: Divide by 22 • PLLDIV0 = 10110: Divide by 23 • PLLDIV0 = 10111: Divide by 24 • PLLDIV0 = 11000: Divide by 25 • PLLDIV0 = 11001: Divide by 26 • PLLDIV0 = 11010: Divide by 27 • PLLDIV0 = 11011: Divide by 28 • PLLDIV0 = 11100: Divide by 29 • PLLDIV0 = 11101: Divide by 30 • PLLDIV0 = 11110: Divide by 31 • PLLDIV0 = 11111: Divide by 32

3.10.5.4 PLL Divider1 Register (PLLDIV1) for SYSCLK1

This register controls the value of the divider D1 for SYSCLK1. It is in both the BYPASS and PLL paths.



LEGEND: R = Read, W = Write, n = value at reset

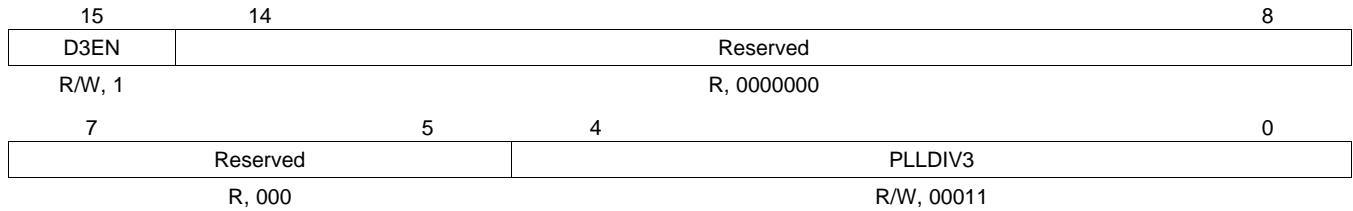
Figure 3-18. PLL Divider 1 Register Layout (0x1C8C)

Table 3-16. PLL Divider 1 Register Bit Field Description

BIT NAME	BIT NO.	ACCESS	RESET VALUE	DESCRIPTION
D1EN	15	R/W	1	Divider D1 enable <ul style="list-style-type: none"> • D1EN = 0: Divider 1 disabled • D1EN = 1: Divider 1 enabled
Reserved	14:5	R	0000000000	Reserved. Reads return 0. Writes have no effect.
PLLDIV1	4:0	R/W	00011	Divider D1 ratio (SYSCLK1 divider) <ul style="list-style-type: none"> • PLLDIV1 = 00000: Divide by 1 • PLLDIV1 = 00001: Divide by 2 • PLLDIV1 = 00010: Reserved • PLLDIV1 = 00011: Divide by 4 • PLLDIV1 = 00100–11111: Reserved

3.10.5.6 PLL Divider3 Register (PLLDIV3) for SYSCLK3

This register controls the value of the divider D3 for SYSCLK3. It is in both the BYPASS and PLL paths.



LEGEND: R = Read, W = Write, n = value at reset

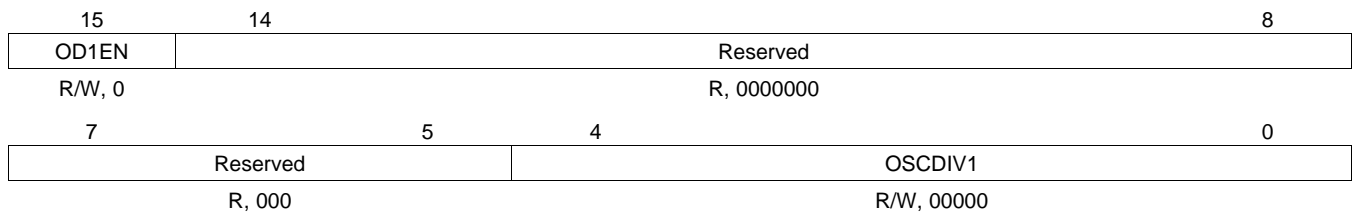
Figure 3-20. PLL Divider 3 Register Layout (0x1C90)

Table 3-18. PLL Divider 3 Register Bit Field Description

BIT NAME	BIT NO.	ACCESS	RESET VALUE	DESCRIPTION
D3EN	15	R/W	1	Divider D3 enable <ul style="list-style-type: none"> • D3EN = 0: Divider 3 disabled • D3EN = 1: Divider 3 enabled
Reserved	14:5	R	0000000000	Reserved. Reads return 0. Writes have no effect.
PLLDIV3	4:0	R/W	00011	Divider D3 ratio (SYSCLK3 divider) <ul style="list-style-type: none"> • PLLDIV3 = 00000: Divide by 1 • PLLDIV3 = 00001: Divide by 2 • PLLDIV3 = 00010: Reserved • PLLDIV3 = 00011: Divide by 4 • PLLDIV3 = 00100–11111: Reserved

3.10.5.7 Oscillator Divider1 Register (OSCDIV1) for CLKOUT3

This register controls the value of the divider OD1 for CLKOUT3. It does not go through the PLL path.



LEGEND: R = Read, W = Write, n = value at reset

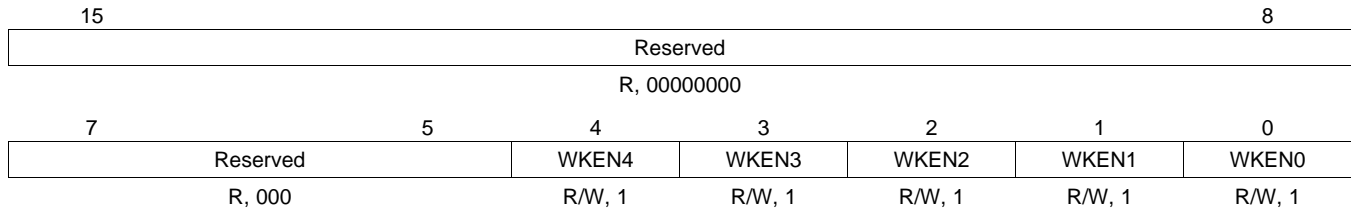
Figure 3-21. Oscillator Divider1 Register Layout (0x1C92)

Table 3-19. Oscillator Divider1 Register Bit Field Description

BIT NAME	BIT NO.	ACCESS	RESET VALUE	DESCRIPTION
OD1EN	15	R/W	0	Oscillator divider OD1 enable <ul style="list-style-type: none"> • OD1EN = 0: Oscillator divider 1 disabled • OD1EN = 1: Oscillator divider 1 enabled
Reserved	14:5	R	0000000000	Reserved. Reads return 0. Writes have no effect.
OSCDIV1	4:0	R/W	00000	Divider OD1 ratio (CLKOUT3 divider) <ul style="list-style-type: none"> • OSCDIV1 = 00000: Divide by 1 • OSCDIV1 = 00001: Divide by 2 • OSCDIV1 = 00010: Divide by 3 • OSCDIV1 = 00011: Divide by 4 • OSCDIV1 = 00100: Divide by 5 • OSCDIV1 = 00101: Divide by 6 • OSCDIV1 = 00110: Divide by 7 • OSCDIV1 = 00111: Divide by 8 • OSCDIV1 = 01000: Divide by 9 • OSCDIV1 = 01001: Divide by 10 • OSCDIV1 = 01010: Divide by 11 • OSCDIV1 = 01011: Divide by 12 • OSCDIV1 = 01100: Divide by 13 • OSCDIV1 = 01101: Divide by 14 • OSCDIV1 = 01110: Divide by 15 • OSCDIV1 = 01111: Divide by 16 • OSCDIV1 = 10000: Divide by 17 • OSCDIV1 = 10001: Divide by 18 • OSCDIV1 = 10010: Divide by 19 • OSCDIV1 = 10011: Divide by 20 • OSCDIV1 = 10100: Divide by 21 • OSCDIV1 = 10101: Divide by 22 • OSCDIV1 = 10110: Divide by 23 • OSCDIV1 = 10111: Divide by 24 • OSCDIV1 = 11000: Divide by 25 • OSCDIV1 = 11001: Divide by 26 • OSCDIV1 = 11010: Divide by 27 • OSCDIV1 = 11011: Divide by 28 • OSCDIV1 = 11100: Divide by 29 • OSCDIV1 = 11101: Divide by 30 • OSCDIV1 = 11110: Divide by 31 • OSCDIV1 = 11111: Divide by 32

3.10.5.8 Oscillator Wakeup Control Register (WKEN)

This register controls whether different events in the system are enabled to wake up the device after entering OSCPWRDN.



LEGEND: R = Read, W = Write, n = value at reset

Figure 3-22. Oscillator Wakeup Control Register Layout (0x1C98)

Table 3-20. Oscillator Wakeup Control Register Bit Field Description

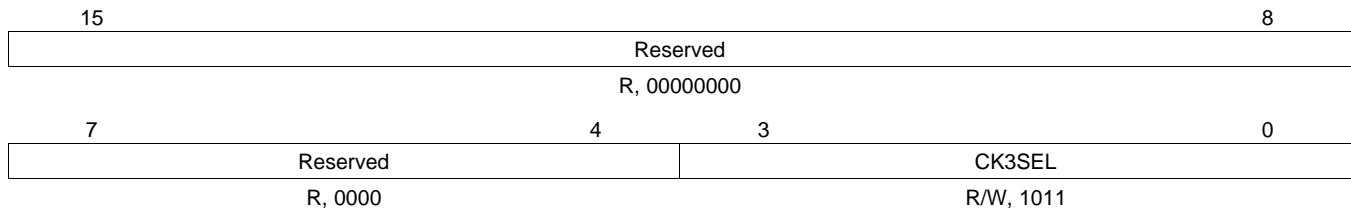
BIT NAME	BIT NO.	ACCESS	RESET VALUE	DESCRIPTION
Reserved	15:5	R	00000000000	Reserved. Reads return 0. Writes have no effect.
WKEN4	4	R/W	1	Input $\overline{\text{INT3}}$ can wake up the oscillator when the OSCPWRDN bit in PLLCSR is asserted to logic 1. <ul style="list-style-type: none"> • WKEN4 = 0: Wake-up enabled. A low-to-high transition on $\overline{\text{INT3}}$ wakes up the oscillator and clears the OSCPWRDN bit. • WKEN4 = 1: Wake-up disabled. A low-to-high transition on $\overline{\text{INT3}}$ does not wake up the oscillator.
WKEN3	3	R/W	1	Input $\overline{\text{INT2}}$ can wake up the oscillator when the OSCPWRDN bit in PLLCSR is asserted to logic 1. <ul style="list-style-type: none"> • WKEN3 = 0: Wake-up enabled. A low-to-high transition on $\overline{\text{INT2}}$ wakes up the oscillator and clears the OSCPWRDN bit. • WKEN3 = 1: Wake-up disabled. A low-to-high transition on $\overline{\text{INT2}}$ does not wake up the oscillator.
WKEN2	2	R/W	1	Input $\overline{\text{INT1}}$ can wake up the oscillator when the OSCPWRDN bit in PLLCSR is asserted to logic 1. <ul style="list-style-type: none"> • WKEN2 = 0: Wake-up enabled. A low-to-high transition on $\overline{\text{INT1}}$ wakes up the oscillator and clears the OSCPWRDN bit. • WKEN2 = 1: Wake-up disabled. A low-to-high transition on $\overline{\text{INT1}}$ does not wake up the oscillator.
WKEN1	1	R/W	1	Input $\overline{\text{INT0}}$ can wake up the oscillator when the OSCPWRDN bit in PLLCSR is asserted to logic 1. <ul style="list-style-type: none"> • WKEN1 = 0: Wake-up enabled. A low-to-high transition on $\overline{\text{INT0}}$ wakes up the oscillator and clears the OSCPWRDN bit. • WKEN1 = 1: Wake-up disabled. A low-to-high transition on $\overline{\text{INT0}}$ does not wake up the oscillator.

Table 3-20. Oscillator Wakeup Control Register Bit Field Description (continued)

BIT NAME	BIT NO.	ACCESS	RESET VALUE	DESCRIPTION
WKEN0	0	R/W	1	Input \overline{NMI} can wake up the oscillator when the OSCPWDRN bit in PLLCSR is asserted to logic 1. <ul style="list-style-type: none"> WKEN0 = 0: Wake-up enabled. A low-to-high transition on \overline{NMI} wakes up the oscillator and clears the OSCPWDRN bit. WKEN0 = 1: Wake-up disabled. A low-to-high transition on \overline{NMI} does not wake up the oscillator.

3.10.5.9 CLKOUT3 Select Register (CK3SEL)

This register controls which clock is output onto the CLKOUT3 so that it may be used to test and debug the PLL (in addition to its normal function of being a direct input clock divider). Modes other than CK3SEL = 1011 are intended for debug use only and should not be used during normal operation.



LEGEND: R = Read, W = Write, n = value at reset

Figure 3-23. CLKOUT3 Select Register Layout (0x1C82)

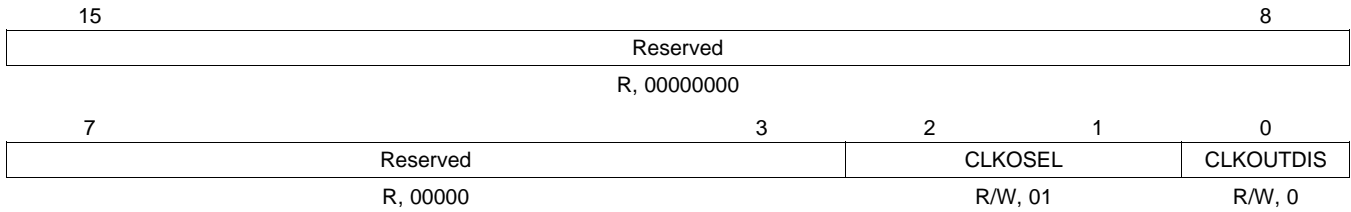
Table 3-21. CLKOUT3 Select Register Bit Field Description

BIT NAME	BIT NO.	ACCESS	RESET VALUE	DESCRIPTION
Reserved	15:4	R	000000000000	Reserved. Reads return 0. Writes have no effect.
CK3SEL	3:0	R/W	1011	Output on CLK3SEL pin ⁽¹⁾ <ul style="list-style-type: none"> CK3SEL = 1001: CLKOUT3 becomes point A in Figure 3-14 CK3SEL = 1010: CLKOUT3 becomes point B in Figure 3-14 CK3SEL = 0000-0111: CLKOUT3 becomes oscillator divider output in Figure 3-14 CK3SEL = 1011: CLKOUT3 becomes point C in Figure 3-14 CK3SEL = Other: Not supported

(1) The different options for the CLKOUT3 signal are intended for test purposes; it is recommended that the CK3SEL bits of the CK3SEL register be kept at their default value of '1011b' during normal operation.

3.10.5.10 CLKOUT Selection Register (CLKOUTSR)

As described in Section 3.10.2, Clock Groups, the 5502 has different clock groups, each of which can be driven by a clock that is different from the CPU clock. The CLKOUT Selection Register determines which clock signal is reflected on the CLKOUT pin.



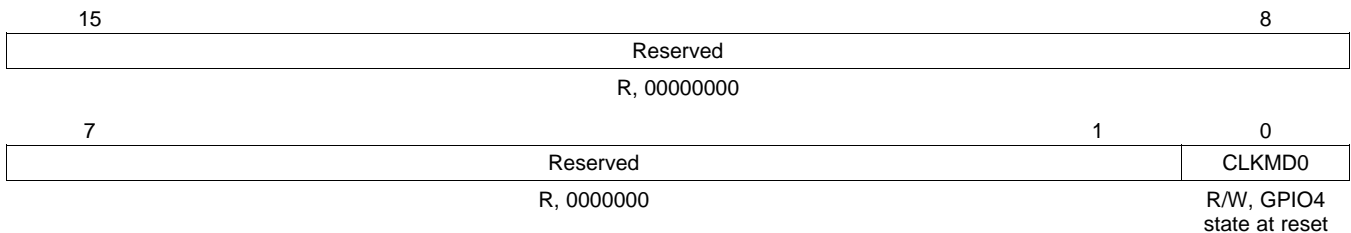
LEGEND: R = Read, W = Write, n = value at reset

Figure 3-24. CLKOUT Selection Register Layout (0x8400)

Table 3-22. CLKOUT Selection Register Bit Field Description

BIT NAME	BIT NO.	ACCESS	RESET VALUE	DESCRIPTION
Reserved	15-3	R	00000000000000	Reserved
CLKOSEL	2:1	R/W	01	CLKOUT source-select <ul style="list-style-type: none"> • CLKOSEL = 00: Reserved • CLKOSEL = 01: CLKOUT source is SYSCLK1 • CLKOSEL = 10: CLKOUT source is SYSCLK2 • CLKOSEL = 11: CLKOUT source is SYSCLK3
CLKOUTDIS	0	R/W	0	Disable CLKOUT <ul style="list-style-type: none"> • CLKOUTDIS = 0: CLKOUT enabled • CLKOUTDIS = 1: CLKOUT disabled (driving 0)

3.10.5.11 Clock Mode Control Register (CLKMD)



LEGEND: R = Read, W = Write, n = value at reset

Figure 3-25. Clock Mode Control Register Layout (0x8C00)

Table 3-23. Clock Mode Control Register Bit Field Description

BIT NAME	BIT NO.	ACCESS	RESET VALUE	DESCRIPTION
Reserved	15-1	R	0000000000000000	Reserved
CLKMD0	0	R/W	GPIO4 state at reset	Clock output source-select <ul style="list-style-type: none"> • CLKMD0 = 0: OSCOUT is selected as clock input source • CLKMD0 = 1: X2/CLKIN is selected as clock input source

3.10.6 Reset Sequence

When $\overline{\text{RESET}}$ is low, the clock generator is in bypass mode with the input clock set to CLKIN or X2/CLKIN, dependent upon the state of GPIO4. After the $\overline{\text{RESET}}$ pin transitions from low to high, the following events will occur in the order listed below.

- GPIO6 and GPIO7 are sampled on the rising edge of the reset signal. The state of GPIO6 and GPIO7 determines the function of the multiplexed pins of the 5502, see Section 3.3, Configurable External Ports and Signals, for more information on pin multiplexing. The state of GPIO6 and GPIO7 during the rising edge of reset determines the values for the Parallel/Host Port Mux Mode and the Serial Port 2 Mux Mode bits, respectively, of the External Bus Control Register (XBSR).
- GPIO4 is sampled on the rising edge of the reset signal to set the state of the CLKMD0 bit of the Clock Mode Control Register (CLKMD), which in turns, determines the clock source for the DSP. The CLKMD0 bit selects either the internal oscillator output (OSCOUT) or the X2/CLKIN pin as the input clock source for the DSP. If GPIO4 is low at reset, the CLKMD0 bit will be set to 0 and the internal oscillator and the external crystal generate the input clock for the DSP. If GPIO4 is high, the CLKMD0 bit will be set to 1 and the input clock will be taken directly from the X2/CLKIN pin.
- After the reset signal transitions from low to high, the DSP will not be taken out of reset immediately. Instead, an internal counter will count 41032 clock cycles to allow the internal oscillator to stabilize (only if GPIO4 was low). The internal counter will also add 70 reference clock cycles to allow the reset signal to propagate through different parts of the device.
- After all internal delay cycles have expired, the $\overline{\text{TACK}}$ pin will go low for two CPU clock cycles to indicate this internal reset signal has been deasserted. The BOOTM[2:0] pins will be sampled and their values will be stored in the Boot Mode Register (BOOTM_MODE). The value in the BOOTM_MODE register will be used by the bootloader to determine the boot mode of the DSP.
- Program flow will commence after all internal delay cycles have expired.

The 5502 has internal circuitry that will count down 70 reference clock cycles to allow reset signals to propagate correctly to all parts of the device after reset ($\overline{\text{RESET}}$ pin goes high). Furthermore, the 5502 also has internal circuitry that will count down 41,032 reference clock cycles to allow the oscillator input to become stable after waking up from power-down state or reset. If a reset is asserted, program flow will start after all stabilization periods have expired; this includes the oscillator stabilization period only if GPIO4 is low at reset. If the oscillator is coming out of power-down mode, program flow will start immediately after the oscillator stabilization period has completed. Table 3-24 summarizes the number of reference clock cycles needed before program flow begins.

Table 3-24. Number of Reference Clock Cycles Needed Until Program Flow Begins

CONDITION		REFERENCE CLOCK CYCLES
After Reset	Oscillator Not Used (GPIO4 = 1)	70
	Oscillator Used (GPIO4 = 0)	41,102
After Oscillator Power-Down		41,032

All output (O/Z) and input/output (I/O/Z) pins (except for CLKOUT, ECLKOUT2, and XF) will go into high-impedance mode during reset and will come out of high-impedance mode when the stabilization periods have expired. All output (O/Z) and input/output (I/O/Z) pins will retain their value when the device enters a power-down mode such as IDLE3 mode.

3.11 Idle Control

The Idle function is implemented for low power consumption. The Idle function achieves low power consumption by gating the clock to unused parts of the chip, and/or setting the clock generator (PLL) and the internal oscillator to a power-down mode.

3.11.1 **Clock Domains**

The 5502 provides six clock domains to power-off the main clock to the portions of the device that are not being used. The six domains are:

- CPU Domain
- Master Port Domain (includes DMA and HPI modules)
- ICACHE
- Peripherals Domain
- Clock Generator Domain
- EMIF Domain

3.11.2 **IDLE Procedures**

Before entering idle mode (executing the IDLE instruction), the user has first to determine which part of the system needs to be disabled and then program the Idle Control Register (ICR) accordingly. When the IDLE instruction is executed, the ICR will be copied into the Idle Status Register (ISTR). The different bits of the ISTR register will be propagated to disable the chosen domains. Special care has to be taken in programming the ICR as some IDLE domain combinations are not valid (for example: CPU on and clock generator off).

3.11.2.1 **CPU Domain Idle Procedure**

The 5502 CPU can be idled by executing the following procedure.

1. Write '1' to the CPUI bit (bit 0 of ICR).
2. Execute the IDLE instruction.
3. CPU will go to idle state

3.11.2.2 **Master Port Domain (DMA/HPI) Idle Procedure**

The clock to the DMA module and/or the HPI module will be stopped when the DMA and/or the HPI bit in the MICR is set to 1 and the MPIS bit in the ISTR becomes 1. The DMA will go into idle immediately if there is no data transfer taking place. If there is a data transfer taking place, then it will finish the current transfer and then go into idle. The HPI will go into idle regardless of whether or not there is a data transfer taking place. Software must confirm that the HPI has no activity before setting it to idle.

The 5502 DMA module and the HPI module can be disabled by executing the following procedure.

1. Write '1' to the DMA bit and/or the HPI bit in MICR.
2. Write '1' to the MPI bit in ICR.
3. Execute the IDLE instruction.
4. DMA and/or HPI go/goes to idle.

3.11.2.3 **Peripheral Modules Idle Procedure**

The clock to the modules included in the Peripherals Domain will be stopped when their corresponding bit in the PICR is set to 1 and the PERIS bit in the ISTR becomes 1. Each module in this domain will go into idle immediately if it has no activity. If the module being set to idle has activity, it will wait until the activity completes before going into idle.

Each peripheral module can be idled by executing the following procedure.

1. Write '1' to the corresponding bit in PICR for each peripheral to be idled.
2. Write '1' to the PERI bit in ICR.
3. Execute the IDLE instruction.
4. Every peripheral with its corresponding PICR bit set will go to idle.

3.11.2.4 EMIF Module Idle Procedure

The 5502 EMIF can be idled in one of two ways: through the ICR and through the PICR. The EMIF will go into idle immediately if there is no data transfer taking place within the DMA. If there is a data transfer taking place, then the EMIF will wait until the DMA finishes the current transfer and goes into idle before going into idle itself. Please note that while the EMIF is in idle, the SDRAM refresh function of the EMIF will not be available.

The 5502 EMIF can be idled through the ICR only when the following modules are set to idle: CPU, I-Port, ICACHE, DMA, and HPI. To place the EMIF in idle using the ICR, execute the following procedure:

1. Write '1' to the DMA and HPI bits in MICR.
2. Write '1' to the CPU, MPI, ICACHEI, EMIFI, and IPORTI bits in ICR.
3. Execute the IDLE instruction.
4. EMIF and all modules listed in Step 2 will go to idle.

The 5502 EMIF can also be idled through the PICR. To place the EMIF in idle using the PICR, execute the following procedure:

1. Write a '1' to the EMIF bit in PICR.
2. Write a '1' to the PERI bit in ICR.
3. Execute IDLE instruction.
4. EMIF will go to IDLE.

3.11.2.5 IDLE2 Mode

In IDLE2 mode, all modules except the CLOCK module are set to idle state. To place the 5502 in IDLE2 mode, perform the following steps.

1. Write a '1' to all peripheral module bits in the PICR.
2. Write a '1' to the HPI and DMA bits in MICR.
3. Write a '1' to all domain bits in the ICR except the CLOCK domain bit (CLKI).
4. Execute the IDLE instruction.
5. All internal clocks will be disabled, the CLOCK module will remain active.

3.11.2.6 IDLE3 Mode

In IDLE3 mode, all modules (including the CLOCK module) are set to idle state. To place the 5502 in IDLE3 mode, perform the following steps.

1. Clear (i.e., set to '0') the PLEN bit in PLLCSR to place the PLL in bypass mode.
2. Set the PLLPWRDN and PLLRST bits in PLLCSR to '1'.
3. Write a '1' to all peripheral module bits in PICR (write 0x3FFF to PICR).
4. Write a '1' to the HPI and DMA bits in MICR (write 0x0003 to MICR).
5. Write a '1' to all domain bits and bit 9 in the ICR (write 0x03FF to ICR).
6. Execute the IDLE instruction.
7. PLL core is set to power-down mode and all internal clocks are disabled.

3.11.2.7 IDLE3 Mode With Internal Oscillator Disabled

In this state, all modules (including the CLOCK module) are set to the idle state and the internal oscillator is set to the power-down mode. This is the lowest power-consuming state that 5502 can be placed under.

1. Clear (i.e., set to '0') the PLEN bit in PLLCSR to place the PLL in bypass mode.
2. Set the PLLPWRDN, PLLRST, and OSCPWRDN bits in PLLCSR to '1'.

3. Set the WKEN register to specify which event will wake up internal oscillator [e.g., set bit 1 to have interrupt 0 (INT0) wake up the oscillator]. ⁽¹⁾
4. Write a '1' to all peripheral module bits in the PICR (write 0x3FFF to PICR).
5. Write a '1' to the HPI and DMA bits in MICR (write 0x0003 to MICR).
6. Write a '1' to all domain bits and bit 9 in the ICR (write 0x03FF to ICR).
7. Execute the IDLE instruction.
8. Internal oscillator is set to power-down mode, PLL core is set to power-down mode, and all internal clocks are disabled.

Note that the internal oscillator can be awakened through an NMI or external interrupt as long as that event is specified in the Oscillator Wakeup Control Register and, in the case of an external interrupt, the interrupt is enabled in the CPU's Interrupt Enable Register.

(1) Maskable external interrupts must be enabled through IER prior to setting the 5502 to IDLE.

3.11.3 Module Behavior at Entering IDLE State

All transactions must be completed before entering the IDLE state. Table 3-25 lists the behavior of each module before entering the IDLE state.

Table 3-25. Peripheral Behavior at Entering IDLE State

CLOCK DOMAIN	MODULES	MODULE BEHAVIOR AT ENTERING IDLE STATE (ASSUMING THE IDLE CONTROL IS SET)
CPU	CPU	Enter IDLE after CPU stops pipeline.
	Interrupt Controller	Enter IDLE after CPU stops.
	IDLE Controller	Enter IDLE after CPU stops.
	PLL Controller	Enter IDLE after CPU stops.
Master Port	DMA	Enter IDLE state after current DMA transfer to internal memory, EMIF, or peripheral, or enter IDLE state immediately if no transfer exists. DMA has function of Auto-wakeup/Idle with McBSP data transfer during IDLE.
	HPI	Enter IDLE state immediately. Software has to take care of HPI activity.
ICACHE	ICACHE	Enter IDLE state after current data transfer from EMIF or program fetch from CPU finishes, or enter IDLE state immediately if no transfer and no access exist.
Peripheral	External Bus Selection Register	Enter IDLE after CPU stops.
	Timer Signal Selection Register	Enter IDLE after CPU stops.
	CLKOUT Selection Register	Enter IDLE after CPU stops.
	External Bus Control Register	Enter IDLE after CPU stops.
	Clock Mode Control Register	Enter IDLE after CPU stops.
	Timer0/1 and WDT	Enter IDLE state immediately
	DSP/BIOS Timer	Enter IDLE state immediately
	MCBSP0/1/2	External Clock and Frame: Enter IDLE state after current McBSP activity is finished or enter IDLE state immediately if no activity exists. McBSP has function of Auto-wakeup/Idle with DMA transfer during IDLE. Internal Clock and Frame: Enter IDLE state immediately if both transmitter and receiver are in reset (XRST = 0 and RRST = 0). IDLE state not entered otherwise.
	GPIO	Enter IDLE state immediately.
	I2C	Enter IDLE state after current I ² C activity is finished or enter IDLE state immediately if no activity exists.
	UART	Enter IDLE state after current UART activity is finished or enter IDLE state immediately if no activity exists.
Parallel GPIO	Enter IDLE state immediately.	

Table 3-25. Peripheral Behavior at Entering IDLE State (continued)

CLOCK DOMAIN	MODULES	MODULE BEHAVIOR AT ENTERING IDLE STATE (ASSUMING THE IDLE CONTROL IS SET)
Clock Generator	PLL divider	Enter IDLE state immediately.
	PLL core	Power-down state if set by software before IDLE
	Oscillator	Power-down state if set by software before IDLE
EMIF	EMIF	Enter IDLE mode after current DMA transfer or enter IDLE mode immediately if no activity exists.

3.11.4 Wake-Up Procedure

It is the user's responsibility to ensure that there exists a valid wake-up procedure before entering idle mode. Keep in mind that a hardware reset will restore all modules to their active state. All wake-up procedures are described in the next sections.

3.11.4.1 CPU Domain Wake-up Procedure

The CPU domain can be taken out of idle through an enabled external interrupt or an $\overline{\text{NMI}}$ signal. External interrupts can be enabled through the use of the IER0 and IER1 registers. Other modules, such as the EMIF module, will be taken out of idle automatically when the CPU wakes up. Please see the wake-up procedures for other modules for more information.

3.11.4.2 Master Port Domain (DMA/HPI) Wake-up Procedure

The 5502 DMA module and the HPI module can be taken out of idle simultaneously by executing the following procedure.

1. Write '0' to the MPI bit in ICR.
2. Execute the IDLE instruction.
3. DMA and HPI wake up.

It is also possible to wake up the DMA and HPI modules individually through the use of the Master Idle Control Register. To wake up only the DMA or the HPI module, perform the following steps:

1. Write '0' to the DMA bit or the HPI bit in MICR.
2. Selected module wakes up.

3.11.4.3 Peripheral Modules Wake-up Procedure

All 5502 peripherals can be taken out of idle simultaneously by executing the following procedure.

1. Write '0' to the PERI bit in ICR.
2. Execute the IDLE instruction.
3. All idled peripherals wake up.

It is also possible to wake up individual peripherals through the use of the Peripheral Idle Control Register by executing the following procedure.

1. Write '0' to the idle control bit of peripheral(s) in PICR.
2. Idled peripherals with '0' in PICR wake up.

3.11.4.4 EMIF Module Wake-up Procedure

If both the CPU and the EMIF are in idle, then the EMIF will come out of idle when the CPU is taken out of idle. The CPU can be taken out of idle through the use of an NMI or an enabled external interrupt. External interrupts can be enabled through the IER0 and IER1 registers.

If the CPU is not in idle, then the EMIF can be taken out of idle through either of the following two procedures:

1. Write '0' to the PERI bit in ICR.
2. Execute the IDLE instruction.
3. All idled peripherals, including the EMIF, wake up.

Or:

1. Write '0' to the EMIF bit in PICR.
2. The EMIF module will wake up.

3.11.4.5 IDLE2 Mode Wake-up Procedure

The 5502 can be taken completely out of IDLE2 mode by executing the following procedure.

1. CPU wakes up from idle through NMI or enabled external interrupt.
2. Write '0' to all bits in the ICR.
3. Execute the IDLE instruction.
4. All internal clocks are enabled and all modules come out of idle.

3.11.4.6 IDLE3 Mode Wake-up Procedure

The 5502 can be taken completely out of IDLE3 mode by executing the following procedure.

1. CPU wakes up from idle through NMI or enabled external interrupt.
2. Write '0' to all bits in the ICR.
3. Execute the IDLE instruction.
4. All internal clocks are enabled and all modules come out of idle.
5. Write '0' to the PLLPWRDN and PLLRST bits in PLLCSR.
6. Wait for the PLL to relock by polling the LOCK bit or by setting up a LOCK interrupt.
7. Set the PLEN bit in PLLCSR to '1'.
8. All internal clocks will now come from the PLL core.

NOTE

Step 3 can be modified to only wake up certain modules, see previous sections for more information on the wake-up procedures for the 5502 modules.

3.11.4.7 IDLE3 Mode With Internal Oscillator Disabled Wake-up Procedure

The internal oscillator of the 5502 will be woken up along with the CLOCK module through an NMI or an enabled external interrupt. The source (INT0, INT1, INT3, or NMI) for the wake-up signal can be selected through the use of the WKEN register. The maskable external interrupts must be enabled through IER0 and IER1 prior to setting the 5502 to Idle 3 mode.

The 5502 has internal circuitry that will count down a predetermined number of clock cycles (41,032 reference clock cycles) to allow the oscillator input to become stable after waking up from power-down state or reset. When waking up from idle mode, program flow will start after the stabilization period of the oscillator has expired (41032 reference clock cycles).

- To take the 5502 (including the internal oscillator) out of the idle 3 state, execute the following procedure:
1. External interrupt or NMI occurs (as specified in the WKEN register) and program flow begins after 41,032 reference clock cycles.
 2. CPU wakes up.
 3. Write '0' to all bits in the ICR.
 4. Execute the IDLE instruction.
 5. All internal clocks are enabled and all modules come out of idle.
 6. Write '0' to the PLLPWRDN, PLLRST, and OSCPWRDN bits in PLLCSR.
 7. Wait for the PLL to relock by polling the LOCK bit or by setting up a LOCK interrupt.
 8. Set the PLEN bit in PLLCSR to '1'.
 9. All internal clocks will now come from the PLL core.

NOTE

Step 2 can be modified to only wake up certain modules, see previous sections for more information on the wake-up procedures for the 5502 modules.

3.11.4.8 Summary of Wake-up Procedures

Table 3-26 summarizes the wake-up procedures.

Table 3-26. Wake-Up Procedures

ISTR VALUE	CLOCK DOMAIN STATUS	EXIT FROM IDLE	ICR AFTER WAKE-UP	ISTR AFTER WAKE-UP
xxx0xxx0	CPU - ON Clock Generator - ON Other - ON/OFF	1. DSP software modifies ICR and executes "IDLE" instruction 2. Reset	1. Modified value 2. All "0"	1. Updated to ICR modified value after "IDLE" instruction 2. All "0"
xxx0xxx1	CPU - OFF Clock Generator - ON Other - ON/OFF	1. Unmasked interrupt from external or on-chip module 2. Reset	1. Not modified 2. All "0"	1. CPUIS, CLKIS, and EMIFIS/XPORTIS/IPORTIS are set to "0" 2. All "0"
xxx11111	CPU - OFF Clock Generator - OFF Other - OFF	1. Unmasked interrupt from external 2. Reset	1. Not modified 2. All "0"	1. CPUIS, CLKIS, and EMIFIS/XPORTIS/IPORTIS are set to "0" 2. All "0"

3.11.5 Auto-Wakeup/Idle Function for McBSP and DMA

The 5502 has an Auto-wakeup/Idle function for McBSP to DMA to on-chip memory data transfers when the DMA and the McBSP are both set to IDLE. In the case that the McBSP is set to external clock mode and the McBSP and the DMA are set to idle, the McBSP and the DMA can wake up from IDLE state automatically if the McBSP gets a new data transfer. The McBSP and the DMA enter the idle state automatically after data transfer is complete. [The clock generator (PLL) should be active and the PLL core should not be in power-down mode for the Auto-wakeup/Idle function to work.]

3.11.6 Clock State of Multiplexed Modules

The clock to the McBSP2, UART, and EMIF modules is disabled automatically when these modules are not selected through the External Bus Selection Register (XBSR). Note that any accesses to disabled modules will result in a bus error.

3.11.7 IDLE Control and Status Registers

The clock domains are controlled by the IDLE Configuration Register (ICR) that allows the user to place different parts of the device in Idle mode. The IDLE Status Register (ISTR) reflects the portion of the device that remains active. The peripheral domain is controlled by the Peripheral IDLE Control Register (PICR). The Peripheral IDLE Status Register (PISTR) reflects the portion of the peripherals that are in the IDLE state. The Master IDLE Control Register (MICR) is used to place the HPI and DMA in Idle mode. The IDLE state of the HPI and DMA is reflected by the Master IDLE Status Register (MISR). The PLL Control/Status Register (PLLCSR) is used to power down the PLL core when the IDLE instruction is executed.

The settings in the ICR, PICR, and MICR take effect after the IDLE instruction is executed. For example, writing xxx000001b into the ICR does not indicate that the CPU domain is in IDLE mode; rather, it indicates that after the IDLE instruction, the CPU domain will be in IDLE mode. Procedures for placing portions of the device in Idle mode and taking them out of Idle mode are described in Section 3.11.2 (IDLE Procedures) and Section 3.11.4 (Wake-Up Procedures), respectively.

Table 3-27. Clock Domain Memory-Mapped Registers

ADDRESS	REGISTER NAME
0x0001	IDLE Configuration Register (ICR)
0x0002	IDLE Status Register (ISTR)
0x9400	Peripheral IDLE Control Register (PICR)
0x9401	Peripheral IDLE Status Register (PISTR)
0x9402	Master IDLE Control Register (MICR)
0x9403	Master IDLE Status Register (MISR)

3.11.7.1 IDLE Configuration Register (ICR)

15				10		9	8
Reserved						CLKEI ⁽¹⁾	IPORTI
R, 000000						R/W, 0	R/W, 0
7	6	5	4	3	2	1	0
MPORTI	XPORTI	EMIFI	CLKI	PERI	ICACHEI	MPI	CPUI
R/W, 0	R/W, 0	R/W, 0	R/W, 0	R/W, 0	R/W, 0	R/W, 0	R/W, 0

LEGEND: R = Read, W = Write, n = value at reset

(1) This bit must be set to '1' when placing the clock generator in idle; otherwise, a bus error interrupt will be generated.

Figure 3-26. IDLE Configuration Register Layout (0x0001)

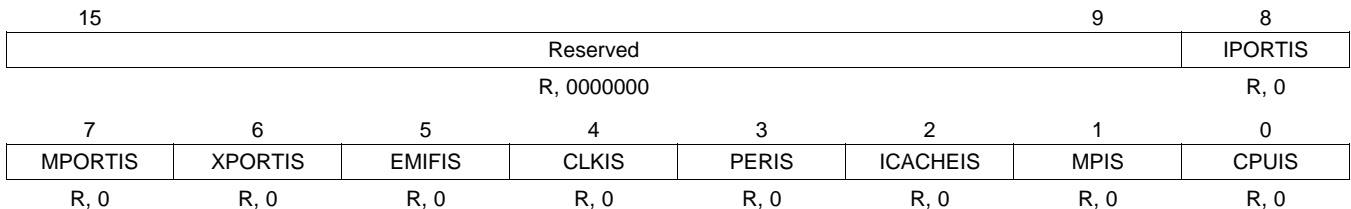
Table 3-28. IDLE Configuration Register Bit Field Description

BIT NAME	BIT NO.	ACCESS	RESET VALUE	DESCRIPTION
Reserved	15-10	R	000000	Reserved
CLKEI	9	R/W	0	<p>Extended device clock generator idle control bit. The CLKEI bit must be set to 1 along with the CLKI bit in order to properly place the device clock generator in idle.</p> <ul style="list-style-type: none"> • CLKI = 0 and CLKEI = 0: Device clock generator module remains active after execution of an IDLE instruction. • CLKI = 1 and CLKEI = 1: Device clock generator is disabled after execution of an IDLE instruction. <p>Any other combination of CLKI and CLKEI is not valid. Setting CLKI to 1 and executing the IDLE instruction will generate a bus error interrupt if CLKEI is not set to 1.</p> <p>Disabling the clock generator provides the lowest level of power reduction by stopping the system clock. Whenever the clock generator is idled, the CLKEI, CPUI, MPI, ICACHEI, EMIFI, XPORTI, MPORTI, and IPORTI bits must be set to 1 in order to ensure a proper power-down mode. A bus error interrupt will be generated if the idle instruction is executed when CLKI = 1 and any of these bits are not set to 1.</p>
IPORTI	8	R/W	0	<p>IPORT idle control bit. The IPORT is used for all ICACHE transactions.</p> <ul style="list-style-type: none"> • IPORTI = 0: IPORT remains active after execution of an IDLE instruction • IPORTI = 1: IPORT is disabled after execution of an IDLE instruction
MPORTI	7	R/W	0	<p>MPORT idle control bit. The MPORT is used for all DMA and HPI transactions.</p> <ul style="list-style-type: none"> • MPORTI = 0: MPORT remains active after execution of an IDLE instruction • MPORTI = 1: MPORT is disabled after execution of an IDLE instruction
XPORTI	6	R/W	0	<p>XPORT idle control bit. The XPORT is used for all I/O memory transactions.</p> <ul style="list-style-type: none"> • XPORTI = 0: XPORT remains active after execution of an IDLE instruction • XPORTI = 1: XPORT is disabled after execution of an IDLE instruction
EMIFI	5	R/W	0	<p>External Memory Interface (EMIF) idle control bit</p> <ul style="list-style-type: none"> • EMIFI = 0: EMIF module remains active after execution of an IDLE instruction • EMIFI = 1: EMIF module is disabled after execution of an IDLE instruction
CLKI	4	R/W	0	<p>Device clock generator idle control bit. The CLKEI bit must be set to 1 along with the CLKI bit in order to properly place the device clock generator in idle.</p> <ul style="list-style-type: none"> • CLKI = 0 and CLKEI = 0: Device clock generator module remains active after execution of an IDLE instruction. • CLKI = 1 and CLKEI = 1: Device clock generator is disabled after execution of an IDLE instruction. <p>Any other combination of CLKI and CLKEI is not valid. Setting CLKI to 1 and executing the IDLE instruction will generate a bus error interrupt if CLKEI is not set to 1.</p> <p>Disabling the clock generator provides the lowest level of power reduction by stopping the system clock. Whenever the clock generator is idled, the CLKEI, CPUI, MPI, ICACHEI, EMIFI, XPORTI, MPORTI, and IPORTI bits must be set to 1 in order to ensure a proper power-down mode. A bus error interrupt will be generated if the idle instruction is executed when CLKI = 1 and any of these bits are not set to 1.</p>

Table 3-28. IDLE Configuration Register Bit Field Description (continued)

BIT NAME	BIT NO.	ACCESS	RESET VALUE	DESCRIPTION
PERI	3	R/W	0	Peripheral Idle control bit <ul style="list-style-type: none"> PERI = 0: All peripheral modules become/remain active after execution of an IDLE instruction PERI = 1: All peripheral modules with 1 in PICR are disabled after execution of an IDLE instruction
ICACHEI	2	R/W	0	ICACHE idle control bit <ul style="list-style-type: none"> ICACHEI = 0: ICACHE module remains active after execution of an IDLE instruction ICACHEI = 1: ICACHE module is disabled after execution of an IDLE instruction
MPI	1	R/W	0	Master peripheral (DMA and HPI) idle control bit <ul style="list-style-type: none"> MPI = 0: DMA and HPI modules remain active after execution of an IDLE instruction MPI = 1: DMA and HPI modules are disabled after execution of an IDLE instruction
CPUI	0	R/W	0	CPU idle control bit <ul style="list-style-type: none"> CPUI = 0: CPU module remains active after execution of an IDLE instruction CPUI = 1: CPU module is disabled after execution of an IDLE instruction

3.11.7.2 IDLE Status Register (ISTR)



LEGEND: R = Read, W = Write, n = value at reset

Figure 3-27. IDLE Status Register Layout (0x0002)

Table 3-29. IDLE Status Register Bit Field Description

BIT NAME	BIT NO.	ACCESS	RESET VALUE	DESCRIPTION
Reserved	15-9	R	0000000	Reserved
I _{PORTIS}	8	R	0	I _{PORT} idle status bit. The I _{PORT} is used for all ICACHE transactions. <ul style="list-style-type: none"> I_{PORTIS} = 0: I_{PORT} is active I_{PORTIS} = 1: I_{PORT} is disabled
M _{PORTIS}	7	R	0	M _{PORT} idle status bit. The M _{PORT} is used for all DMA and HPI transactions. <ul style="list-style-type: none"> M_{PORTIS} = 0: M_{PORT} is active M_{PORTIS} = 1: M_{PORT} is disabled
X _{PORTIS}	6	R	0	X _{PORT} idle status bit. The X _{PORT} is used for all I/O memory transactions. <ul style="list-style-type: none"> X_{PORTIS} = 0: X_{PORT} is active X_{PORTIS} = 1: X_{PORT} is disabled

Table 3-29. IDLE Status Register Bit Field Description (continued)

BIT NAME	BIT NO.	ACCESS	RESET VALUE	DESCRIPTION
EMIFIS	5	R	0	External Memory Interface (EMIF) idle status bit <ul style="list-style-type: none"> EMIFIS = 0: EMIF module is active EMIFIS = 1: EMIF module is disabled
CLKIS	4	R	0	Device clock generator idle status bit <ul style="list-style-type: none"> CLKIS = 0: Device clock generator module is active CLKIS = 1: Device clock generator is disabled
PERIS	3	R	0	Peripheral idle status bit <ul style="list-style-type: none"> PERIS = 0: All peripheral modules are active PERIS = 1: All peripheral modules are disabled
ICACHEIS	2	R	0	ICACHE idle status bit <ul style="list-style-type: none"> ICACHEIS = 0: ICACHE module is active ICACHEIS = 1: ICACHE module is disabled
MPIS	1	R	0	DMA and HPI idle status bit <ul style="list-style-type: none"> MPIS = 0: DMA and HPI modules are active MPIS = 1: DMA and HPI modules are disabled
CPUIS	0	R	0	CPU idle status bit <ul style="list-style-type: none"> CPUIS = 0: CPU module is active CPUIS = 1: CPU module is disabled

3.11.7.3 Peripheral IDLE Control Register (PICR)

15	14	13	12	11	10	9	8
Reserved		MISC	EMIF	BIOST	WDT	PIO	URT
R, 00		R/W, 0	R/W, 0	R/W, 0	R/W, 0	R/W, 0	R/W, 0
7	6	5	4	3	2	1	0
I2C	ID	IO	SP2	SP1	SP0	TIM1	TIM0
R/W, 0	R/W, 0	R/W, 0	R/W, 0	R/W, 0	R/W, 0	R/W, 0	R/W, 0

LEGEND: R = Read, W = Write, n = value at reset

Figure 3-28. Peripheral IDLE Control Register Layout (0x9400)

Table 3-30. Peripheral IDLE Control Register Bit Field Description

BIT NAME	BIT NO.	ACCESS	RESET VALUE	DESCRIPTION
Reserved	15-14	R	00	Reserved
MISC	13 ⁽¹⁾	R/W	0	MISC bit <ul style="list-style-type: none"> MISC = 0: Miscellaneous modules remain active when ISTR.PERIS = 1 and IDLE instruction is executed. MISC = 1: Miscellaneous module is disabled when ISTR.PERIS = 1 and IDLE instruction is executed. Miscellaneous modules include the XBSR, TIMEOUT Error Register, XBCR, Timer Signal Selection Register, CLKOUT Select Register, and Clock Mode Control Register.
EMIF	12 ⁽¹⁾	R/W	0	EMIF bit <ul style="list-style-type: none"> EMIF = 0: EMIF module remains active when ISTR.PERIS = 1 and IDLE instruction is executed. EMIF = 1: EMIF module is disabled when ISTR.PERIS = 1 and IDLE instruction is executed.
BIOST	11 ⁽¹⁾	R/W	0	BIOS timer bit <ul style="list-style-type: none"> BIOST = 0: DSP/BIOS timer remains active when ISTR.PERIS = 1 and the IDLE instruction is executed. BIOST = 1: DSP/BIOS timer is disabled when ISTR.PERIS = 1 and the IDLE instruction is executed.
WDT	10 ⁽¹⁾	R/W	0	Watchdog timer bit <ul style="list-style-type: none"> WDT = 0: WDT remains active when ISTR.PERIS = 1 and the IDLE instruction is executed. WDT = 1: WDT is disabled when ISTR.PERIS = 1 and the IDLE instruction is executed.
PIO	9 ⁽¹⁾	R/W	0	Parallel GPIO bit <ul style="list-style-type: none"> PIO = 0: Parallel GPIO remains active when ISTR.PERIS = 1 (ISTR.[3]) and the IDLE instruction is executed. PIO = 1: Parallel GPIO is disabled when ISTR.PERIS = 1 and the IDLE instruction is executed.
URT	8 ⁽¹⁾	R/W	0	UART bit <ul style="list-style-type: none"> URT = 0: UART remains active when ISTR.PERIS = 1 and the IDLE instruction is executed. URT = 1: UART is disabled when ISTR.PERIS = 1 and the IDLE instruction is executed.
I2C	7 ⁽¹⁾	R/W	0	I2C bit <ul style="list-style-type: none"> I2C = 0: I2C remains active when ISTR.PERIS = 1 and the IDLE instruction is executed. I2C = 1: I2C is disabled when ISTR.PERIS = 1 and the IDLE instruction is executed.

(1) If the peripheral is already in IDLE, setting PERIS (bit 3 of ISTR) to 0 and executing the IDLE instruction will wake up all peripherals, and PICR bit settings will be ignored. If PERIS = 1, executing the IDLE instruction will wake up the peripheral if the PICR bit is 0.

Table 3-30. Peripheral IDLE Control Register Bit Field Description (continued)

BIT NAME	BIT NO.	ACCESS	RESET VALUE	DESCRIPTION
ID	6 ⁽¹⁾	R/W	0	ID bit <ul style="list-style-type: none"> ID = 0: ID remains active when ISTR.PERIS = 1 and the IDLE instruction is executed. ID = 1: ID is disabled when ISTR.PERIS = 1 and the IDLE instruction is executed.
IO	5 ⁽¹⁾	R/W	0	IO bit <ul style="list-style-type: none"> IO = 0: GPIO remains active when ISTR.PERIS = 1 and the IDLE instruction is executed. IO = 1: GPIO is disabled when ISTR.PERIS = 1 and the IDLE instruction is executed.
SP2	4 ⁽¹⁾	R/W	0	McBSP2 bit <ul style="list-style-type: none"> SP2 = 0: McBSP2 remains active when ISTR.PERIS = 1 and the IDLE instruction is executed. SP2 = 1: McBSP2 is disabled when ISTR.PERIS = 1 and the IDLE instruction is executed.
SP1	3 ⁽¹⁾	R/W	0	McBSP1 bit <ul style="list-style-type: none"> SP1 = 0: McBSP1 remains active when ISTR.PERIS = 1 and the IDLE instruction is executed. SP1 = 1: McBSP1 is disabled when ISTR.PERIS = 1 and the IDLE instruction is executed.
SP0	2 ⁽¹⁾	R/W	0	McBSP0 bit <ul style="list-style-type: none"> SP0 = 0: McBSP0 remains active when ISTR.PERIS = 1 and the IDLE instruction is executed. SP0 = 1: McBSP0 is disabled when ISTR.PERIS = 1 and the IDLE instruction is executed.
TIM1	1 ⁽¹⁾	R/W	0	TIMER1 bit <ul style="list-style-type: none"> TIM1 = 0: TIMER1 remains active when ISTR.PERIS = 1 and the IDLE instruction is executed. TIM1 = 1: TIMER1 is disabled when ISTR.PERIS = 1 and the IDLE instruction is executed.
TIM0	0 ⁽¹⁾	R/W	0	TIMER0 bit <ul style="list-style-type: none"> TIM0 = 0: TIMER0 remains active when ISTR.PERIS = 1 and the IDLE instruction is executed. TIM0 = 1: TIMER0 is disabled when ISTR.PERIS = 1 and the IDLE instruction is executed.

3.11.7.4 Peripheral IDLE Status Register (PISTR)

15	14	13	12	11	10	9	8
Reserved		MISC	EMIF	BIOST	WDT	PIO	URT
R, 00		R, 0	R, 0	R, 0	R, 0	R, 0	R, 0
7	6	5	4	3	2	1	0
I2C	ID	IO	SP2	SP1	SP0	TIM1	TIM0
R, 0	R, 0	R, 0	R, 0	R, 0	R, 0	R, 0	R, 0

LEGEND: R = Read, W = Write, n = value at reset

Figure 3-29. Peripheral IDLE Status Register Layout (0x9401)

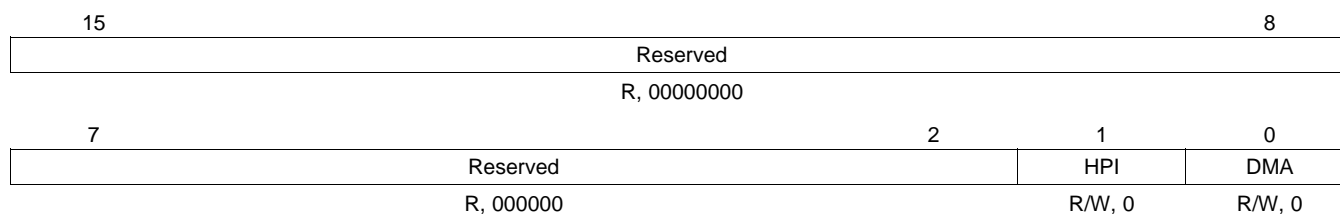
Table 3-31. Peripheral IDLE Status Register Bit Field Description

BIT NAME	BIT NO.	ACCESS	RESET VALUE	DESCRIPTION
Reserved	15-14	R	00	Reserved
MISC	13	R	0	MISC bit <ul style="list-style-type: none"> MISC = 0: Miscellaneous modules are active MISC = 1: Miscellaneous modules are disabled Miscellaneous modules include the XBSR, TIMEOUT Error Register, XBCR, Timer Signal Selection Register, CLKOUT Select Register, and Clock Mode Control Register.
EMIF	12	R	0	EMIF bit <ul style="list-style-type: none"> EMIF = 0: EMIF module is active EMIF = 1: EMIF module is disabled
BIOST	11	R	0	BIOS timer bit <ul style="list-style-type: none"> BIOST = 0: DSP/BIOS timer is active BIOST = 1: DSP/BIOS timer is disabled
WDT	10	R	0	Watchdog timer bit <ul style="list-style-type: none"> WDT = 0: WDT is active WDT = 1: WDT is disabled
PIO	9	R	0	Parallel GPIO bit <ul style="list-style-type: none"> PIO = 0: Parallel GPIO is active PIO = 1: Parallel GPIO is disabled
URT	8	R	0	UART bit <ul style="list-style-type: none"> URT = 0: UART is active URT = 1: UART is disabled
I2C	7	R	0	I2C bit <ul style="list-style-type: none"> I2C = 0: I2C is active I2C = 1: I2C is disabled
ID	6	R	0	ID bit <ul style="list-style-type: none"> ID = 0: ID is active ID = 1: ID is disabled
IO	5	R	0	IO bit <ul style="list-style-type: none"> IO = 0: GPIO is active IO = 1: GPIO is disabled
SP2	4	R	0	McBSP2 bit <ul style="list-style-type: none"> SP2 = 0: McBSP2 is active SP2 = 1: McBSP2 is disabled
SP1	3	R	0	McBSP1 bit <ul style="list-style-type: none"> SP1 = 0: McBSP1 is active SP1 = 1: McBSP1 is disabled

Table 3-31. Peripheral IDLE Status Register Bit Field Description (continued)

BIT NAME	BIT NO.	ACCESS	RESET VALUE	DESCRIPTION
SP0	2	R	0	McBSP0 bit <ul style="list-style-type: none"> SP0 = 0: McBSP0 is active SP0 = 1: McBSP0 is disabled
TIM1	1	R	0	TIMER1 bit <ul style="list-style-type: none"> TIM1 = 0: TIMER1 is active TIM1 = 1: TIMER1 is disabled
TIM0	0	R	0	TIMER0 bit <ul style="list-style-type: none"> TIM0 = 0: TIMER0 is active TIM0 = 1: TIMER0 is disabled

3.11.7.5 Master IDLE Control Register (MICR)



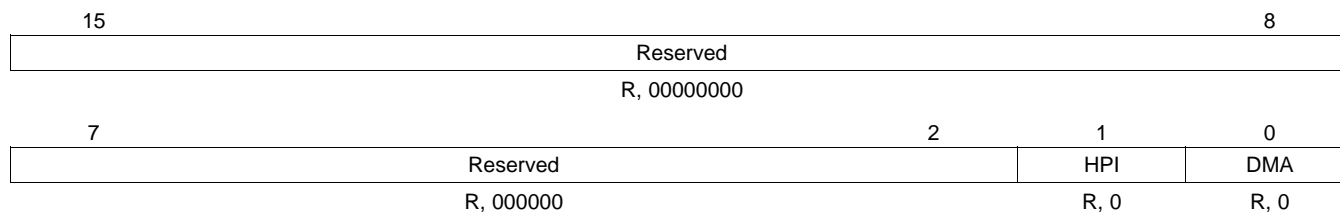
LEGEND: R = Read, W = Write, n = value at reset

Figure 3-30. Master IDLE Control Register Layout (0x9402)

Table 3-32. Master IDLE Control Register Bit Field Description

BIT NAME	BIT NO.	ACCESS	RESET VALUE	DESCRIPTION
Reserved	15-2	R	00000000000000	Reserved
HPI	1	R/W	0	HPI bit <ul style="list-style-type: none"> HPI = 0: HPI remains active when ISTR.MPIS becomes 1 HPI = 1: HPI is disabled when ISTR.MPIS becomes 1
DMA	0	R/W	0	DMA bit <ul style="list-style-type: none"> DMA = 0: DMA remains active when ISTR.MPIS becomes 1 DMA = 1: DMA is disabled when ISTR.MPIS becomes 1

3.11.7.6 Master IDLE Status Register (MISR)



LEGEND: R = Read, W = Write, n = value at reset

Figure 3-31. Master IDLE Status Register Layout (0x9403)

Table 3-33. Master IDLE Status Register Bit Field Description

BIT NAME	BIT NO.	ACCESS	RESET VALUE	DESCRIPTION
Reserved	15-2	R	00000000000000	Reserved
HPI	1	R	0	HPI bit <ul style="list-style-type: none"> HPI = 0: HPI is active HPI = 1: HPI is in IDLE status
DMA	0	R	0	DMA bit <ul style="list-style-type: none"> DMA = 0: DMA is active DMA = 1: DMA is in IDLE status

3.12 General-Purpose I/O (GPIO)

The 5502 includes an 8-bit I/O port solely for general-purpose input and output. Several dual-purpose (multiplexed) pins complement the dedicated GPIO pins. The following sections describe the 8-bit GPIO port as well as the dual GPIO functions of the Parallel Port Mux and Host Port Mux pins.

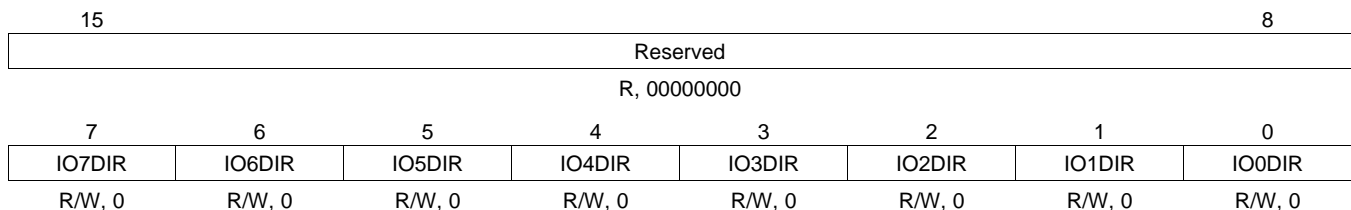
3.12.1 General-Purpose I/O Port

The general-purpose I/O port consists of eight individually bit-selectable I/O pins GPIO0 (LSB) through GPIO7 (MSB). The I/O port is controlled using two registers—IODIR and IODATA—that can be accessed by the CPU or by the DMA, via the peripheral bus controller. The General-Purpose I/O Direction Register (IODIR) is mapped at address 0x3400, and the General-Purpose I/O Data Register (IODATA) is mapped at address 0x3401.

The GPIO3 and GPIO5 pins are multiplexed with the CLKX2 and FSX2 signals through the SP0 and SP2 pins, respectively. The function of the SP0 and SP2 pins is determined by the state of the GPIO7 pin during reset. The SP0 and SP2 pins are set to GPIO3 and GPIO5, respectively, if GPIO7 is low during reset. The SP0 and SP2 pins are set to CLKX2 and FSX2, respectively, if GPIO7 is high during reset. The function of the SP0 and SP2 pins will be set once the device is taken out of reset (RESET pin transitions from a low to a high state).

Figure 3-32 and Figure 3-33 show the bit layout of IODIR and IODATA, respectively. Table 3-34 and Table 3-35 describe the bit fields of these registers.

3.12.1.1 General-Purpose I/O Direction Register (IODIR)



LEGEND: R = Read, W = Write, n = value at reset

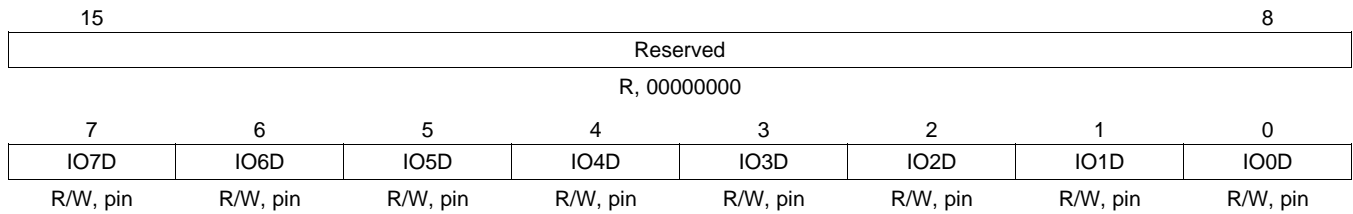
Figure 3-32. GPIO Direction Register Layout (0x3400)

Table 3-34. GPIO Direction Register Bit Field Description⁽¹⁾

BIT NAME	BIT NO.	ACCESS	RESET VALUE	DESCRIPTION
Reserved	15-8	R	00000000	Reserved
IOxDIR	7-0	R/W	00000000	Data direction bits that configure the GPIO pins as inputs or outputs. <ul style="list-style-type: none"> IOxDIR = 0: Configure corresponding GPIO pin as an input IOxDIR = 1: Configure corresponding GPIO pin as an output

(1) x = value from 0 to 7

3.12.1.2 General-Purpose I/O Data Register (IODATA)



LEGEND: R = Read, W = Write, n = value at reset, pin = the reset value depends on the signal level on the corresponding I/O pin.

Figure 3-33. GPIO Data Register Layout (0x3401)

Table 3-35. GPIO Data Register Bit Field Description⁽¹⁾

BIT NAME	BIT NO.	ACCESS	RESET VALUE	DESCRIPTION
Reserved	15-8	R	00000000	Reserved
IOxD	7-0	R/W	Depends on the signal level on the corresponding I/O pin	Data bits that are used to control the level of the I/O pins configured as outputs and to monitor the level of the I/O pins configured as inputs. If IOxDIR = 0, then: <ul style="list-style-type: none"> IOxD = 0: Corresponding GPIO pin is read as a low IOxD = 1: Corresponding GPIO pin is read as a high If IOxDIR = 1, then: <ul style="list-style-type: none"> IOxD = 0: Set corresponding GPIO pin to low IOxD = 1: Set corresponding GPIO pin to high

(1) x = value from 0 to 7

3.12.2 Parallel Port General-Purpose I/O (PGPIO)

Four address pins (A[21:18]), 16 data pins (D[31:16]), 16 control signals (C[15:0]), 8 host data pins (HD[7:0]), and 2 HPI control pins (HC0, HC1) can be individually enabled as PGPIO when the Parallel/Host Port Mux Mode bit field of the External Bus Selection Register (XBSR) is cleared for non-multiplexed HPI mode (see Table 3-36). These pins are controlled by three sets of registers: the PGPIO enable registers, the PGPIO direction registers, and the PGPIO data registers.

- The PGPIO enable registers PGPIOEN0-PGPIOEN2 (see Figure 3-34, Figure 3-37, and Figure 3-40) determine if the pin serves as PGPIO or if it is placed in high-impedance state.
- The PGPIO direction registers PGPIODIR0-PGPIODIR2 (see Figure 3-35, Figure 3-38, and Figure 3-41) determine if the pin is an input or output.
- The PGPIO data registers PGPIODAT0-PGPIODAT2 (see Figure 3-36, Figure 3-39, and Figure 3-42) store the value read or written externally.

NOTE

The enable registers PGPIOENn cannot override the External Bus Selection Register (XBSR) setting.

Table 3-36. TMS320VC5502 PGPIO Cross-Reference

Pin	PARALLEL/HOST PORT MUX MODE = 0 (HPI NON-MULTIPLEX)	PARALLEL/HOST PORT MUX MODE = 1 (FULL EMIF)
EMIF Address Bus		
A[21:18]	PGPIO[3:0]	EMIF.A[21:18]
EMIF Data Bus		
D[31:16]	PGPIO[19:4]	EMIF.D[31:16]
EMIF Control Bus		
C0	PGPIO20	EMIF. $\overline{\text{ARE}}$ /SADS/SDCAS/SRE
C1	PGPIO21	EMIF. $\overline{\text{AOE}}$ /SOE/SDRAS
C2	PGPIO22	EMIF. $\overline{\text{AWE}}$ /SWE/SDWE
C3	PGPIO23	EMIF.ARDY
C4	PGPIO24	EMIF. $\overline{\text{CE0}}$
C5	PGPIO25	EMIF. $\overline{\text{CE1}}$
C6	PGPIO26	EMIF. $\overline{\text{CE2}}$
C7	PGPIO27	EMIF. $\overline{\text{CE3}}$
C8	PGPIO28	EMIF. $\overline{\text{BE0}}$
C9	PGPIO29	EMIF. $\overline{\text{BE1}}$
C10	PGPIO30	EMIF. $\overline{\text{BE2}}$
C11	PGPIO31	EMIF. $\overline{\text{BE3}}$
C12	PGPIO32	EMIF.SDCKE
C13	PGPIO33	EMIF. $\overline{\text{SOE3}}$
C14	PGPIO34	EMIF.HOLD
C15	PGPIO35	EMIF.HOLDA
HPI Data Bus		
HD[7:0]	PGPIO[43:36]	HPI.HD[7:0]
HPI Control Bus		
HC0	PGPIO44	HPI. $\overline{\text{HAS}}$
HC1	PGPIO45	HPI.HBIL

3.12.2.1 Parallel GPIO Enable Register 0 (PGPIOEN0)

15	14	13	12	11	10	9	8
IO15EN	IO14EN	IO13EN	IO12EN	IO11EN	IO10EN	IO9EN	IO8EN
R/W, 0	R/W, 0	R/W, 0	R/W, 0	R/W, 0	R/W, 0	R/W, 0	R/W, 0
7	6	5	4	3	2	1	0
IO7EN	IO6EN	IO5EN	IO4EN	IO3EN	IO2EN	IO1EN	IO0EN
R/W, 0	R/W, 0	R/W, 0	R/W, 0	R/W, 0	R/W, 0	R/W, 0	R/W, 0

LEGEND: R = Read, W = Write, n = value at reset

Figure 3-34. Parallel GPIO Enable Register 0 Layout (0x4400)

Table 3-37. Parallel GPIO Enable Register 0 Bit Field Description⁽¹⁾

BIT NAME	BIT NO.	ACCESS	RESET VALUE	DESCRIPTION
IOxEN	15-0	R/W	0000000000000000	Enable or disable GPIO function of the corresponding I/O pins. See Table 3-36, TMS320VC5502 PGPIO Cross-Reference. <ul style="list-style-type: none"> IOxEN = 0: GPIO function of corresponding signal is disabled, i.e., the pin goes into a high-impedance state. IOxEN = 1: GPIO function of corresponding signal is enabled, i.e., the signal supports its GPIO function.

(1) x = value from 0 to 15

3.12.2.2 Parallel GPIO Direction Register 0 (PGPIODIR0)

15	14	13	12	11	10	9	8
IO15DIR	IO14DIR	IO13DIR	IO12DIR	IO11DIR	IO10DIR	IO9DIR	IO8DIR
R/W, 0	R/W, 0	R/W, 0	R/W, 0	R/W, 0	R/W, 0	R/W, 0	R/W, 0
7	6	5	4	3	2	1	0
IO7DIR	IO6DIR	IO5DIR	IO4DIR	IO3DIR	IO2DIR	IO1DIR	IO0DIR
R/W, 0	R/W, 0	R/W, 0	R/W, 0	R/W, 0	R/W, 0	R/W, 0	R/W, 0

LEGEND: R = Read, W = Write, n = value at reset

Figure 3-35. Parallel GPIO Direction Register 0 Layout (0x4401)

Table 3-38. Parallel GPIO Direction Register 0 Bit Field Description⁽¹⁾

BIT NAME	BIT NO.	ACCESS	RESET VALUE	DESCRIPTION
IOxDIR	15-0	R/W	0000000000000000	Data direction bits that configure corresponding I/O pins either as inputs or outputs. See Table 3-36, TMS320VC5502 PGPIO Cross-Reference. <ul style="list-style-type: none"> IOxDIR = 0: Configure corresponding pin as an input. IOxDIR = 1: Configure corresponding pin as an output.

(1) x = value from 0 to 15

3.12.2.3 Parallel GPIO Data Register 0 (PGPIODAT0)

15	14	13	12	11	10	9	8
IO15DAT	IO14DAT	IO13DAT	IO12DAT	IO11DAT	IO10DAT	IO9DAT	IO8DAT
R/W, pin	R/W, pin	R/W, pin	R/W, pin	R/W, pin	R/W, pin	R/W, pin	R/W, pin
7	6	5	4	3	2	1	0
IO7DAT	IO6DAT	IO5DAT	IO4DAT	IO3DAT	IO2DAT	IO1DAT	IO0DAT
R/W, pin	R/W, pin	R/W, pin	R/W, pin	R/W, pin	R/W, pin	R/W, pin	R/W, pin

LEGEND: R = Read, W = Write, n = value at reset, pin = the reset value depends on the signal level on the corresponding I/O pin.

Figure 3-36. Parallel GPIO Data Register 0 Layout (0x4402)

Table 3-39. Parallel GPIO Data Register 0 Bit Field Description⁽¹⁾

BIT NAME	BIT NO.	ACCESS	RESET VALUE	DESCRIPTION
IOxDAT	15-0	R/W	Depends on the signal level on the corresponding I/O pin	Data bits that are used to control the level of the corresponding I/O pins configured as output pins and to monitor the level of the corresponding I/O pins configured as input pins. See Table 3-36, TMS320VC5502 PGPIO Cross-Reference. If IOxDIR = 0, then: <ul style="list-style-type: none"> IOxDAT = 0: Corresponding I/O pin is read as a low IOxDAT = 1: Corresponding I/O pin is read as a high If IOxDIR = 1, then: <ul style="list-style-type: none"> IOxDAT = 0: Set corresponding I/O pin to low IOxDAT = 1: Set corresponding I/O pin to high

(1) x = value from 0 to 15

3.12.2.4 Parallel GPIO Enable Register 1 (PGPIOEN1)

15	14	13	12	11	10	9	8
IO31EN	IO30EN	IO29EN	IO28EN	IO27EN	IO26EN	IO25EN	IO24EN
R/W, 0	R/W, 0	R/W, 0	R/W, 0	R/W, 0	R/W, 0	R/W, 0	R/W, 0
7	6	5	4	3	2	1	0
IO23EN	IO22EN	IO21EN	IO20EN	IO19EN	IO18EN	IO17EN	IO16EN
R/W, 0	R/W, 0	R/W, 0	R/W, 0	R/W, 0	R/W, 0	R/W, 0	R/W, 0

LEGEND: R = Read, W = Write, n = value at reset

Figure 3-37. Parallel GPIO Enable Register 1 Layout (0x4403)

Table 3-40. Parallel GPIO Enable Register 1 Bit Field Description⁽¹⁾

BIT NAME	BIT NO.	ACCESS	RESET VALUE	DESCRIPTION
IOxEN	15-0	R/W	0000000000000000	Enable or disable GPIO function of the corresponding I/O pins. See Table 3-36, TMS320VC5502 PGPIO Cross-Reference. <ul style="list-style-type: none"> IOxEN = 0: GPIO function of corresponding signal is disabled, i.e., the pin goes into a high-impedance state. IOxEN = 1: GPIO function of corresponding signal is enabled, i.e., the signal supports its GPIO function.

(1) x = value from 16 to 31

3.12.2.5 Parallel GPIO Direction Register 1 (PGPIODIR1)

15	14	13	12	11	10	9	8
IO31DIR	IO30DIR	IO29DIR	IO28DIR	IO27DIR	IO26DIR	IO25DIR	IO24DIR
R/W, 0	R/W, 0	R/W, 0	R/W, 0	R/W, 0	R/W, 0	R/W, 0	R/W, 0
7	6	5	4	3	2	1	0
IO23DIR	IO22DIR	IO21DIR	IO20DIR	IO19DIR	IO18DIR	IO17DIR	IO16DIR
R/W, 0	R/W, 0	R/W, 0	R/W, 0	R/W, 0	R/W, 0	R/W, 0	R/W, 0

LEGEND: R = Read, W = Write, n = value at reset

Figure 3-38. Parallel GPIO Direction Register 1 Layout (0x4404)

Table 3-41. Parallel GPIO Direction Register 1 Bit Field Description⁽¹⁾

BIT NAME	BIT NO.	ACCESS	RESET VALUE	DESCRIPTION
IOxDIR	15-0	R/W	0000000000000000	Data direction bits that configure corresponding I/O pins either as inputs or outputs. See Table 3-36, TMS320VC5502 PGPIO Cross-Reference. <ul style="list-style-type: none"> IOxDIR = 0: Configure corresponding pin as an input. IOxDIR = 1: Configure corresponding pin as an output.

(1) x = value from 16 to 31

3.12.2.6 Parallel GPIO Data Register 1 (PGPIODAT1)

15	14	13	12	11	10	9	8
IO31DAT	IO30DAT	IO29DAT	IO28DAT	IO27DAT	IO26DAT	IO25DAT	IO24DAT
R/W, pin	R/W, pin	R/W, pin	R/W, pin	R/W, pin	R/W, pin	R/W, pin	R/W, pin
7	6	5	4	3	2	1	0
IO23DAT	IO22DAT	IO21DAT	IO20DAT	IO19DAT	IO18DAT	IO17DAT	IO16DAT
R/W, pin	R/W, pin	R/W, pin	R/W, pin	R/W, pin	R/W, pin	R/W, pin	R/W, pin

LEGEND: R = Read, W = Write, n = value at reset, pin = the reset value depends on the signal level on the corresponding I/O pin.

Figure 3-39. Parallel GPIO Data Register 1 Layout (0x4405)

Table 3-42. Parallel GPIO Data Register 1 Bit Field Description⁽¹⁾

BIT NAME	BIT NO.	ACCESS	RESET VALUE	DESCRIPTION
IOxDAT	15-0	R/W	Depends on the signal level on the corresponding I/O pin	Data bits used to control the level of the corresponding I/O pins configured as output pins and to monitor the level of the corresponding I/O pins configured as input pins. See Table 3-36, TMS320VC5502 PGPIO Cross-Reference. If IOxDIR = 0, then: <ul style="list-style-type: none"> IOxDAT = 0: Corresponding I/O pin is read as a low IOxDAT = 1: Corresponding I/O pin is read as a high If IOxDIR = 1, then: <ul style="list-style-type: none"> IOxDAT = 0: Set corresponding I/O pin to low IOxDAT = 1: Set corresponding I/O pin to high

(1) x = value from 16 to 31

3.12.2.7 Parallel GPIO Enable Register 2 (PGPIOEN2)

15	14	13	12	11	10	9	8
Reserved		IO45EN	IO44EN	IO43EN	IO42EN	IO41EN	IO40EN
R/W, 00		R/W, 0	R/W, 0	R/W, 0	R/W, 0	R/W, 0	R/W, 0
7	6	5	4	3	2	1	0
IO39EN	IO38EN	IO37EN	IO36EN	IO35EN	IO34EN	IO33EN	IO32EN
R/W, 0	R/W, 0	R/W, 0	R/W, 0	R/W, 0	R/W, 0	R/W, 0	R/W, 0

LEGEND: R = Read, W = Write, n = value at reset

Figure 3-40. Parallel GPIO Enable Register 2 Layout (0x4406)

Table 3-43. Parallel GPIO Enable Register 2 Bit Field Description⁽¹⁾

BIT NAME	BIT NO.	ACCESS	RESET VALUE	DESCRIPTION
Reserved	15-14	R/W	00	Reserved
IOxEN	13-0	R/W	0000000000000000	Enable or disable GPIO function of the corresponding I/O pins. See Table 3-36, TMS320VC5502 PGPIO Cross-Reference. <ul style="list-style-type: none"> IOxEN = 0: GPIO function of corresponding signal is disabled, i.e., the pin goes into a high-impedance state. IOxEN = 1: GPIO function of corresponding signal is enabled, i.e., the signal supports its GPIO function.

(1) x = value from 32 to 45

3.12.2.8 Parallel GPIO Direction Register 2 (PGPIODIR2)

15	14	13	12	11	10	9	8
Reserved		IO45DIR	IO44DIR	IO43DIR	IO42DIR	IO41DIR	IO40DIR
R/W, 00		R/W, 0	R/W, 0	R/W, 0	R/W, 0	R/W, 0	R/W, 0
7	6	5	4	3	2	1	0
IO39DIR	IO38DIR	IO37DIR	IO36DIR	IO35DIR	IO34DIR	IO33DIR	IO32DIR
R/W, 0	R/W, 0	R/W, 0	R/W, 0	R/W, 0	R/W, 0	R/W, 0	R/W, 0

LEGEND: R = Read, W = Write, n = value at reset

Figure 3-41. Parallel GPIO Direction Register 2 Layout (0x4407)

Table 3-44. Parallel GPIO Direction Register 2 Bit Field Description⁽¹⁾

BIT NAME	BIT NO.	ACCESS	RESET VALUE	DESCRIPTION
Reserved	15-14	R/W	00	Reserved
IOxDIR	13-0	R/W	0000000000000000	Data direction bits that configure corresponding I/O pins either as inputs or outputs. See Table 3-36, TMS320VC5502 PGPIO Cross-Reference. <ul style="list-style-type: none"> IOxDIR = 0: Configure corresponding pin as an input. IOxDIR = 1: Configure corresponding pin as an output.

(1) x = value from 32 to 45

3.12.2.9 Parallel GPIO Data Register 2 (PGPIODAT2)

15	14	13	12	11	10	9	8
Reserved		IO45DAT	IO44DAT	IO43DAT	IO42DAT	IO41DAT	IO40DAT
R/W, 00		R/W, pin	R/W, pin	R/W, pin	R/W, pin	R/W, pin	R/W, pin
7	6	5	4	3	2	1	0
IO39DAT	IO38DAT	IO37DAT	IO36DAT	IO35DAT	IO34DAT	IO33DAT	IO32DAT
R/W, pin	R/W, pin	R/W, pin	R/W, pin	R/W, pin	R/W, pin	R/W, pin	R/W, pin

LEGEND: R = Read, W = Write, n = value at reset, pin = the reset value depends on the signal level on the corresponding I/O pin.

Figure 3-42. Parallel GPIO Data Register 2 Layout (0x4408)

Table 3-45. Parallel GPIO Data Register 2 Bit Field Description⁽¹⁾

BIT NAME	BIT NO.	ACCESS	RESET VALUE	DESCRIPTION
Reserved	15-14	R/W	00	Reserved
IOxDAT	13-0	R/W	Depends on the signal level on the corresponding I/O pin	Data bits used to control the level of the I/O pins configured as output pins, and to monitor the level of the corresponding I/O pins configured as input pins. See Table 3-36, TMS320VC5502 PGPIO Cross-Reference. If IOxDIR = 0, then: <ul style="list-style-type: none"> IOxDAT = 0: Corresponding I/O pin is read as a low IOxDAT = 1: Corresponding I/O pin is read as a high If IOxDIR = 1, then: <ul style="list-style-type: none"> IOxDAT = 0: Set corresponding I/O pin to low IOxDAT = 1: Set corresponding I/O pin to high

(1) x = value from 32 to 45

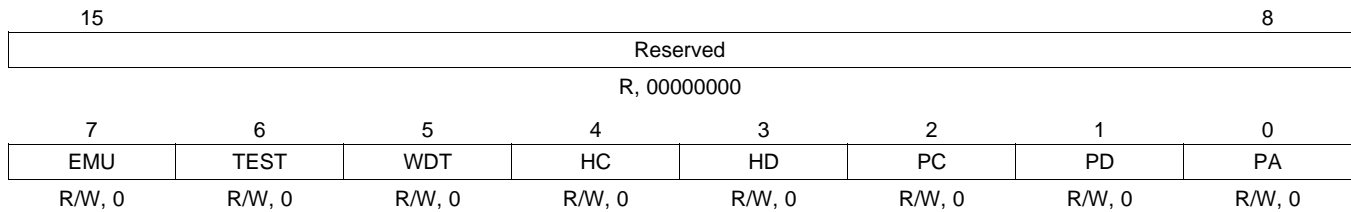
3.13 External Bus Control Register

The External Bus Control Register is used to disable/enable the bus pullups, pulldowns, and bus holders of the 5502 pins. Table 3-46 lists which 5502 pins have pullups, pulldowns, and bus holders, and which bit on the XBCR enables/disables that feature. Please note that for pins with dual functionality (e.g., HC0, HC1, C0, etc.), the bus holder, pullup, and pulldown feature of each pin can be enabled or disabled regardless of the function of the pin at the time.

Table 3-46. Pins With Pullups, Pulldowns, and Bus Holders

XBCR CONTROL BIT	PIN	FEATURE
TEST	TCK	Pullup
	TDI	Pullup
	TMS	Pullup
	$\overline{\text{TRST}}$	Pulldown
EMU	EMU1/ $\overline{\text{OFF}}$	Pullup
	EMU0	Pullup
WDT	$\overline{\text{NMI}}$ / $\overline{\text{WDTOUT}}$	Pullup
HC	HC0	Pullup
	HC1	Pulldown
	HCNTL0	Pullup
	HCNTL1	Pullup
	$\overline{\text{HCS}}$	Pullup
	$\overline{\text{HR}}/\overline{\text{W}}$	Pullup
	$\overline{\text{HDS1}}$	Pullup
	$\overline{\text{HDS2}}$	Pullup
	HRDY	Pullup
$\overline{\text{HINT}}$	Pullup	
HD	HD[7:0]	Bus Holder
PC	C0	Bus Holder
	C1	Bus Holder
	C2	Bus Holder
	C3	Pullup
	C4	Bus Holder
	C5	Bus Holder
	C6	Bus Holder
	C7	Bus Holder
	C8	Bus Holder
	C9	Bus Holder
	C10	Bus Holder
	C11	Bus Holder
	C12	Bus Holder
	C13	Bus Holder
	C14	Pullup
C15	Bus Holder	
PD	D[31:0]	Bus Holder
PA	A[21:2]	Bus Holder

3.13.1 External Bus Control Register (XBCR)



LEGEND: R = Read, W = Write, n = value at reset

Figure 3-43. External Bus Control Register Layout (0x8800)

Table 3-47. External Bus Control Register Bit Field Description

BIT NAME	BIT NO.	ACCESS	RESET VALUE	DESCRIPTION
Reserved	15-8	R	00000000	Reserved
EMU	7	R/W	0	EMU bit <ul style="list-style-type: none"> • EMU = 0: Pullups on EMU1 and EMU0 pins are enabled. • EMU = 1: Pullups on EMU1 and EMU0 pins are disabled.
TEST	6	R/W	0	TEST bit <ul style="list-style-type: none"> • TEST = 0: Pullups/pulldowns on test pins are enabled (does not include EMU1 and EMU0 pins) • TEST = 1: Pullups/pulldowns on test pins are disabled (does not include EMU1 and EMU0 pins)
WDT	5	R/W	0	WDT bit <ul style="list-style-type: none"> • WDT = 0: Pullup on $\overline{\text{NMI}}/\text{WDTOUT}$ pin is enabled • WDT = 1: Pullup on $\overline{\text{NMI}}/\text{WDTOUT}$ pin is disabled
HC	4	R/W	0	HPI control signal bit <ul style="list-style-type: none"> • HC = 0: Pullups/pulldowns on HPI control pins (HC0 and HC1) are enabled • HC = 1: Pullups/pulldowns on HPI control pins (HC0 and HC1) are disabled
HD	3	R/W	0	HPI data bus bit <ul style="list-style-type: none"> • HD = 0: Bus holders on HPI data bus (pins HD[7:0]) are enabled • HD = 1: Bus holders on HPI data bus (pins HD[7:0]) are disabled
PC	2	R/W	0	EMIF control signals <ul style="list-style-type: none"> • PC = 0: Bus holders and pullups on EMIF control pins are enabled • PC = 1: Bus holders and pullups on EMIF control pins are disabled
PD	1	R/W	0	EMIF data bus signals <ul style="list-style-type: none"> • PD = 0: Bus holders on EMIF data bus (pins D[31:0]) are enabled • PD = 1: Bus holders on EMIF data bus (pins D[31:0]) are disabled
PA	0	R/W	0	EMIF address bus signals <ul style="list-style-type: none"> • PA = 0: Bus holders on EMIF address bus (pins A[21:2]) are enabled • PA = 1: Bus holders on EMIF address bus (pins A[21:2]) are disabled

3.14 Internal Ports and System Registers

The 5502 includes three internal ports that interface the CPU core with the peripheral modules. Although these ports cannot be directly controlled by user code, the registers associated with each port can be used to monitor a number of error conditions that could be generated through illegal operation of the 5502. The port registers are described in the following sections.

The 5502 also includes two registers that can be used to monitor and control several aspects of the interface between the CPU and the system-level peripherals, these registers are also described in the following sections.

3.14.1 XPORT Interface

The XPORT interfaces the CPU core to all peripheral modules. The XPORT will generate bus errors for invalid accesses to any registers that fall under the ranges shown in Table 3-48. The INTERREN bit of the XPORT Configuration Register (XCR) controls the bus error feature of the XPORT. The INTERR bit of the XPORT Bus Error Register (XERR) is set to '1' when an error occurs during an access to a register listed in Table 3-48. The EBUS and DBUS bits can be used to distinguish whether the error occurred during a write or read access.

Table 3-48. I/O Addresses Under Scope of XPORT

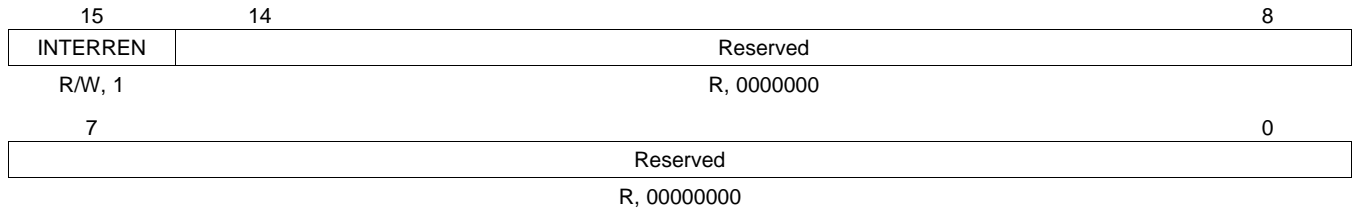
I/O ADDRESS RANGE
0x0000–0x03FF
0x1400–0x17FF
0x2000–0x23FF

The PERITO bit of the XERR is used to indicate that a CPU, DMA, or HPI access to a disabled/idled peripheral module has generated a time-out error. The time-out error feature is enabled through the PERITOEN bit of the Time-Out Control Register (TOCR). A time-out error is generated when 512 clock cycles pass without a response from the peripheral register.

The XPORT can be placed into idle by setting the XPORTI bit of the Idle Control Register (ICR) and executing the IDLE instruction. When the XPORT is in idle, it will stop accepting new peripheral module requests and it will also not check for internal I/O bus errors. If there is a request from the CPU core or a peripheral module, the XPORT will not respond and hang. The ICR register will generate a bus error if the XPORT is idled without the CPU or Master Port domains being in idle mode.

3.14.1.1 XPORT Configuration Register (XCR)

The XPORT Configuration Register bit layout is shown in Figure 3-44 and the bits are described in Table 3-49.



LEGEND: R = Read, W = Write, n = value at reset

Figure 3-44. XPORT Configuration Register Layout (0x0100)

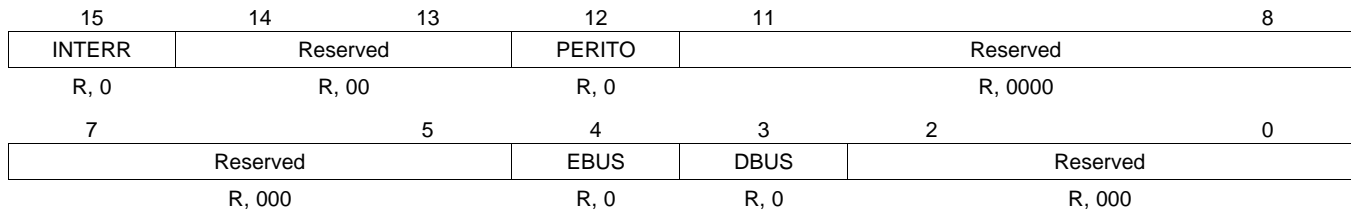
Table 3-49. XPORT Configuration Register Bit Field Description

BIT NAME	BIT NO.	ACCESS	RESET VALUE	DESCRIPTION
INTERREN	15	R/W	1	INTERREN bit <ul style="list-style-type: none"> • INTERREN = 0: The XPORT will not generate a bus error for invalid accesses to registers listed in Table 3-48. Note that any invalid accesses to these registers will hang the pipeline. • INTERREN = 1: The XPORT will generate a bus error for invalid accesses to registers listed in Table 3-48.⁽¹⁾ Note that when a bus error occurs, any data returned by the read instruction will not be valid.
Reserved	14-0	R	0000000000000000	Reserved

(1) This feature will not work if the XPORT is placed in idle through the ICR. However, a bus error will be generated if the XPORT is placed in idle without the CPU being in idle.

3.14.1.2 XPORT Bus Error Register (XERR)

The XPORT Bus Error Register bit layout is shown in Figure 3-45 and the bits are described in Table 3-50.



LEGEND: R = Read, W = Write, n = value at reset

Figure 3-45. XPORT Bus Error Register Layout (0x0102)

Table 3-50. XPORT Bus Error Register Bit Field Description

BIT NAME	BIT NO.	ACCESS	RESET VALUE	DESCRIPTION
INTERR	15	R	0	INTERR bit <ul style="list-style-type: none"> • INTERR = 0: No error • INTERR = 1: An error occurred during an access to one of the registers listed in Table 3-48.
Reserved	14–13	R	00	Reserved
PERITO	12	R	0	PERITO bit <ul style="list-style-type: none"> • PERITO = 0: No error • PERITO = 1: A time-out error occurred during an access to a peripheral register.
Reserved	11–5	R	0000000	Reserved
EBUS	4	R	0	EBUS error bit ⁽¹⁾ <ul style="list-style-type: none"> • EBUS = 0: No error • EBUS = 1: An error occurred during an EBUS access (write) to one of the registers listed in Table 3-48.
DBUS	3	R	0	DBUS error bit ⁽¹⁾ <ul style="list-style-type: none"> • DBUS = 0: No error • DBUS = 1: An error occurred during a DBUS access (read) to one of the registers listed in Table 3-48.
Reserved	2–0	R	000	Reserved

(1) See the *TMS320C55x DSP CPU Reference Guide* (literature number SPRU371) for more information on the D-bus and E-bus.

3.14.2 DPORT Interface

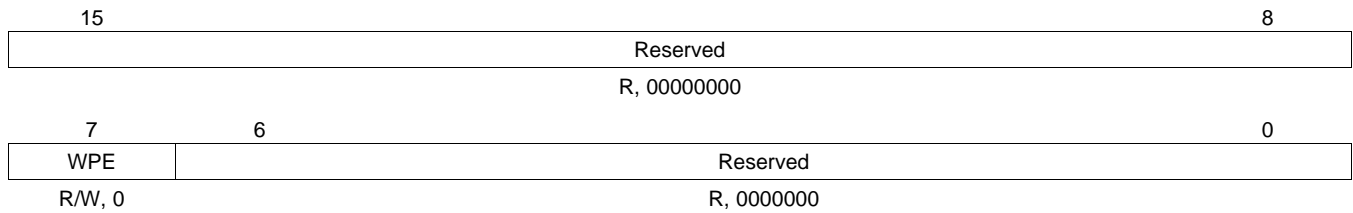
The DPORT interfaces the CPU to the EMIF module. The DPORT is capable of enabling write posting on the EMIF module. Write posting prevents stalls to the CPU during external memory writes. Two write posting registers, which are freely associated with E and F bus writes, exist within the DPORT and are used to store the write address and data so that writes can be zero wait state for the CPU. External memory writes will not generate stalls to the CPU unless the two write posting registers are filled. Write posting is enabled by setting the WPE bit of the DCR to 1.

The EMIFTO bit of the DERR is used to indicate that a CPU, DMA, HPI, or IPORT access to external memory has generated a time-out error. The time-out error feature is enabled through the EMIFTOEN bit of the Time-Out Control Register (TOCR). This function is not recommended during normal operation of the 5502.

The DPORT can be placed into idle through the EMIFI bit of the Idle Control Register (ICR) and executing the IDLE instruction. When the DPORT is in idle, it will stop accepting new EMIF requests. If there is a request from the CPU or the EMIF, the DPORT will not respond and hang. The ICR register will generate a bus error if the DPORT is idled without the CPU or Master Port domains being in idle.

3.14.2.1 DPORT Configuration Register (DCR)

The DPORT Configuration Register bit layout is shown in Figure 3-46 and the bits are described in Table 3-51.



LEGEND: R = Read, W = Write, n = value at reset

Figure 3-46. DPORT Configuration Register Layout (0x0200)

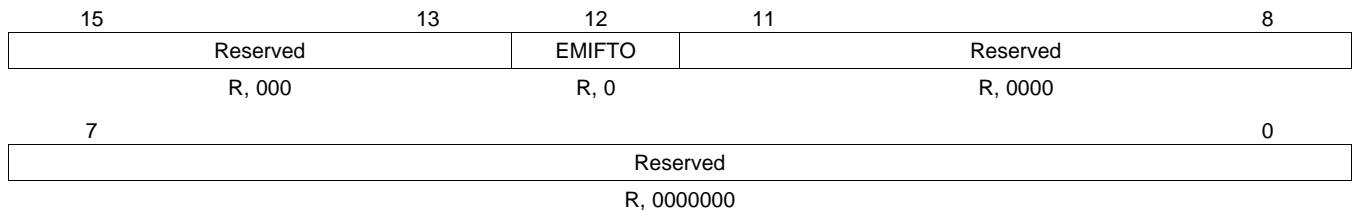
Table 3-51. DPORT Configuration Register Bit Field Description⁽¹⁾

BIT NAME	BIT NO.	ACCESS	RESET VALUE	DESCRIPTION
Reserved	15-8	R	00000000	Reserved
WPE	7	R/W	0	Write Posting Enable bit ⁽¹⁾ <ul style="list-style-type: none"> • WPE = 0: Write posting disabled • WPE = 1: Write posting enabled
Reserved	6-0	R	00000000	Reserved

(1) Write posting should not be enabled or disabled while the EMIF is conducting a transaction with external memory.

3.14.2.2 DPORT Bus Error Register (DERR)

The DPORT Bus Error Register bit layout is shown in Figure 3-47 and the bits are described in Table 3-52.



LEGEND: R = Read, W = Write, n = value at reset

Figure 3-47. DPORT Bus Error Register Layout (0x0202)

Table 3-52. DPORT Bus Error Register Bit Field Description

BIT NAME	BIT NO.	ACCESS	RESET VALUE	DESCRIPTION
Reserved	15-13	R	000	Reserved
EMIFTO	12	R	0	EMIFTO bit <ul style="list-style-type: none"> • EMIFTO = 0: No error • EMIFTO = 1: Error 1 error
Reserved	11-0	R	000000000000	Reserved

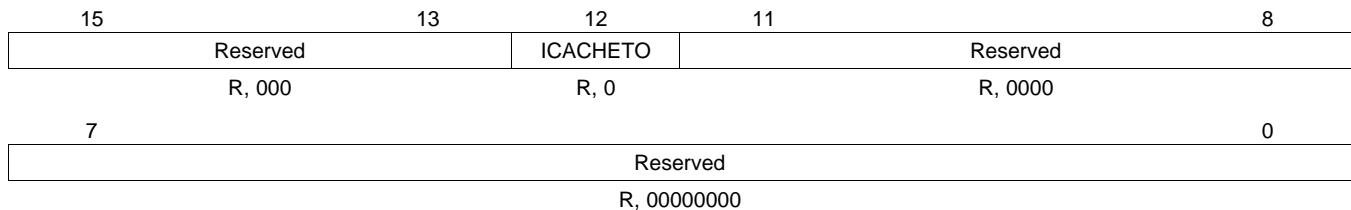
3.14.3 IPORT Interface

The IPORT interfaces the I-Cache to the EMIF module. The ICACHETO bit of the IPORT Bus Error Register (IERR) can be used to determine if a time-out error has occurred during an ICACHE access to external memory. The time-out feature is enabled through the EMIFTOEN bit of the Time-Out Control Register (TOCR).

The IPORT can be placed into idle through the IPORTI bit of the Idle Control Register (ICR) and executing the IDLE instruction. The IPORT will go into idle when there are no new requests from the ICACHE. When the IPORT is in idle, it will stop accepting new requests from the CPU, it is important that the program flow not use external memory in this case. If there are requests from the CPU, the IPORT will not respond and hang. The ICR register will generate a bus error if the IPORT is idled without the CPU domain being in idle.

3.14.3.1 IPORT Bus Error Register (IERR)

The IPORT Bus Error Register bit layout is shown in Figure 3-48 and the bits are described in Table 3-53.



LEGEND: R = Read, W = Write, n = value at reset

Figure 3-48. IPORT Bus Error Register Layout (0x0302)

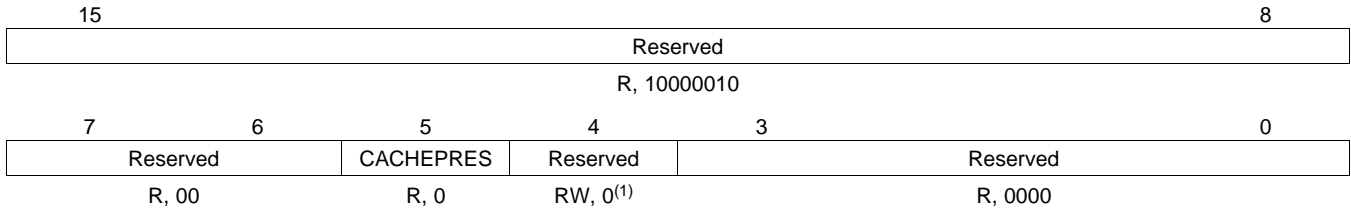
Table 3-53. IPORT Bus Error Register Bit Field Description

BIT NAME	BIT NO.	ACCESS	RESET VALUE	DESCRIPTION
Reserved	15-13	R	000	Reserved
ICACHETO	12	R	0	ICACHETO bit <ul style="list-style-type: none"> • ICACHETO = 0: No error • ICACHETO = 1: A time-out error occurred during an ICACHE access to external memory.
Reserved	11-0	R	000000000000	Reserved

3.14.4 System Configuration Register (CONFIG)

The System Configuration Register can be used to determine the operational state of the ICACHE. If the ICACHE is not functioning, the CACHEPRES bit of the CONFIG register will be cleared. If the ICACHE is functioning normally, this bit will be set.

The System Configuration Register bit layout is shown in Figure 3-49 and the bits are described in Table 3-54.



LEGEND: R = Read, W = Write, n = value at reset

(1) This Reserved bit *must* be kept as zero during any writes to CONFIG.

Figure 3-49. System Configuration Register Layout (0x07FD)

Table 3-54. System Configuration Register Bit Field Description

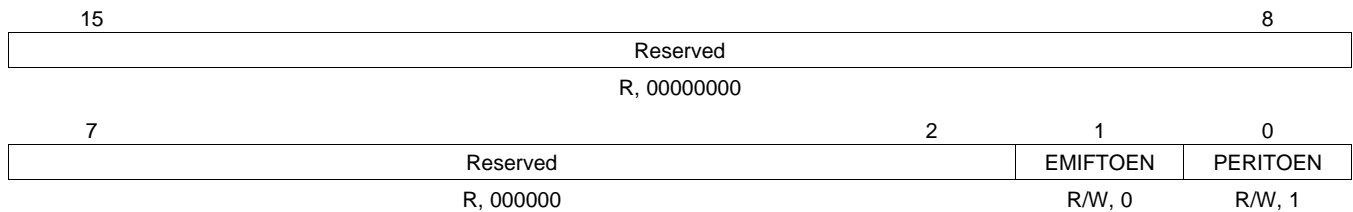
BIT NAME	BIT NO.	ACCESS	RESET VALUE	DESCRIPTION
Reserved	15-6	R	1000001000	Reserved
CACHEPRES	5	R	0	ICACHE present <ul style="list-style-type: none"> • CACHEPRES = 0: ICACHE is not functioning • CACHEPRES = 1: ICACHE is enabled and working
Reserved	4	R/W	0 ⁽¹⁾	Reserved
Reserved	3-0	R	0000	Reserved

(1) This Reserved bit *must* be kept as zero during any writes to CONFIG.

3.14.5 Time-Out Control Register (TOCR)

The Time-Out Control Register can be used to select whether or not a time-out error is generated when an access to a disabled/idled peripheral module occurs. If the CPU or DMA access a disabled/idle peripheral module and 512 CPU clock cycles pass without an acknowledgement from the peripheral module, then a time-out error will be sent to the corresponding module if bit 1 in the Time-Out Control Register is set. A time-out error will generate a CPU bus error that can be serviced through software by using the bus error interrupt (BERR) (see Section 3.17, Interrupts, for more information on interrupts). If the DMA gets a time-out error, it will set the TIMEOUT bit in the DMA Status Register (DMACSR) and generate a time-out error that can be serviced through software by the CPU [see the *TMS320VC5501/5502 DSP Direct Memory Access (DMA) Controller Reference Guide* (literature number SPRU613) for more information on using this feature of the DMA].

The Time-Out Control Register can also be used to select whether or not a time-out error is generated when a memory access through the EMIF module stalls for more than 512 CPU clock cycles. It is recommended that this feature not be used for it can cause unexpected results.



LEGEND: R = Read, W = Write, n = value at reset

Figure 3-50. Time-Out Control Register Layout (0x9000)

Table 3-55. Time-Out Control Register Bit Field Description

BIT NAME	BIT NO.	ACCESS	RESET VALUE	DESCRIPTION
Reserved	15-2	R	0000000000000000	Reserved
EMIFTOEN	1	R/W	0	EMIF time-out control bit <ul style="list-style-type: none"> • EMIFTOEN = 0: A time-out error is not generated when an EMIF access stalls for more than 512 CPU clock cycles. • EMIFTOEN = 1: A time-out error is generated when an EMIF access stalls for more than 512 CPU clock cycles.
PERITOEN	0	R/W	1	Peripheral module time-out control bit <ul style="list-style-type: none"> • PERITOEN = 0: A time-out error is not generated when a CPU access to a disabled/idle peripheral module stalls for more than 512 CPU clock cycles. • PERITOEN = 1: A time-out error is generated when a CPU access to a disabled/idle peripheral module stalls for more than 512 CPU clock cycles.

3.15 CPU Memory-Mapped Registers

The 5502 has 78 memory-mapped CPU registers that are mapped in data memory space address 0h to 4Fh. Table 3-56 provides a list of the CPU memory-mapped registers (MMRs) available. The corresponding TMS320C54x™ (C54x™) CPU registers are also indicated where applicable.

Table 3-56. CPU Memory-Mapped Registers

C54X REGISTER	C55X REGISTER	WORD ADDRESS (HEX)	C55x REGISTER DESCRIPTION	BIT FIELD
IER	IER0	00	Interrupt Enable Register 0	[15-0]
IFR	IFR0	01	Interrupt Flag Register 0	[15-0]
-	ST0_55	02	Status Register 0	[15-0]
-	ST1_55	03	Status Register 1	[15-0]
-	ST3_55	04	Status Register 3	[15-0]
-	-	05	Reserved	[15-0]
ST0	ST0	06	Status Register 0 (protected address for C54x code)	[15-0]
ST1	ST1	07	Status Register 1 (protected address for C54x code)	[15-0]
AL	AC0L	08	Accumulator 0	[15-0]
AH	AC0H	09		[31-16]
AG	AC0G	0A		[39-32]
BL	AC1L	0B	Accumulator 1	[15-0]
BH	AC1H	0C		[31-16]
BG	AC1G	0D		[39-32]
TREG	T3	0E	Temporary Register 3	[15-0]
TRN	TRN0	0F	Transition Register 0	[15-0]
AR0	AR0	10	Auxiliary Register 0	[15-0]
AR1	AR1	11	Auxiliary Register 1	[15-0]
AR2	AR2	12	Auxiliary Register 2	[15-0]
AR3	AR3	13	Auxiliary Register 3	[15-0]
AR4	AR4	14	Auxiliary Register 4	[15-0]
AR5	AR5	15	Auxiliary Register 5	[15-0]
AR6	AR6	16	Auxiliary Register 6	[15-0]
AR7	AR7	17	Auxiliary Register 7	[15-0]
SP	SP	18	Data Stack Pointer	[15-0]
BK	BK03	19	Circular Buffer Size Register for AR[0-3]	[15-0]
BRC	BRC0	1A	Block Repeat Counter 0	[15-0]
RSA	RSA0L	1B	Low Part of Block Repeat Start Address Register 0	[15-0]
REA	REA0L	1C	Low Part of Block Repeat End Address Register 0	[15-0]
PMST	PMST	1D	Status Register 3 (protected address for C54x code)	[15-0]
XPC	XPC	1E	Program Counter Extension Register for C54x code	[7-0]
-	-	1F	Reserved	[15-0]
-	T0	20	Temporary Register 0	[15-0]
-	T1	21	Temporary Register 1	[15-0]
-	T2	22	Temporary Register 2	[15-0]
-	T3	23	Temporary Register 3	[15-0]
-	AC2L	24	Accumulator 2	[15-0]
-	AC2H	25		[31-16]
-	AC2G	26		[39-32]
-	CDP	27	Coefficient Data Pointer	[15-0]

Table 3-56. CPU Memory-Mapped Registers (continued)

C54X REGISTER	C55X REGISTER	WORD ADDRESS (HEX)	C55x REGISTER DESCRIPTION	BIT FIELD
-	AC3L	28	Accumulator 3	[15-0]
-	AC3H	29		[31-16]
-	AC3G	2A		[39-32]
-	DPH	2B	High Part of the Extended Data Page Register (XDP = DPH:DP)	[6-0]
-	-	2C	Reserved	[6-0]
-	-	2D	Reserved	[6-0]
-	DP	2E	Data Page Register	[15-0]
-	PDP	2F	Peripheral Data Page Register	[8-0]
-	BK47	30	Circular Buffer Size Register for AR[4-7]	[15-0]
-	BKC	31	Circular Buffer Size Register for CDP	[15-0]
-	BSA01	32	Circular Buffer Start Address Register for AR[0-1]	[15-0]
-	BSA23	33	Circular Buffer Start Address Register for AR[2-3]	[15-0]
-	BSA45	34	Circular Buffer Start Address Register for AR[4-5]	[15-0]
-	BSA67	35	Circular Buffer Start Address Register for AR[6-7]	[15-0]
-	BSAC	36	Circular Buffer Start Address Register for CDP	[15-0]
-	BIOS	37	Data Page Pointer Storage Location for 128-word Data Table	[15-0]
-	TRN1	38	Transition Register 1	[15-0]
-	BRC1	39	Block Repeat Counter 1	[15-0]
-	BRS1	3A	BRC1 Save Register	[15-0]
-	CSR	3B	Computed Single Repeat Register	[15-0]
-	RSA0H	3C	Block Repeat Start Address Register 0	[23-16]
-	RSA0L	3D		[15-0]
-	REA0H	3E	Block Repeat End Address Register 0	[23-16]
-	REA0L	3F		[15-0]
-	RSA1H	40	Block Repeat Start Address Register 1	[23-16]
-	RSA1L	41		[15-0]
-	REA1H	42	Block Repeat End Address Register 1	[23-16]
-	REA1L	43		[15-0]
-	RPTC	44	Single Repeat Counter	[15-0]
-	IER1	45	Interrupt Enable Register 1	[15-0]
-	IFR1	46	Interrupt Flag Register 1	[15-0]
-	DBIER0	47	Debug Interrupt Enable Register 0	[15-0]
-	DBIER1	48	Debug Interrupt Enable Register 0	[15-0]
-	IVPD	49	Interrupt Vector Pointer	[15-0]
-	IVPH	4A	Interrupt Vector Pointer	[15-0]
-	ST2_55	4B	Status Register 2	[15-0]
-	SSP	4C	System Stack Pointer	[15-0]
-	SP	4D	Data Stack Pointer	[15-0]
-	SPH	4E	High Part of the Extended Stack Pointers (XSP = SPH:SP, XSSP = SPH:SSP)	[6-0]
-	CDPH	4F	High Part of the Extended Coefficient Data Pointer (XCDP = CDPH:CDP)	[6-0]

3.16 Peripheral Registers

Each 5502 device has a set of peripheral memory-mapped registers as listed in Table 3-57 through Table 3-76. Peripheral registers are accessed using the port qualifier. For more information on the use of the port qualifier, see the *TMS320C55x Assembly Language Tools User's Guide* (literature number SPRU280). Some registers use less than 16 bits. When reading these registers, unused bits are always read as 0.

The user guides for each peripheral contain detailed information on the operation and the functions of each of the peripheral registers (see Section 4.2, Documentation Support, for a list of documents supporting each peripheral).

Table 3-57. Peripheral Bus Controller Configuration Registers

WORD ADDRESS	REGISTER NAME	DESCRIPTION	RESET VALUE ⁽¹⁾
0x0000	Reserved		
0x0001	ICR	Idle Configuration Register	0000 0000 0000 0000
0x0002	ISTR	Idle Status Register	0000 0000 0000 0000
0x0003 to 0x000E	Reserved		
0x000F	BOOT_MOD	Boot Mode Register (read only)	Value of GPIO[2:0] at reset
0x0010	Reserved		
0x0011	Reserved		
0x0100	XCR	XPORT Configuration Register	1000 0000 0000 0000
0x0102	XERR	XPORT Bus Error Register	0000 0000 0000 0000
0x0200	DCR	DPORT Configuration Register	0000 0000 0000 0000
0x0202	DERR	DPORT Bus Error Register	0000 0000 0000 0000
0x0302	IERR	IPORT Bus Error Register	0000 0000 0000 0000
0x07FD	CONFIG	System Configuration Register	1000 0010 0000 0000
0x9000	TOCR	Time-Out Control Register	0000 0000 0000 0001

(1) x denotes a "don't care."

Table 3-58. External Memory Interface Registers

WORD ADDRESS	REGISTER NAME	DESCRIPTION	RESET VALUE ⁽¹⁾
0x0800	EGCR1	EMIF Global Control Register 1	0010 0111 0111 1100
0x0801	EGCR2	EMIF Global Control Register 2	0000 0000 0000 1001
0x0802	CE1_1	EMIF CE1 Space Control Register 1	1111 1111 0001 1111
0x0803	CE1_2	EMIF CE1 Space Control Register 2	1111 1111 1111 1111
0x0804	CE0_1	EMIF CE0 Space Control Register 1	1111 1111 0000 0011
0x0805	CE0_2	EMIF CE0 Space Control Register 2	1111 1111 1111 1111
0x0806		Reserved	
0x0807		Reserved	
0x0808	CE2_1	EMIF CE2 Space Control Register 1	1111 1111 1111 0011
0x0809	CE2_2	EMIF CE2 Space Control Register 2	1111 1111 1111 1111
0x080A	CE3_1	EMIF CE3 Space Control Register 1	1111 1111 1111 0011
0x080B	CE3_2	EMIF CE3 Space Control Register 2	1111 1111 1111 1111
0x080C	SDC1	EMIF SDRAM Control Register 1	1111 0000 0000 0000
0x080D	SDC2	EMIF SDRAM Control Register 2	0000 0011 0100 1000

(1) x denotes a "don't care."

Table 3-58. External Memory Interface Registers (continued)

WORD ADDRESS	REGISTER NAME	DESCRIPTION	RESET VALUE ⁽¹⁾
0x080E	SDRC1	EMIF SDRAM Refresh Control Register 1	1100 0101 1101 1100
0x080F	SDRC2	EMIF SDRAM Refresh Control Register 2	0000 0000 0101 1101
0x0810	SDX1	EMIF SDRAM Extension Register 1	0101 1111 1101 1111
0x0811	SDX2	EMIF SDRAM Extension Register 2	0000 0000 0001 0111
0x0812		Reserved	
:		:	
0x0821		Reserved	
0x0822	CE1_SC1	EMIF CE1 Secondary Control Register 1	0000 0000 0000 0010
0x0823	CE1_SC2	EMIF CE1 Secondary Control Register 2	0000 0000 0000 0000
0x0824	CE0_SC1	EMIF CE0 Secondary Control Register 1	0000 0000 0000 0010
0x0825	CE0_SC2	EMIF CE0 Secondary Control Register 2	0000 0000 0000 0000
0x0826		Reserved	
0x0827		Reserved	
0x0828	CE2_SC1	EMIF CE2 Secondary Control Register 1	0000 0000 0000 0010
0x0829	CE2_SC2	EMIF CE2 Secondary Control Register 2	0000 0000 0000 0000
0x082A	CE3_SC1	EMIF CE3 Secondary Control Register 1	0000 0000 0000 0010
0x082B	CE3_SC2	EMIF CE3 Secondary Control Register 2	0000 0000 0000 0000
0x082C		Reserved	
:		:	
0x0839		Reserved	
0x0840	CESCR1	EMIF CE Size Control Register 1	0000 0000 0000 0000
0x0841	CESCR2	EMIF CE Size Control Register 2	0000 0000 0000 0000

Table 3-59. DMA Configuration Registers

WORD ADDRESS	REGISTER NAME	DESCRIPTION	RESET VALUE
GLOBAL REGISTER			
0x0E00	DMA_GCR(2:0)	DMA Global Control Register	000
0x0E01	DMA_GTCR(3:0)	DMA Global Timeout Control Register	0000
CHANNEL #0 REGISTERS			
0x0C00	DMA_CSDP0	DMA Channel 0 Source Destination Parameters Register	0000 0000 0000 0000
0x0C01	DMA_CCR0(15:0)	DMA Channel 0 Control Register	0000 0000 0000 0000
0x0C02	DMA_CICR0(5:0)	DMA Channel 0 Interrupt Control register	0000 0001 1000 0011
0x0C03	DMA_CSR0(6:0)	DMA Channel 0 Status register	00 0000
0x0C04	DMA_CSSA_L0	DMA Channel 0 Source Start Address, lower bits, register	Undefined
0x0C05	DMA_CSSA_U0	DMA Channel 0 Source Start Address, upper bits, register	Undefined
0x0C06	DMA_CDSA_L0	DMA Channel 0 Source Destination Address, lower bits, register	Undefined
0x0C07	DMA_CDSA_U0	DMA Channel 0 Source Destination Address, upper bits, register	Undefined
0x0C08	DMA_CEN0	DMA Channel 0 Element Number register	Undefined
0x0C09	DMA_CFN0	DMA Channel 0 Frame Number register	Undefined
0x0C0A	DMA_CSFI0	DMA Channel 0 Source Frame Index register	Undefined
0x0C0B	DMA_CSEI0	DMA Channel 0 Source Element Index register	Undefined
0x0C0C	DMA_CSAC0	DMA Channel 0 Source Address Counter register	Undefined
0x0C0D	DMA_CDAC0	DMA Channel 0 Destination Address Counter register	Undefined
0x0C0E	DMA_CDEI0	DMA Channel 0 Destination Element Index register	Undefined
0x0C0F	DMA_CDFI0	DMA Channel 0 Destination Frame Index register	Undefined
CHANNEL #1 REGISTERS			
0x0C20	DMA_CSDP1	DMA Channel 1 Source Destination Parameters Register	0000 0000 0000 0000
0x0C21	DMA_CCR1(15:0)	DMA Channel 1 Control Register	0000 0000 0000 0000
0x0C22	DMA_CICR1(5:0)	DMA Channel 1 Interrupt Control register	0000 0001 1000 0011
0x0C23	DMA_CSR1(6:0)	DMA Channel 1 Status register	00 0000
0x0C24	DMA_CSSA_L1	DMA Channel 1 Source Start Address, lower bits, register	Undefined
0x0C25	DMA_CSSA_U1	DMA Channel 1 Source Start Address, upper bits, register	Undefined
0x0C26	DMA_CDSA_L1	DMA Channel 1 Source Destination Address, lower bits, register	Undefined
0x0C27	DMA_CDSA_U1	DMA Channel 1 Source Destination Address, upper bits, register	Undefined
0x0C28	DMA_CEN1	DMA Channel 1 Element Number register	Undefined
0x0C29	DMA_CFN1	DMA Channel 1 Frame Number register	Undefined
0x0C2A	DMA_CSFI1	DMA Channel 1 Source Frame Index register	Undefined
0x0C2B	DMA_CSEI1	DMA Channel 1 Source Element Index register	Undefined
0x0C2C	DMA_CSAC1	DMA Channel 1 Source Address Counter register	Undefined
0x0C2D	DMA_CDAC1	DMA Channel 1 Destination Address Counter register	Undefined
0x0C2E	DMA_CDEI1	DMA Channel 1 Destination Element Index register	Undefined
0x0C2F	DMA_CDFI1	DMA Channel 1 Destination Frame Index register	Undefined
CHANNEL #2 REGISTERS			
0x0C40	DMA_CSDP2	DMA Channel 2 Source Destination Parameters Register	0000 0000 0000 0000

Table 3-59. DMA Configuration Registers (continued)

WORD ADDRESS	REGISTER NAME	DESCRIPTION	RESET VALUE
0x0C41	DMA_CCR2(15:0)	DMA Channel 2 Control Register	0000 0000 0000 0000
0x0C42	DMA_CICR2(5:0)	DMA Channel 2 Interrupt Control register	0000 0001 1000 0011
0x0C43	DMA_CSR2(6:0)	DMA Channel 2 Status register	00 0000
0x0C44	DMA_CSSA_L2	DMA Channel 2 Source Start Address, lower bits, register	Undefined
0x0C45	DMA_CSSA_U2	DMA Channel 2 Source Start Address, upper bits, register	Undefined
0x0C46	DMA_CDSA_L2	DMA Channel 2 Source Destination Address, lower bits, register	Undefined
0x0C47	DMA_CDSA_U2	DMA Channel 2 Source Destination Address, upper bits, register	Undefined
0x0C48	DMA_CEN2	DMA Channel 2 Element Number register	Undefined
0x0C49	DMA_CFN2	DMA Channel 2 Frame Number register	Undefined
0x0C4A	DMA_CSFI2	DMA Channel 2 Source Frame Index register	Undefined
0x0C4B	DMA_CSEI2	DMA Channel 2 Source Element Index register	Undefined
0x0C4C	DMA_CSAC2	DMA Channel 2 Source Address Counter register	Undefined
0x0C4D	DMA_CDAC2	DMA Channel 2 Destination Address Counter register	Undefined
0x0C4E	DMA_CDEI2	DMA Channel 2 Destination Element Index register	Undefined
0x0C4F	DMA_CDFI2	DMA Channel 2 Destination Frame Index register	Undefined
CHANNEL #3 REGISTERS			
0x0C60	DMA_CSDP3	DMA Channel 3 Source Destination Parameters Register	0000 0000 0000 0000
0x0C61	DMA_CCR3(15:0)	DMA Channel 3 Control Register	0000 0000 0000 0000
0x0C62	DMA_CICR3(5:0)	DMA Channel 3 Interrupt Control register	0000 0001 1000 0011
0x0C63	DMA_CSR3(6:0)	DMA Channel 3 Status register	00 0000
0x0C64	DMA_CSSA_L3	DMA Channel 3 Source Start Address, lower bits, register	Undefined
0x0C65	DMA_CSSA_U3	DMA Channel 3 Source Start Address, upper bits, register	Undefined
0x0C66	DMA_CDSA_L3	DMA Channel 3 Source Destination Address, lower bits, register	Undefined
0x0C67	DMA_CDSA_U3	DMA Channel 3 Source Destination Address, upper bits, register	Undefined
0x0C68	DMA_CEN3	DMA Channel 3 Element Number register	Undefined
0x0C69	DMA_CFN3	DMA Channel 3 Frame Number register	Undefined
0x0C6A	DMA_CSFI3	DMA Channel 3 Source Frame Index register	Undefined
0x0C6B	DMA_CSEI3	DMA Channel 3 Source Element Index register	Undefined
0x0C6C	DMA_CSAC3	DMA Channel 3 Source Address Counter register	Undefined
0x0C6D	DMA_CDAC3	DMA Channel 3 Destination Address Counter register	Undefined
0x0C6E	DMA_CDEI3	DMA Channel 3 Destination Element Index register	Undefined
0x0C6F	DMA_CDFI3	DMA Channel 3 Destination Frame Index register	Undefined
CHANNEL #4 REGISTERS			
0x0C80	DMA_CSDP4	DMA Channel 4 Source Destination Parameters Register	0000 0000 0000 0000
0x0C81	DMA_CCR4(15:0)	DMA Channel 4 Control Register	0000 0000 0000 0000
0x0C82	DMA_CICR4(5:0)	DMA Channel 4 Interrupt Control register	0000 0001 1000 0011
0x0C83	DMA_CSR4(6:0)	DMA Channel 4 Status register	00 0000
0x0C84	DMA_CSSA_L4	DMA Channel 4 Source Start Address, lower bits, register	Undefined
0x0C85	DMA_CSSA_U4	DMA Channel 4 Source Start Address, upper bits, register	Undefined

Table 3-59. DMA Configuration Registers (continued)

WORD ADDRESS	REGISTER NAME	DESCRIPTION	RESET VALUE
0x0C86	DMA_CDSA_L4	DMA Channel 4 Source Destination Address, lower bits, register	Undefined
0x0C87	DMA_CDSA_U4	DMA Channel 4 Source Destination Address, upper bits, register	Undefined
0x0C88	DMA_CEN4	DMA Channel 4 Element Number register	Undefined
0x0C89	DMA_CFN4	DMA Channel 4 Frame Number register	Undefined
0x0C8A	DMA_CSFI4	DMA Channel 4 Source Frame Index register	Undefined
0x0C8B	DMA_CSEI4	DMA Channel 4 Source Element Index register	Undefined
0x0C8C	DMA_CSAC4	DMA Channel 4 Source Address Counter register	Undefined
0x0C8D	DMA_CDAC4	DMA Channel 4 destination Address Counter register	Undefined
0x0C8E	DMA_CDEI4	DMA Channel 4 Destination Element Index register	Undefined
0x0C8F	DMA_CDFI4	DMA Channel 4 Destination Frame Index register	Undefined
CHANNEL #5 REGISTERS			
0x0CA0	DMA_CSDP5	DMA Channel 5 Source Destination Parameters Register	0000 0000 0000 0000
0x0CA1	DMA_CCR5(15:0)	DMA Channel 5 Control Register	0000 0000 0000 0000
0x0CA2	DMA_CICR5(5:0)	DMA Channel 5 Interrupt Control register	0000 0001 1000 0011
0x0CA3	DMA_CSR5(6:0)	DMA Channel 5 Status register	00 0000
0x0CA4	DMA_CSSA_L5	DMA Channel 5 Source Start Address, lower bits, register	Undefined
0x0CA5	DMA_CSSA_U5	DMA Channel 5 Source Start Address, upper bits, register	Undefined
0x0CA6	DMA_CDSA_L5	DMA Channel 5 Source Destination Address, lower bits, register	Undefined
0x0CA7	DMA_CDSA_U5	DMA Channel 5 Source Destination Address, upper bits, register	Undefined
0x0CA8	DMA_CEN5	DMA Channel 5 Element Number register	Undefined
0x0CA9	DMA_CFN5	DMA Channel 5 Frame Number register	Undefined
0x0CAA	DMA_CSFI5	DMA Channel 5 Source Frame Index register	Undefined
0x0CAB	DMA_CSEI5	DMA Channel 5 Source Element Index register	Undefined
0x0CAC	DMA_CSAC5	DMA Channel 5 Source Address Counter register	Undefined
0x0CAD	DMA_CDAC5	DMA Channel 5 Destination Address Counter register	Undefined
0x0CAE	DMA_CDEI5	DMA Channel 5 Destination Element Index register	Undefined
0x0CAF	DMA_CDFI5	DMA Channel 5 Destination Frame Index register	Undefined

Table 3-60. Instruction Cache Registers

WORD ADDRESS	REGISTER NAME	DESCRIPTION
0x1400	ICGC	ICache Global Control Register
0x1401	ICFLARL	ICache Flush Line Address Register Low Part
0x1402	ICFLARH	ICache Flush Line Address Register High Part
0x1403	ICWMC	ICache N-Way Control Register

Table 3-61. Trace FIFO⁽¹⁾

WORD ADDRESS	REGISTER NAME	DESCRIPTION
0x2000 - 0x203F	TRC00 - TRC63	Trace Register Discontinuity Section
0x2040 - 0x204F	TRC64 - TRC79	Trace Register Last PC Section
0x2050	TRC_LPCOFFSET1	Trace LPC Offset Register 1
0x2051	TRC_LPCOFFSET2	Trace LPC Offset Register 2
0x2052	TRC_PTR	Trace Pointer Register
0x2053	TRC_CNTL	Trace Control Register
0x2054	TRC_ID	Trace ID Register

(1) The Trace FIFO registers are used by the emulator only and do not require any intervention from the user.

Table 3-62. Timer Signal Selection Register

WORD ADDRESS	REGISTER NAME	DESCRIPTION	RESET VALUE
0x8000	TSSR	Timer Signal Selection Register	0000 0000 0000 0000

Table 3-63. Timers

WORD ADDRESS	REGISTER NAME	DESCRIPTION	RESET VALUE
0x1000	GPTPID1_0	Peripheral ID register 1, Timer #0	0000 0111 0000 0001
0x1001	GPTPID2_0	Peripheral ID register 2, Timer #0	0000 0000 0000 0001
0x1002	GPTEMU_0	Emulation Management Register, Timer #0	0000 0000 0000 0000
0x1003	GPTCLK_0	Timer Clock Speed Register, Timer #0	0000 0000 0000 0000
0x1004	GPTGPINT_0	GPIO Interrupt Control Register, Timer #0	0000 0000 0000 0000
0x1005	GPTGPEN_0	GPIO Enable Register, Timer #0	0000 0000 0000 0000
0x1006	GPTGPDAT_0	GPIO Data Register, Timer #0	0000 0000 0000 0000
0x1007	GPTGPDIR_0	GPIO Direction Register, Timer #0	0000 0000 0000 0000
0x1008	GPTCNT1_0	Timer Counter 1 Register, Timer #0	0000 0000 0000 0000
0x1009	GPTCNT2_0	Timer Counter 2 Register, Timer #0	0000 0000 0000 0000
0x100A	GPTCNT3_0	Timer Counter 3 Register, Timer #0	0000 0000 0000 0000
0x100B	GPTCNT4_0	Timer Counter 4 Register, Timer #0	0000 0000 0000 0000
0x100C	GTPRD1_0	Period Register 1, Timer #0	0000 0000 0000 0000
0x100D	GTPRD2_0	Period Register 2, Timer #0	0000 0000 0000 0000
0x100E	GTPRD3_0	Period Register 3, Timer #0	0000 0000 0000 0000
0x100F	GTPRD4_0	Period Register 4, Timer #0	0000 0000 0000 0000
0x1010	GPTCTL1_0	Timer Control Register 1, Timer #0	0000 0000 0000 0000
0x1011	GPTCTL2_0	Timer Control Register 2, Timer #0	0000 0000 0000 0000

Table 3-63. Timers (continued)

WORD ADDRESS	REGISTER NAME	DESCRIPTION	RESET VALUE
0x1012	GPTGCTL1_0	Global Timer Control Register 1, Timer #0	0000 0000 0000 0000
0x2400	GPTPID1_1	Peripheral ID register 1, Timer #1	0000 0111 0000 0001
0x2401	GPTPID2_1	Peripheral ID register 2, Timer #1	0000 0000 0000 0001
0x2402	GPTEMU_1	Emulation Management Register, Timer #1	0000 0000 0000 0000
0x2403	GPTCLK_1	Timer Clock Speed Register, Timer #1	0000 0000 0000 0000
0x2404	GPTGPINT_1	GPIO Interrupt Control Register, Timer #1	0000 0000 0000 0000
0x2405	GPTGPEN_1	GPIO Enable Register, Timer #1	0000 0000 0000 0000
0x2406	GPTGPDAT_1	GPIO Data Register, Timer #1	0000 0000 0000 0000
0x2407	GPTGPDIR_1	GPIO Direction Register, Timer #1	0000 0000 0000 0000
0x2408	GPTCNT1_1	Timer Counter 1 Register, Timer #1	0000 0000 0000 0000
0x2409	GPTCNT2_1	Timer Counter 2 Register, Timer #1	0000 0000 0000 0000
0x240A	GPTCNT3_1	Timer Counter 3 Register, Timer #1	0000 0000 0000 0000
0x240B	GPTCNT4_1	Timer Counter 4 Register, Timer #1	0000 0000 0000 0000
0x240C	GTPRD1_1	Period Register 1, Timer #1	0000 0000 0000 0000
0x240D	GTPRD2_1	Period Register 2, Timer #1	0000 0000 0000 0000
0x240E	GTPRD3_1	Period Register 3, Timer #1	0000 0000 0000 0000
0x240F	GTPRD4_1	Period Register 4, Timer #1	0000 0000 0000 0000
0x2410	GPTCTL1_1	Timer Control Register 1, Timer #1	0000 0000 0000 0000
0x2411	GPTCTL2_1	Timer Control Register 2, Timer #1	0000 0000 0000 0000
0x2412	GPTGCTL1_1	Global Timer Control Register 1, Timer #1	0000 0000 0000 0000
0x4000	WDTPID1	Peripheral ID register 1, Watchdog Timer	0000 0111 0000 0001
0x4001	WDTPID2	Peripheral ID register 2, Watchdog Timer	0000 0000 0000 0001
0x4002	WDEMU	Emulation Management Register, Watchdog Timer	0000 0000 0000 0000
0x4003	WDTCLK	Timer Clock Speed Register, Watchdog Timer	0000 0000 0000 0000
0x4004	WDTGPINT	GPIO Interrupt Control Register, Watchdog Timer	0000 0000 0000 0000
0x4005	WDTGPEN	GPIO Enable Register, Watchdog Timer	0000 0000 0000 0000
0x4006	WDTGPDAT	GPIO Data Register, Watchdog Timer	0000 0000 0000 0000
0x4007	WDTGPDIR	GPIO Direction Register, Watchdog Timer	0000 0000 0000 0000
0x4008	WDTCNT1	Timer Counter 1 Register, Watchdog Timer	0000 0000 0000 0000
0x4009	WDTCNT2	Timer Counter 2 Register, Watchdog Timer	0000 0000 0000 0000
0x400A	WDTCNT3	Timer Counter 3 Register, Watchdog Timer	0000 0000 0000 0000
0x400B	WDTCNT4	Timer Counter 4 Register, Watchdog Timer	0000 0000 0000 0000
0x400C	WDTPRD1	Period Register 1, Watchdog Timer	0000 0000 0000 0000
0x400D	WDTPRD2	Period Register 2, Watchdog Timer	0000 0000 0000 0000
0x400E	WDTPRD3	Period Register 3, Watchdog Timer	0000 0000 0000 0000
0x400F	WDTPRD4	Period Register 4, Watchdog Timer	0000 0000 0000 0000
0x4010	WDTCTL1	Timer Control Register 1, Watchdog Timer	0000 0000 0000 0000
0x4011	WDTCTL2	Timer Control Register 2, Watchdog Timer	0000 0000 0000 0000
0x4012	WDTGCTL1	Global Timer Control Register 1, Watchdog Timer	0000 0000 0000 0000
0x4014	WDTWCTL1	WD Timer Control Register 1, Watchdog Timer	0000 0000 0000 0000
0x4015	WDTWCTL2	WD Timer Control Register 2, Watchdog Timer	0000 0000 0000 0000

Table 3-64. Multichannel Serial Port #0

WORD ADDRESS	REGISTER NAME	DESCRIPTION	RESET VALUE
0x2800	DRR1_0	Data Receive Register 1, McBSP #0	0000 0000 0000 0000
0x2801	DRR2_0	Data Receive Register 2, McBSP #0	0000 0000 0000 0000
0x2802	DXR1_0	Data Transmit Register 1, McBSP #0	0000 0000 0000 0000
0x2803	DXR2_0	Data Transmit Register 2, McBSP #0	0000 0000 0000 0000
0x2804	SPCR1_0	Serial Port Control Register 1, McBSP #0	0000 0000 0000 0000
0x2805	SPCR2_0	Serial Port Control Register 2, McBSP #0	0000 0000 0000 0000
0x2806	RCR1_0	Receive Control Register 1, McBSP #0	0000 0000 0000 0000
0x2807	RCR2_0	Receive Control Register 2, McBSP #0	0000 0000 0000 0000
0x2808	XCR1_0	Transmit Control Register 1, McBSP #0	0000 0000 0000 0000
0x2809	XCR2_0	Transmit Control Register 2, McBSP #0	0000 0000 0000 0000
0x280A	SRGR1_0	Sample Rate Generator Register 1, McBSP #0	0000 0000 0000 0001
0x280B	SRGR2_0	Sample Rate Generator Register 2, McBSP #0	0010 0000 0000 0000
0x280C	MCR1_0	Multichannel Control Register 1, McBSP #0	0000 0000 0000 0000
0x280D	MCR2_0	Multichannel Control Register 2, McBSP #0	0000 0000 0000 0000
0x280E	RCERA_0	Receive Channel Enable Register Partition A, McBSP #0	0000 0000 0000 0000
0x280F	RCERB_0	Receive Channel Enable Register Partition B, McBSP #0	0000 0000 0000 0000
0x2810	XCERA_0	Transmit Channel Enable Register Partition A, McBSP #0	0000 0000 0000 0000
0x2811	XCERB_0	Transmit Channel Enable Register Partition B, McBSP #0	0000 0000 0000 0000
0x2812	PCR0	Pin Control Register, McBSP #0	0000 0000 0000 0000
0x2813		Reserved	
0x2814	RCERC_0	Receive Channel Enable Register Partition C, McBSP #0	0000 0000 0000 0000
0x2815	RCERD_0	Receive Channel Enable Register Partition D, McBSP #0	0000 0000 0000 0000
0x2816	XCERC_0	Transmit Channel Enable Register Partition C, McBSP #0	0000 0000 0000 0000
0x2817	XCERD_0	Transmit Channel Enable Register Partition D, McBSP #0	0000 0000 0000 0000
0x2818	RCERE_0	Receive Channel Enable Register Partition E, McBSP #0	0000 0000 0000 0000
0x2819	RCERF_0	Receive Channel Enable Register Partition F, McBSP #0	0000 0000 0000 0000
0x281A	XCERE_0	Transmit Channel Enable Register Partition E, McBSP #0	0000 0000 0000 0000
0x281B	XCERF_0	Transmit Channel Enable Register Partition F, McBSP #0	0000 0000 0000 0000
0x281C	RCERG_0	Receive Channel Enable Register Partition G, McBSP #0	0000 0000 0000 0000
0x281D	RCERH_0	Receive Channel Enable Register Partition H, McBSP #0	0000 0000 0000 0000
0x281E	XCERG_0	Transmit Channel Enable Register Partition G, McBSP #0	0000 0000 0000 0000
0x281F	XCERH_0	Transmit Channel Enable Register Partition H, McBSP #0	0000 0000 0000 0000

Table 3-65. Multichannel Serial Port #1

WORD ADDRESS	REGISTER NAME	DESCRIPTION	RESET VALUE
0x2C00	DRR1_1	Data Receive Register 1, McBSP #1	0000 0000 0000 0000
0x2C01	DRR2_1	Data Receive Register 2, McBSP #1	0000 0000 0000 0000
0x2C02	DXR1_1	Data Transmit Register 1, McBSP #1	0000 0000 0000 0000
0x2C03	DXR2_1	Data Transmit Register 2, McBSP #1	0000 0000 0000 0000
0x2C04	SPCR1_1	Serial Port Control Register 1, McBSP #1	0000 0000 0000 0000
0x2C05	SPCR2_1	Serial Port Control Register 2, McBSP #1	0000 0000 0000 0000
0x2C06	RCR1_1	Receive Control Register 1, McBSP #1	0000 0000 0000 0000
0x2C07	RCR2_1	Receive Control Register 2, McBSP #1	0000 0000 0000 0000
0x2C08	XCR1_1	Transmit Control Register 1, McBSP #1	0000 0000 0000 0000
0x2C09	XCR2_1	Transmit Control Register 2, McBSP #1	0000 0000 0000 0000
0x2C0A	SRGR1_1	Sample Rate Generator Register 1, McBSP #1	0000 0000 0000 0001
0x2C0B	SRGR2_1	Sample Rate Generator Register 2, McBSP #1	0010 0000 0000 0000
0x2C0C	MCR1_1	Multichannel Control Register 1, McBSP #1	0000 0000 0000 0000
0x2C0D	MCR2_1	Multichannel Control Register 2, McBSP #1	0000 0000 0000 0000
0x2C0E	RCERA_1	Receive Channel Enable Register Partition A, McBSP #1	0000 0000 0000 0000
0x2C0F	RCERB_1	Receive Channel Enable Register Partition B, McBSP #1	0000 0000 0000 0000
0x2C10	XCERA_1	Transmit Channel Enable Register Partition A, McBSP #1	0000 0000 0000 0000
0x2C11	XCERB_1	Transmit Channel Enable Register Partition B, McBSP #1	0000 0000 0000 0000
0x2C12	PCR1	Pin Control Register, McBSP #1	0000 0000 0000 0000
0x2C13		Reserved	
0x2C14	RCERC_1	Receive Channel Enable Register Partition C, McBSP #1	0000 0000 0000 0000
0x2C15	RCERD_1	Receive Channel Enable Register Partition D, McBSP #1	0000 0000 0000 0000
0x2C16	XCERC_1	Transmit Channel Enable Register Partition C, McBSP #1	0000 0000 0000 0000
0x2C17	XCERD_1	Transmit Channel Enable Register Partition D, McBSP #1	0000 0000 0000 0000
0x2C18	RCERE_1	Receive Channel Enable Register Partition E, McBSP #1	0000 0000 0000 0000
0x2C19	RCERF_1	Receive Channel Enable Register Partition F, McBSP #1	0000 0000 0000 0000
0x2C1A	XCERE_1	Transmit Channel Enable Register Partition E, McBSP #1	0000 0000 0000 0000
0x2C1B	XCERF_1	Transmit Channel Enable Register Partition F, McBSP #1	0000 0000 0000 0000
0x2C1C	RCERG_1	Receive Channel Enable Register Partition G, McBSP #1	0000 0000 0000 0000
0x2C1D	RCERH_1	Receive Channel Enable Register Partition H, McBSP #1	0000 0000 0000 0000
0x2C1E	XCERG_1	Transmit Channel Enable Register Partition G, McBSP #1	0000 0000 0000 0000
0x2C1F	XCERH_1	Transmit Channel Enable Register Partition H, McBSP #1	0000 0000 0000 0000

Table 3-66. Multichannel Serial Port #2

WORD ADDRESS	REGISTER NAME	DESCRIPTION	RESET VALUE
0x3000	DRR1_2	Data Receive Register 1, McBSP #2	0000 0000 0000 0000
0x3001	DRR2_2	Data Receive Register 2, McBSP #2	0000 0000 0000 0000
0x3002	DXR1_2	Data Transmit Register 1, McBSP #2	0000 0000 0000 0000
0x3003	DXR2_2	Data Transmit Register 2, McBSP #2	0000 0000 0000 0000
0x3004	SPCR1_2	Serial Port Control Register 1, McBSP #2	0000 0000 0000 0000
0x3005	SPCR2_2	Serial Port Control Register 2, McBSP #2	0000 0000 0000 0000
0x3006	RCR1_2	Receive Control Register 1, McBSP #2	0000 0000 0000 0000
0x3007	RCR2_2	Receive Control Register 2, McBSP #2	0000 0000 0000 0000
0x3008	XCR1_2	Transmit Control Register 1, McBSP #2	0000 0000 0000 0000
0x3009	XCR2_2	Transmit Control Register 2, McBSP #2	0000 0000 0000 0000
0x300A	SRGR1_2	Sample Rate Generator Register 1, McBSP #2	0000 0000 0000 0001
0x300B	SRGR2_2	Sample Rate Generator Register 2, McBSP #2	0010 0000 0000 0000
0x300C	MCR1_2	Multichannel Control Register 1, McBSP #2	0000 0000 0000 0000
0x300D	MCR2_2	Multichannel Control Register 2, McBSP #2	0000 0000 0000 0000
0x300E	RCERA_2	Receive Channel Enable Register Partition A, McBSP #2	0000 0000 0000 0000
0x300F	RCERB_2	Receive Channel Enable Register Partition B, McBSP #2	0000 0000 0000 0000
0x3010	XCERA_2	Transmit Channel Enable Register Partition A, McBSP #2	0000 0000 0000 0000
0x3011	XCERB_2	Transmit Channel Enable Register Partition B, McBSP #2	0000 0000 0000 0000
0x3012	PCR2	Pin Control Register, McBSP #2	0000 0000 0000 0000
0x3013		Reserved	
0x3014	RCERC_2	Receive Channel Enable Register Partition C, McBSP #2	0000 0000 0000 0000
0x3015	RCERD_2	Receive Channel Enable Register Partition D, McBSP #2	0000 0000 0000 0000
0x3016	XCERC_2	Transmit Channel Enable Register Partition C, McBSP #2	0000 0000 0000 0000
0x3017	XCERD_2	Transmit Channel Enable Register Partition D, McBSP #2	0000 0000 0000 0000
0x3018	RCERE_2	Receive Channel Enable Register Partition E, McBSP #2	0000 0000 0000 0000
0x3019	RCERF_2	Receive Channel Enable Register Partition F, McBSP #2	0000 0000 0000 0000
0x301A	XCERE_2	Transmit Channel Enable Register Partition E, McBSP #2	0000 0000 0000 0000
0x301B	XCERF_2	Transmit Channel Enable Register Partition F, McBSP #2	0000 0000 0000 0000
0x301C	RCERG_2	Receive Channel Enable Register Partition G, McBSP #2	0000 0000 0000 0000
0x301D	RCERH_2	Receive Channel Enable Register Partition H, McBSP #2	0000 0000 0000 0000
0x301E	XCERG_2	Transmit Channel Enable Register Partition G, McBSP #2	0000 0000 0000 0000
0x301F	XCERH_2	Transmit Channel Enable Register Partition H, McBSP #2	0000 0000 0000 0000

Table 3-67. HPI

WORD ADDRESS	REGISTER NAME	DESCRIPTION	RESET VALUE ⁽¹⁾
0xA000	PID LSW	PID [15:0]	—
0xA001	PID MSW	PID [31:16]	—
0xA002	HPWREMU	Power and Emulation Management Register	0000 0000 0000 0000
0xA003		Reserved	
0xA004	HGPIOINT1	General-Purpose I/O Interrupt Control Register 1	0000 0000 0000 0000
0xA005	HGPIOINT2	General-Purpose I/O Interrupt Control Register 2	0000 0000 0000 0000
0xA006	HGPIOEN	General-Purpose I/O Enable Register	0000 0000 0000 0000
0xA007		Reserved	
0xA008	HGPIODIR1	General-Purpose I/O Direction Register 1	0000 0000 0000 0000
0xA009		Reserved	
0xA00A	HGPIODAT1	General-Purpose I/O Data Register 1	xxxx xxxx xxxx xxxx
0xA00B		Reserved	
0xA00C	HGPIODIR2	General-Purpose I/O Direction Register 2	0000 0000 0000 0000
0xA00D		Reserved	
0xA00E	HGPIODAT2	General-Purpose I/O Data Register 2	xxxx xxxx xxxx xxxx
0xA00F		Reserved	
0xA010	HGPIODIR3	General-Purpose I/O Direction Register 3	0000 0000 0000 0000
0xA011		Reserved	
0xA012	HGPIODAT3	General-Purpose I/O Data Register 3	xxxx xxxx xxxx xxxx
0xA013 - 0xA017		Reserved	
0xA018	HPIC	Host Port Control Register	0000 0000 0000 1000
0xA019		Reserved	
0xA01A	HPIAW	Host Port Write Address Register	xxxx xxxx xxxx xxxx
0xA01B		Reserved	
0xA01C	HPIAR	Host Port Read Address Register	xxxx xxxx xxxx xxxx
0xA01D - 0xA020		Reserved	

(1) x denotes a "don't care."

Table 3-68. GPIO

WORD ADDRESS	REGISTER NAME	DESCRIPTION	RESET VALUE ⁽¹⁾
0x3400	IODIR	General-purpose I/O Direction Register	0000 0000 0000 0000
0x3401	IODATA	General-purpose I/O Data Register	0000 0000 xxxx xxxx
0x4400	PGPIOEN0	Parallel GPIO Enable Register 0	0000 0000 0000 0000
0x4401	PGPIODIR0	Parallel GPIO Direction Register 0	0000 0000 0000 0000
0x4402	PGPIODAT0	Parallel GPIO Data Register 0	0000 0000 0000 0000
0x4403	PGPIOEN1	Parallel GPIO Enable Register 1	0000 0000 0000 0000
0x4404	PGPIODIR1	Parallel GPIO Direction Register 1	0000 0000 0000 0000
0x4405	PGPIODAT1	Parallel GPIO Data Register 1	0000 0000 0000 0000
0x4406	PGPIOEN2	Parallel GPIO Enable Register 2	0000 0000 0000 0000
0x4407	PGPIODIR2	Parallel GPIO Direction Register 2	0000 0000 0000 0000
0x4408	PGPIODAT2	Parallel GPIO Data Register 2	0000 0000 0000 0000

(1) x denotes a "don't care."

Table 3-69. Device Revision ID

WORD ADDRESS	REGISTER NAME	DESCRIPTION	RESET VALUE ⁽¹⁾
0x3800 - 0x3803	Die ID	Die ID	
0x3804	Chip ID (LSW)	Defines F# 3LS digits and PG rev	1001 0100 0110 xxxx
0x3805	Chip ID (MSW)	Defines F# 3MS digits	0000 0111 0101 0001
0x3806	Sub ID	Defines subsystem ID	0000 0000 0000 0000 ⁽²⁾
0x3807	Cat ID	Defines catalog device	0101 0101 0000 0010 (5502h)

(1) x denotes a "don't care."

(2) Denotes single core

Table 3-70. I²C

WORD ADDRESS	REGISTER NAME	DESCRIPTION	RESET VALUE ⁽¹⁾
0x3C00	I2COAR ⁽²⁾	I ² C Own Address Register	0000 0000 0000 0000
0x3C01	I2CIER	I ² C Interrupt Enable Register	0000 0000 0000 0000
0x3C02	I2CSTR	I ² C Status Register	0000 0100 0001 0000
0x3C03	I2CCLKL	I ² C Clock Low-Time Divider Register	0000 0000 0000 0000
0x3C04	I2CCLKH	I ² C Clock High-Time Divider Register	0000 0000 0000 0000
0x3C05	I2CCNT	I ² C Data Count	0000 0000 0000 0000
0x3C06	I2CDRR	I ² C Data Receive Register	0000 0000 0000 0000
0x3C07	I2CSAR	I ² C Slave Address Register	0000 0011 1111 1111
0x3C08	I2CDXR	I ² C Data Transmit Register	0000 0000 0000 0000
0x3C09	I2CMDR	I ² C Mode Register	0000 0000 0000 0000
0x3C0A	I2CISRC	I ² C Interrupt Source Register	0000 0000 0000 0000
0x3C0B	I2CGPIO	I ² C General-Purpose Register (Not supported)	xxxx xxxx xxxx xxxx
0x3C0C	I2CPSC	I ² C Prescaler Register	0000 0000 0000 0000
0x3C0D	PID1	I ² C Peripheral ID Register 1	-
0x3C0E	PID2	I ² C Peripheral ID Register 2	-
-	I2CXSR	I ² C Transmit Shift Register	-
-	I2CRSR	I ² C Receive Shift Register	-

(1) x denotes a "don't care."

(2) Specifies a unique 5502 I²C address. This register is fully programmable in both 7-bit and 10-bit modes and must be set by the programmer. When this device is used in conjunction with another I²C device, it must be programmed to the I²C slave address (01011A2A1A0) allocated by Philips Semiconductor for the 5502 (allocation number: 1946). A2, A1, and A0 are programmable address bits.

Table 3-71. UART

WORD ADDRESS	REGISTER NAME	DESCRIPTION	RESET VALUE ⁽¹⁾
0x9C00	URRBR/ URTHR/ URDLL ⁽²⁾	Receive Buffer Register Transmit Holding Register Divisor Latch LSB Register	xxxx xxxx
0x9C01	URIER/ URDLM ⁽³⁾	Interrupt Enable Register Divisor Latch MSB Register	0000 0000
0x9C02	URIIR/ URFCR ⁽⁴⁾	Interrupt Identification Register FIFO Control Register	0000 0001 0000 0000
0x9C03	URLCR	Line Control Register	0000 0000
0x9C04	URMCR	Modem Control Register	0000 0000
0x9C05	URLSR	Line Status Register	0110 0000
0x9C07	URSCR	Scratch Register	xxxx xxxx
0x9C08	URDLL ⁽²⁾	Divisor Latch LSB Register	–
0x9C09	URDLM ⁽³⁾	Divisor Latch MSB Register	–
0x9C0A	URPID1	Peripheral ID Register (LSW)	–
0x9C0B	URPID2	Peripheral ID Register (MSW)	–
0x9C0C	URPECR	Power and Emulation Control Register	0000 0000 0000 0000

(1) x denotes a "don't care."

(2) The registers URRBR, URTHR, and URDLL share one address. URDLL also has a dedicated address. When using the dedicated address, the DLAB bit can be kept cleared, so that URRBR and URTHR are always selected at the shared address.

- If DLAB = 0:
Read Only: URRBR
Write Only: URTHR
- If DLAB = 1:
Read/Write: URDLL

(3) The registers URIER and URDLM share one address. URDLM also has a dedicated address. When using the dedicated address, the DLAB bit can be kept cleared, so that URIER is always selected at the shared address.

- If DLAB = 0:
Read/Write: URIER
- If DLAB = 1:
Read/Write: URDLM

(4) The registers URIIR and URFCR share one address.

- Read Only: URIIR
- Write Only: URFCR

Table 3-72. External Bus Selection

WORD ADDRESS	REGISTER NAME	DESCRIPTION	RESET VALUE
0x6C00	XBSR	External Bus Selection Register	0000 0000 0000 0000
0x8800	XBCR	External Bus Control Register	0000 0000 0000 0000

Table 3-73. Clock Mode Register

WORD ADDRESS	REGISTER NAME	DESCRIPTION	RESET VALUE
0x8C00	CLKMD	Clock Mode Control Register	0000 0000 0000 0000

Table 3-74. CLKOUT Selector Register

WORD ADDRESS	REGISTER NAME	DESCRIPTION	RESET VALUE
0x8400	CLKOUTSR	CLKOUT Selection Register	0000 0000 0000 0010

Table 3-75. Clock Controller Registers

WORD ADDRESS	REGISTER NAME	DESCRIPTION	RESET VALUE
0x1C80	PLLCSR	PLL Control Status Register	0000 0000 0000 0000
0x1C82	CK3SEL	CLKOUT3 Select Register	0000 0000 0000 1011
0x1C88	PLLM	PLL Multiplier Control Register	0000 0000 0000 0000
0x1C8A	PLLDIV0	PLL Divider 0 Register	1000 0000 0000 0000
0x1C8C	PLLDIV1	PLL Divider 1 Register	1000 0000 0000 0011
0x1C8E	PLLDIV2	PLL Divider 2 Register	1000 0000 0000 0011
0x1C90	PLLDIV3	PLL Divider 3 Register	1000 0000 0000 0011
0x1C92	OSCDIV1	Oscillator Divider 1 Register	0000 0000 0000 0000
0x1C98	WKEN	Oscillator Wakeup Control Register	0000 0000 0000 0000

Table 3-76. IDLE Control Registers

WORD ADDRESS	REGISTER NAME	DESCRIPTION	RESET VALUE
0x9400	PICR	Peripheral IDLE Control Register	0000 0000 0000 0000
0x9401	PISTR	Peripheral IDLE Status Register	0000 0000 0000 0000
0x9402	MICR	Master IDLE Control Register	0000 0000 0000 0000
0x9403	MISR	Master IDLE Status Register	0000 0000 0000 0000

3.17 Interrupts

Vector-relative locations and priorities for all internal and external interrupts are shown in Table 3-77. For more information on setting up and using interrupts, please refer to the *TMS320C55x DSP CPU Reference Guide* (literature number SPRU371).

Table 3-77. Interrupt Table

NAME	SOFTWARE (TRAP) EQUIVALENT	LOCATION (HEX BYTES)	PRIORITY	FUNCTION
RESET	SINT0	0	0	Reset (hardware and software)
NMI	SINT1	8	1	Nonmaskable interrupt
INT0	SINT2	10	3	External interrupt #0
INT2	SINT3	18	5	External interrupt #2
TINT0	SINT4	20	6	Timer #0 interrupt
RINT0	SINT5	28	7	McBSP #0 receive interrupt
RINT1	SINT6	30	9	McBSP #1 receive interrupt
XINT1	SINT7	38	10	McBSP #1 transmit interrupt
LCKINT	SINT8	40	11	PLL lock interrupt
DMAC1	SINT9	48	13	DMA Channel #1 interrupt

Table 3-77. Interrupt Table (continued)

NAME	SOFTWARE (TRAP) EQUIVALENT	LOCATION (HEX BYTES)	PRIORITY	FUNCTION
DSPINT	SINT10	50	14	Interrupt from host
INT3/WDTINT ⁽¹⁾	SINT11	58	15	External interrupt #3 or Watchdog timer interrupt
RINT2	SINT12	60	17	McBSP #2 receive interrupt
XINT2	SINT13	68	18	McBSP #2 transmit interrupt
DMAC4	SINT14	70	21	DMA Channel #4 interrupt
DMAC5	SINT15	78	22	DMA Channel #5 interrupt
INT1	SINT16	80	4	External interrupt #1
XINT0	SINT17	88	8	McBSP #0 transmit interrupt
DMAC0	SINT18	90	12	DMA Channel #0 interrupt
–	SINT19	98	16	Software interrupt #19
DMAC2	SINT20	A0	19	DMA Channel #2 interrupt
DMAC3	SINT21	A8	20	DMA Channel #3 interrupt
TINT1	SINT22	B0	23	Timer #1 interrupt
IIC	SINT23	B8	24	I ² C interrupt
BERR	SINT24	C0	2	Bus Error interrupt
DLOG	SINT25	C8	25	Data Log interrupt
RTOS	SINT26	D0	26	Real-time Operating System interrupt
–	SINT27	D8	27	Software interrupt #27
–	SINT28	E0	28	Software interrupt #28
–	SINT29	E8	29	Software interrupt #29
–	SINT30	F0	30	Software interrupt #30
–	SINT31	F8	31	Software interrupt #31

(1) WDTINT is generated only when the WDT interrupt pin is connected to INT3 through the TSSR.

3.17.1 IFR and IER Registers

The Interrupt Enable Registers (IER0 and IER1) control which interrupts will be masked or enabled during normal operation. The Interrupt Flag Registers (IFR0 and IFR1) contain flags that indicate interrupts that are currently pending.

The Debug Interrupt Enable Registers (DBIER0 and DBIER1) are used only when the CPU is *halted* in the real-time emulation mode. If the CPU is *running* in real-time mode, the standard interrupt processing (IER0/1) is used and DBIER0/1 are ignored.

A maskable interrupt enabled in DBIER0/1 is defined as a time-critical interrupt. When the CPU is halted in the real-time mode, the only interrupts that are serviced are time-critical interrupts that are also enabled in an interrupt enable register (IER0 or IER1).

Write the DBIER0/1 to enable or disable time-critical interrupts. To enable an interrupt, set its corresponding bit. To disable an interrupt, clear its corresponding bit. Initialize these registers before using the real-time emulation mode.

A DSP hardware reset clears IFR0/1, IER0/1, and DBIER0/1 to 0. A software reset instruction clears IFR0/1 to 0 but does not affect IER0/1 and DBIER0/1.

The bit layouts of these registers for each interrupt are shown in Figure 3-51 and Figure 3-52. For more information on the IER, IFR, and DBIER registers, refer to the *TMS320C55x DSP CPU Reference Guide* (literature number SPRU371).

15	14	13	12	11	10	9	8
DMAC5	DMAC4	XINT2	RINT2/ UART	INT3/ WDTINT ⁽¹⁾	DSPINT	DMAC1	Reserved
R/W, 0	R/W, 0	R/W, 0	R/W, 0	R/W, 0	R/W, 0	R/W, 0	R/W, 0
7	6	5	4	3	2	1	0
XINT1	RINT1	RINT0	TINT0	INT2	INT0	Reserved	
R/W, 0	R/W, 0	R/W, 0	R/W, 0	R/W, 0	R/W, 0	R, 0	

LEGEND: R = Read, W = Write, n = value at reset

(1) WDTINT is generated only when the WDT interrupt pin is connected to INT3 through the TSSR.

Figure 3-51. IFR0, IER0, DBIFR0, and DBIER0 Registers Layout

15	Reserved				11	10	9	8
R, 0					RTOS	DLOG	BERR	
					R/W, 0	R/W, 0	R/W, 0	
7	6	5	4	3	2	1	0	
I ² C	TINT1	DMAC3	DMAC2	INT4	DMAC0	XINT0	INT1	
R/W, 0	R/W, 0	R/W, 0	R/W, 0	R/W, 0	R/W, 0	R/W, 0	R/W, 0	

LEGEND: R = Read, W = Write, n = value at reset

Figure 3-52. IFR1, IER1, DBIFR1, and DBIER1 Registers Layout

3.17.2 Interrupt Timing

The external interrupts ($\overline{\text{NMI}}$ and $\overline{\text{INT}}$) are synchronized to the CPU by way of a two-flip-flop synchronizer. The interrupt inputs are sampled on falling edges of the CPU clock. A sequence on the interrupt pin of 1-0-0-0 on consecutive cycles is required for an interrupt to be detected. Therefore, the minimum low pulse duration on the external interrupts on the 5502 is three CPU clock periods.

TIM0, TIM1, WDTOUT, and HPI. $\overline{\text{HAS}}$ can be configured to generate interrupts to the CPU. When they are used for this function, these pins will generate the interrupt associated with that module, i.e., TIM0 will generate TINT0, HPI. $\overline{\text{HAS}}$ will generate DSPINT, etc. Three SYSCLK1 clock cycles must be allowed to pass between consecutive interrupts generated using the HPI. $\overline{\text{HAS}}$ signal; otherwise, the last interrupt will be ignored (i.e., a sequence of 0-1-1-1-0 on consecutive cycles is required for consecutive interrupts). For more information on configuring TIM0, TIM1, WDTOUT, and HPI. $\overline{\text{HAS}}$ as interrupt pins, please refer to the *TMS320VC5501/5502 DSP Timers Reference Guide* (literature number SPRU618) for the timer pins and to the *TMS320VC5501/5502 DSP Host Port Interface (HPI) Reference Guide* (literature number SPRU620) for the HPI pin.

3.17.3 Interrupt Acknowledge

The $\overline{\text{ACK}}$ pin is used to indicate the receipt of an interrupt and that the program counter is fetching the interrupt vector location designated on the address bus. As the CPU fetches the first word or the software vector, it generates the $\overline{\text{ACK}}$ signal, which clears the appropriate interrupt flag bit. The $\overline{\text{ACK}}$ signal will go low for a total of one CPU clock pulse and then go high again. For maskable interrupts, note that the CPU will not jump to an interrupt service routine if the appropriate interrupt enable bit is not set; consequently, the $\overline{\text{ACK}}$ pin will not go low when the interrupt is generated.

3.18 Notice Concerning TCK

Under certain conditions, the emulation hardware may corrupt the emulation control state machine or may cause it to lose synchronization with the emulator software. When emulation commands fail as a result of the problem, Code Composer Studio™ Integrated Development Environment (IDE) may be unable to start or it may report errors when interacting with the TMS320C55x™ DSP (for example, when halting the CPU, reaching a breakpoint, etc.).

This phenomenon is observed when an erroneous clock edge is generated from the TCK signal inside the C55x™ DSP. This can be caused by several factors, acting independently or cumulatively:

- TCK transition times (as measured between 2.4 V and 0.8 V) in excess of 3 ns.
- Operating the C55x DSP in a socket, which can aggravate noise or glitches on the TCK input.
- Poor signal integrity on the TCK line from reflections or other layout issues.

A TCK edge that can cause this problem might look similar to the one shown in Figure 3-53. A TCK edge that does not cause the problem looks similar to the one shown in Figure 3-54. The key difference between the two figures is that Figure 3-54 has a clean and sharp transition whereas Figure 3-53 has a "knee" in the transition zone. Problematic TCK signals may not have a knee that is as pronounced as the one in Figure 3-53. Due to the TCK signal amplification inside the chip, any perturbation of the signal can create erroneous clock edges.

As a result of the faster edge transition, there is increased ringing in Figure 3-54. As long as the ringing does not cross logic input thresholds (0.8 V for falling edges, and 2.4 V for rising edges), this ringing is acceptable.

When examining a TCK signal for this issue, either in board simulation or on an actual board, it is very important to probe the TCK line as close to the DSP input pin as possible. In simulation, it should not be difficult to probe right at the DSP input. For most physical boards, this means using the via for the TCK pad on the back side of the board. Similarly, ground for the probe should come from one of the nearby ground pad vias to minimize EMI noise picked up by the probe.

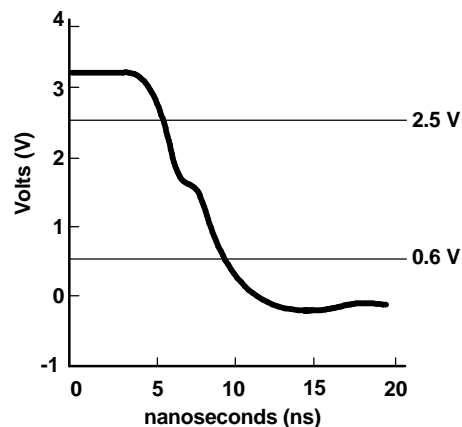


Figure 3-53. Bad TCK Transition

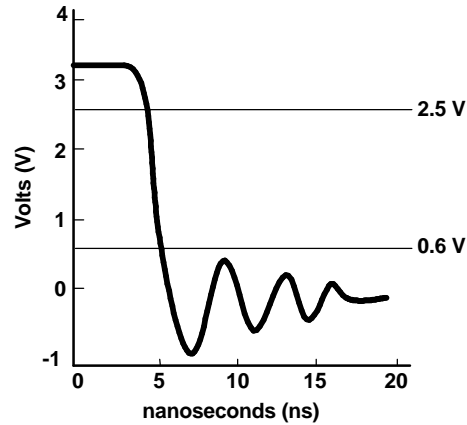


Figure 3-54. Good TCK Transition

As the problem may be caused by one or more of the above factors, one or more of the steps outlined below may be necessary to fix it:

- Avoid using a socket
- Ensure the board design achieves rise times and fall times of less than 3 ns with clean monotonic edges for the TCK signal.
- For designs where TCK is supplied by the emulation pod, implement noise filtering circuitry on the target board. A sample circuit is shown in Figure 3-55.

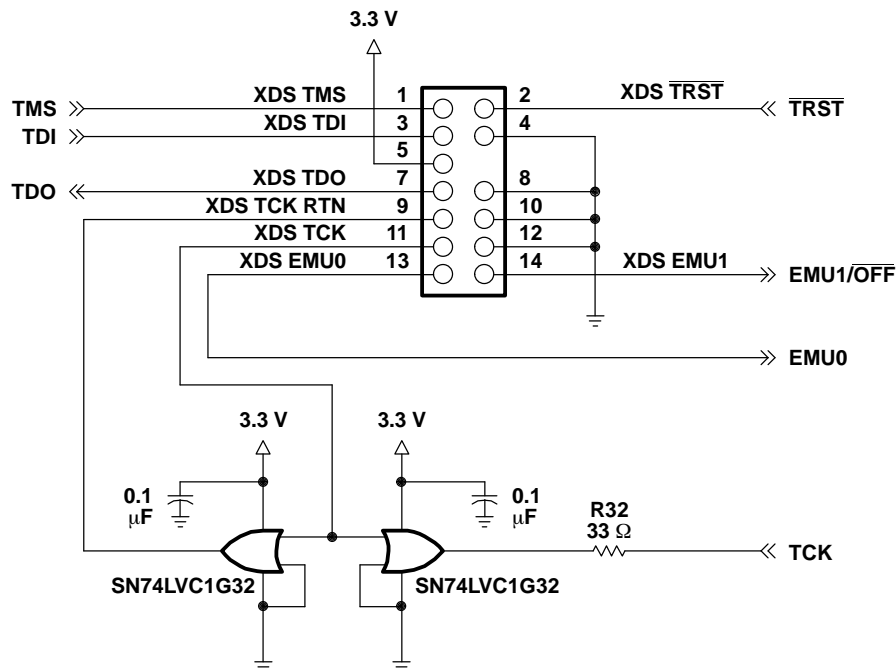


Figure 3-55. Sample Noise Filtering Circuitry

4 Support

4.1 Notices Concerning JTAG (IEEE 1149.1) Boundary Scan Test Capability

4.1.1 Initialization Requirements for Boundary Scan Test

The TMS320VC5502 uses the JTAG port for boundary scan tests, emulation capability and factory test purposes. To use boundary scan test, the EMU0 and EMU1/ $\overline{\text{OFF}}$ pins must be held HIGH through a rising edge of the $\overline{\text{TRST}}$ signal prior to the first scan. This operation selects the appropriate TAP control for boundary scan. If at any time during a boundary scan test a rising edge of $\overline{\text{TRST}}$ occurs when EMU0 or EMU1/ $\overline{\text{OFF}}$ are not high, a factory test mode may be selected preventing boundary scan test from being completed. For this reason, it is recommended that EMU0 and EMU1/ $\overline{\text{OFF}}$ be pulled or driven high at all times during boundary scan test.

4.1.2 Boundary Scan Description Language (BSDL) Model

BSDL models are available on the web in the TMS320VC5502 product folder under the "simulation models" section.

4.2 Documentation Support

Extensive documentation supports all TMS320™ DSP family of devices from product announcement through applications development. The following types of documentation are available to support the design and use of the TMS320C5000™ platform of DSPs:

- Device-specific data sheets
- Complete user's guides
- Development support tools
- Hardware and software application reports
- *MicroStar BGA™ Packaging Reference Guide* (literature number SSYZ015)

TMS320C55x reference documentation that includes, but is not limited to, the following:

- *TMS320C55x DSP CPU Reference Guide* (literature number SPRU371)
- *TMS320C55x DSP Mnemonic Instruction Set Reference Guide* (literature number SPRU374)
- *TMS320C55x DSP Algebraic Instruction Set Reference Guide* (literature number SPRU375)
- *TMS320C55x DSP Programmer's Guide* (literature number SPRU376)
- *TMS320C55x Assembly Language Tools User's Guide* (literature number SPRU280)
- *TMS320VC5501/5502 DSP Instruction Cache Reference Guide* (literature number SPRU630)
- *TMS320VC5501/5502 DSP Timers Reference Guide* (literature number SPRU618)
- *TMS320VC5501/5502/5503/5507/5509 DSP Inter-Integrated Circuit (I2C) Module Reference Guide* (literature number SPRU146)
- *TMS320VC5501/5502 DSP Host Port Interface (HPI) Reference Guide* (literature number SPRU620)
- *TMS320VC5501/5502 DSP Direct Memory Access (DMA) Controller Reference Guide* (literature number SPRU613)
- *TMS320VC5501/5502/5503/5507/5509/5510 DSP Multichannel Buffered Serial Port (McBSP) Reference Guide* (literature number SPRU592)
- *TMS320VC5501/5502 DSP External Memory Interface (EMIF) Reference Guide* (literature number SPRU621)
- *TMS320VC5501/5502 DSP Universal Asynchronous Receiver/Transmitter (UART) Reference Guide* (literature number SPRU597)
- *TMS320VC5502 and TMS320VC5501 Digital Signal Processors Silicon Errata* (literature number SPRZ020D or later)
- *TMS320VC5501/02 Power Consumption Summary Application Report* (literature number SPRA993)

The reference guides describe in detail the TMS320C55x™ DSP products currently available and the hardware and software applications, including algorithms, for fixed-point TMS320 DSP family of devices.

A series of DSP textbooks is published by Prentice-Hall and John Wiley & Sons to support digital signal processing research and education. The TMS320 DSP newsletter, *Details on Signal Processing*, is published quarterly and distributed to update TMS320 DSP customers on product information.

Information regarding TI DSP products is also available on the Worldwide Web at <http://www.ti.com> uniform resource locator (URL).

4.3 Device and Development-Support Tool Nomenclature

To designate the stages in the product development cycle, TI assigns prefixes to the part numbers of all TMS320™ DSP devices and support tools. Each TMS320™ DSP commercial family member has one of three prefixes: TMX, TMP, or TMS (e.g., TMS320VC5502). Texas Instruments recommends two of three possible prefix designators for its support tools: TMDX and TMDS. These prefixes represent evolutionary stages of product development from engineering prototypes (TMX/TMDX) through fully qualified production devices/tools (TMS/TMDS).

Device development evolutionary flow:

TMX Experimental device that is not necessarily representative of the final device's electrical specifications

TMP Final silicon die that conforms to the device's electrical specifications but has not completed quality and reliability verification

TMS Fully qualified production device

Support tool development evolutionary flow:

TMDX Development-support product that has not yet completed Texas Instruments internal qualification testing.

TMDS Fully qualified development-support product

TMX and TMP devices and TMDX development-support tools are shipped against the following disclaimer:

"Developmental product is intended for internal evaluation purposes."

TMS devices and TMDS development-support tools have been characterized fully, and the quality and reliability of the device have been demonstrated fully. TI's standard warranty applies.

Predictions show that prototype devices (TMX or TMP) have a greater failure rate than the standard production devices. Texas Instruments recommends that these devices not be used in any production system because their expected end-use failure rate still is undefined. Only qualified production devices are to be used.

5 Specifications

5.1 Electrical Specifications

This section provides the absolute maximum ratings and the recommended operating conditions for the TMS320VC5502 DSP.

All electrical and switching characteristics in this data manual are valid over the recommended operating conditions unless otherwise specified.

5.2 Absolute Maximum Ratings Over Operating Case Temperature Range (Unless Otherwise Noted)⁽¹⁾⁽²⁾⁽³⁾

Supply voltage I/O range, DV_{DD}	–0.3 V to 4.0 V
Supply voltage core range, CV_{DD}	–0.3 V to 2.0 V
Input voltage range, V_I	–0.3 V to 4.5 V
Output voltage range, V_o	–0.3 V to 4.5 V
Operating case temperature range, T_C	–40°C to 85°C
Storage temperature range, T_{stg}	–55°C to 150°C

- (1) Stresses beyond those listed under absolute maximum ratings may cause permanent damage to the device. These are stress ratings only, and functional operation of the device at these or any other conditions beyond those indicated under recommended operating conditions is not implied. Exposure to absolute-maximum-rated conditions for extended periods may affect device reliability.
- (2) All supply voltage values (core and I/O) are with respect to V_{SS} .
- (3) Figure 5-1 provides the test load circuit values for a 3.3-V device. Measured timing information contained in this data manual is based on the test load setup and conditions shown in Figure 5-1.

5.3 Recommended Operating Conditions

		MIN	NOM	MAX	UNIT	
DV_{DD}	Device supply voltage, I/O	3.0	3.3	3.6	V	
CV_{DD}	Device supply voltage, core	1.20	1.26	1.32	V	
PV_{DD}	Device supply voltage, PLL	3.0	3.3	3.6	V	
V_{SS}	Supply voltage, GND	0			V	
V_{IH}	High-level input voltage, I/O	Hysteresis inputs $DV_{DD} = 3.0 - 3.6$ V		2.2	$DV_{DD} + 0.3$	V
		All other inputs $DV_{DD} = 3.0 - 3.6$ V		2	$DV_{DD} + 0.3$	
V_{IL}	Low-level input voltage, I/O	Hysteresis inputs $DV_{DD} = 3.0 - 3.6$ V		–0.3	0.8	V
		All other inputs $DV_{DD} = 3.0 - 3.6$ V		–0.3	0.8	
I_{OH}	High-level output current	All outputs		–300	μA	
I_{OL}	Low-level output current	All outputs		1.5	mA	
T_C	Operating case temperature	–40		85	°C	

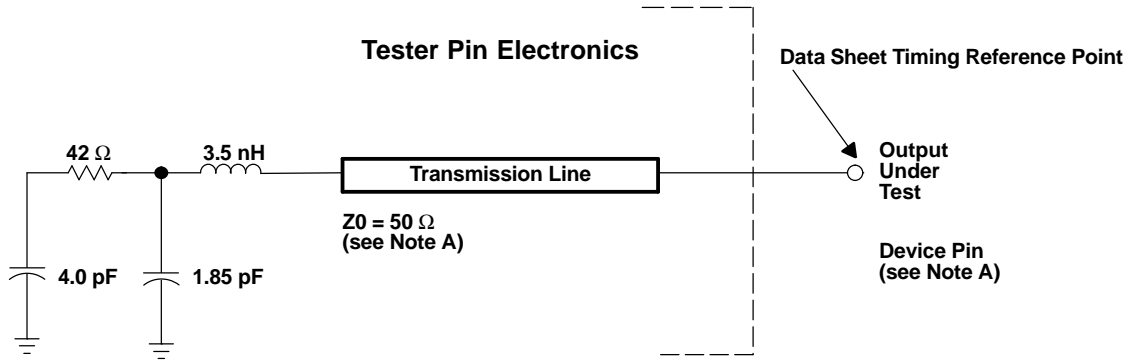
5.4 Electrical Characteristics Over Recommended Operating Case Temperature Range (Unless Otherwise Noted)

PARAMETER		TEST CONDITIONS	MIN	TYP	MAX	UNIT	
V _{OH}	High-level output voltage	DV _{DD} = 3.3 ± 0.3 V, I _{OH} = MAX	2.4			V	
V _{OL}	Low-level output voltage	I _{OL} = MAX			0.4	V	
I _{IZ}	Input current for outputs in high impedance	Output-only or input/output pins with bus holders	Bus holders enabled DV _{DD} = MAX, V _O = V _{SS} to DV _{DD}	–300		300	μA
		All other output-only or input/output pins	DV _{DD} = MAX, V _I = V _{SS} to DV _{DD}	–5		5	
I _I	Input current	Input pins with internal pulldown	DV _{DD} = MAX, V _I = V _{SS} to DV _{DD}	–5		300	μA
		X2/CLKIN	DV _{DD} = MAX, V _I = V _{SS} to DV _{DD}	–50		50	
		Input pins with internal pullup	Pullup enabled DV _{DD} = MAX, V _I = V _{SS} to DV _{DD}	–300		5	
		All other input-only pins	DV _{DD} = MAX, V _I = V _{SS} to DV _{DD}	–5		5	
I _{DCC}	CV _{DD} supply current ⁽¹⁾	CV _{DD} = Nominal CPU clock = 300 MHz T _C = 25°C			239	mA	
I _{DDD}	DV _{DD} supply current ⁽¹⁾	DV _{DD} = Nominal CPU clock = 300 MHz T _C = 25°C			39	mA	
I _{DDP}	PV _{DD} supply current ⁽¹⁾	PV _{DD} = Nominal 20-MHz clock input, APLL mode = x15			11	mA	
C _i	Input capacitance			3		pF	
C _o	Output capacitance			3		pF	

(1) Current draw is highly application-dependent. The power numbers quoted here are for the sample application described in the *TMS320VC5501/02 Power Consumption Summary* application report (literature number SPRA993). The spreadsheet provided with the application report can be used to estimate the power consumption for a particular application. The spreadsheet also contains the current consumption that can be expected when running the DSP in its idle configurations.

The sample application can be summarized as follows:

- Case temperature: 25°C
- APLL: 300 MHz
- CPU: 85% utilization
 - Instruction cache enabled
 - CLKOUT off
- EMIF: 75 MHz, 118% utilization, 100% writes, 32 bits, 100% switching
 - ECLKOUT1 and ECLKOUT2: Off
- HPI: 5Mwords/second, 100% utilization, 100% writes, 100% switching
- DMA:
 - Channel 0: 35% utilization, 32-bit elements, 100% switching (for internal memory to external memory transfers)
 - Channel 1: 1.56% utilization, 32-bit elements, 100% switching (for internal memory to McBSP0 transfers)
 - Channel 2: 1.56% utilization, 32-bit elements, 100% switching (for McBSP1 to internal memory transfers)
 - Channels 3 and 4: 0% utilization (reserved for UART transfers)
 - Channel 5: 60% utilization (for internal memory to internal memory transfers using Watchdog Timer event)
- McBSP0: 25 MHz, 100% utilization, 100% switching
- Timer0: 5 MHz, 100% utilization, 100% switching
- Timer1: 10 MHz, 100% utilization, 100% switching
- WD Timer: 30 MHz, 100% utilization, 100% switching
- UART: 9600 baud, 100% utilization
- All other peripherals use 0 MHz, 0% utilization



- A. The data sheet provides timing at the device pin. For output timing analysis, the tester pin electronics and its transmission line effects must be taken into account. A transmission line with a delay of 2 ns or longer can be used to produce the desired transmission line effect. The transmission line is intended as a load only. It is not necessary to add or subtract the transmission line delay (2 ns or longer) from the data sheet timings.
 Input requirements in this data sheet are tested with an input slew rate of < 4 Volts per nanosecond (4 V/ns) at the device pin.

Figure 5-1. 3.3-V Test Load Circuit

5.5 Timing Parameter Symbolology

Timing parameter symbols used in the timing requirements and switching characteristics tables are created in accordance with JEDEC Standard 100. To shorten the symbols, some of the pin names and other related terminology have been abbreviated as follows:

Lowercase subscripts and their meanings:

a	access time
c	cycle time (period)
d	delay time
dis	disable time
en	enable time
f	fall time
h	hold time
r	rise time
su	setup time
t	transition time
v	valid time
w	pulse duration (width)
X	Unknown, changing, or don't care level

Letters and symbols and their meanings:

H	High
L	Low
V	Valid
Z	High impedance

5.6 Clock Options

This section provides the timing requirements and switching characteristics for the various clock options available on the 5502.

5.6.1 Internal System Oscillator With External Crystal

The 5502 includes an internal oscillator which can be used in conjunction with an external crystal to generate the input clock to the DSP. The oscillator requires an external crystal connected across the X1 and X2/CLKIN pins. If the internal oscillator is not used, an external clock source must be applied to the X2/CLKIN pin and the X1 pin should be left unconnected. Since the internal oscillator can be used as a clock source to the PLL, the crystal oscillation frequency can be multiplied to generate the input clock to the different clock groups of the DSP.

GPIO4 is sampled on the rising edge of the reset signal to set the state of the CLKMD0 bit of the Clock Mode Control Register (CLKMD), which in turns, determines the clock source for the DSP. The CLKMD0 bit selects either the internal oscillator output (OSCOOUT) or the X2/CLKIN pin as the input clock source for the DSP. If GPIO4 is low at reset, the CLKMD0 bit will be set to '0' and the internal oscillator and the external crystal generate the input clock for the DSP. If GPIO4 is high, the CLKMD0 bit will be set to '1' and the input clock will be taken directly from the X2/CLKIN pin.

The crystal should be in fundamental-mode operation, and parallel resonant, with a maximum effective series resistance (ESR) as specified in Table 5-1. The connection of the required circuit is shown in Figure 5-2. Under some conditions, all the components shown are not required. The capacitors, C₁ and C₂, should be chosen such that the equation below is satisfied. C_L in the equation is the load specified for the crystal that is also specified in Table 5-1.

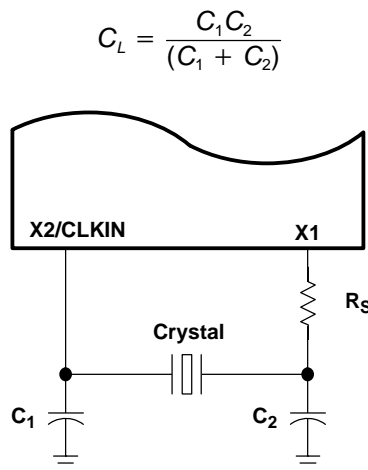


Figure 5-2. Internal System Oscillator With External Crystal

Table 5-1. Recommended Crystal Parameters

FREQUENCY RANGE (MHz)	MAXIMUM ESR SPECIFICATIONS (Ω)	C _{LOAD} (pF)	MAXIMUM C _{SHUNT} (pF)	R _S (kΩ)
20-15	40	10	7	0
15-12	40	16	7	0
12-10	40	16	7	2.8
10-8	60	18	7	2.2
8-6	60	18	7	8.8
6-5	80	18	7	14

The recommended ESR is presented as a maximum, and theoretically, a crystal with a lower maximum ESR might seem to meet these specifications. However, it is recommended that crystals with actual maximum ESR specifications as shown in Table 5-1 be used since this will result in maximum crystal performance reliability.

5.6.2 *Layout Considerations*

Since parasitic capacitance, inductance, and resistance can be significant in this and any circuit, good PC board layout practices should always be observed when planning trace routing to the discrete components used in this oscillator circuit. Specifically, the crystal and the associated discrete components should be located as close to the DSP as physically possible. Also, X1 and X2/CLKIN traces should be separated as soon as possible after routing away from the DSP to minimize parasitic capacitance between them, and a ground trace should be run between these two signal lines. This also helps to minimize stray capacitance between these two signals.

5.6.3 Clock Generation in Bypass Mode (APLL Disabled)

Table 5-2 and Table 5-3 assume testing over recommended operating conditions and $H = 0.5t_{c(CO)}$ (see Figure 5-3).

Table 5-2. CLKIN in Bypass Mode Timing Requirements

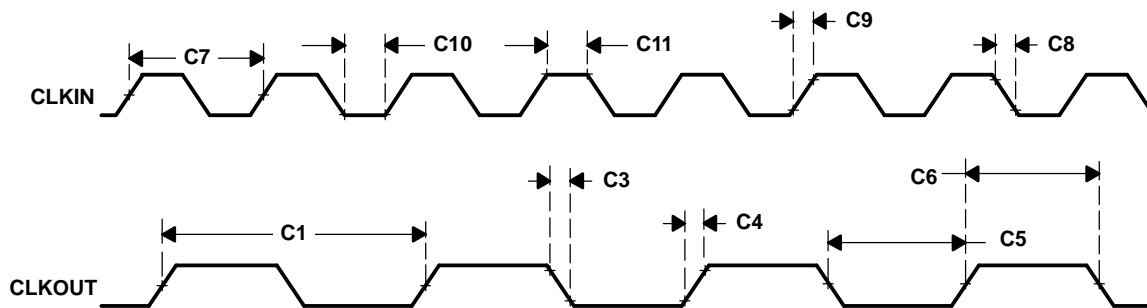
NO.		VC5502-200		VC5502-300		UNIT
		MIN	MAX	MIN	MAX	
C7	$t_{c(CI)}$ Cycle time, CLKIN ⁽¹⁾	APLL Synthesis Disabled		20	⁽²⁾	ns
C8	$t_{f(CI)}$ Fall time, CLKIN			10		ns
C9	$t_{r(CI)}$ Rise time, CLKIN			10		ns
C10	$t_{w(CIL)}$ Pulse duration, CLKIN low	0.4 * $t_{c(CI)}$		0.4 * $t_{c(CI)}$		ns
C11	$t_{w(CIH)}$ Pulse duration, CLKIN high	0.4 * $t_{c(CI)}$		0.4 * $t_{c(CI)}$		ns

- (1) If an external crystal is used, the X2/CLKIN cycle time is limited by the crystal frequency range listed in Table 5-1.
- (2) This device utilizes a fully static design and therefore can operate with $t_{c(CI)}$ approaching ∞ . The device is characterized at frequencies approaching 0 Hz.

Table 5-3. CLKOUT in Bypass Mode Switching Characteristics

NO.	PARAMETER	VC5502-200 VC5502-300			UNIT	
		MIN	TYP	MAX		
C1	$t_{c(CO)}$ Cycle time, CLKOUT	20	$K * t_{c(CI)}$ ⁽¹⁾	⁽²⁾	ns	
C3	$t_{f(CO)}$ Fall time, CLKOUT				3	ns
C4	$t_{r(CO)}$ Rise time, CLKOUT				3	ns
C5	$t_{w(COL)}$ Pulse duration, CLKOUT low	$K * t_{c(CI)} / 2 - 1$		$K * t_{c(CI)} / 2 + 1$	ns	
C6	$t_{w(COH)}$ Pulse duration, CLKOUT high	$K * t_{c(CI)} / 2 - 1$		$K * t_{c(CI)} / 2 + 1$	ns	

- (1) K = divider ratio between CPU clock and system clock selected as CLKOUT. For example, when SYSCLK1 is selected as CLKOUT and SYSCLK1 is set to the CPU clock divided by four, use K = 4.
- (2) This device utilizes a fully static design and therefore can operate with $t_{c(CI)}$ approaching ∞ . The device is characterized at frequencies approaching 0 Hz.



(A) The relationship of CLKIN to CLKOUT depends on the system clock selected to drive CLKOUT. The waveform relationship shown in this figure is intended to illustrate the timing parameters only and may differ based on configuration.

Figure 5-3. Bypass Mode Clock Timings

5.6.4 Clock Generation in Lock Mode (APLL Synthesis Enabled)

The frequency of the reference clock provided at the CLKIN pin can be multiplied by a synthesis factor of N to generate the internal CPU clock cycle. The synthesis factor is determined by:

$$N = \frac{M}{D_0}$$

where:

- M = the multiply factor set in the PLLM field of the PLL Multiplier Control Register (PLLM)
- D₀ = the divide factor set in the PLLDIV0 field of the PLL Divider 0 Register (PLLDIV0)

Valid values for M are (multiply by) 2 to 15. Valid values for D₀ are (divide by) 1 – 32.

For detailed information on clock generation configuration, see Section 3.10, System Clock Generator.

Table 5-4 and Table 5-5 assume testing over recommended operating conditions and H = 0.5t_{c(CO)} (see Figure 5-4).

Table 5-4. CLKIN in Lock Mode Timing Requirements

NO.			VC5502-200 VC5502-300		UNIT
			MIN	MAX	
C7	t _{c(CI)}	Cycle time, CLKIN ⁽¹⁾	APLL synthesis enabled		10 ⁽²⁾ 83.3 ns
C8	t _{f(CI)}	Fall time, CLKIN			10 ns
C9	t _{r(CI)}	Rise time, CLKIN			10 ns

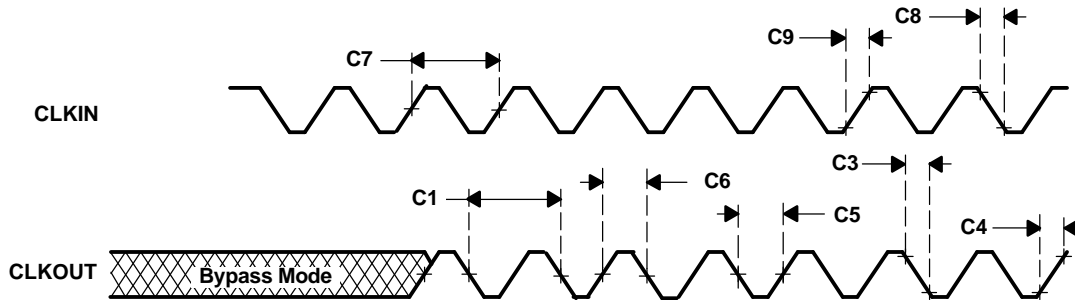
(1) If an external crystal is used, the X2/CLKIN cycle time is limited by the crystal frequency range listed in Table 5-1.

(2) The clock frequency synthesis factor and minimum CLKIN cycle time should be chosen such that the resulting CLKOUT cycle time is within the specified range [t_{c(CO)}].

Table 5-5. CLKOUT in Lock Mode Switching Characteristics

NO.	PARAMETER		VC5502-200 VC5502-300			UNIT
			MIN	TYP	MAX	
C1	t _{c(CO)}	Cycle time, CLKOUT	6.66	K * t _{c(CI)} /N ⁽¹⁾	14.29	ns
C3	t _{f(CO)}	Fall time, CLKOUT				3 ns
C4	t _{r(CO)}	Rise time, CLKOUT				3 ns
C5	t _{w(COL)}	Pulse duration, CLKOUT low	K * t _{c(CI)} / 2N – 1	K * t _{c(CI)} / 2N + 1		ns
C6	t _{w(COH)}	Pulse duration, CLKOUT high	K * t _{c(CI)} / 2N – 1	K * t _{c(CI)} / 2N + 1		ns

(1) N = Clock frequency synthesis factor. K = divider ratio between CPU clock and system clock selected as CLKOUT. For example, when SYSCLK1 is selected as CLKOUT and SYSCLK1 is set to the CPU clock divided by four, use K = 4.



(A) The waveform relationship of CLKIN to CLKOUT depends on the multiply and divide factors chosen for the APLL synthesis and on the system clock selected to drive CLKOUT. The waveform relationship shown in this figure is intended to illustrate the timing parameters only and may differ based on configuration.

Figure 5-4. External Multiply-by-N Clock Timings

5.6.5 EMIF Clock Options

Table 5-6 through Table 5-8 assume testing over recommended operating conditions (see Figure 5-5 through Figure 5-7).

Table 5-6. EMIF Timing Requirements for ECLKIN⁽¹⁾⁽²⁾

NO.	PARAMETER	VC5502-200 VC5502-300		UNIT
		MIN	MAX	
E7	$t_{c(EKI)}$ Cycle time, ECLKIN	10	16P	ns
E8	$t_{w(EKI H)}$ Pulse duration, ECLKIN high	0.4 * $t_{c(EKI)}$		ns
E9	$t_{w(EKI L)}$ Pulse duration, ECLKIN low	0.4 * $t_{c(EKI)}$		ns
E10	$t_{t(EKI)}$ Transition time, ECLKIN	2		ns

(1) P = 1/CPU clock frequency in ns. For example, when running parts at 300 MHz, use P = 3.33 ns.
(2) The reference points for the rise and fall transitions are measured at $V_{IL\ MAX}$ and $V_{IH\ MIN}$.

Table 5-7. EMIF Switching Characteristics for ECLKOUT1⁽¹⁾⁽²⁾⁽³⁾

NO.	PARAMETER	VC5502-200 VC5502-300		UNIT
		MIN	MAX	
E1	$t_{c(EKO1)}$ Cycle time, ECLKOUT1	E – 1	E + 1	ns
E2	$t_{w(EKO1 H)}$ Pulse duration, ECLKOUT1 high	EH – 1	EH + 1	ns
E3	$t_{w(EKO1 L)}$ Pulse duration, ECLKOUT1 low	EL – 1	EL + 1	ns
E4	$t_{t(EKO1)}$ Transition time, ECLKOUT1	1		ns
E5	$t_{d(EKI H-EKO1 H)}$ Delay time, ECLKIN high to ECLKOUT1 high	3	13	ns
E6	$t_{d(EKI L-EKO1 L)}$ Delay time, ECLKIN low to ECLKOUT1 low	3	13	ns

(1) The reference points for the rise and fall transitions are measured at $V_{OL\ MAX}$ and $V_{OH\ MIN}$.
(2) E = the EMIF input clock (CPU clock, CPU/2 clock, or CPU/4 clock) period in ns for EMIF.
(3) EH is the high period of E (EMIF input clock period) in ns and EL is the low period of E (EMIF input clock period) in ns for EMIF.

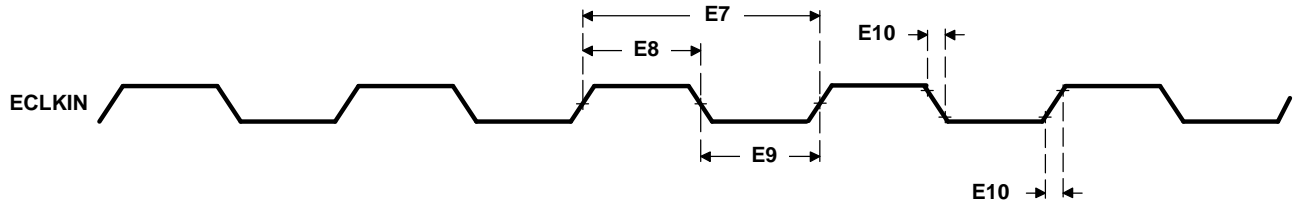


Figure 5-5. ECLKIN Timings for EMIF

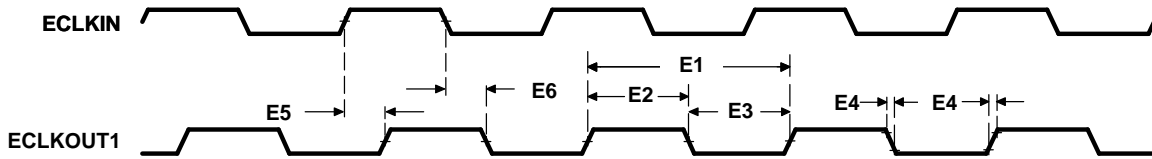


Figure 5-6. ECLKOUT1 Timings for EMIF Module

Table 5-8. EMIF Switching Characteristics for ECLKOUT2⁽¹⁾⁽²⁾

NO.	PARAMETER	VC5502-200 VC5502-300		UNIT
		MIN	MAX	
E11	$t_c(\text{EKO2})$ Cycle time, ECLKOUT2	$NE - 1$	$NE + 1$	ns
E12	$t_w(\text{EKO2H})$ Pulse duration, ECLKOUT2 high	$0.5NE - 1$	$0.5NE + 1$	ns
E13	$t_w(\text{EKO2L})$ Pulse duration, ECLKOUT2 low	$0.5NE - 1$	$0.5NE + 1$	ns
E14	$t_t(\text{EKO2})$ Transition time, ECLKOUT2		1	ns
E15	$t_d(\text{EKIH-EKO2H})$ Delay time, ECLKIN high to ECLKOUT2 high	3	13	ns
E16	$t_d(\text{EKIH-EKO2L})$ Delay time, ECLKIN high to ECLKOUT2 low	3	13	ns

- (1) The reference points for the rise and fall transitions are measured at $V_{OL\ MAX}$ and $V_{OH\ MIN}$.
 (2) E = the EMIF input clock (CPU clock, CPU/2 clock, or CPU/4 clock) period in ns for EMIF.
 N = the EMIF input clock divider; N = 1, 2, or 4.

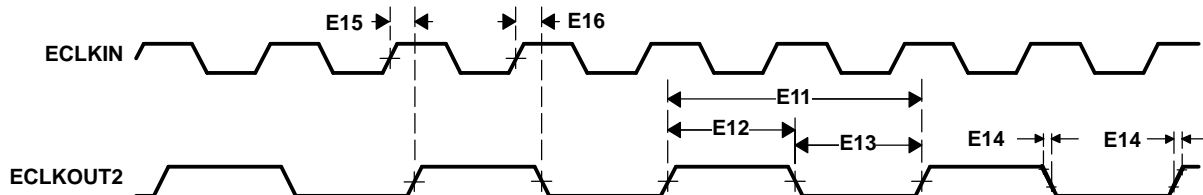


Figure 5-7. ECLKOUT2 Timings for EMIF Module

5.7 Memory Timings

5.7.1 Asynchronous Memory Timings

Table 5-9 and Table 5-10 assume testing over recommended operating conditions (see Figure 5-8 and Figure 5-9).

Table 5-9. Asynchronous Memory Cycle Timing Requirements for ECLKIN⁽¹⁾⁽²⁾

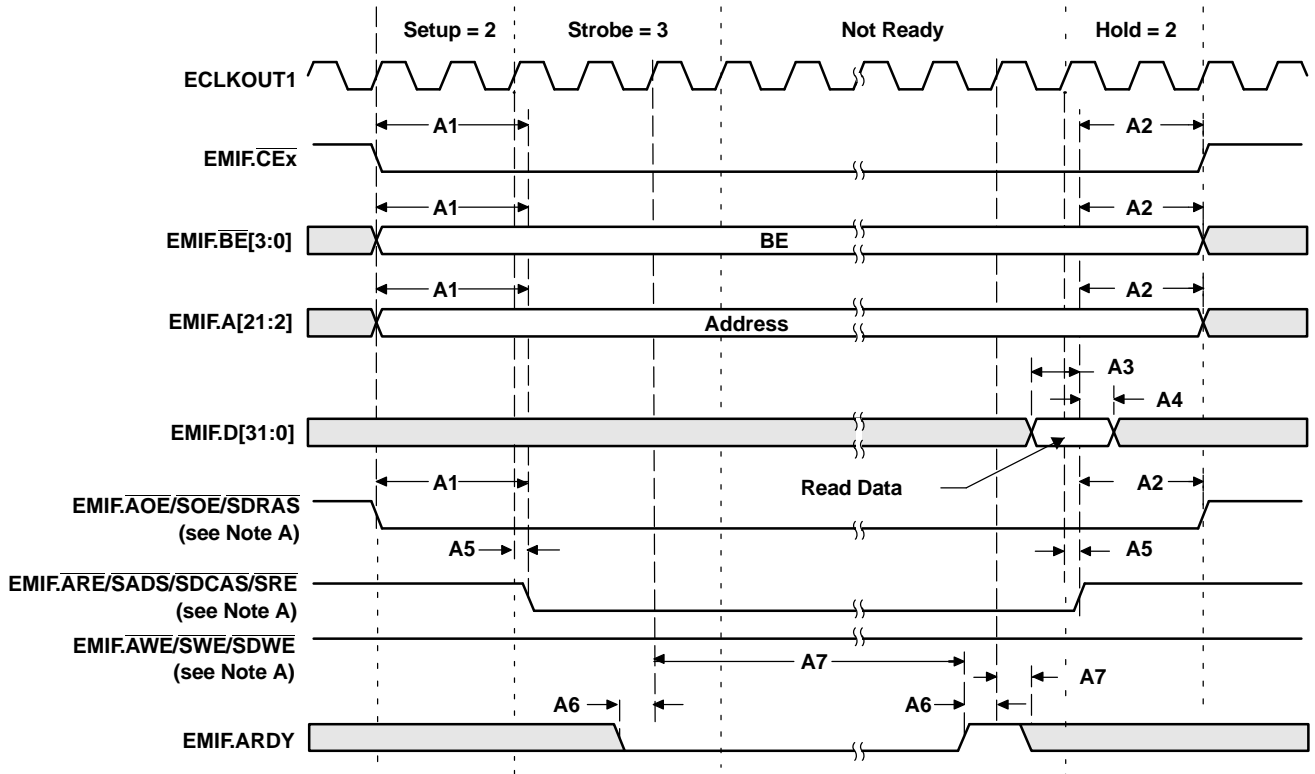
NO.			VC5502-200 VC5502-300		UNIT
			MIN	MAX	
A3	$t_{su(EDV-AREH)}$	Setup time, EMIF.Dx valid before EMIF. \overline{ARE} high	6		ns
A4	$t_{h(AREH-EDV)}$	Hold time, EMIF.Dx valid after EMIF. \overline{ARE} high	1		ns
A6	$t_{su(ARDY-EKO1H)}$	Setup time, EMIF.ARDY valid before ECLKOUT1 high	3.5		ns
A7	$t_{h(EKO1H-ARDY)}$	Hold time, EMIF.ARDY valid after ECLKOUT1 high	1		ns

- (1) To ensure data setup time, simply program the strobe width wide enough. EMIF.ARDY is internally synchronized. The EMIF.ARDY signal is recognized in the cycle for which the setup and hold time is met. To use EMIF.ARDY as an asynchronous input, the pulse width of the EMIF.ARDY signal should be wide enough (e.g., pulse width = 2E) to ensure setup and hold time is met.
- (2) RS = Read setup, RST = Read strobe, RH = Read hold, WS = Write setup, WST = Write strobe, WH = Write hold. These parameters are programmed via the EMIF CE space control registers.

Table 5-10. Asynchronous Memory Cycle Switching Characteristics for ECLKOUT1⁽¹⁾⁽²⁾⁽³⁾

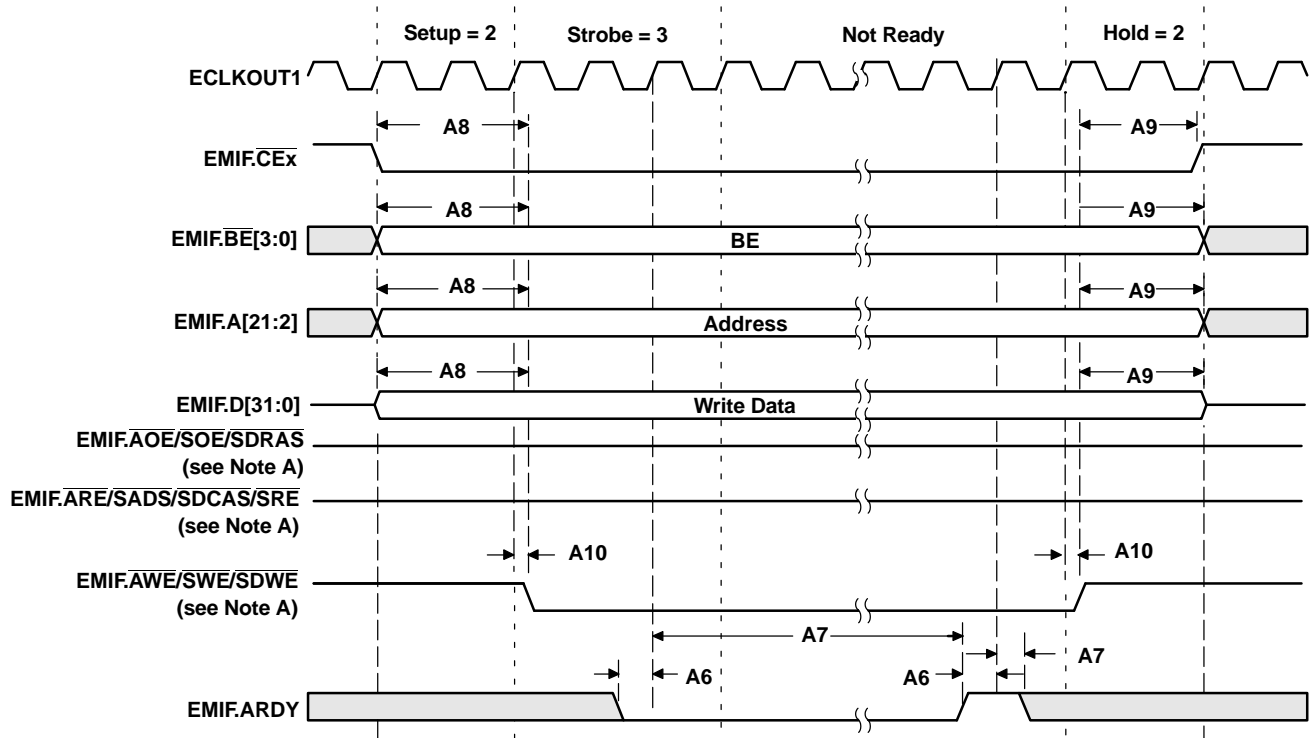
NO.	PARAMETER		VC5502-200 VC5502-300		UNIT
			MIN	MAX	
A1	$t_{osu(SELV-AREL)}$	Output setup time, select signals valid to EMIF. \overline{ARE} low	RS * E – 1.5		ns
A2	$t_{oh(AREH-SELIV)}$	Output hold time, EMIF. \overline{ARE} high to select signals invalid	RH * E – 1.5		ns
A5	$t_d(EKO1H-AREV)$	Delay time, ECLKOUT1 high to EMIF. \overline{ARE} valid	1.5	5	ns
A8	$t_{osu(SELV-AWEL)}$	Output setup time, select signals valid to EMIF. \overline{AWE} low	WS * E – 1.5		ns
A9	$t_{oh(AWEH-SELIV)}$	Output hold time, EMIF. \overline{AWE} high to select signals invalid	WH * E – 1.5		ns
A10	$t_d(EKO1H-AWEV)$	Delay time, ECLKOUT1 high to EMIF. \overline{AWE} valid	1.5	5	ns

- (1) RS = Read setup, RST = Read strobe, RH = Read hold, WS = Write setup, WST = Write strobe, WH = Write hold. These parameters are programmed via the EMIF CE space control registers.
- (2) E = ECLKOUT1 period in ns for EMIF.
- (3) Select signals for EMIF include: EMIF. \overline{CEx} , EMIF. $\overline{BE}[3:0]$, EMIF.A[21:2], and EMIF. \overline{AOE} ; and for EMIF writes, include EMIF.D[31:0].



A. EMIF.AOE/SOE/SDRAS, EMIF.ARE/SADS/SDCAS/SRE, and EMIF.AWE/SWE/SDWE operate as EMIF.AOE (identified under select signals), EMIF.ARE, and EMIF.AWE, respectively, during asynchronous memory accesses.

Figure 5-8. Asynchronous Memory Read Timings



A. EMIF.AOE/SOE/SDRAS, EMIF.ARE/SADS/SDCAS/SRE, and EMIF.AWE/SWE/SDWE operate as EMIF.AOE (identified under select signals), EMIF.ARE, and EMIF.AWE, respectively, during asynchronous memory accesses.

Figure 5-9. Asynchronous Memory Write Timings

5.7.2 Programmable Synchronous Interface Timings

Table 5-11 and Table 5-12 assume testing over recommended operating conditions (see Figure 5-10 through Figure 5-12).

Table 5-11. Programmable Synchronous Interface Timing Requirements

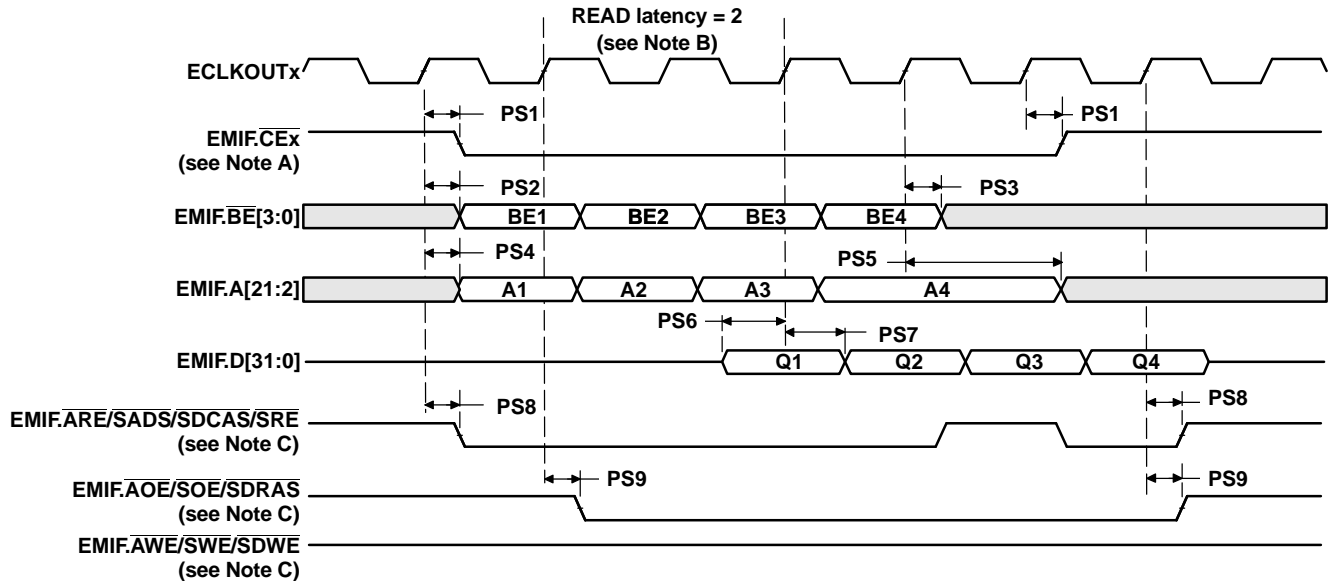
NO.			VC5502-200 VC5502-300		UNIT
			MIN	MAX	
PS6	$t_{su}(EDV-EKOxH)$	Setup time, read EMIF.Dx valid before ECLKOUTx high	2		ns
PS7	$t_h(EKOxH-EDV)$	Hold time, read EMIF.Dx valid after ECLKOUTx high	1.5		ns

Table 5-12. Programmable Synchronous Interface Switching Characteristics⁽¹⁾

NO.	PARAMETER		VC5502-200 VC5502-300		UNIT
			MIN	MAX	
PS1	$t_d(EKOxH-CEV)$	Delay time, ECLKOUTx high to EMIF. \overline{CEx} valid	0.8	7	ns
PS2	$t_d(EKOxH-BEV)$	Delay time, ECLKOUTx high to EMIF. \overline{BEx} valid		7	ns
PS3	$t_d(EKOxH-BEIV)$	Delay time, ECLKOUTx high to EMIF. \overline{BEx} invalid	0.8		ns
PS4	$t_d(EKOxH-EAV)$	Delay time, ECLKOUTx high to EMIF.Ax valid		7	ns
PS5	$t_d(EKOxH-EAIV)$	Delay time, ECLKOUTx high to EMIF.Ax invalid	0.8		ns
PS8	$t_d(EKOxH-ADSV)$	Delay time, ECLKOUTx high to EMIF. $\overline{SADS/SRE}$ valid	0.8	7	ns
PS9	$t_d(EKOxH-OEV)$	Delay time, ECLKOUTx high to, EMIF. \overline{SOE} valid	0.8	7	ns
PS10	$t_d(EKOxH-EDV)$	Delay time, ECLKOUTx high to EMIF.Dx valid		7	ns
PS11	$t_d(EKOxH-EDIV)$	Delay time, ECLKOUTx high to EMIF.Dx invalid	0.8		ns
PS12	$t_d(EKOxH-WEV)$	Delay time, ECLKOUTx high to EMIF. \overline{SWE} valid	0.8	7	ns

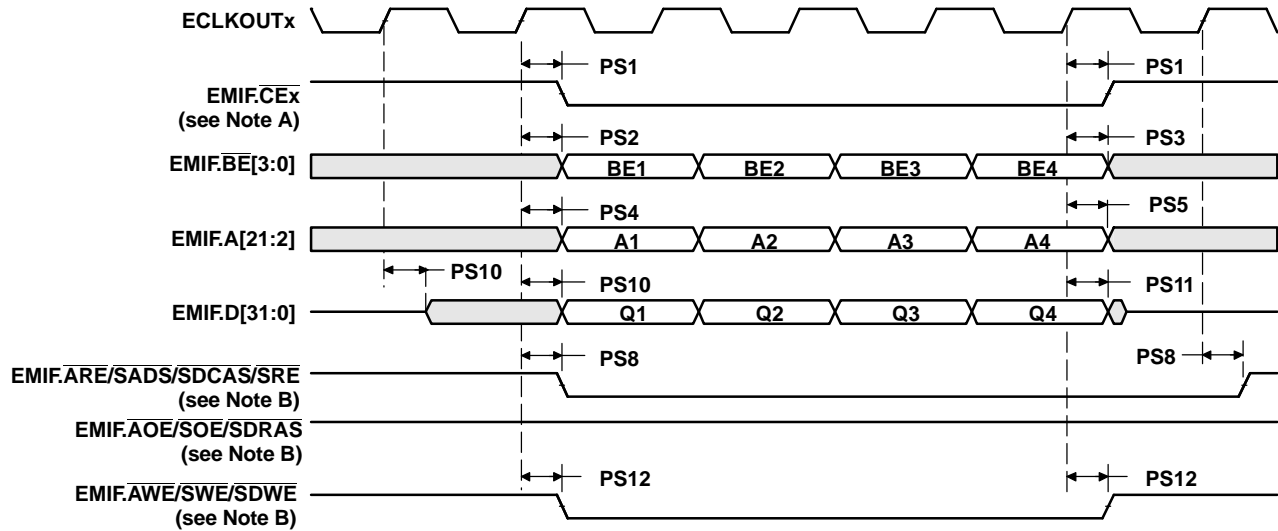
(1) The following parameters are programmable via the EMIF CE Secondary Control Registers (CEx_SC1, CEx_SC2):

- Read latency (SYNCRL): 0-, 1-, 2-, or 3-cycle read latency
- Write latency (SYNCWL): 0-, 1-, 2-, or 3-cycle write latency
- EMIF. \overline{CEx} assertion length (CEEXT): For standard SBSRAM or ZBT SRAM interface, EMIF. \overline{CEx} goes inactive after the final command has been issued (CEEXT = 0). For synchronous FIFO interface with glue, EMIF. \overline{CEx} is active when EMIF. \overline{SOE} is active (CEEXT = 1).
- Function of EMIF. $\overline{SADS/SRE}$ (RENEN): For standard SBSRAM or ZBT SRAM interface, EMIF. $\overline{SADS/SRE}$ acts as EMIF. \overline{SADS} with deselect cycles (RENEN = 0). For FIFO interface, EMIF. $\overline{SADS/SRE}$ acts as EMIF. \overline{SRE} with NO deselect cycles (RENEN = 1).
- Synchronization clock (SNCLK): Synchronized to ECLKOUT1 or ECLKOUT2



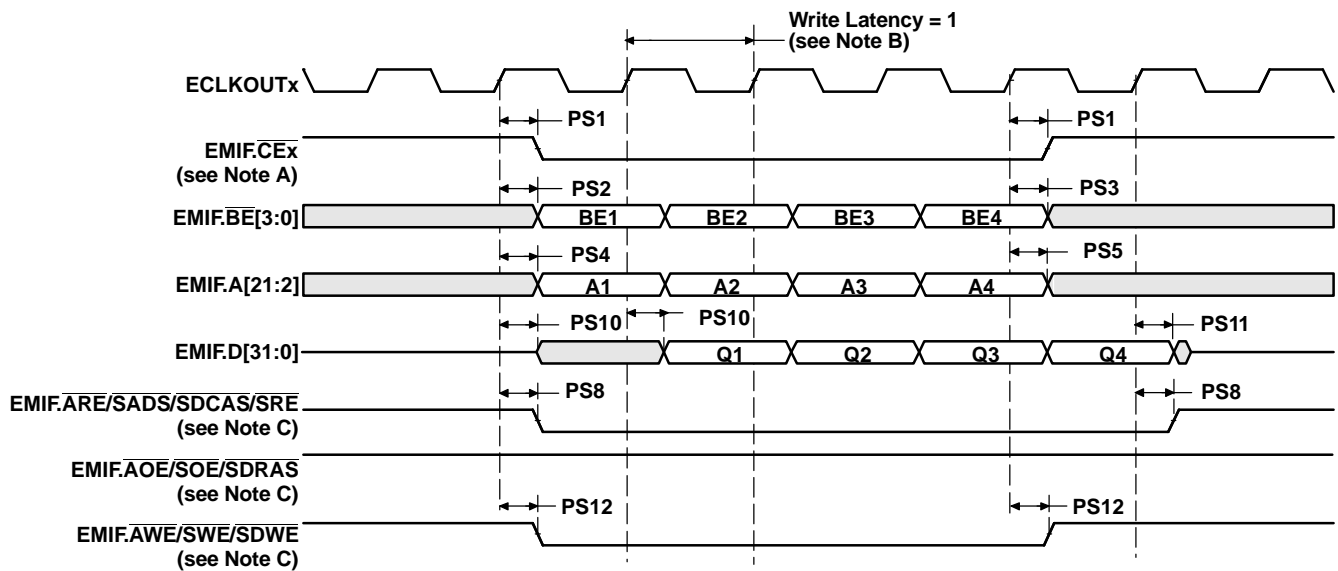
- A. The read latency and the length of EMIF.CEx assertion are programmable via the SYNCRL and CEEXT fields, respectively, in the EMIF CE Secondary Control Registers (CEX_SC1, CEX_SC2). In the figure, SYNCRL = 2 and CEEXT = 0.
- B. The following parameters are programmable via the EMIF CE Secondary Control Registers (CEX_SC1, CEX_SC2):
- Read latency (SYNCRL): 0-, 1-, 2-, or 3-cycle read latency
 - Write latency (SYNCWL): 0-, 1-, 2-, or 3-cycle write latency
 - EMIF.CEx assertion length (CEEXT): For standard SBSRAM or ZBT SRAM interface, EMIF.CEx goes inactive after the final command has been issued (CEEXT = 0). For synchronous FIFO interface with glue, EMIF.CEx is active when EMIF.SOE is active (CEEXT = 1).
 - Function of EMIF.SADS/SRE (RENEN): For standard SBSRAM or ZBT SRAM interface, EMIF.SADS/SRE acts as EMIF.SADS with deselection cycles (RENEN = 0). For FIFO interface, EMIF.SADS/SRE acts as EMIF.SRE with NO deselection cycles (RENEN = 1).
 - Synchronization clock (SNCCLK): Synchronized to ECLKOUT1 or ECLKOUT2
- C. EMIF.ARE/SADS/SDCAS/SRE, EMIF.AOE/SOE/SDRAS, and EMIF.AWE/SWE/SDWE operate as EMIF.SADS/SRE, EMIF.SOE, and EMIF.SWE, respectively, during programmable synchronous interface accesses.

Figure 5-10. Programmable Synchronous Interface Read Timings (With Read Latency = 2)



- A. The write latency and the length of EMIF.CEX assertion are programmable via the SYNCWL and CEEXT fields, respectively, in the EMIF CE Secondary Control Registers (CEX_SC1, CEX_SC2). In this figure, SYNCWL = 0 and CEEXT = 0.
- B. EMIF.ARE/SADS/SDCAS/SRE, EMIF.AOE/SOE/SDRAS, and EMIF.AWE/SWE/SDWE operate as EMIF.SADS/SRE, EMIF.SOE, and EMIF.SWE, respectively, during programmable synchronous interface accesses.

Figure 5-11. Programmable Synchronous Interface Write Timings (With Write Latency = 0)



- A. The write latency and the length of EMIF.CEX assertion are programmable via the SYNCWL and CEEXT fields, respectively, in the EMIF CE Secondary Control Registers (CEX_SC1, CEX_SC2). In this figure, SYNCWL = 1 and CEEXT = 0.
- B. The following parameters are programmable via the EMIF CE Secondary Control Registers (CEX_SC1, CEX_SC2):
- Read latency (SYNCRL): 0-, 1-, 2-, or 3-cycle read latency
 - Write latency (SYNCWL): 0-, 1-, 2-, or 3-cycle write latency
 - EMIF.CEX assertion length (CEEXT): For standard SBSRAM or ZBT SRAM interface, EMIF.CEX goes inactive after the final command has been issued (CEEXT = 0). For synchronous FIFO interface with glue, EMIF.CEX is active when EMIF.SOE is active (CEEXT = 1).
 - Function of EMIF.SADS/SRE (RENEN): For standard SBSRAM or ZBT SRAM interface, EMIF.SADS/SRE acts as EMIF.SADS with deselect cycles (RENEN = 0). For FIFO interface, EMIF.SADS/SRE acts as EMIF.SRE with NO deselect cycles (RENEN = 1).
 - Synchronization clock (SNCLK): Synchronized to ECLKOUT1 or ECLKOUT2
- C. EMIF.ARE/SADS/SDCAS/SRE, EMIF.AOE/SOE/SDRAS, and EMIF.AWE/SWE/SDWE operate as EMIF.SADS/SRE, EMIF.SOE, and EMIF.SWE, respectively, during programmable synchronous interface accesses.

Figure 5-12. Programmable Synchronous Interface Write Timings (With Write Latency = 1)

5.7.3 Synchronous DRAM Timings

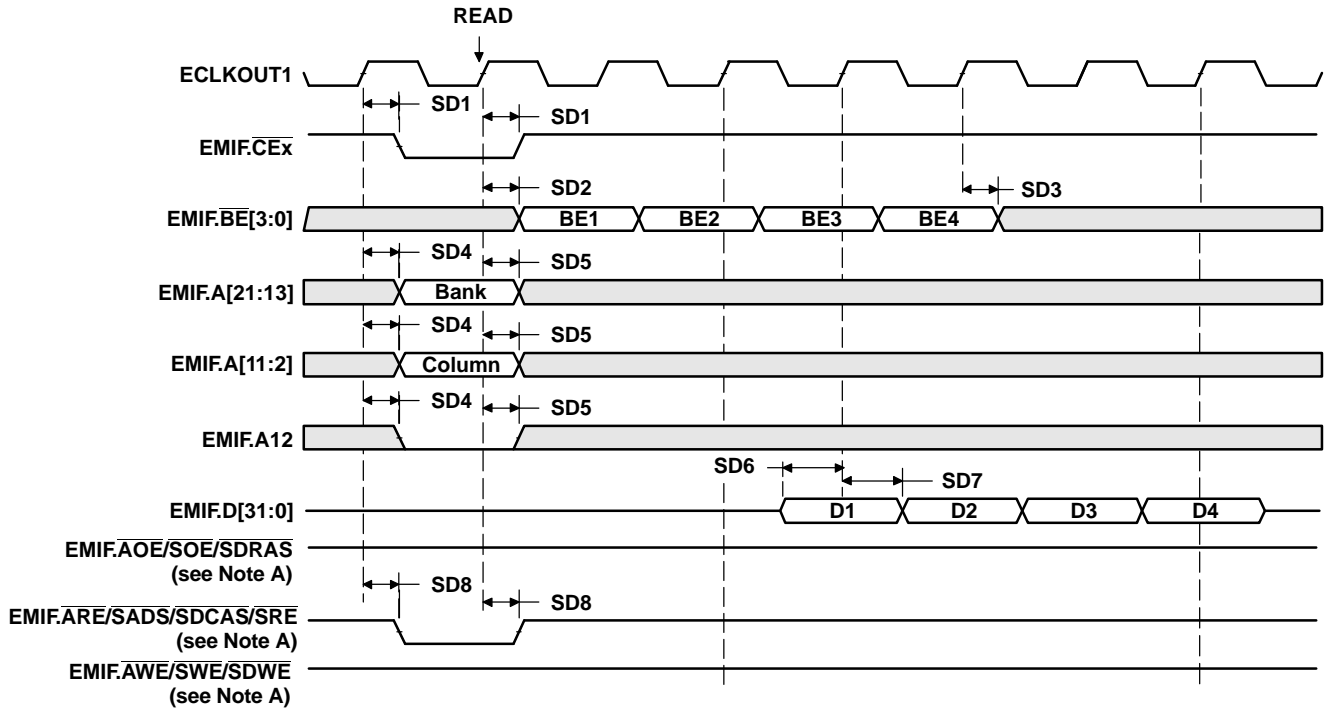
Table 5-13 and Table 5-14 assume testing over recommended operating conditions (see Figure 5-13 through Figure 5-20).

Table 5-13. Synchronous DRAM Cycle Timing Requirements

NO.			VC5502-200 VC5502-300		UNIT
			MIN	MAX	
SD6	$t_{su(EDV-EKO1H)}$	Setup time, read EMIF.Dx valid before ECLKOUT1 high	2		ns
SD7	$t_{h(EKO1H-EDV)}$	Hold time, read EMIF.Dx valid after ECLKOUT1 high	2		ns

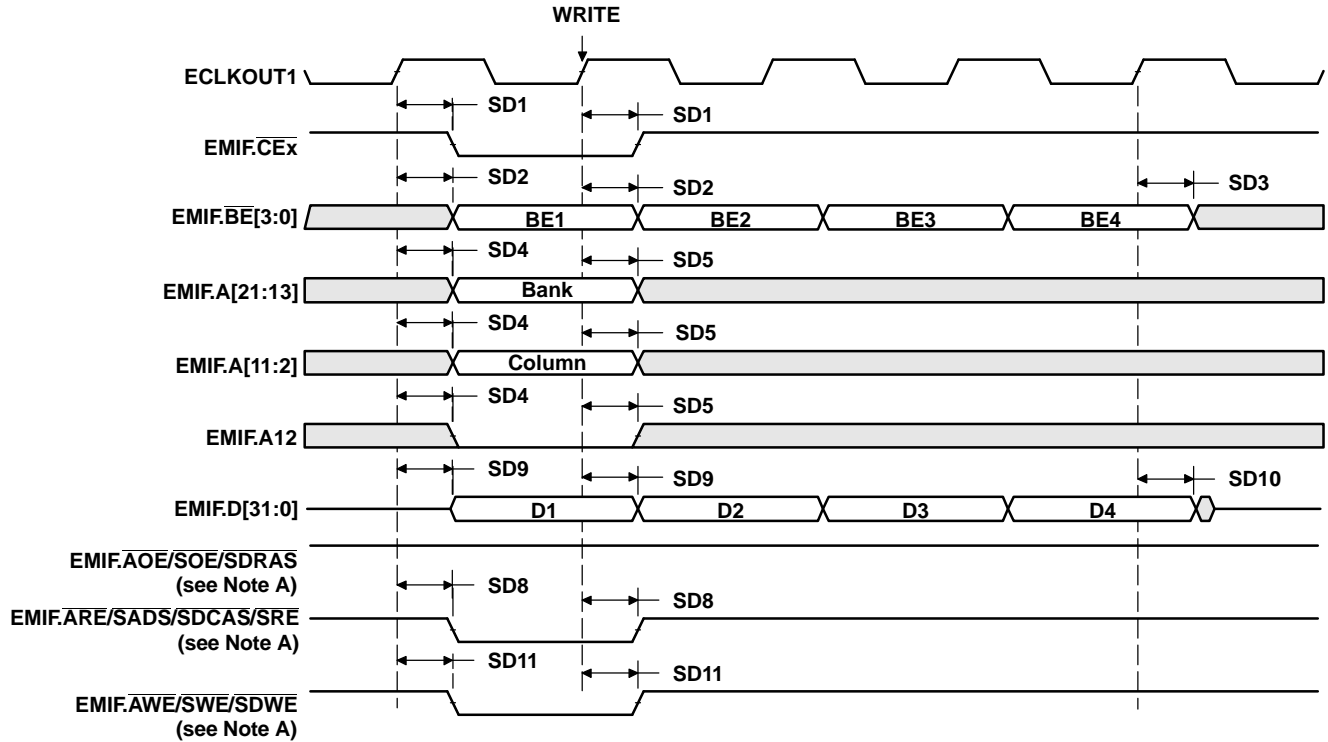
Table 5-14. Synchronous DRAM Cycle Switching Characteristics

NO.	PARAMETER		VC5502-200 VC5502-300		UNIT
			MIN	MAX	
SD1	$t_{d(EKO1H-CEV)}$	Delay time, ECLKOUT1 high to EMIF. \overline{CEx} valid/invalid	0.8	7	ns
SD2	$t_{d(EKO1H-BEV)}$	Delay time, ECLKOUT1 high to EMIF. \overline{BEx} valid		7	ns
SD3	$t_{d(EKO1H-BEIV)}$	Delay time, ECLKOUT1 high to EMIF. \overline{BEx} invalid	0.8		ns
SD4	$t_{d(EKO1H-EAV)}$	Delay time, ECLKOUT1 high to EMIF.Ax valid		7	ns
SD5	$t_{d(EKO1H-EAIV)}$	Delay time, ECLKOUT1 high to EMIF.Ax invalid	0.8		ns
SD8	$t_{d(EKO1H-CASV)}$	Delay time, ECLKOUT1 high to EMIF. \overline{SDCAS} valid	0.8	7	ns
SD9	$t_{d(EKO1H-EDV)}$	Delay time, ECLKOUT1 high to EMIF.Dx valid		7	ns
SD10	$t_{d(EKO1H-EDIV)}$	Delay time, ECLKOUT1 high to EMIF.Dx invalid	0.8		ns
SD11	$t_{d(EKO1H-WEV)}$	Delay time, ECLKOUT1 high to EMIF. \overline{SDWE} valid	0.8	7	ns
SD12	$t_{d(EKO1H-RASV)}$	Delay time, ECLKOUT1 high to EMIF. \overline{SDRAS} valid	0.8	7	ns
SD13	$t_{d(EKO1H-CKEV)}$	Delay time, ECLKOUT1 high to EMIF.SDCKE valid	0.8	7	ns



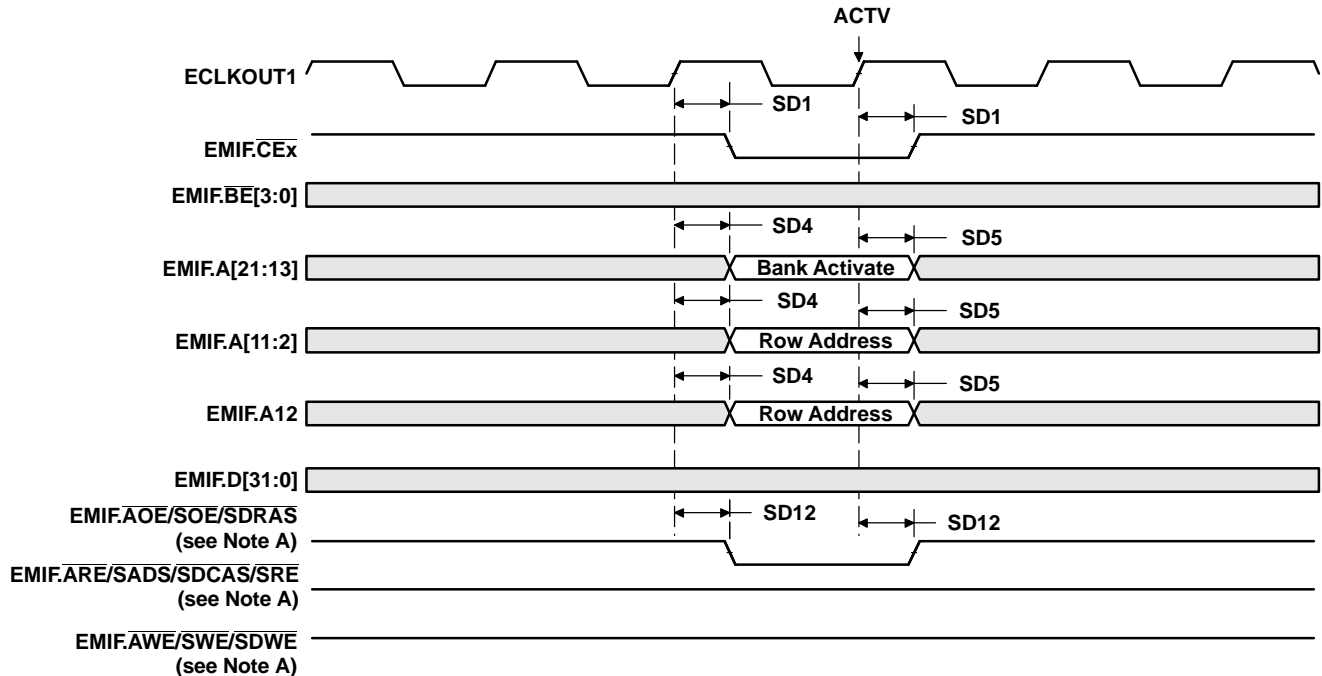
A. EMIF.ARE/SADS/SDCAS/SRE, EMIF.AWE/SWE/SDWE, and EMIF.AOE/SOE/SDRAS operate as EMIF.SDCAS, EMIF.SDWE, and EMIF.SDRAS, respectively, during SDRAM accesses.

Figure 5-13. SDRAM Read Command (CAS Latency 3)



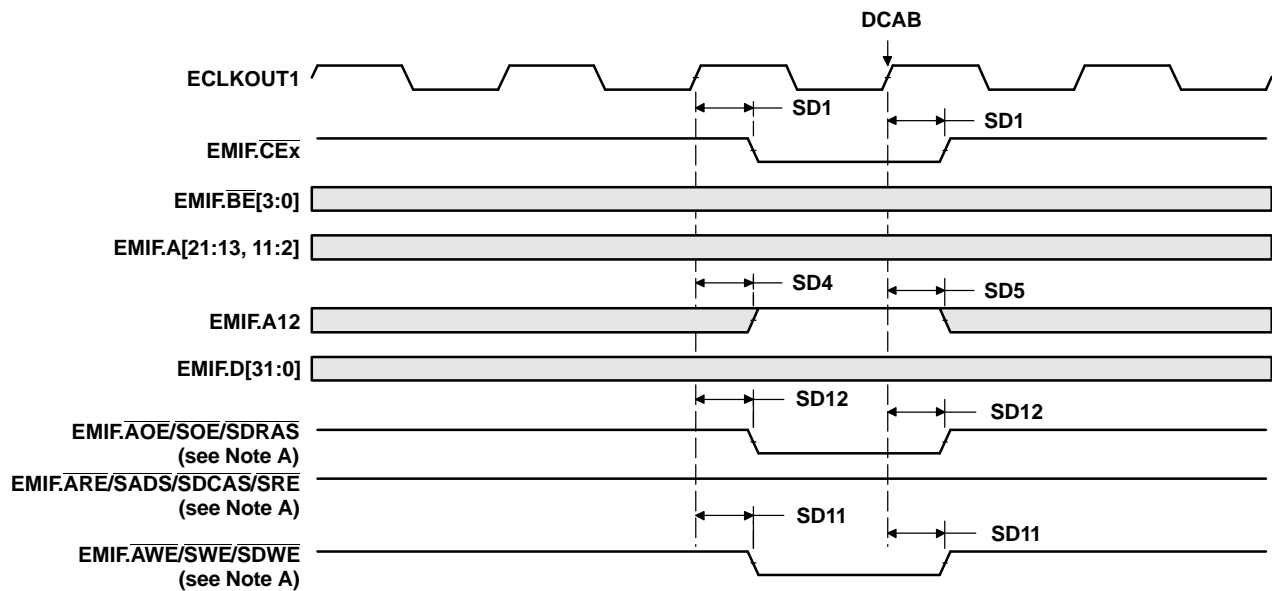
A. EMIF.ARE/SADS/SDCAS/SRE, EMIF.AWE/SWE/SDWE, and EMIF.AOE/SOE/SDRAS operate as EMIF.SDCAS, EMIF.SDWE, and EMIF.SDRAS, respectively, during SDRAM accesses.

Figure 5-14. SDRAM Write Command



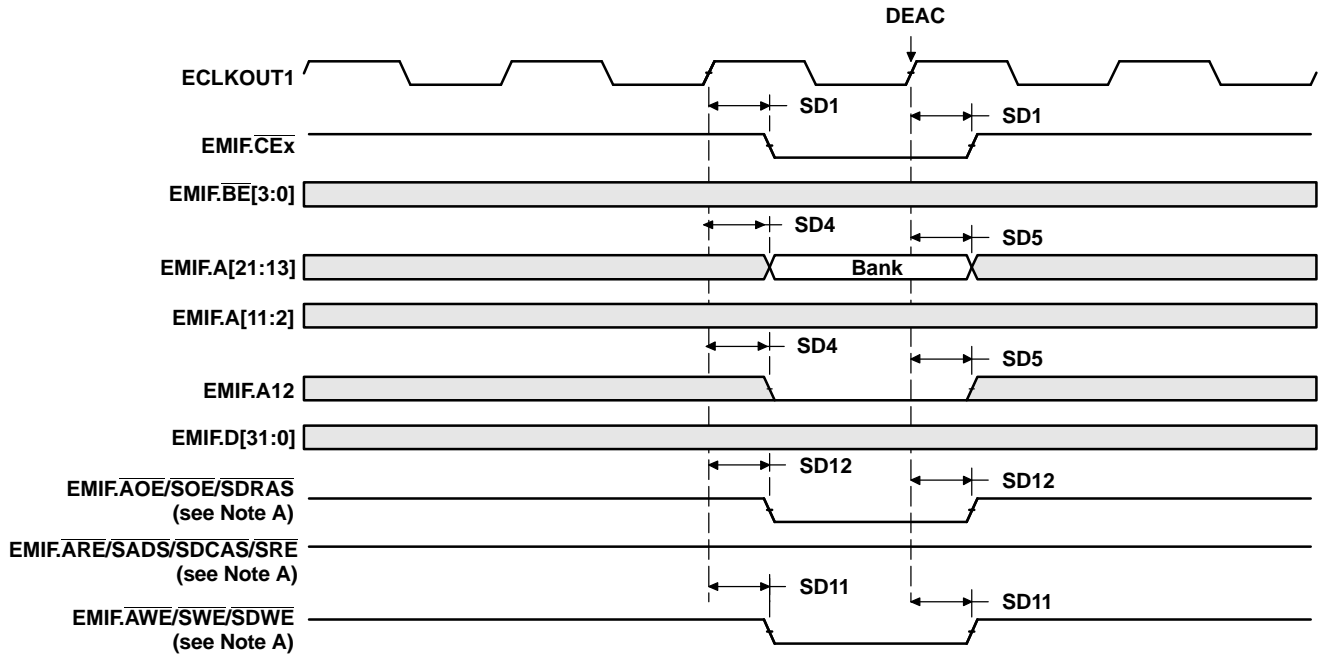
- A. EMIF.ARE/SADS/SDCAS/SRE, EMIF.AWE/SWE/SDWE, and EMIF.AOE/SOE/SDRAS operate as EMIF.SDCAS, EMIF.SDWE, and EMIF.SDRAS, respectively, during SDRAM accesses.

Figure 5-15. SDRAM ACTV Command



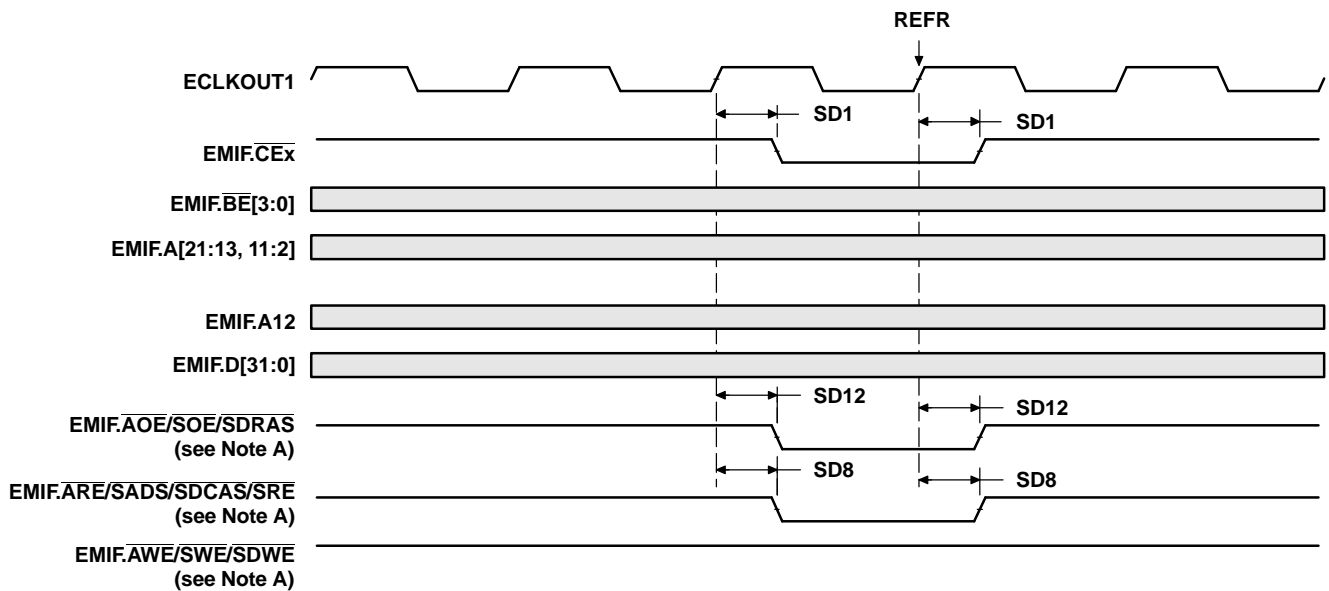
- A. EMIF.ARE/SADS/SDCAS/SRE, EMIF.AWE/SWE/SDWE, and EMIF.AOE/SOE/SDRAS operate as EMIF.SDCAS, EMIF.SDWE, and EMIF.SDRAS, respectively, during SDRAM accesses.

Figure 5-16. SDRAM DCAB Command



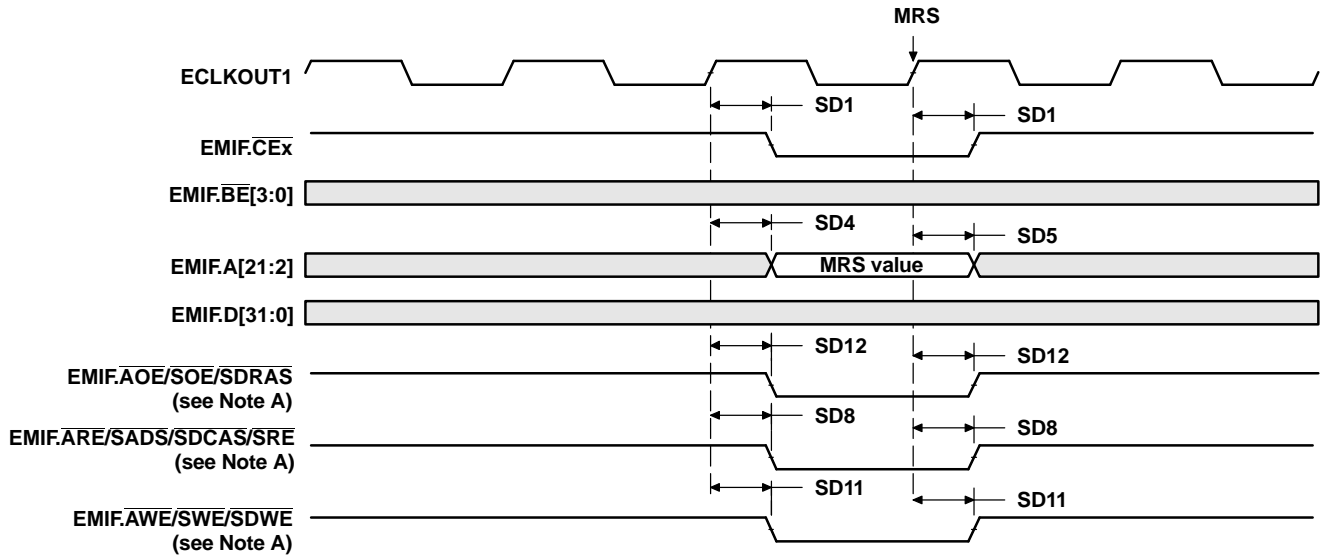
- A. EMIF.ARE/SADS/SDCAS/SRE, EMIF.AWE/SWE/SDWE, and EMIF.AOE/SOE/SDRAS operate as EMIF.SDCAS, EMIF.SDWE, and EMIF.SDRAS, respectively, during SDRAM accesses.

Figure 5-17. SDRAM DEAC Command



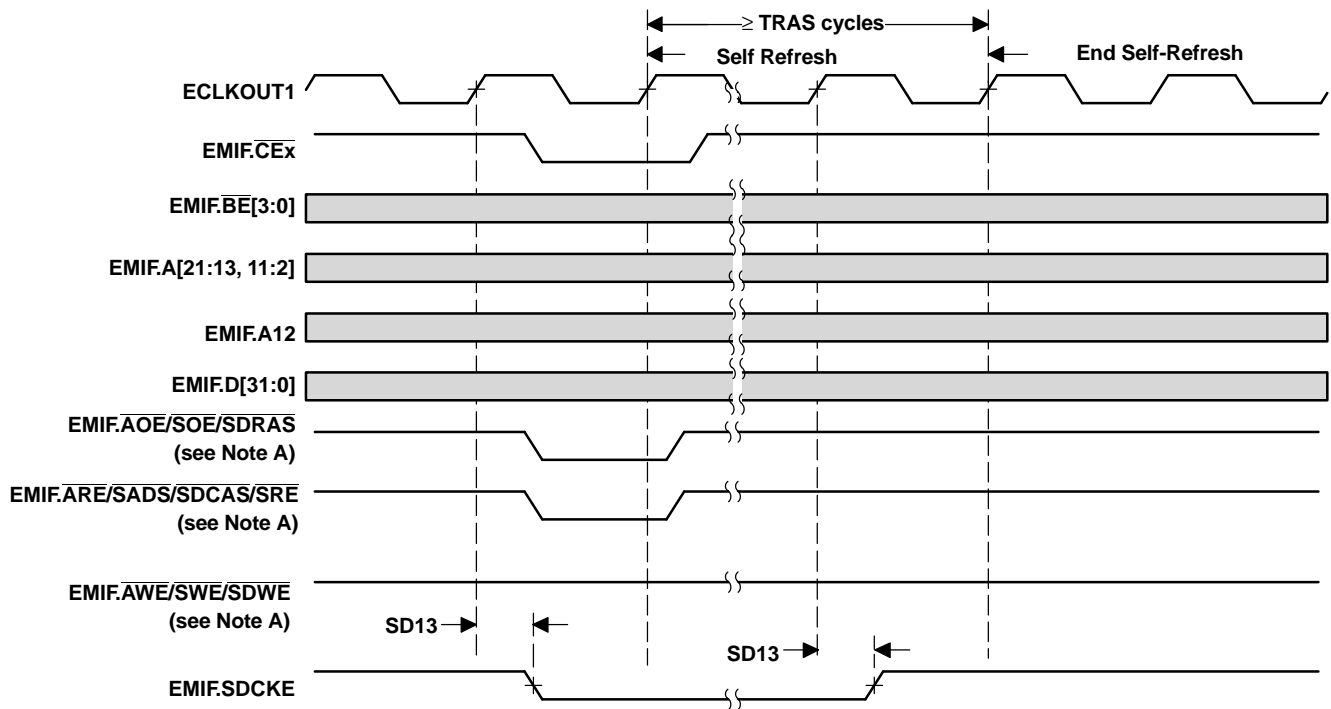
- A. EMIF.ARE/SADS/SDCAS/SRE, EMIF.AWE/SWE/SDWE, and EMIF.AOE/SOE/SDRAS operate as EMIF.SDCAS, EMIF.SDWE, and EMIF.SDRAS, respectively, during SDRAM accesses.

Figure 5-18. SDRAM REFR Command



A. EMIF.ARE/SADS/SDCAS/SRE, EMIF.AWE/SWE/SDWE, and EMIF.AOE/SOE/SDRAS operate as EMIF.SDCAS, EMIF.SDWE, and EMIF.SDRAS, respectively, during SDRAM accesses.

Figure 5-19. SDRAM MRS Command



A. EMIF.ARE/SADS/SDCAS/SRE, EMIF.AWE/SWE/SDWE, and EMIF.AOE/SOE/SDRAS operate as EMIF.SDCAS, EMIF.SDWE, and EMIF.SDRAS, respectively, during SDRAM accesses.

Figure 5-20. SDRAM Self-Refresh Timings

5.8 HOLD/HOLDA Timings

Table 5-15 and Table 5-16 assume testing over recommended operating conditions (see Figure 5-21).

Table 5-15. EMIF.HOLD/HOLDA Timing Requirements⁽¹⁾

NO.		VC5502-200 VC5502-300		UNIT
		MIN	MAX	
H3	$t_{oh}(\text{HOLDAL-HOLDL})$ Hold time, EMIF.HOLD low after EMIF.HOLDA low	E		ns

(1) E = the EMIF input clock (ECLKIN, CPU/1 clock, CPU/2 clock, or CPU/4 clock) period in ns for EMIF.

Table 5-16. EMIF.HOLD/HOLDA Switching Characteristics⁽¹⁾⁽²⁾⁽³⁾

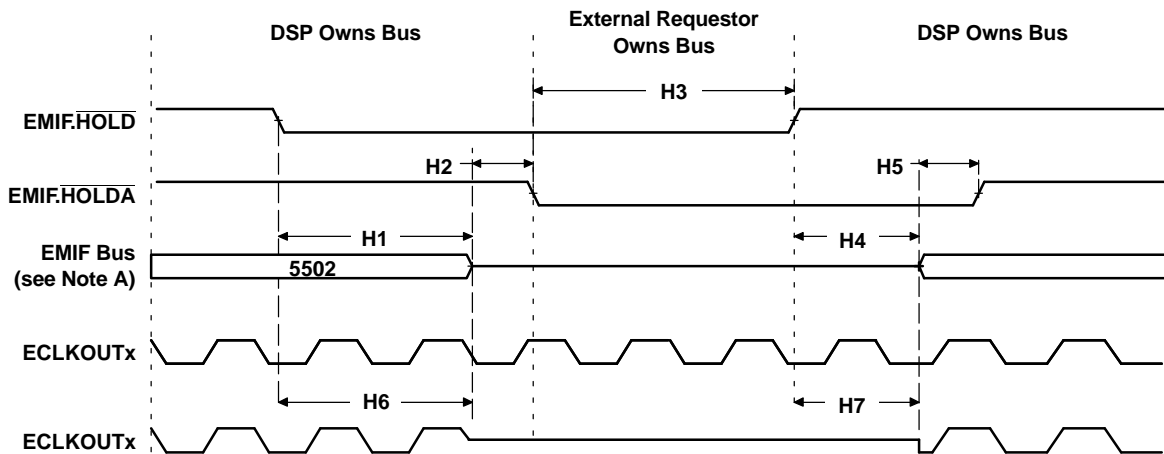
NO.s	PARAMETER	VC5502-200 VC5502-300		UNIT
		MIN	MAX	
H1	$t_{d}(\text{HOLDL-EMHZ})$ Delay time, EMIF.HOLD low to EMIF Bus high impedance	4E	⁽⁴⁾	ns
H2	$t_{d}(\text{EMHZ-HOLDAL})$ Delay time, EMIF Bus high impedance to EMIF.HOLDA low	0	2E	ns
H4	$t_{d}(\text{HOLDH-EMLZ})$ Delay time, EMIF.HOLD high to EMIF Bus low impedance	2E	7E	ns
H5	$t_{d}(\text{EMLZ-HOLDAH})$ Delay time, EMIF Bus low impedance to EMIF.HOLDA high	0	2E	ns
H6	$t_{d}(\text{HOLDL-EKOHZ})$ Delay time, EMIF.HOLD low to ECLKOUTx high impedance	4E	⁽⁴⁾	ns
H7	$t_{d}(\text{HOLDH-EKOLZ})$ Delay time, EMIF.HOLD high to ECLKOUTx low impedance	2E	7E	ns

(1) E = the EMIF input clock (ECLKIN, CPU/1 clock, CPU/2 clock, or CPU/4 clock) period in ns for EMIF.

(2) EMIF Bus consists of: EMIF.CE[3:0], EMIF.BE[3:0], EMIF.D[31:0], EMIF.A[21:2], EMIF.ARE/SADS/SDCAS/SRE, EMIF.AOE/SOE/SDRAS, EMIF.AWE/SWE/SDWE, EMIF.SDCKE, and EMIF.SOE3.

(3) The EKxHZ bits in the EMIF Global Control Registers (EGCR1, EGCR2) determine the state of the ECLKOUTx signals during EMIF.HOLDA. If EKxHZ = 0, ECLKOUTx continues clocking during Hold mode. If EKxHZ = 1, ECLKOUTx goes to high impedance during Hold mode, as shown in Figure 5-21.

(4) All pending EMIF transactions are allowed to complete before EMIF.HOLDA is asserted. If no bus transactions are occurring, then the minimum delay time can be achieved. Also, bus hold can be indefinitely delayed by setting NOHOLD = 1.



A. EMIF Bus consists of: EMIF.CE[3:0], EMIF.BE[3:0], EMIF.D[31:0], EMIF.A[21:2], EMIF.ARE/SADS/SDCAS/SRE, EMIF.AOE/SOE/SDRAS, EMIF.AWE/SWE/SDWE, EMIF.SDCKE, and EMIF.SOE3.

Figure 5-21. EMIF.HOLD/HOLDA Timings

5.9 Reset Timings

Table 5-17 and Table 5-18 assume testing over recommended operating conditions (see Figure 5-22).

Table 5-17. Reset Timing Requirements⁽¹⁾

NO.		VC5502-200 VC5502-300		UNIT
		MIN	MAX	
R1	$t_{w(RSL)}$ Pulse width, \overline{RESET} low	2P + 5		ns

(1) P = the period of the clock on the X2/CLKIN pin in ns. For example, when using 20 MHz as the input clock, use P = 50 ns.

Table 5-18. Reset Switching Characteristics⁽¹⁾

NO.	PARAMETER		VC5502-200 VC5502-300		UNIT
			MIN	MAX	
R2	$t_{d(RSL-EMIFHZ)}$	Delay time, \overline{RESET} low to EMIF group high impedance ⁽²⁾	12		ns
R3	$t_{d(RSH-EMIFV)}$	Delay time, \overline{RESET} high to EMIF group valid ⁽²⁾	GPI04 = 0 (CLKMOD = 0)	41115P + 21	ns
			GPI04 = 1 (CLKMOD = 1)	148P + 22	
R4	$t_{d(RSL-HIGHIV)}$	Delay time, \overline{RESET} low to high group invalid ⁽³⁾	12		ns
R5	$t_{d(RSH-HIGHV)}$	Delay time, \overline{RESET} high to high group valid ⁽³⁾	GPI04 = 0 (CLKMOD = 0)	41044P + 17	ns
			GPI04 = 1 (CLKMOD = 1)	77P + 18	
R6	$t_{d(RSL-ZHZ)}$	Delay time, \overline{RESET} low to Z group high impedance ⁽⁴⁾	10		ns
R7	$t_{d(RSH-ZV)}$	Delay time, \overline{RESET} high to Z group invalid ⁽⁴⁾	GPI04 = 0 (CLKMOD = 0)	41044P + 18	ns
			GPI04 = 1 (CLKMOD = 1)	77P + 19	
R8	$t_{d(RSL-IOIM)}$	Delay time, \overline{RESET} low to Input/Output group switch to input mode ⁽⁵⁾	13		ns
R9	$t_{d(RSL-TGLD)}$	Delay time, \overline{RESET} low to Toggle group switch to default toggle frequency ⁽⁶⁾	11 + 14P		ns

(1) P = the period of the clock on the X2/CLKIN pin in ns. For example, when using 20 MHz as the input clock, use P = 50 ns.

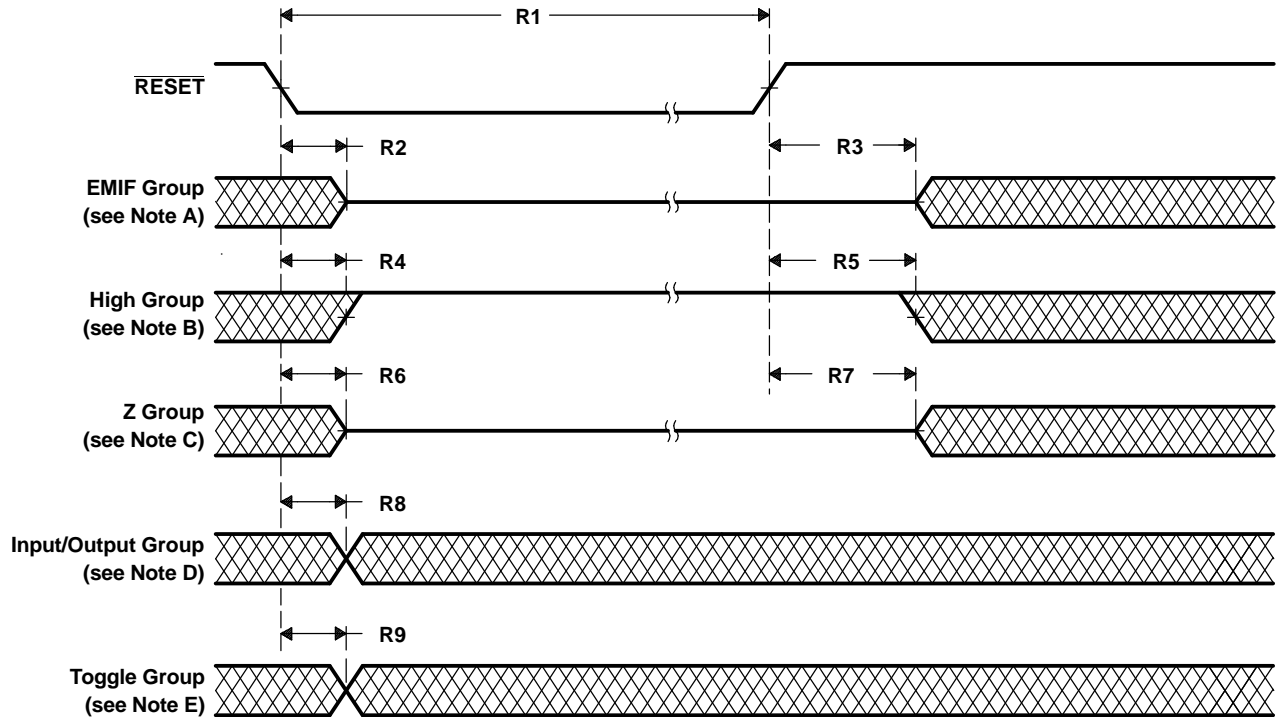
(2) EMIF group: EMIF.A[21:2], EMIF.ARE/SADS/SDCAS/SRE, EMIF.AOE/SOE/SDRAS, EMIF.AWE/SWE/SDWE, EMIF.ARDY, EMIF.CE0, EMIF.CE1, EMIF.CE2, EMIF.CE3, EMIF.BE0, EMIF.BE1, EMIF.BE2, EMIF.BE3, EMIF.SDCKE, EMIF.SOE3, EMIF.HOLD, EMIF.HOLDA, ECLKOUT1. EMIF.ARDY and EMIF.HOLDA do not go to a high-impedance state during reset since they are input-only signals; they are included here simply for completeness.

(3) High group: \overline{ACK} , XF, SCL (assumes external pullup on pin), SDA (assumes external pullup on pin), UART.TX, TDO.

(4) Z group: HRDY, \overline{HINT} , DX2, DX1, DX0

(5) Input/Output group: PGPI0[45:0], HPI.HA[15:0], HPI.HD[15:0], EMIF.D[31:0], HPI.HAS, HPI.HBIL, HCNTL1, HCNTL0, \overline{HCS} , R \overline{W} , HDS1, HDS2, NMI/WDTOUT, GPIO[7:0], TIM0, TIM1, CLKR0, CLKX0, FSR0, FSX0, CLKR1, CLKX1, FSR1, FSX1, CLKR2, CLKX2, FSR2, FSX2, EMU0, EMU1/OFF. Signals in this group switch to input mode with reset.

(6) Toggle group: ECLKOUT2, CLKOUT. Pins in this group toggle with a default frequency during reset.



- A. EMIF group: EMIF.A[21:2], EMIF.ARE/SADS/SDCAS/SRE, EMIF.AOE/SOE/SDRAS, EMIF.AWE/SWE/SDWE, EMIF.ARDY, EMIF.CE0, EMIF.CE1, EMIF.CE2, EMIF.CE3, EMIF.BE0, EMIF.BE1, EMIF.BE2, EMIF.BE3, EMIF.SDCKE, EMIF.SOE3, EMIF.HOLD, EMIF.HOLDA, ECLKOUT1.
EMIF.ARDY and EMIF.HOLDA do not go to a high-impedance state during reset since they are input-only signals; they are included here simply for completeness.
- B. High group: $\overline{\text{ACK}}$, XF, SCL (assumes external pullup on pin), SDA (assumes external pullup on pin), UART.TX, TDO.
- C. Z group: HRDY, $\overline{\text{HINT}}$, DX2, DX1, DX0
- D. Input/Output group: PGPIO[45:0], HPI.HA[15:0], HPI.HD[15:0], EMIF.D[31:0], HPI.HAS, HPI.HBIL, HCNTL1, HCNTL0, $\overline{\text{HCS}}$, R/W, $\overline{\text{HDS1}}$, $\overline{\text{HDS2}}$, $\overline{\text{NMI}}$ /WDTOUT, GPIO[7:0], TIM0, TIM1, CLKR0, CLKX0, FSR0, FSX0, CLKR1, CLKX1, FSR1, FSX1, CLKR2, CLKX2, FSR2, FSX2, EMU0, EMU1/ $\overline{\text{OFF}}$. Signals in this group switch to input mode with reset.
- E. Toggle group: ECLKOUT2, CLKOUT. Pins in this group toggle with a default frequency during reset.

Figure 5-22. Reset Timings

5.10 External Interrupt and Interrupt Acknowledge ($\overline{\text{IACK}}$) Timings

Table 5-19 and Table 5-20 assume testing over recommended operating conditions (see Figure 5-23 and Figure 5-24).

Table 5-19. External Interrupt and Interrupt Acknowledge Timing Requirements

NO.			VC5502-200 VC5502-300		UNIT
			MIN	MAX	
I1	$t_{w(\text{INTL})A}$	Pulse width, interrupt low, CPU active	3P ⁽¹⁾		ns
I2	$t_{w(\text{INTH})A}$	Pulse width, interrupt high, CPU active	1P ⁽¹⁾		ns

(1) P = 1/CPU clock frequency in ns. For example, when running parts at 300 MHz, use P = 3.33 ns.

Table 5-20. External Interrupt and Interrupt Acknowledge Switching Characteristics

NO.	PARAMETER	VC5502-200 VC5502-300		UNIT
		MIN	MAX	
I3	$t_{d(\text{COH-IACKV})}$ Delay time, CLKOUT high to $\overline{\text{IACK}}$ valid ⁽¹⁾	0	8	ns

(1) In this case, CLKOUT refers to the CPU clock. Since CLKOUT cannot be programmed to reflect the CPU clock, there might be an extra delay of a certain number of CPU clocks based on the ratio between the system clock shown on CLKOUT and the CPU clock. For example, if SYSCLK2 is shown on CLKOUT and SYSCLK2 is programmed to be half the CPU clock, there might be an extra delay of one CPU clock period between the transition of CLKOUT and the specified timing. If system clock is programmed to be one-fourth of the CPU clock, there might be an extra delay of 1, 2, or 3 CPU clocks between the transition of CLKOUT and the specified timing. The extra delay must be taken into account when considering the MAX value for the timing under question. Note that if the CPU clock and the system clock shown on CLKOUT are operating at the same frequency, there will be no extra delay in the specified timing.

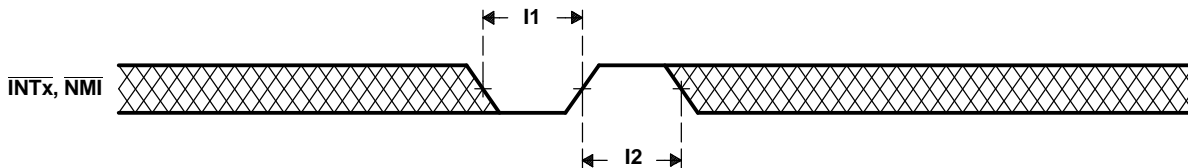
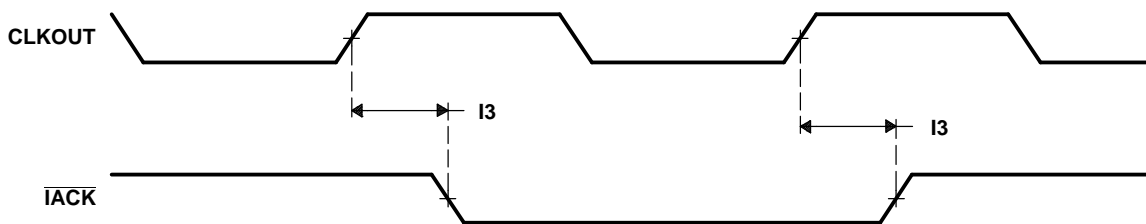


Figure 5-23. External Interrupt Timings



(A) The figure shows the case in which CLKOUT is programmed to show a system clock that is operating at the same frequency as the CPU clock.

Figure 5-24. External Interrupt Acknowledge Timings

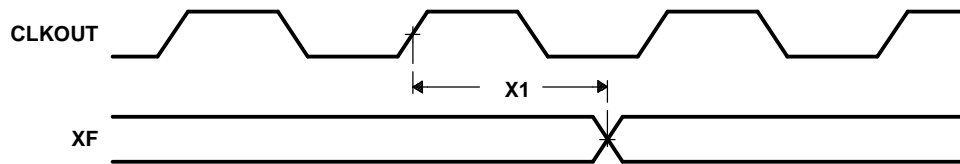
5.11 XF Timings

Table 5-21 assumes testing over recommended operating conditions (see Figure 5-25).

Table 5-21. XF Switching Characteristics

NO.	PARAMETER		VC5502-200 VC5502-300		UNIT
			MIN	MAX	
X1	$t_{d(XF)}$	Delay time, CLKOUT high to XF high ⁽¹⁾	0	5	ns
		Delay time, CLKOUT high to XF low ⁽¹⁾	0	6	

- (1) In this case, CLKOUT refers to the CPU clock. Since CLKOUT cannot be programmed to reflect the CPU clock, there might be an extra delay of a certain number of CPU clocks based on the ratio between the system clock shown on CLKOUT and the CPU clock. For example, if SYSCLK2 is shown on CLKOUT and SYSCLK2 is programmed to be half the CPU clock, there might be an extra delay of one CPU clock period between the transition of CLKOUT and the specified timing. If system clock is programmed to be one-fourth of the CPU clock, there might be an extra delay of 1, 2, or 3 CPU clocks between the transition of CLKOUT and the specified timing. The extra delay must be taken into account when considering the MAX value for the timing under question. Note that if the CPU clock and the system clock shown on CLKOUT are operating at the same frequency, there will be no extra delay in the specified timing.



- (A) The figure shows the case in which CLKOUT is programmed to show a system clock that is operating at the same frequency as the CPU clock.

Figure 5-25. XF Timings

5.12 General-Purpose Input/Output (GPIOx) Timings

Table 5-22 and Table 5-23 assume testing over recommended operating conditions(see Figure 5-26).

Table 5-22. GPIO Pins Configured as Inputs Timing Requirements

NO.			VC5502-200 VC5502-300		UNIT
			MIN	MAX	
G2	$t_{su}(GPIO-COH)$	Setup time, GPIOx input valid before CLKOUT high ⁽¹⁾	5		ns
G3	$t_h(COH-GPIO)$	Hold time, GPIOx input valid after CLKOUT high ⁽¹⁾	0		ns

(1) In this case, CLKOUT reflects SYSCLK1. The CLKOUT Selection Register (CLKOUTSR) can be programmed to select SYSCLK1 as CLKOUT.

Table 5-23. GPIO Pins Configured as Outputs Switching Characteristics

NO.	PARAMETER	VC5502-200 VC5502-300		UNIT
		MIN	MAX	
G1	$t_d(COH-GPIO)$	0	8	ns

(1) In this case, CLKOUT reflects SYSCLK1. The CLKOUT Selection Register (CLKOUTSR) can be programmed to select SYSCLK1 as CLKOUT.

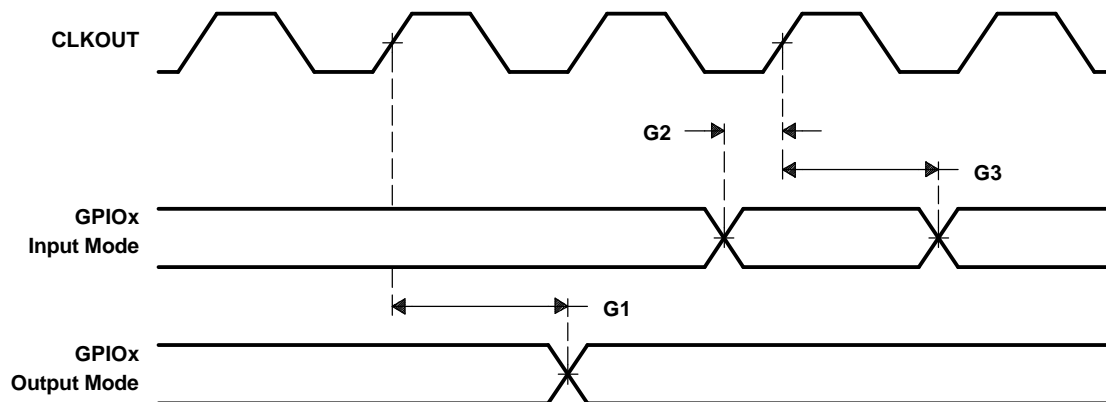


Figure 5-26. General-Purpose Input/Output (GPIOx) Signal Timings

5.13 Parallel General-Purpose Input/Output (PGPIOx) Timings

Table 5-24 and Table 5-25 assume testing over recommended operating conditions(see Figure 5-27).

Table 5-24. PGPIO Pins Configured as Inputs Timing Requirements

NO.			VC5502-200 VC5502-300		UNIT
			MIN	MAX	
PG2	$t_{su}(PGPIO-COH)$	Setup time, PGPIOx input valid before CLKOUT high ⁽¹⁾	6		ns
PG3	$t_h(COH-PGPIO)$	Hold time, PGPIOx input valid after CLKOUT high ⁽¹⁾	0		ns

(1) In this case, CLKOUT reflects SYSCLK1. The CLKOUT Selection Register (CLKOUTSR) can be programmed to select SYSCLK1 as CLKOUT.

Table 5-25. PGPIO Pins Configured as Outputs Switching Characteristics

NO.	PARAMETER	VC5502-200 VC5502-300		UNIT
		MIN	MAX	
PG1	$t_d(COH-PGPIO)$	0	10	ns

(1) In this case, CLKOUT reflects SYSCLK1. The CLKOUT Selection Register (CLKOUTSR) can be programmed to select SYSCLK1 as CLKOUT.

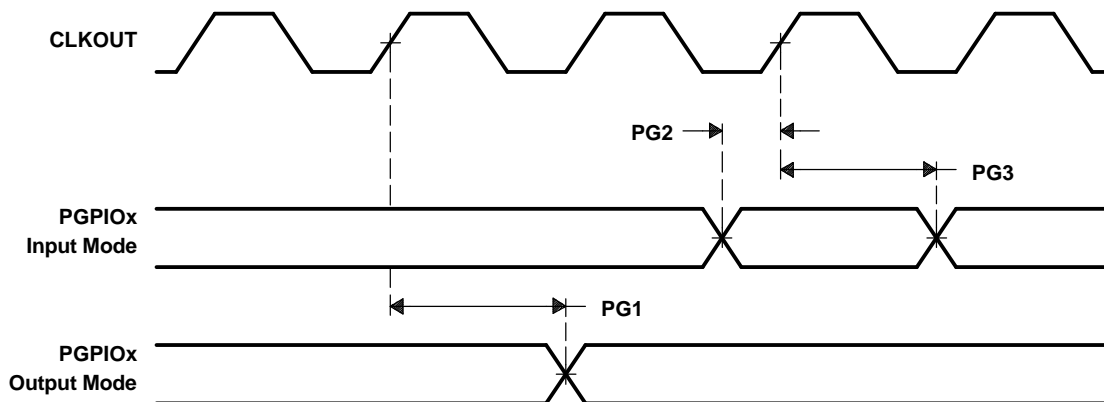


Figure 5-27. Parallel General-Purpose Input/Output (PGPIOx) Signal Timings

5.14 TIM0/TIM1/WDTOUT Timings

Table 5-26 and Table 5-27 assume testing over recommended operating conditions(see Figure 5-28 and Figure 5-29).

5.14.1 TIM0/TIM1/WDTOUT Timer Pin Timings

Table 5-26. TIM0/TIM1/WDTOUT Pins Configured as Timer Input Pins Timing Requirements⁽¹⁾

NO.			VC5502-200 VC5502-300		UNIT
			MIN	MAX	
T4	$t_{w(TIML)}$	Pulse width, TIM0/TIM1/WDTOUT low	4P		ns
T5	$t_{w(TIMH)}$	Pulse width, TIM0/TIM1/WDTOUT high	4P		ns

(1) P = (Divider1 Ratio)/(CPU Clock Frequency) in ns. For example, when running parts at 300 MHz with the fast peripheral domain at 1/2 the CPU clock frequency, use P = 2/300 MHz = 6.66 ns.

Table 5-27. TIM0/TIM1/WDTOUT Pins Configured as Timer Output Pins Switching Characteristics

NO.	PARAMETER	VC5502-200 VC5502-300		UNIT
		MIN	MAX	
T1	$t_{d(COH-TIMH)}$	Delay time, CLKOUT high to TIM0/TIM1/WDTOUT high ⁽¹⁾		ns
T2	$t_{d(COH-TIML)}$	Delay time, CLKOUT high to TIM0/TIM1/WDTOUT low ⁽¹⁾		ns
T3	$t_{w(TIM)}$	Pulse duration, TIM0/TIM1/WDTOUT		ns

- (1) In this case, CLKOUT reflects SYSCLK1. The CLKOUT Selection Register (CLKOUTSR) can be programmed to select SYSCLK1 as CLKOUT.
(2) P = (Divider1 Ratio)/(CPU Clock Frequency) in ns. For example, when running parts at 300 MHz with the fast peripheral domain at 1/2 the CPU clock frequency, use P = 2/300 MHz = 6.66 ns.

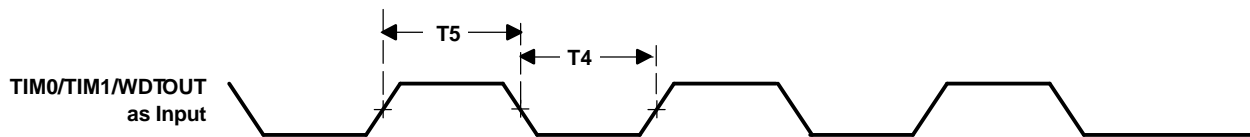


Figure 5-28. TIM0/TIM1/WDTOUT Timings When Configured as Timer Input Pins

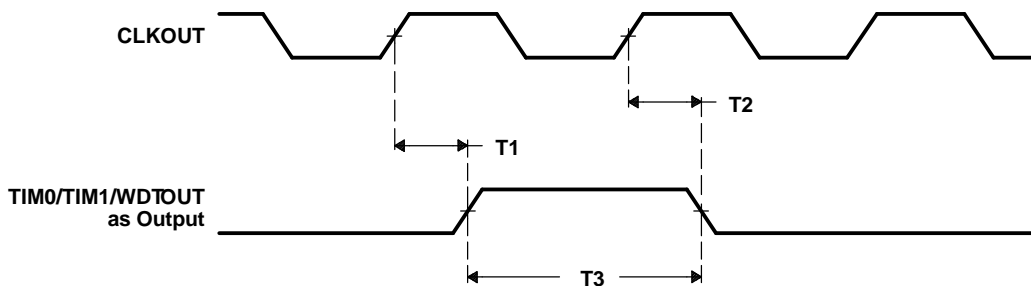


Figure 5-29. TIM0/TIM1/WDTOUT Timings When Configured as Timer Output Pins

5.14.2 TIM0/TIM1/WDTOUT General-Purpose I/O Timings

Table 5-28 and Table 5-29 assume testing over recommended operating conditions (see Figure 5-30).

Table 5-28. TIM0/TIM1/WDTOUT General-Purpose I/O Timing Requirements⁽¹⁾

NO.			VC5502-200 VC5502-300		UNIT
			MIN	MAX	
T9	$t_{su}(TIM0GPIO-COH)$	Setup time, TIM0-GPIO input mode before CLKOUT high	5		ns
T10	$t_h(COH-TIM0GPIO)$	Hold time, TIM0-GPIO input mode after CLKOUT high	0		ns
T11	$t_{su}(TIM1GPIO-COH)$	Setup time, TIM1-GPIO input mode before CLKOUT high	5		ns
T12	$t_h(COH-TIM1GPIO)$	Hold time, TIM1-GPIO input mode after CLKOUT high	0		ns
T13	$t_{su}(WDTGPIO-COH)$	Setup time, WDTOUT-GPIO input mode before CLKOUT high	5		ns
T14	$t_h(COH-WDTGPIO)$	Hold time, WDTOUT-GPIO input mode after CLKOUT high	0		ns

(1) In this case, CLKOUT reflects SYSCLK1. The CLKOUT Selection Register (CLKOUTSR) can be programmed to select SYSCLK1 as CLKOUT.

Table 5-29. TIM0/TIM1/WDTOUT General-Purpose I/O Switching Characteristics⁽¹⁾

NO.	PARAMETER		VC5502-200 VC5502-300		UNIT
			MIN	MAX	
T6	$t_d(COH-TIM0GPIO)$	Delay time, CLKOUT high to TIM0-GPIO output mode		10	ns
T7	$t_d(COH-TIM1GPIO)$	Delay time, CLKOUT high to TIM1-GPIO output mode		10	ns
T8	$t_d(COH-WDTGPIO)$	Delay time, CLKOUT high to WDTOUT-GPIO output mode		10	ns

(1) In this case, CLKOUT reflects SYSCLK1. The CLKOUT Selection Register (CLKOUTSR) can be programmed to select SYSCLK1 as CLKOUT.

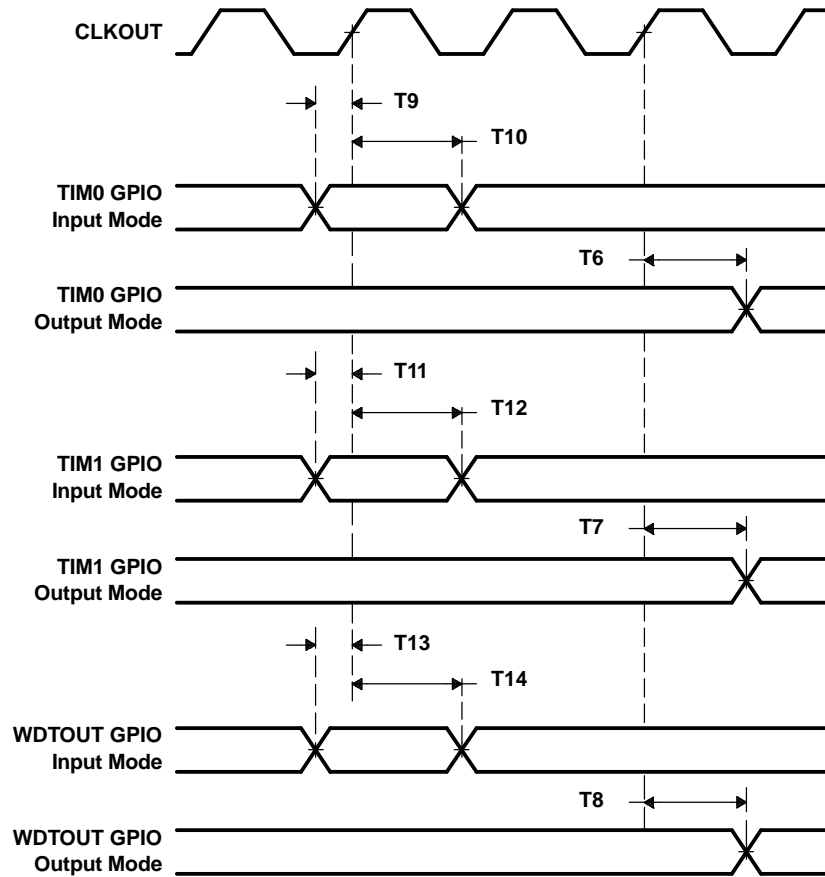


Figure 5-30. TIM0/TIM1/WDTOUT General-Purpose I/O Timings

5.14.3 TIM0/TIM1/WDTOUT Interrupt Timings

Table 5-30 assumes testing over recommended operating conditions (see Figure 5-31).

Table 5-30. TIM0/TIM1/WDTOUT Interrupt Timing Requirements⁽¹⁾⁽²⁾

NO.			VC5502-200 VC5502-300		UNIT
			MIN	MAX	
T15	$t_{su}(TIM0L-COH)$	Setup time, TIM0 low ⁽³⁾ before CLKOUT rising edge	5		ns
T16	$t_h(COH-TIM0L)$	Hold time, TIM0 low ⁽³⁾ after CLKOUT rising edge	0		ns
T17	$t_w(TIM0L)$	Pulse width, TIM0 low ⁽³⁾	P		ns
T18	$t_{su}(TIM1L-COH)$	Setup time, TIM1 low ⁽³⁾ before CLKOUT rising edge	5		ns
T19	$t_h(COH-TIM1L)$	Hold time, TIM1 low ⁽³⁾ after CLKOUT rising edge	0		ns
T20	$t_w(TIM1L)$	Pulse width, TIM1 low ⁽³⁾	P		ns
T21	$t_{su}(WDTL-COH)$	Setup time, WDTOUT low ⁽³⁾ before CLKOUT rising edge	5		ns
T22	$t_h(COH-WDTL)$	Hold time, WDTOUT low ⁽³⁾ after CLKOUT rising edge	0		ns
T23	$t_w(WDTL)$	Pulse width, WDTOUT low ⁽³⁾	P		ns

- (1) In this case, CLKOUT reflects SYSCLK1. The CLKOUT Selection Register (CLKOUTSR) can be programmed to select SYSCLK1 as CLKOUT.
- (2) $P = (\text{Divider1 Ratio})/(\text{CPU Clock Frequency})$ in ns. For example, when running parts at 300 MHz with the fast peripheral domain at 1/2 the CPU clock frequency, use $P = 2/300 \text{ MHz} = 6.66 \text{ ns}$.
- (3) An interrupt can be triggered by setting the timer pins high or low, depending on the setting of the TIN1INV bit in the GPIO Interrupt Control Register (GPINT). Refer to the *TMS320VC5501/5502 DSP Timers Reference Guide* (literature number SPRU618) for more information on the interrupt capability of the timer pins.

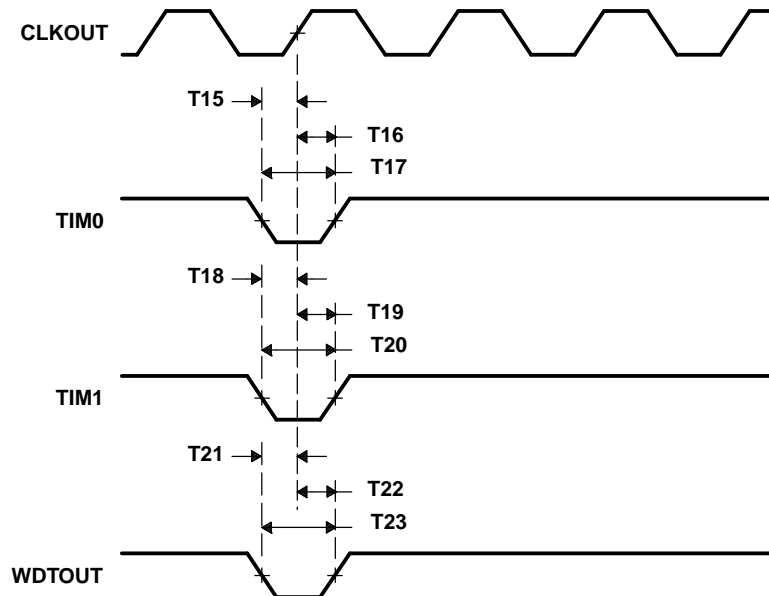


Figure 5-31. TIM0/TIM1/WDTOUT Interrupt Timings

5.15 Multichannel Buffered Serial Port (McBSP) Timings

5.15.1 McBSP Transmit and Receive Timings

Table 5-31 and Table 5-32 assume testing over recommended operating conditions (see Figure 5-32 and Figure 5-33).

Table 5-31. McBSP Transmit and Receive Timing Requirements⁽¹⁾⁽²⁾

NO.				VC5502-200 VC5502-300		UNIT
				MIN	MAX	
M11	$t_{c(CKRX)}$	Cycle time, CLKR/X	CLKR/X ext	2P		ns
M12	$t_{w(CKRX)}$	Pulse duration, CLKR/X high or CLKR/X low	CLKR/X ext	P – 2		ns
M13	$t_{r(CKRX)}$	Rise time, CLKR/X	CLKR/X ext		5	ns
M14	$t_{f(CKRX)}$	Fall time, CLKR/X	CLKR/X ext		5	ns
M15	$t_{su(FRH-CKRL)}$	Setup time, external FSR high before CLKR low	CLKR int	5		ns
			CLKR ext	1		
M16	$t_{h(CKRL-FRH)}$	Hold time, external FSR high after CLKR low	CLKR int	1		ns
			CLKR ext	6		
M17	$t_{su(DRV-CKRL)}$	Setup time, DR valid before CLKR low	CLKR int	3		ns
			CLKR ext	1		
M18	$t_{h(CKRL-DRV)}$	Hold time, DR valid after CLKR low	CLKR int	1		ns
			CLKR ext	6		
M19	$t_{su(FXH-CKXL)}$	Setup time, external FSX high before CLKX low	CLKX int	5		ns
			CLKX ext	1		
M20	$t_{h(CKXL-FXH)}$	Hold time, external FSX high after CLKX low	CLKX int	1		ns
			CLKX ext	6		

(1) Polarity bits CLKRP = CLKXP = FSRP = FSXP = 0. If the polarity of any of the signals is inverted, then the timing references of that signal are also inverted.

(2) $P = (\text{Divider2 Ratio}) / (\text{CPU Clock Frequency})$ in ns. For example, when running parts at 300 MHz with the slow peripheral domain at 1/2 the CPU clock frequency, use $P = 2/300 \text{ MHz} = 6.66 \text{ ns}$.

Table 5-32. McBSP Transmit and Receive Switching Characteristics⁽¹⁾⁽²⁾

NO.	PARAMETER		VC5502-200 VC5502-300		UNIT	
			MIN	MAX		
M1	$t_c(\text{CLKRX})$	Cycle time, CLKR/X	CLKR/X int	2P	ns	
M2	$t_w(\text{CLKRXH})$	Pulse duration, CLKR/X high	CLKR/X int	$D - 1^{(3)}$ $D + 1^{(3)}$	ns	
M3	$t_w(\text{CLKRXL})$	Pulse duration, CLKR/X low	CLKR/X int	$C - 1^{(3)}$ $C + 1^{(3)}$	ns	
M4	$t_d(\text{CLKRH-FRV})$	Delay time, CLKR high to internal FSR valid	CLKR int	-2 6	ns	
			CLKR ext	4 16		
M5	$t_d(\text{CLKXH-FXV})$	Delay time, CLKX high to internal FSX valid	CLKX int	-2 6	ns	
			CLKX ext	4 16		
M6	$t_{\text{dis}}(\text{CLKXH-DXHZ})$	Disable time, CLKX high to DX high impedance following last data bit	CLKX int	-5 5	ns	
			CLKX ext	1 11		
M7	$t_d(\text{CLKXH-DXV})$	Delay time, CLKX high to DX valid. This applies to all bits except the first bit transmitted.	CLKX int	6	ns	
			CLKX ext	16		
		Delay time, CLKX high to DX valid ⁽⁴⁾ Only applies to first bit transmitted when in Data Delay 1 or 2 (XDATDLY=01b or 10b) modes	DXENA = 0	CLKX int		6
			DXENA = 1	CLKX ext		16
M8	$t_{\text{en}}(\text{CLKXH-DX})$	Enable time, CLKX high to DX driven ⁽⁴⁾ Only applies to first bit transmitted when in Data Delay 1 or 2 (XDATDLY=01b or 10b) modes	DXENA = 0	CLKX int	0	ns
			DXENA = 1	CLKX ext	6	
				CLKX int	2P	
			CLKX ext	2P + 6		
M9	$t_d(\text{FXH-DXV})$	Delay time, FSX high to DX valid ⁽⁴⁾ Only applies to first bit transmitted when in Data Delay 0 (XDATDLY=00b) mode.	DXENA = 0	FSX int	2	ns
			DXENA = 1	FSX ext	7	
				FSX int	2P + 2	
			FSX ext	2P + 7		
M10	$t_{\text{en}}(\text{FXH-DX})$	Enable time, FSX high to DX driven ⁽⁴⁾ Only applies to first bit transmitted when in Data Delay 0 (XDATDLY=00b) mode	DXENA = 0	FSX int	0	ns
			DXENA = 1	FSX ext	6	
				FSX int	2P	
			FSX ext	P + 6		

- (1) Polarity bits CLKRP = CLKXP = FSRP = FSXP = 0. If the polarity of any of the signals is inverted, then the timing references of that signal are also inverted.
- (2) $P = (\text{Divider2 Ratio}) / (\text{CPU Clock Frequency})$ in ns. For example, when running parts at 300 MHz with the slow peripheral domain at 1/2 the CPU clock frequency, use $P = 2/300 \text{ MHz} = 6.66 \text{ ns}$.
- (3) $T = \text{CLKRX period} = (1 + \text{CLKGDV}) * P$
 $C = \text{CLKRX low pulse width} = T/2$ when CLKGDV is odd or zero and $= (\text{CLKGDV}/2) * P$ when CLKGDV is even
 $D = \text{CLKRX high pulse width} = T/2$ when CLKGDV is odd or zero and $= (\text{CLKGDV}/2 + 1) * P$ when CLKGDV is even
- (4) See the *TMS320VC5501/5502/5503/5507/5509/5510 DSP Multichannel Buffered Serial Port (McBSP) Reference Guide* (literature number SPRU592) for a description of the DX enable (DXENA) and data delay features of the McBSP.

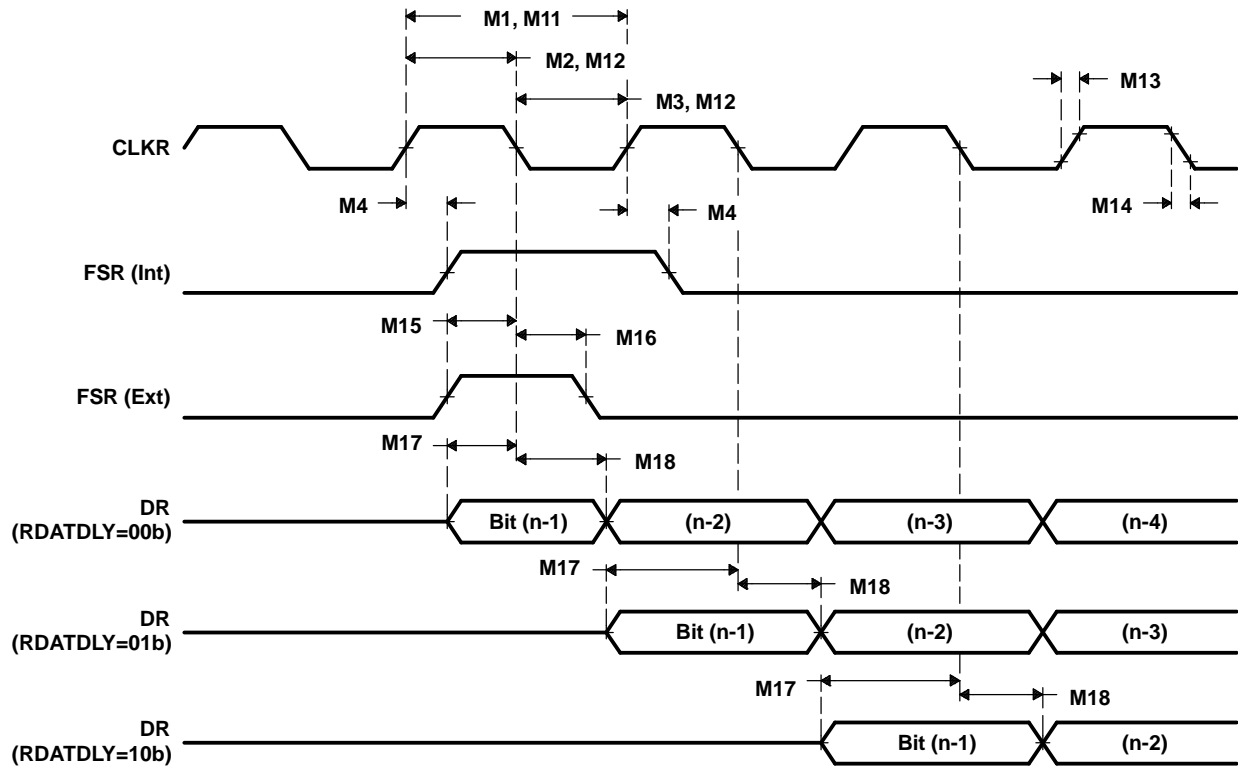
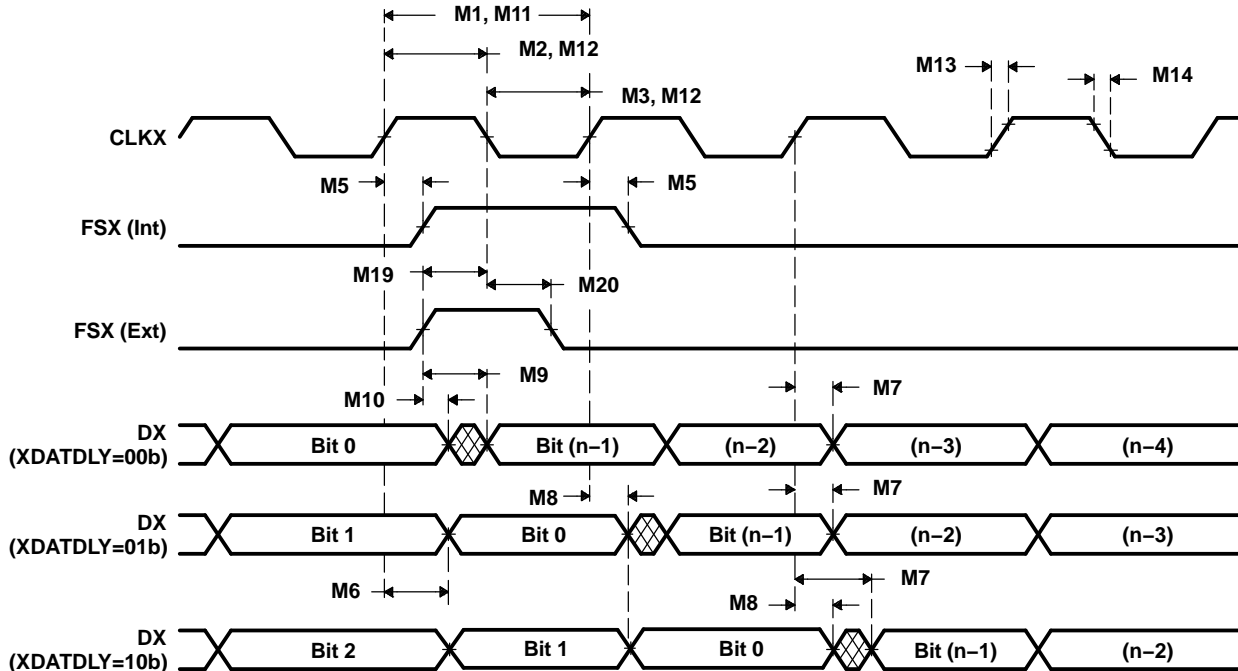


Figure 5-32. McBSP Receive Timings



A. This figure does not include first or last frames. For first frame, no data will be present before frame synchronization. For last frame, no data will be present after frame synchronization.

Figure 5-33. McBSP Transmit Timings

5.15.2 McBSP General-Purpose I/O Timings

Table 5-33 and Table 5-34 assume testing over recommended operating conditions (see Figure 5-34).

Table 5-33. McBSP General-Purpose I/O Timing Requirements

NO.			VC5502-200 VC5502-300		UNIT
			MIN	MAX	
M22	$t_{su}(MGPIO-COH)$	Setup time, MGPIOx input mode before CLKOUT high ⁽¹⁾⁽²⁾	4		ns
M23	$t_h(COH-MGPIO)$	Hold time, MGPIOx input mode after CLKOUT high ⁽¹⁾⁽²⁾	0		ns

(1) MGPIOx refers to CLKRx, FSRx, DRx, CLKXx, or FSXx when configured as a general-purpose input.

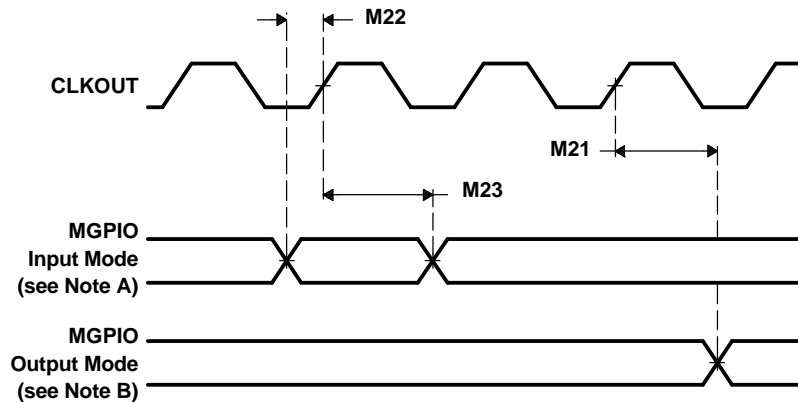
(2) In this case, CLKOUT reflects SYSCLK2. The CLKOUT Selection Register (CLKOUTSR) can be programmed to select SYSCLK2 as CLKOUT.

Table 5-34. McBSP General-Purpose I/O Switching Characteristics

NO.	PARAMETER	VC5502-200 VC5502-300		UNIT
		MIN	MAX	
M21	$t_d(COH-MGPIO)$	0	6	ns

(1) In this case, CLKOUT reflects SYSCLK2. The CLKOUT Selection Register (CLKOUTSR) can be programmed to select SYSCLK2 as CLKOUT.

(2) MGPIOx refers to CLKRx, FSRx, CLKXx, FSXx, or DXx when configured as a general-purpose output.



A. MGPIOx refers to CLKRx, FSRx, DRx, CLKXx, or FSXx when configured as a general-purpose input.

B. MGPIOx refers to CLKRx, FSRx, CLKXx, FSXx, or DXx when configured as a general-purpose output.

Figure 5-34. McBSP General-Purpose I/O Timings

5.15.3 McBSP as SPI Master or Slave Timings

Table 5-35 to Table 5-42 assume testing over recommended operating conditions (see Figure 5-35 through Figure 5-38).

Table 5-35. McBSP as SPI Master or Slave Timing Requirements (CLKSTP = 10b, CLKXP = 0)⁽¹⁾⁽²⁾⁽³⁾

NO.			VC5502-200 VC5502-300				UNIT
			MASTER		SLAVE		
			MIN	MAX	MIN	MAX	
M30	$t_{su}(DRV-CKXL)$	Setup time, DR valid before CLKX low	13		0 – 5P	ns	
M31	$t_h(CKXL-DRV)$	Hold time, DR valid after CLKX low	1		9 + 6P	ns	
M32	$t_{su}(FXL-CKXH)$	Setup time, FSX low before CLKX high			10	ns	
M33	$t_c(CKX)$	Cycle time, CLKX	2P		16P	ns	

- (1) For all SPI slave modes, CLKG is programmed as 1/2 of the CPU clock by setting CLKSM = CLKGDV = 1.
- (2) P = (Divider2 Ratio)/(CPU Clock Frequency) in ns. For example, when running parts at 300 MHz with the slow peripheral domain at 1/2 the CPU clock frequency, use P = 2/300 MHz = 6.66 ns.
- (3) McBSP register values required to configure the McBSP as an SPI master and as an SPI slave are listed in the *TMS320VC5501/5502/5503/5507/5509/5510 DSP Multichannel Buffered Serial Port (McBSP) Reference Guide* (literature number SPRU592).

Table 5-36. McBSP as SPI Master or Slave Switching Characteristics (CLKSTP = 10b, CLKXP = 0)⁽¹⁾⁽²⁾⁽³⁾⁽⁴⁾

NO.	PARAMETER		VC5502-200 VC5502-300				UNIT
			MASTER		SLAVE		
			MIN	MAX	MIN	MAX	
M24	$t_d(CKXL-FXL)$	Delay time, CLKX low to FSX low ⁽⁵⁾	T – 2	T + 6		ns	
M25	$t_d(FXL-CKXH)$	Delay time, FSX low to CLKX high ⁽⁶⁾	C – 6	C + 4		ns	
M26	$t_d(CKXH-DXV)$	Delay time, CLKX high to DX valid	–4	6	4P	6P	
M27	$t_{dis}(CKXL-DXHZ)$	Disable time, DX high impedance following last data bit from CLKX low	C – 2	C + 10		ns	
M28	$t_{dis}(FXH-DXHZ)$	Disable time, DX high impedance following last data bit from FSX high			2P + 4	4P + 10	
M29	$t_d(FXL-DXV)$	Delay time, FSX low to DX valid			2P + 4	4P + 10	

- (1) For all SPI slave modes, CLKG is programmed as 1/2 of the CPU clock by setting CLKSM = CLKGDV = 1.
- (2) P = (Divider2 Ratio)/(CPU Clock Frequency) in ns. For example, when running parts at 300 MHz with the slow peripheral domain at 1/2 the CPU clock frequency, use P = 2/300 MHz = 6.66 ns.
- (3) McBSP register values required to configure the McBSP as an SPI master and as an SPI slave are listed in the *TMS320VC5501/5502/5503/5507/5509/5510 DSP Multichannel Buffered Serial Port (McBSP) Reference Guide* (literature number SPRU592).
- (4) T = BCLKX period = (1 + CLKGDV) * 2P
C = BCLKX low pulse width = T/2 when CLKGDV is odd or zero and = (CLKGDV/2) * 2P when CLKGDV is even
- (5) FSRP = FSXP = 1. As a SPI master, FSX is inverted to provide active-low slave-enable output. As a slave, the active-low signal input on FSX and FSR is inverted before being used internally.
CLKXM = FSXM = 1, CLKRM = FSRM = 0 for master McBSP
CLKXM = CLKRM = FSXM = FSRM = 0 for slave McBSP
- (6) FSX should be low before the rising edge of clock to enable slave devices and then begin a SPI transfer at the rising edge of the master clock (CLKX).

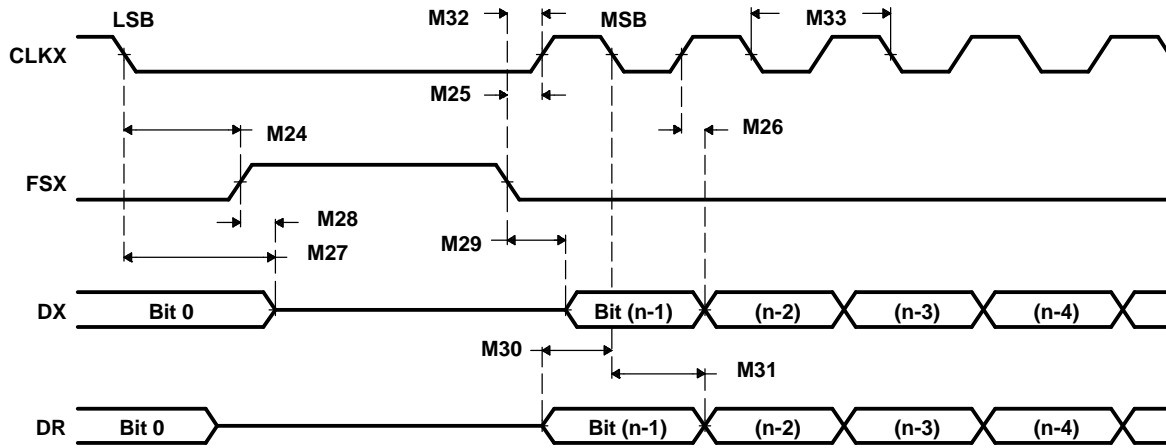


Figure 5-35. McBSP Timings as SPI Master or Slave: CLKSTP = 10b, CLKXP = 0

Table 5-37. McBSP as SPI Master or Slave Timing Requirements (CLKSTP = 11b, CLKXP = 0)⁽¹⁾⁽²⁾⁽³⁾

NO.			VC5502-200 VC5502-300				UNIT
			MASTER		SLAVE		
			MIN	MAX	MIN	MAX	
M39	$t_{su}(DRV-CKXH)$	Setup time, DR valid before CLKX high	13		0 – 5P	ns	
M40	$t_h(CKXH-DRV)$	Hold time, DR valid after CLKX high	1		9 + 6P	ns	
M41	$t_{su}(FXL-CKXH)$	Setup time, FSX low before CLKX high			10	ns	
M42	$t_c(CKX)$	Cycle time, CLKX	2P		16P	ns	

- (1) For all SPI slave modes, CLKG is programmed as 1/2 of the CPU clock by setting CLKSM = CLKGDV = 1.
- (2) P = (Divider2 Ratio)/(CPU Clock Frequency) in ns. For example, when running parts at 300 MHz with the slow peripheral domain at 1/2 the CPU clock frequency, use P = 2/300 MHz = 6.66 ns.
- (3) McBSP register values required to configure the McBSP as an SPI master and as an SPI slave are listed in the *TMS320VC5501/5502/5503/5507/5509/5510 DSP Multichannel Buffered Serial Port (McBSP) Reference Guide* (literature number SPRU592).

Table 5-38. McBSP as SPI Master or Slave Switching Characteristics (CLKSTP = 11b, CLKXP = 0)⁽¹⁾⁽²⁾⁽³⁾⁽⁴⁾

NO.	PARAMETER		VC5502-200 VC5502-300				UNIT
			MASTER		SLAVE		
			MIN	MAX	MIN	MAX	
M34	$t_d(CKXL-FXL)$	Delay time, CLKX low to FSX low ⁽⁵⁾	C – 2	C + 6		ns	
M35	$t_d(FXL-CKXH)$	Delay time, FSX low to CLKX high ⁽⁶⁾	T – 6	T + 4		ns	
M36	$t_d(CKXL-DXV)$	Delay time, CLKX low to DX valid	–4	6	4P 6P	ns	
M37	$t_{dis}(CKXL-DXHZ)$	Disable time, DX high impedance following last data bit from CLKX low	–2	10	3P + 4 4P + 18	ns	
M38	$t_d(FXL-DXV)$	Delay time, FSX low to DX valid	D – 2	D + 10	2P – 4 4P + 10	ns	

- (1) For all SPI slave modes, CLKG is programmed as 1/2 of the CPU clock by setting CLKSM = CLKGDV = 1.
- (2) P = (Divider2 Ratio)/(CPU Clock Frequency) in ns. For example, when running parts at 300 MHz with the slow peripheral domain at 1/2 the CPU clock frequency, use P = 2/300 MHz = 6.66 ns.
- (3) McBSP register values required to configure the McBSP as an SPI master and as an SPI slave are listed in the *TMS320VC5501/5502/5503/5507/5509/5510 DSP Multichannel Buffered Serial Port (McBSP) Reference Guide* (literature number SPRU592).
- (4) T = CLKX period = (1 + CLKGDV) * P
C = CLKX low pulse width = T/2 when CLKGDV is odd or zero and = (CLKGDV/2) * P when CLKGDV is even
D = CLKX high pulse width = T/2 when CLKGDV is odd or zero and = (CLKGDV/2 + 1) * P when CLKGDV is even
- (5) FSRP = FSXP = 1. As a SPI master, FSX is inverted to provide active-low slave-enable output. As a slave, the active-low signal input on FSX and FSR is inverted before being used internally.
CLKXM = FSXM = 1, CLKRM = FSRM = 0 for master McBSP
CLKXM = CLKRM = FSXM = FSRM = 0 for slave McBSP
- (6) FSX should be low before the rising edge of clock to enable slave devices and then begin a SPI transfer at the rising edge of the master clock (CLKX).

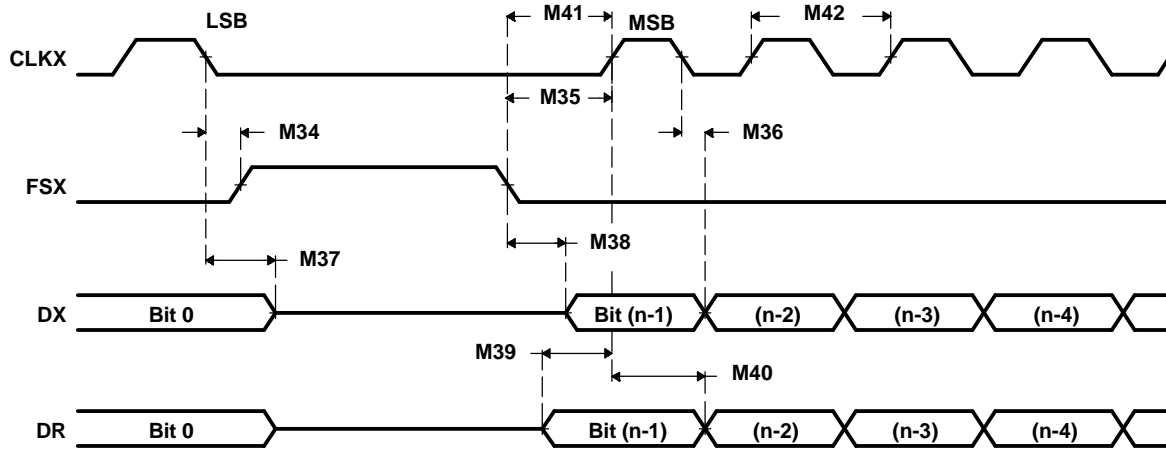


Figure 5-36. McBSP Timings as SPI Master or Slave: CLKSTP = 11b, CLKXP = 0

Table 5-39. McBSP as SPI Master or Slave Timing Requirements (CLKSTP = 10b, CLKXP = 1)⁽¹⁾⁽²⁾⁽³⁾

NO.			VC5502-200 VC5502-300				UNIT
			MASTER		SLAVE		
			MIN	MAX	MIN	MAX	
M49	$t_{su}(DRV-CKXH)$	Setup time, DR valid before CLKX high	13		0 – 5P	ns	
M50	$t_h(CKXH-DRV)$	Hold time, DR valid after CLKX high	1		9 + 6P	ns	
M51	$t_{su}(FXL-CKXL)$	Setup time, FSX low before CLKX low			10	ns	
M52	$t_c(CKX)$	Cycle time, CLKX	2P		16P	ns	

- (1) For all SPI slave modes, CLKG is programmed as 1/2 of the CPU clock by setting CLKSM = CLKGDV = 1.
- (2) P = (Divider2 Ratio)/(CPU Clock Frequency) in ns. For example, when running parts at 300 MHz with the slow peripheral domain at 1/2 the CPU clock frequency, use P = 2/300 MHz = 6.66 ns.
- (3) McBSP register values required to configure the McBSP as an SPI master and as an SPI slave are listed in the *TMS320VC5501/5502/5503/5507/5509/5510 DSP Multichannel Buffered Serial Port (McBSP) Reference Guide* (literature number SPRU592).

Table 5-40. McBSP as SPI Master or Slave Switching Characteristics (CLKSTP = 10b, CLKXP = 1)⁽¹⁾⁽²⁾⁽³⁾⁽⁴⁾

NO.	PARAMETER		VC5502-200 VC5502-300				UNIT
			MASTER		SLAVE		
			MIN	MAX	MIN	MAX	
M43	$t_d(CKXH-FXL)$	Delay time, CLKX high to FSX low ⁽⁵⁾	T – 2	T + 6		ns	
M44	$t_d(FXL-CKXL)$	Delay time, FSX low to CLKX low ⁽⁶⁾	D – 6	D + 4		ns	
M45	$t_d(CKXL-DXV)$	Delay time, CLKX low to DX valid	–4	6	4P	6P	

- (1) For all SPI slave modes, CLKG is programmed as 1/2 of the CPU clock by setting CLKSM = CLKGDV = 1.
- (2) P = (Divider2 Ratio)/(CPU Clock Frequency) in ns. For example, when running parts at 300 MHz with the slow peripheral domain at 1/2 the CPU clock frequency, use P = 2/300 MHz = 6.66 ns.
- (3) McBSP register values required to configure the McBSP as an SPI master and as an SPI slave are listed in the *TMS320VC5501/5502/5503/5507/5509/5510 DSP Multichannel Buffered Serial Port (McBSP) Reference Guide* (literature number SPRU592).
- (4) T = CLKX period = (1 + CLKGDV) * P
D = CLKX high pulse width = T/2 when CLKGDV is odd or zero and = (CLKGDV/2 + 1) * P when CLKGDV is even
- (5) FSRP = FSXP = 1. As a SPI master, FSX is inverted to provide active-low slave-enable output. As a slave, the active-low signal input on FSX and FSR is inverted before being used internally.
CLKXM = FSXM = 1, CLKRM = FSRM = 0 for master McBSP
CLKXM = CLKRM = FSXM = FSRM = 0 for slave McBSP
- (6) FSX should be low before the rising edge of clock to enable slave devices and then begin a SPI transfer at the rising edge of the master clock (CLKX).

Table 5-40. McBSP as SPI Master or Slave Switching Characteristics (CLKSTP = 10b, CLKXP = 1)
(continued)

NO.	PARAMETER	VC5502-200 VC5502-300				UNIT	
		MASTER		SLAVE			
		MIN	MAX	MIN	MAX		
M46	$t_{dis}(CKXH-DXHZ)$	Disable time, DX high impedance following last data bit from CLKX high		D - 2	D + 10	ns	
M47	$t_{dis}(FXH-DXHZ)$	Disable time, DX high impedance following last data bit from FSX high			2P + 4	4P + 10	ns
M48	$t_d(FXL-DXV)$	Delay time, FSX low to DX valid			2P - 4	4P + 10	ns

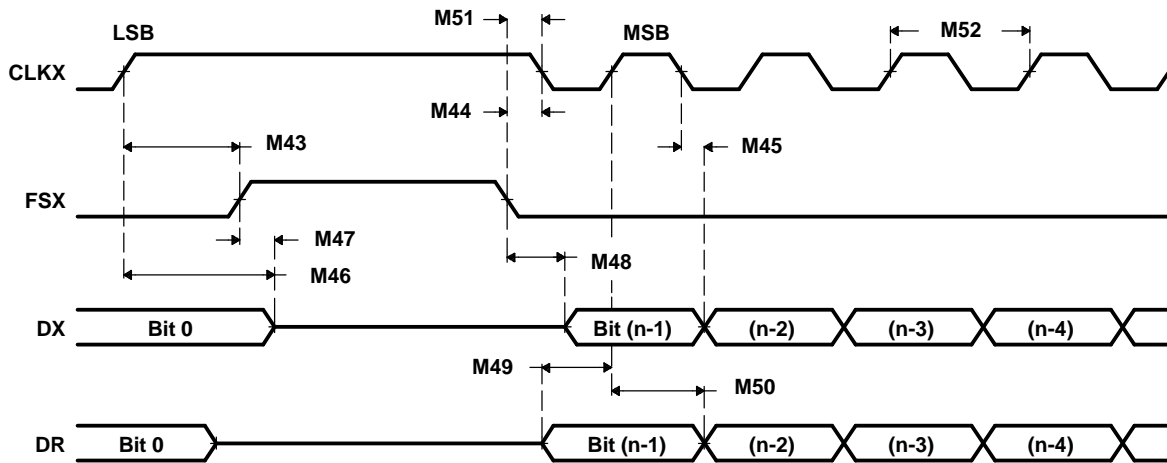


Figure 5-37. McBSP Timings as SPI Master or Slave: CLKSTP = 10b, CLKXP = 1

Table 5-41. McBSP as SPI Master or Slave Timing Requirements (CLKSTP = 11b, CLKXP = 1)⁽¹⁾⁽²⁾⁽³⁾

NO.			VC5502-200 VC5502-300				UNIT
			MASTER		SLAVE		
			MIN	MAX	MIN	MAX	
M58	$t_{su}(DRV-CKXL)$	Setup time, DR valid before CLKX low	13		0 – 5P	ns	
M59	$t_h(CKXL-DRV)$	Hold time, DR valid after CLKX low	1		9 + 6P	ns	
M60	$t_{su}(FXL-CKXL)$	Setup time, FSX low before CLKX low			10	ns	
M61	$t_c(CKX)$	Cycle time, CLKX	2P		16P	ns	

- (1) For all SPI slave modes, CLKG is programmed as 1/2 of the CPU clock by setting CLKSM = CLKGDV = 1.
(2) P = (Divider2 Ratio)/(CPU Clock Frequency) in ns. For example, when running parts at 300 MHz with the slow peripheral domain at 1/2 the CPU clock frequency, use P = 2/300 MHz = 6.66 ns.
(3) McBSP register values required to configure the McBSP as an SPI master and as an SPI slave are listed in the *TMS320VC5501/5502/5503/5507/5509/5510 DSP Multichannel Buffered Serial Port (McBSP) Reference Guide* (literature number SPRU592).

Table 5-42. McBSP as SPI Master or Slave Switching Characteristics (CLKSTP = 11b, CLKXP = 1)⁽¹⁾⁽²⁾⁽³⁾⁽⁴⁾

NO.	PARAMETER		VC5502-200 VC5502-300				UNIT
			MASTER		SLAVE		
			MIN	MAX	MIN	MAX	
M53	$t_d(CKXH-FXL)$	Delay time, CLKX high to FSX low ⁽⁵⁾	D – 2	D + 6		ns	
M54	$t_d(FXL-CKXL)$	Delay time, FSX low to CLKX low ⁽⁶⁾	T – 6	T + 4		ns	
M55	$t_d(CKXH-DXV)$	Delay time, CLKX high to DX valid	–4	6	4P	6P	ns
M56	$t_{dis}(CKXH-DXHZ)$	Disable time, DX high impedance following last data bit from CLKX high	–2	10	3P + 4	4P + 18	ns
M57	$t_d(FXL-DXV)$	Delay time, FSX low to DX valid	C – 2	C + 10	2P – 4	4P + 10	ns

- (1) For all SPI slave modes, CLKG is programmed as 1/2 of the CPU clock by setting CLKSM = CLKGDV = 1.
(2) P = (Divider2 Ratio)/(CPU Clock Frequency) in ns. For example, when running parts at 300 MHz with the slow peripheral domain at 1/2 the CPU clock frequency, use P = 2/300 MHz = 6.66 ns.
(3) McBSP register values required to configure the McBSP as an SPI master and as an SPI slave are listed in the *TMS320VC5501/5502/5503/5507/5509/5510 DSP Multichannel Buffered Serial Port (McBSP) Reference Guide* (literature number SPRU592).
(4) T = CLKX period = (1 + CLKGDV) * P
C = CLKX low pulse width = T/2 when CLKGDV is odd or zero and = (CLKGDV/2) * P when CLKGDV is even
D = CLKX high pulse width = T/2 when CLKGDV is odd or zero and = (CLKGDV/2 + 1) * P when CLKGDV is even
(5) FSRP = FSXP = 1. As a SPI master, FSX is inverted to provide active-low slave-enable output. As a slave, the active-low signal input on FSX and FSR is inverted before being used internally.
CLKXM = FSXM = 1, CLKRM = FSRM = 0 for master McBSP
CLKXM = CLKRM = FSXM = FSRM = 0 for slave McBSP
(6) FSX should be low before the rising edge of clock to enable slave devices and then begin a SPI transfer at the rising edge of the master clock (CLKX).

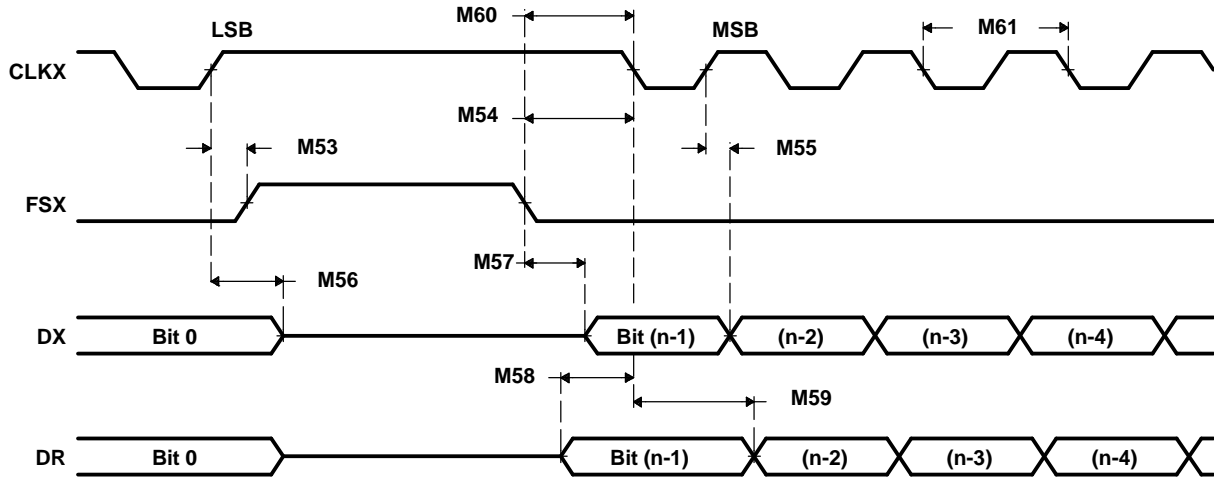


Figure 5-38. McBSP Timings as SPI Master or Slave: CLKSTP = 11b, CLKXP = 1

5.16 Host-Port Interface Timings

5.16.1 HPI Read and Write Timings

Table 5-43 and Table 5-44 assume testing over recommended operating conditions (see Figure 5-39 through Figure 5-44).

Table 5-43. HPI Read and Write Timing Requirements⁽¹⁾⁽²⁾⁽³⁾

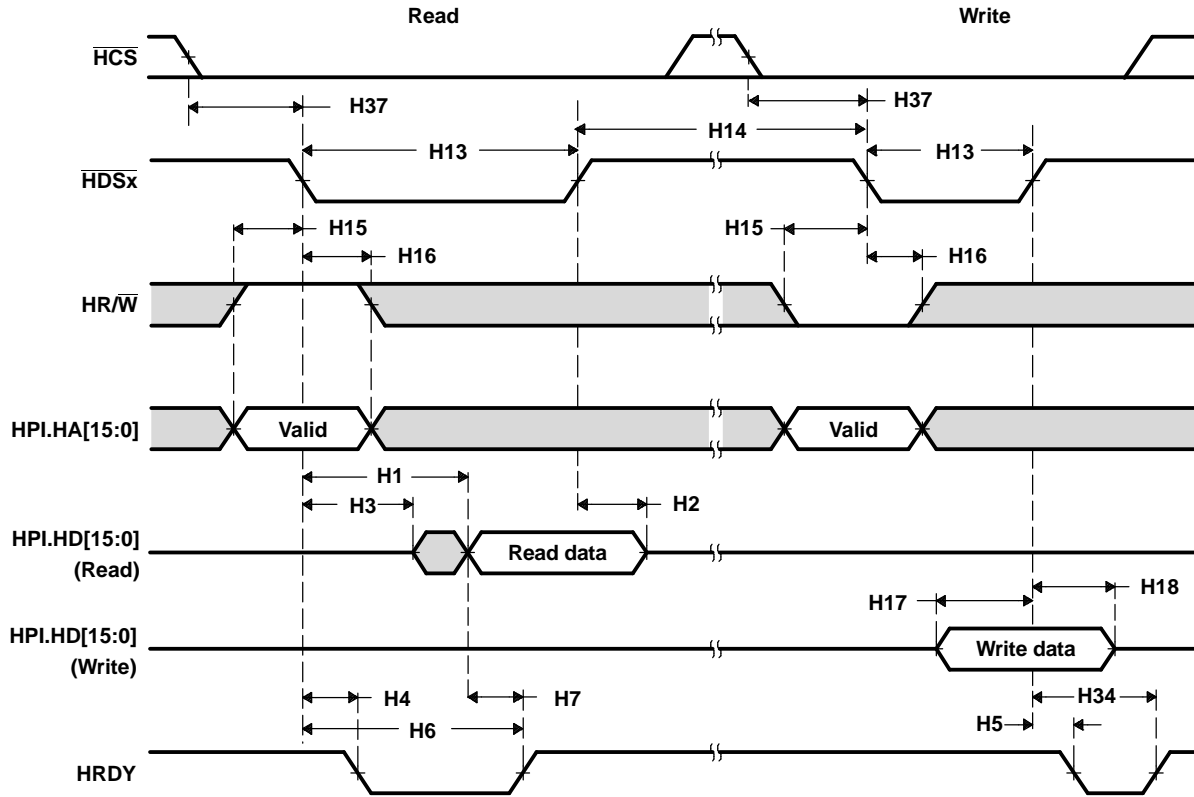
NO.			VC5502-200 VC5502-300		UNIT
			MIN	MAX	
H9	$t_{su}(HASL-DSL)$	Setup time, HPI. \overline{HAS} low before DS falling edge	5		ns
H10	$t_h(DSL-HASL)$	Hold time, HPI. \overline{HAS} low after DS falling edge	2		ns
H11	$t_{su}(HAD-HASL)$	Setup time, HAD valid before HPI. \overline{HAS} falling edge	5		ns
H12	$t_h(HASL-HAD)$	Hold time, HAD valid after HPI. \overline{HAS} falling edge	5		ns
H13	$t_w(DSL)$	Pulse duration, DS low	15		ns
H14	$t_w(DSH)$	Pulse duration, DS high	2P		ns
H15	$t_{su}(HAD-DSL)$	Setup time, HAD valid before DS falling edge	5		ns
H16	$t_h(DSL-HAD)$	Hold time, HAD valid after DS falling edge	5		ns
H17	$t_{su}(HD-DSH)$	Setup time, HD valid before DS rising edge	5		ns
H18	$t_h(DSH-HD)$	Hold time, HD valid after DS rising edge	0		ns
H37	$t_{su}(HCSL-DSL)$	Setup time, \overline{HCS} low before DS falling edge	0		ns
H38	$t_h(HRDYH-DSL)$	Hold time, DS low after HRDY rising edge	0		ns

- (1) $P = (\text{Divider1 Ratio})/(\text{CPU Clock Frequency})$ in ns. For example, when running parts at 300 MHz with the fast peripheral domain at 1/2 the CPU clock frequency, use $P = 2/300 \text{ MHz} = 6.66 \text{ ns}$.
- (2) DS refers to logical OR of \overline{HCS} , $\overline{HDS1}$, and $\overline{HDS2}$. HD refers to HPI Data Bus. HDS refers to $\overline{HDS1}$ or $\overline{HDS2}$. HAD refers to HCNTL0, HCNTL1, HPI.HBIL, and HR \overline{W} .
- (3) A host must not initiate transfer requests until the HPI has been brought out of reset, see Section 3.8, Host-Port Interface (HPI), for more details.

Table 5-44. HPI Read and Write Switching Characteristics⁽¹⁾⁽²⁾⁽³⁾

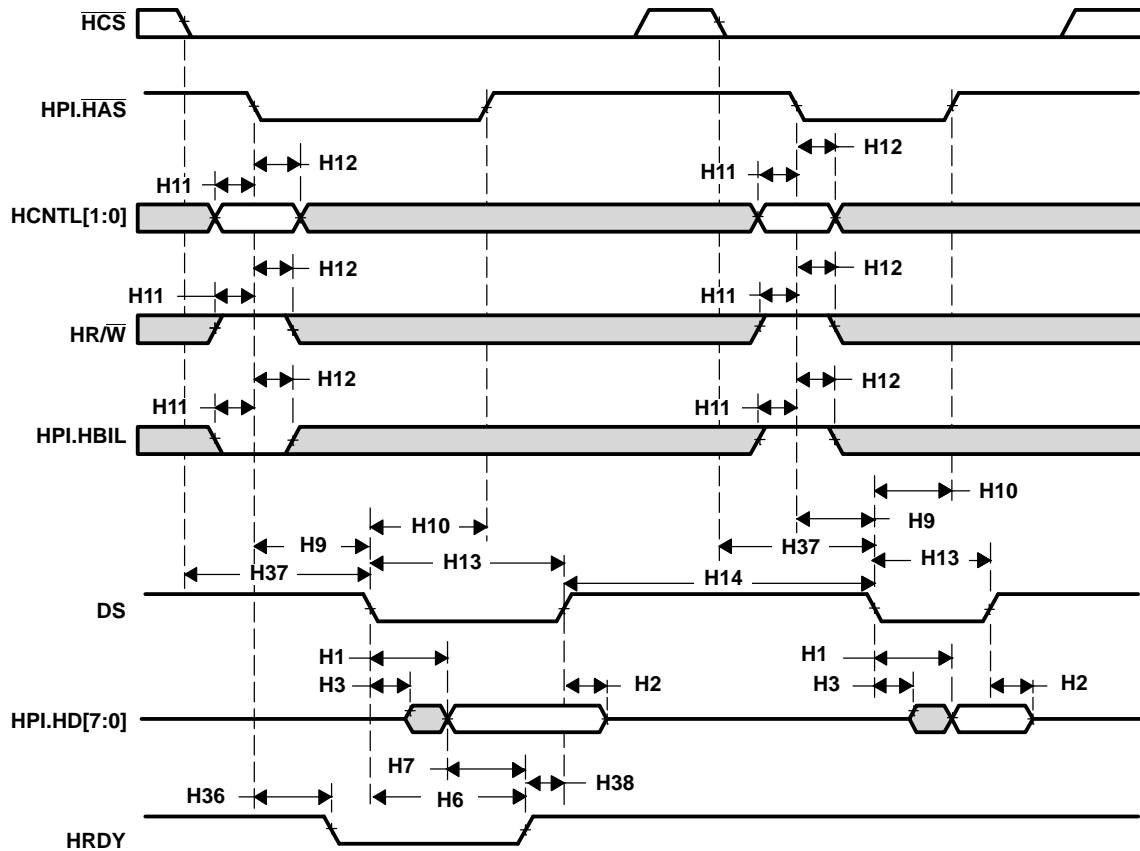
NO.	PARAMETER		VC5502-200 VC5502-300		UNIT		
			MIN	MAX			
H1	$t_{d(DSL-HDV)}$	Delay time, DS low to HD valid	Case 1. HPIC or HPIA read		5	15	ns
			Case 2. HPID read with no auto-increment ⁽⁴⁾	$K = 1^{(5)}$	$9 * 2H + 20$		
				$K = 2^{(5)}$	$10 * 2H + 20$		
				$K = 4^{(5)}$	$11 * 2H + 20$		
			Case 3. HPID read with auto-increment and read FIFO initially empty ⁽⁴⁾	$K = 1^{(5)}$	$9 * 2H + 20$		
$K = 4^{(5)}$	$11 * 2H + 20$						
Case 4. HPID read with auto-increment and data previously prefetched into the read FIFO			5	15			
H2	$t_{dis(DSH-HDV)}$	Disable time, HD high-impedance from DS high	1	4	ns		
H3	$t_{en(DSL-HDD)}$	Enable time, HD driven from DS low	3	15	ns		
H4	$t_{d(DSL-HRDYL)}$	Delay time, DS low to HRDY low		12	ns		
H5	$t_{d(DSH-HRDYL)}$	Delay time, DS high to HRDY low		12	ns		
H6	$t_{d(DSL-HRDYH)}$	Delay time, DS low to HRDY high	Case 1. HPID read with no auto-increment ⁽⁴⁾		$K = 1^{(5)}$	$10 * 2H + 20$	ns
			Case 2. HPID read with auto-increment and read FIFO initially empty ⁽⁴⁾	$K = 2^{(5)}$	$11 * 2H + 20$		
				$K = 4^{(5)}$	$12 * 2H + 20$		
				$K = 1^{(5)}$	$10 * 2H + 20$		
			$K = 2^{(5)}$	$11 * 2H + 20$			
$K = 4^{(5)}$	$12 * 2H + 20$						
H7	$t_{d(HDV-HRDYH)}$	Delay time, HD valid to HRDY high	0		ns		
H8	$t_{d(COH-HINT)}$	Delay time, CLKOUT high to \overline{HINT} change ⁽⁶⁾		8	ns		
H34	$t_{d(DSH-HRDYH)}$	Delay time, DS high to HRDY high	Case 1. HPIA write ⁽⁴⁾		$K = 1, 2, 4^{(5)}$	$5 * 2H + 20$	ns
			Case 2. HPID write with no auto-increment ⁽⁴⁾	$K = 1^{(5)}$	$5 * 2H + 20$		
				$K = 4^{(5)}$	$6 * 2H + 20$		
H35	$t_{d(DSL-HRDYH)}$	Delay time, DS low to HRDY high for HPIA write and FIFO not empty ⁽⁴⁾	$K = 1^{(5)}$	$40 * 2H + 20$	ns		
			$K = 2^{(5)}$	$40 * 2H + 20$			
			$K = 4^{(5)}$	$24 * 2H + 20$			
H36	$t_{d(HASL-HRDYL)}$	Delay time, HPI. \overline{HAS} low to HRDY low		12	ns		

- (1) DS refers to logical OR of \overline{HCS} , $\overline{HDS1}$, and $\overline{HDS2}$. HD refers to HPI Data Bus. HDS refers to $\overline{HDS1}$ or $\overline{HDS2}$. HAD refers to $\overline{HCNTL0}$, $\overline{HCNTL1}$, HPI.HBIL, and $\overline{HR}/\overline{W}$.
- (2) H is half the SYSCLK1 clock cycle.
- (3) A host must not initiate transfer requests until the HPI has been brought out of reset, see Section 3.8, Host-Port Interface (HPI), for more details.
- (4) Assumes no other DMA or CPU memory activity.
- (5) K = divider ratio between CPU clock and SYSCLK1. For example, when SYSCLK1 is set to the CPU clock divided by four, use K = 4.
- (6) In this case, CLKOUT reflects SYSCLK1. The CLKOUT Selection Register (CLKOUTSR) can be programmed to select SYSCLK1 as CLKOUT.



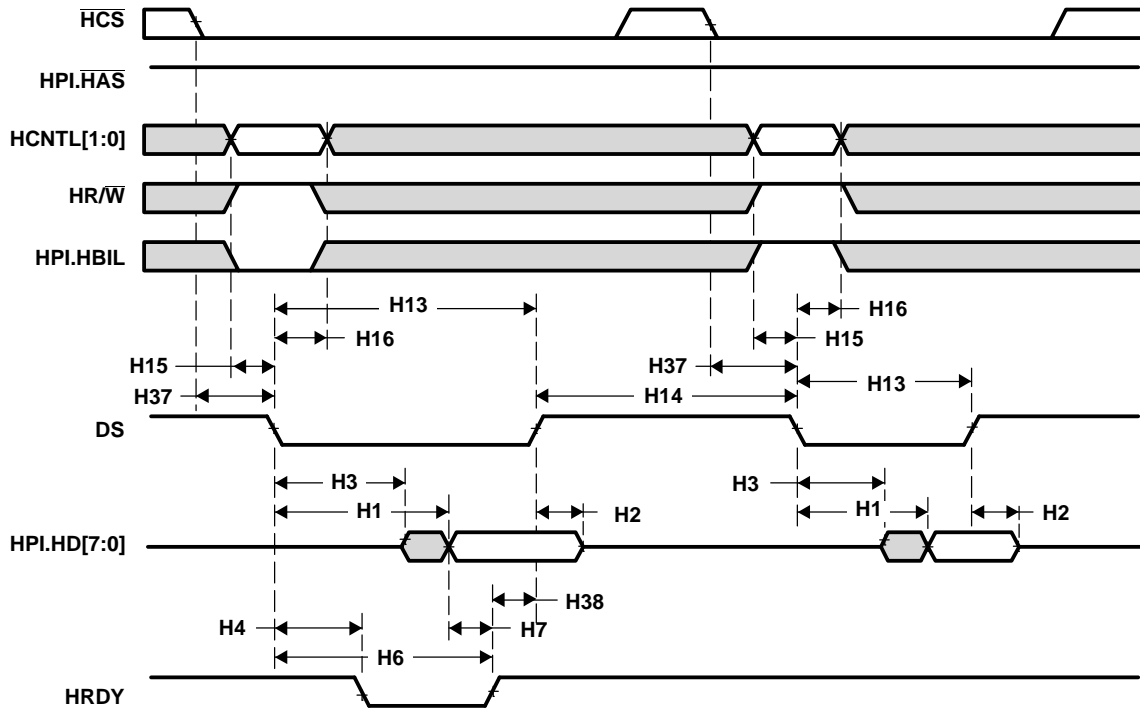
(A) Depending on the type of write or read operation (HPID or HPIC), transitions on \overline{HRDY} may or may not occur [see the *TMS320VC5501/5502 DSP Host Port Interface (HPI) Reference Guide* (literature number SPRU620)].

Figure 5-39. Non-Multiplexed Read/Write Timings



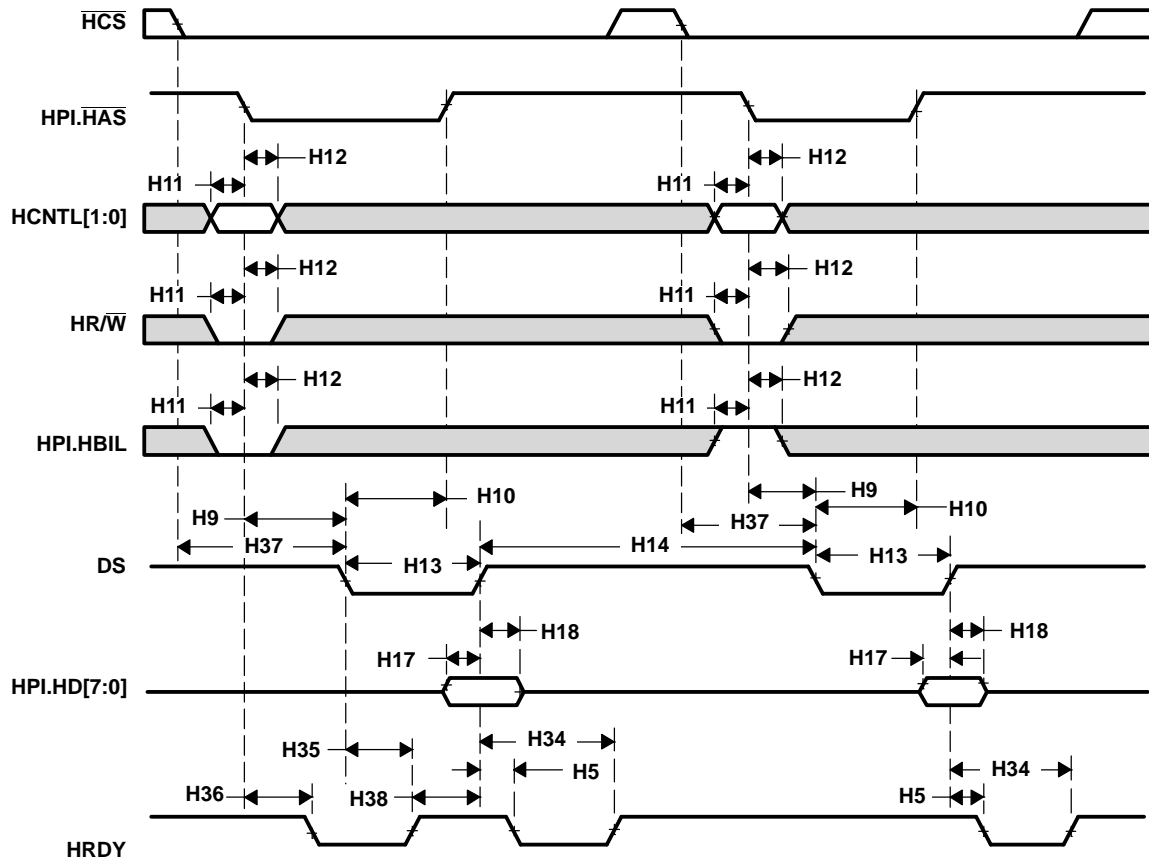
(A) Depending on the type of write or read operation (HPID without auto-incrementing, HPIA, HPIC, or HPID with auto-incrementing) and the state of the FIFO, transitions on HRDY may or may not occur [see the *TMS320VC5501/5502 DSP Host Port Interface (HPI) Reference Guide* (literature number SPRU620)].

Figure 5-40. Multiplexed Read Timings Using HPI.HAS



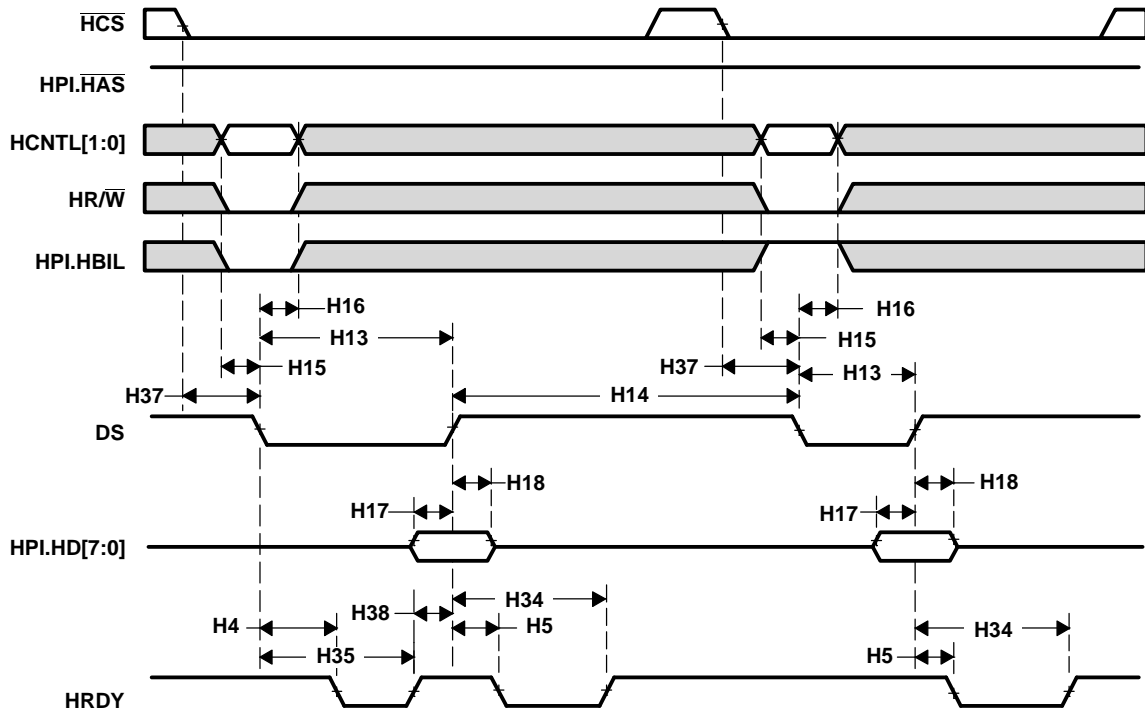
(A) Depending on the type of write or read operation (HPID without auto-incrementing, HPIA, HPIC, or HPID with auto-incrementing) and the state of the FIFO, transitions on HRDY may or may not occur [see the *TMS320VC5501/5502 DSP Host Port Interface (HPI) Reference Guide* (literature number SPRU620)].

Figure 5-41. Multiplexed Read Timings With HPI.HAS Held High



(A) Depending on the type of write or read operation (HPID without auto-incrementing, HPIA, HPIC, or HPID with auto-incrementing) and the state of the FIFO, transitions on HRDY may or may not occur [see the *TMS320VC5501/5502 DSP Host Port Interface (HPI) Reference Guide* (literature number SPRU620)].

Figure 5-42. Multiplexed Write Timings Using HPI.HAS



(A) Depending on the type of write or read operation (HPID without auto-incrementing, HPIA, HPIC, or HPID with auto-incrementing) and the state of the FIFO, transitions on HRDY may or may not occur [see the *TMS320VC5501/5502 DSP Host Port Interface (HPI) Reference Guide* (literature number SPRU620)].

Figure 5-43. Multiplexed Write Timings With HPI.HAS Held High

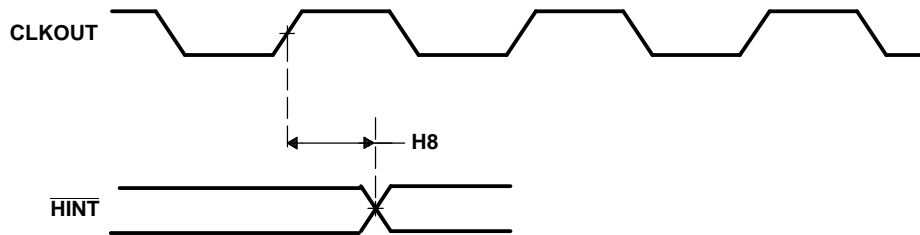


Figure 5-44. HINT Timings

5.16.2 HPI General-Purpose I/O Timings

Table 5-45 and Table 5-46 assume testing over recommended operating conditions (see Figure 5-45).

Table 5-45. HPI General-Purpose I/O Timing Requirements⁽¹⁾

NO.			VC5502-200 VC5502-300		UNIT
			MIN	MAX	
H23	$t_{su}(HAGPIO-COH)$	Setup time, HAGPIO input mode before CLKOUT high ⁽²⁾	5		ns
H24	$t_h(COH-HAGPIO)$	Hold time, HAGPIO input mode after CLKOUT high ⁽²⁾	0		ns
H25	$t_{su}(HDNMGPIO-COH)$	Setup time, HDNMGPIO input mode before CLKOUT high ⁽³⁾	5		ns
H26	$t_h(COH-HDNMGPIO)$	Hold time, HDNMGPIO input mode after CLKOUT high ⁽³⁾	0		ns
H27	$t_{su}(HDMGPIO-COH)$	Setup time, HDMGPIO input mode before CLKOUT high ⁽⁴⁾	5		ns
H28	$t_h(COH-HDMGPIO)$	Hold time, HDMGPIO input mode after CLKOUT high ⁽⁴⁾	0		ns
H29	$t_{su}(HCGPIO-COH)$	Setup time, HCGPIO input mode before CLKOUT high ⁽⁵⁾	5		ns
H30	$t_h(COH-HCGPIO)$	Hold time, HCGPIO input mode after CLKOUT high ⁽⁵⁾	0		ns

- (1) In this case, CLKOUT reflects SYSCLK1. The CLKOUT Selection Register (CLKOUTSR) can be programmed to select SYSCLK1 as CLKOUT.
- (2) HAGPIO refers to HPI.HA[15:0] configured as general-purpose input.
- (3) HDNMGPIO refers to HPI.HD[15:0] configured as general-purpose input during non-multiplexed operation of the HPI.
- (4) HDMGPIO refers to HPI.HD[7:0] configured as general-purpose input during multiplexed operation of the HPI.
- (5) HCGPIO refers to HPI.HAS (multiplexed mode only), HPI.HBIL (multiplexed mode only), HCNTL0, HCNTL1, HCS, HRW, HDS1, HDS2, HRDY, and HINT configured as general-purpose input.

Table 5-46. HPI General-Purpose I/O Switching Characteristics⁽¹⁾

NO.	PARAMETER	VC5502-200 VC5502-300		UNIT
		MIN	MAX	
H19	$t_d(COH-HAGPIO)$		10	ns
H20	$t_d(COH-HDNMGPIO)$		10	ns
H21	$t_d(COH-HDMGPIO)$		10	ns
H22	$t_d(COH-HCGPIO)$		10	ns

- (1) In this case, CLKOUT reflects SYSCLK1. The CLKOUT Selection Register (CLKOUTSR) can be programmed to select SYSCLK1 as CLKOUT.
- (2) HAGPIO refers to HPI.HA[15:0] configured as general-purpose output.
- (3) HDNMGPIO refers to HPI.HD[15:0] configured as general-purpose output during non-multiplexed operation of the HPI.
- (4) HDMGPIO refers to HPI.HD[7:0] configured as general-purpose output during multiplexed operation of the HPI.
- (5) HCGPIO refers to HPI.HAS (multiplexed mode only), HPI.HBIL (multiplexed mode only), HCNTL0, HCNTL1, HCS, HRW, HDS1, HDS2, HRDY, and HINT configured as general-purpose output.

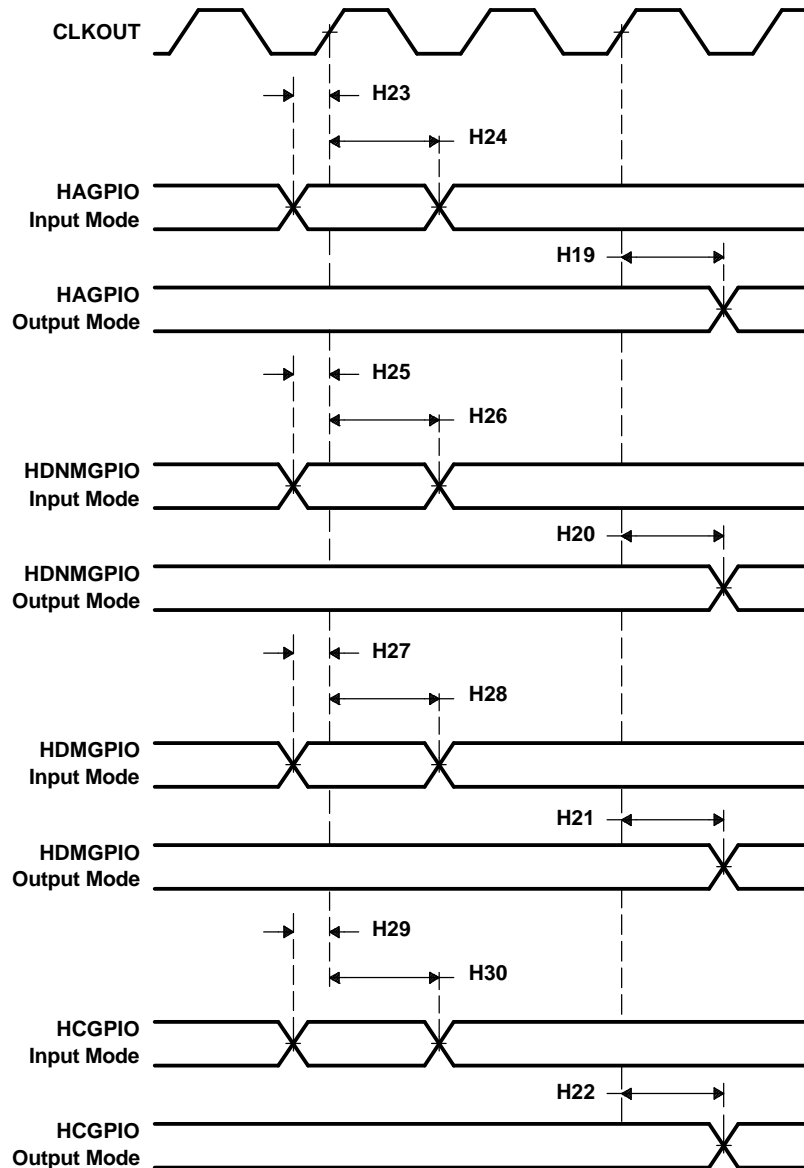


Figure 5-45. HPI General-Purpose I/O Timings

5.16.3 HPI.HAS Interrupt Timings

Table 5-47 assumes testing over recommended operating conditions (see Figure 5-46).

Table 5-47. HPI.HAS Interrupt Timing Requirements⁽¹⁾

NO.		VC5502-200 VC5502-300		UNIT
		MIN	MAX	
H31	$t_{su(HASL-COH)}$ Setup time, HPI.HAS low ⁽²⁾ before CLKOUT rising edge	5		ns
H32	$t_{h(COH-HASL)}$ Hold time, HPI.HAS low ⁽²⁾ after CLKOUT rising edge	0		ns
H33	$t_w(HASL)$ Pulse width, HPI.HAS low ⁽²⁾	P ⁽³⁾		ns

- (1) In this case, CLKOUT reflects SYSCLK1. The CLKOUT Selection Register (CLKOUTSR) can be programmed to select SYSCLK1 as CLKOUT.
- (2) An interrupt can be triggered by setting the HPI.HAS signal high or low, depending on the setting of the HAS bit in the General-Purpose I/O Interrupt Control Register 2 (HPGPIOINT2). Refer to the *TMS320VC5501/5502 DSP Host Port Interface (HPI) Reference Guide* (literature number SPRU620) for more information on the interrupt capability of the HPI.HAS signal.
- (3) $P = (\text{Divider1 Ratio})/(\text{CPU Clock Frequency})$ in ns. For example, when running parts at 300 MHz with the fast peripheral domain at 1/2 the CPU clock frequency, use $P = 2/300 \text{ MHz} = 6.66 \text{ ns}$.

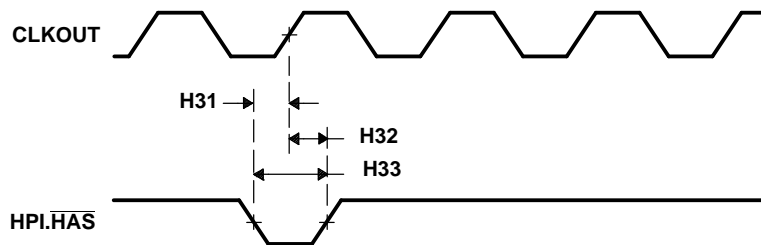


Figure 5-46. HPI.HAS Interrupt Timings

5.17 Inter-Integrated Circuit (I²C) Timings

Table 5-48 and Table 5-49 assume testing over recommended operating conditions (see Figure 5-47 and Figure 5-48).

Table 5-48. I²C Signals (SDA and SCL) Timing Requirements

NO.			VC5502-200 VC5502-300				UNIT
			Standard Mode		Fast Mode		
			MIN	MAX	MIN	MAX	
IC1	$t_{c(SCL)}$	Cycle time, SCL	10		2.5		μ s
IC2	$t_{su(SCLH-SDAL)}$	Setup time, SCL high before SDA low for a repeated START condition	4.7		0.6		μ s
IC3	$t_{h(SCLL-SDAL)}$	Hold time, SCL low after SDA low for a START and a repeated START condition	4		0.6		μ s
IC4	$t_w(SCLL)$	Pulse duration, SCL low	4.7		1.3		μ s
IC5	$t_w(SCLH)$	Pulse duration, SCL high	4		0.6		μ s
IC6	$t_{su(SDA-SCLH)}$	Setup time, SDA valid before SCL high	250		100 ⁽¹⁾		ns
IC7	$t_{h(SDA-SCLL)}$	Hold time, SDA valid after SCL low For I ² C bus™ devices	0 ⁽²⁾		0 ⁽²⁾	0.9 ⁽³⁾	μ s
IC8	$t_w(SDAH)$	Pulse duration, SDA high between STOP and START conditions	4.7		1.3		μ s
IC9	$t_r(SDA)$	Rise time, SDA	1000		20 + 0.1C _b ⁽⁴⁾	300	ns
IC10	$t_r(SCL)$	Rise time, SCL	1000		20 + 0.1C _b ⁽⁴⁾	300	ns
IC11	$t_f(SDA)$	Fall time, SDA	300		20 + 0.1C _b ⁽⁴⁾	300	ns
IC12	$t_f(SCL)$	Fall time, SCL	300		20 + 0.1C _b ⁽⁴⁾	300	ns
IC13	$t_{su(SCLH-SDAH)}$	Setup time, SCL high before SDA high (for STOP condition)	4.0		0.6		μ s
IC14	$t_w(SP)$	Pulse duration, spike (must be suppressed)			0	50	ns
IC15	C _b ⁽⁴⁾	Capacitive load for each bus line	400			400	pF

- (1) A Fast-mode I²C-bus device can be used in a Standard-mode I²C-bus system, but the requirement $t_{su(SDA-SCLH)} \geq 250$ ns must then be met. This will automatically be the case if the device does not stretch the LOW period of the SCL signal. If such a device does stretch the LOW period of the SCL signal, it must output the next data bit to the SDA line $t_r, \max + t_{su(SDA-SCLH)} = 1000 + 250 = 1250$ ns (according to the Standard-mode I²C-Bus Specification) before the SCL line is released.
- (2) A device must internally provide a hold time of at least 300 ns for the SDA signal (referred to the V_{IHmin} of the SCL signal) to bridge the undefined region of the falling edge of SCL.
- (3) The maximum $t_{h(SDA-SCLL)}$ has only to be met if the 5502 I²C operates in master-receiver mode and the slave device does not stretch the LOW period [$t_w(SCLL)$] of the SCL signal.
- (4) C_b = total capacitance of one bus line in pF. If mixed with HS-mode devices, faster fall-times are allowed.

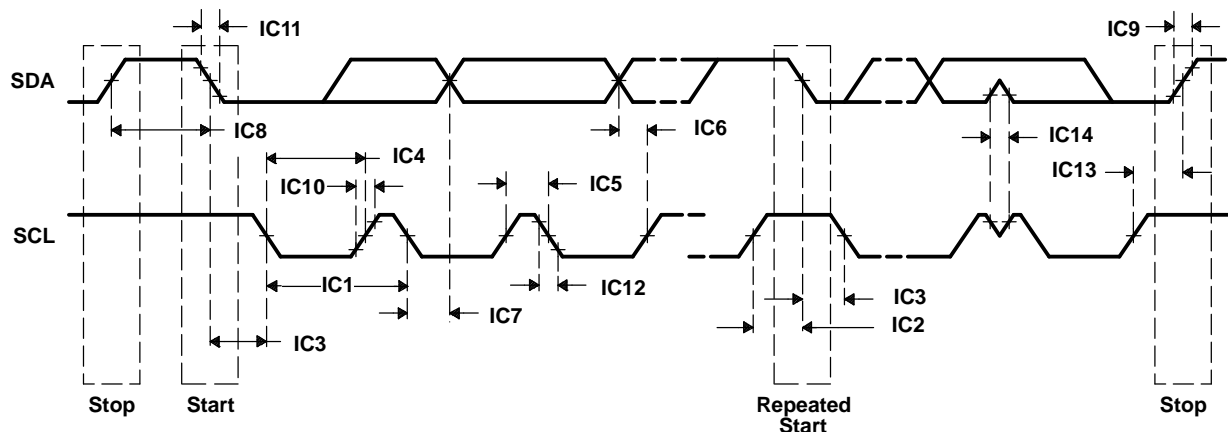


Figure 5-47. I²C Receive Timings

Table 5-49. I²C Signals (SDA and SCL) Switching Characteristics

NO.	PARAMETER		VC5502-200 VC5502-300				UNIT
			Standard Mode		Fast Mode		
			MIN	MAX	MIN	MAX	
IC16	$t_{c(SCL)}$	Cycle time, SCL	10		2.5		μ s
IC17	$t_{d(SCLH-SDAL)}$	Delay time, SCL high to SDA low for a repeated START condition	4.7		0.6		μ s
IC18	$t_{d(SDAL-SCLL)}$	Delay time, SDA low to SCL low for a START and a repeated START condition	4		0.6		μ s
IC19	$t_{w(SCLL)}$	Pulse duration, SCL low	4.7		1.3		μ s
IC20	$t_{w(SCLH)}$	Pulse duration, SCL high	4		0.6		μ s
IC21	$t_{d(SDA-SCLH)}$	Delay time, SDA valid to SCL high	250		100		ns
IC22	$t_{v(SCLL-SDAV)}$	Valid time, SDA valid after SCL low	For I ² C bus devices		0		μ s
IC23	$t_{w(SDAH)}$	Pulse duration, SDA high between STOP and START conditions	4.7		1.3		μ s
IC24	$t_{r(SDA)}$	Rise time, SDA	1000		$20 + 0.1C_b^{(1)}$	300	ns
IC25	$t_{r(SCL)}$	Rise time, SCL	1000		$20 + 0.1C_b^{(1)}$	300	ns
IC26	$t_{f(SDA)}$	Fall time, SDA	300		$20 + 0.1C_b^{(1)}$	300	ns
IC27	$t_{f(SCL)}$	Fall time, SCL	300		$20 + 0.1C_b^{(1)}$	300	ns
IC28	$t_{d(SCLH-SDAH)}$	Delay time, SCL high to SDA high for a STOP condition	4		0.6		μ s
IC29	C_p	Capacitance for each I ² C pin		10		10	pF

(1) C_b = total capacitance of one bus line in pF. If mixed with HS-mode devices, faster fall-times are allowed.

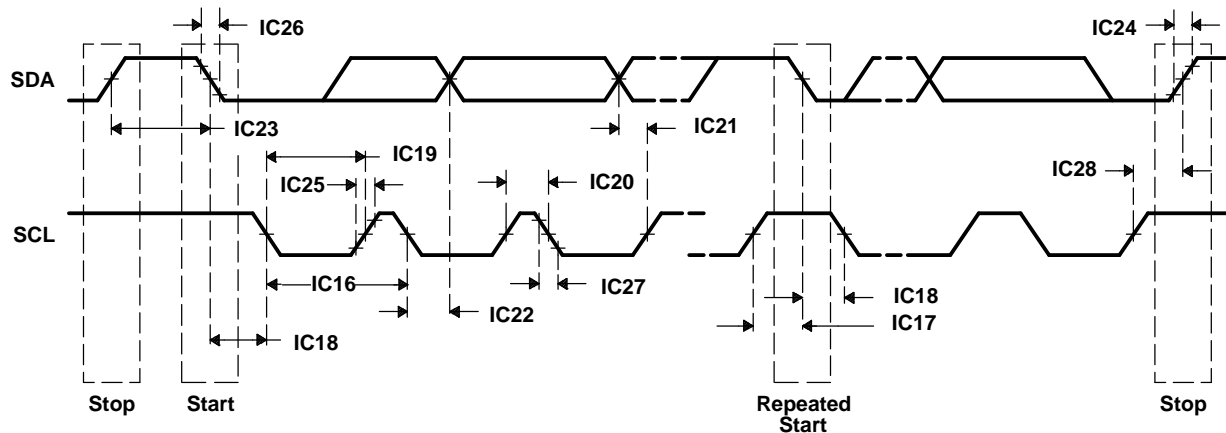


Figure 5-48. I²C Transmit Timings

5.18 Universal Asynchronous Receiver/Transmitter (UART) Timings

Table 5-50 to Table 5-51 assume testing over recommended operating conditions (see Figure 5-49).

Table 5-50. UART Timing Requirements

NO.			VC5502-200 VC5502-300		UNIT
			MIN	MAX	
U4	$t_{w(UDB)R}$	Pulse width, receive data bit	$0.96U^{(1)}$	$1.05U^{(1)}$	ns
U5	$t_{w(USB)R}$	Pulse width, receive start bit	$0.96U^{(1)}$	$1.05U^{(1)}$	ns

(1) $U = \text{UART baud time} = 1/\text{programmed baud rate}$

Table 5-51. UART Switching Characteristics

NO.	PARAMETER	VC5502-200 VC5502-300		UNIT
		MIN	MAX	
U1	f_{baud}	Maximum programmable baud rate		5 MHz
U2	$t_{w(UDB)X}$	$U - 2^{(1)}$	$U + 2^{(1)}$	ns
U3	$t_{w(USB)X}$	$U - 2^{(1)}$	$U + 2^{(1)}$	ns

(1) $U = \text{UART baud time} = 1/\text{programmed baud rate}$

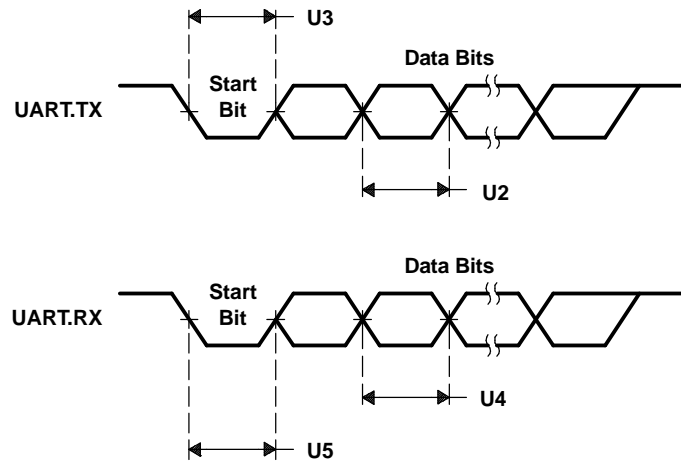


Figure 5-49. UART Timings

6 Mechanical Data

Some TMX samples were shipped in the GGW package. For more information on the GGW package, see the *TMS320VC5502 and TMS320VC5501 Digital Signal Processors Silicon Errata* (literature number SPRZ020D or later).

TMS320VC5502PGF has completed Temp Cycle reliability qualification testing with no failures through 1500 cycles of -55°C to 125°C following an EIA/JEDEC Moisture Sensitivity Level 4 pre-condition at $220+5/-0^{\circ}\text{C}$ peak reflow. Exceeding this peak reflow temperature condition or storage and handling requirements may result in either immediate device failure post-reflow, due to package/die material delamination (“popcorning”), or degraded Temp cycle life performance.

Please note that Texas Instruments (TI) also provides MSL, peak reflow and floor life information on a bar-code label affixed to dry-pack shipping bags. Shelf life, temperature and humidity storage conditions and re-bake instructions are prominently displayed on a nearby screen-printed label.

6.1 Package Thermal Resistance Characteristics

Table 6-1 and Table 6-2 provide the thermal resistance characteristics for the recommended package types used on the TMS320VC5502 DSP.

NOTE

Some TMX samples were shipped in the GGW package. For more information on the GGW package, see the *TMS320VC5502 and TMS320VC5501 Digital Signal Processors Silicon Errata* (literature number SPRZ020D or later).

Table 6-1. Thermal Resistance Characteristics (Ambient)

PACKAGE		$R_{\Theta JA}$ ($^{\circ}\text{C}/\text{W}$)	BOARD TYPE ⁽¹⁾	AIRFLOW (LFM)
GZZ, ZZZ	(Without thermal vias)	94	High-K	0
		93	High-K	150
		91	High-K	250
		87	High-K	500
		117	Low-K	0
		114	Low-K	150
		109	Low-K	250
		101	Low-K	500
	(With thermal vias) ⁽²⁾	39	High-K	0
		37	High-K	150
		36	High-K	250
		34	High-K	500

- (1) Board types are as defined by JEDEC. Reference JEDEC Standard JESD51-9, Test Boards for Area Array Surface Mount Package Thermal Measurements.
- (2) Adding thermal vias will significantly improve the thermal performance of the device. To use the thermal balls on the GZZ and ZZZ packages:
 - An array of 25 land pads must be added on the top layer of the PCB where the package will be mounted.
 - The PCB land pads should be the same diameter as the vias in the package substrate for optimal Board Level Reliability Temperature Cycle performance.
 - The land pads on the PCB should be connected together and to PCB through-holes. The PCB through-holes should in turn be connected to the ground plane for heat dissipation.
 - A solid internal plane is preferred for spreading the heat.
 Refer to the *MicroStar BGA™ Packaging Reference Guide* (literature number SSYZ015) for guidance on PCB design, surface mount, and reliability considerations.

Table 6-1. Thermal Resistance Characteristics (Ambient) (continued)

PACKAGE	R _{θJA} (°C/W)	BOARD TYPE ⁽¹⁾	AIRFLOW (LFM)
PGF	60	High-K	0
	52	High-K	150
	49	High-K	250
	45	High-K	500
	104	Low-K	0
	81	Low-K	150
	73	Low-K	250
	64	Low-K	500

Table 6-2. Thermal Resistance Characteristics (Case)

PACKAGE	R _{θJC} (°C/W)	BOARD TYPE ⁽¹⁾
GZZ, ZZZ	22	2s JEDEC Test Card
PGF	13.2	2s JEDEC Test Card

(1) Board types are as defined by JEDEC. Reference JEDEC Standard JESD51-9, Test Boards for Area Array Surface Mount Package Thermal Measurements.

6.2 Packaging Information

ORDERABLE DEVICE	STATUS ⁽¹⁾	PACKAGE TYPE	PACKAGE DRAWING	PINS	PACKAGE QTY	ECO-STATUS ⁽²⁾	MSL, PEAK TEMP ⁽³⁾
TMS320VC5502GZZ200	Active	BGA	GZZ	201	126	N/A	Level-3-220C-168HR
TMS320VC5502GZZ300	Active	BGA	GZZ	201	1	N/A	Level-3-220C-168HR
TMS320VC5502PGF200	Active	LQFP	PGF	176	40	N/A	Level-4-220C-72HR
TMS320VC5502PGF300	Active	LQFP	PGF	176	1	N/A	Level-4-220C-72HR
TMS320VC5502ZZZ200	Active	BGA	ZZZ	201	40	Green	Level-3-260C-168HR
TMS320VC5502ZZZ300	Active	BGA	ZZZ	201	126	Green	Level-3-260C-168HR
TMX320VC5502GZZ200	Active	BGA	GZZ	201			
TMX320VC5502GZZ300	Active	BGA	GZZ	201			
TMX320VC5502PGF200	Active	LQFP	PGF	176			
TMX320VC5502PGF300	Active	LQFP	PGF	176			

⁽¹⁾ The marketing status values are defined as follows:

PREVIEW: Device has been announced but is not in production. Samples may or may not be available.

ACTIVE: Active device available for purchase from a TI Authorized Distributor.

NRND: Not recommended for new designs. Device is in production to support existing customers, but TI does not recommend using this part in a new design.

LIFEBUY: TI has announced that the device will be discontinued and a lifetime-buy period is in effect.

OBSOLETE: TI has discontinued production of the device.

⁽²⁾ Eco-Status Information — Additional details including specific material content can be accessed at www.ti.com/leadfree.

N/A: Not yet available Lead (Pb)-Free; for estimated conversion dates, go to www.ti.com/leadfree.

Pb-Free: TI defines "Lead (Pb)-Free" or "Pb-Free" to mean RoHS compatible, including a lead concentration that does not exceed 0.1% of total product weight, and, if designed to be soldered, suitable for use in specified lead-free soldering processes. **Green:** TI defines "Green" to mean Lead (Pb)-Free and in addition, uses package materials that do not contain halogens, including bromine (Br), or antimony (Sb) above 0.1% of total product weight.

Green: TI defines "Green" to mean Lead (Pb)-Free and in addition, uses package materials that do not contain halogens, including bromine (Br), or antimony (Sb) above 0.1% of total product weight.

⁽³⁾**MSL, Peak Temp.**— The Moisture Sensitivity Level rating according to the JEDEC industry standard classifications and peak solder temperature.

The following mechanical package diagram(s) reflect the most current released mechanical data available for the designated device(s).

PACKAGING INFORMATION

Orderable Device	Status ⁽¹⁾	Package Type	Package Drawing	Pins	Package Qty	Eco Plan ⁽²⁾	Lead/Ball Finish	MSL Peak Temp ⁽³⁾
TMS320VC5502GZZ200	ACTIVE	BGA MI CROSTAR	GZZ	201	126	TBD	SNPB	Level-3-220C-168HR
TMS320VC5502GZZ300	ACTIVE	BGA MI CROSTAR	GZZ	201	126	TBD	SNPB	Level-3-220C-168HR
TMS320VC5502PGF200	ACTIVE	LQFP	PGF	176	40	Green (RoHS & no Sb/Br)	CU NIPDAU	Level-4-260C-72HR
TMS320VC5502PGF300	ACTIVE	LQFP	PGF	176	40	Green (RoHS & no Sb/Br)	CU NIPDAU	Level-4-260C-72HR
TMS320VC5502ZZZ200	ACTIVE	BGA MI CROSTAR	ZZZ	201	126	Green (RoHS & no Sb/Br)	SNAGCU	Level-3-260C-168HR
TMS320VC5502ZZZ300	ACTIVE	BGA MI CROSTAR	ZZZ	201	126	Green (RoHS & no Sb/Br)	SNAGCU	Level-3-260C-168HR
TMX320VC5502GZZ200	OBSOLETE	BGA MI CROSTAR	GZZ	201		TBD	Call TI	Call TI
TMX320VC5502GZZ300	OBSOLETE	BGA MI CROSTAR	GZZ	201		TBD	Call TI	Call TI
TMX320VC5502PGF200	OBSOLETE	LQFP	PGF	176		TBD	Call TI	Call TI
TMX320VC5502PGF300	OBSOLETE	LQFP	PGF	176		TBD	Call TI	Call TI

⁽¹⁾ The marketing status values are defined as follows:

ACTIVE: Product device recommended for new designs.

LIFEBUY: TI has announced that the device will be discontinued, and a lifetime-buy period is in effect.

NRND: Not recommended for new designs. Device is in production to support existing customers, but TI does not recommend using this part in a new design.

PREVIEW: Device has been announced but is not in production. Samples may or may not be available.

OBSOLETE: TI has discontinued the production of the device.

⁽²⁾ Eco Plan - The planned eco-friendly classification: Pb-Free (RoHS) or Green (RoHS & no Sb/Br) - please check <http://www.ti.com/productcontent> for the latest availability information and additional product content details.

TBD: The Pb-Free/Green conversion plan has not been defined.

Pb-Free (RoHS): TI's terms "Lead-Free" or "Pb-Free" mean semiconductor products that are compatible with the current RoHS requirements for all 6 substances, including the requirement that lead not exceed 0.1% by weight in homogeneous materials. Where designed to be soldered at high temperatures, TI Pb-Free products are suitable for use in specified lead-free processes.

Green (RoHS & no Sb/Br): TI defines "Green" to mean Pb-Free (RoHS compatible), and free of Bromine (Br) and Antimony (Sb) based flame retardants (Br or Sb do not exceed 0.1% by weight in homogeneous material)

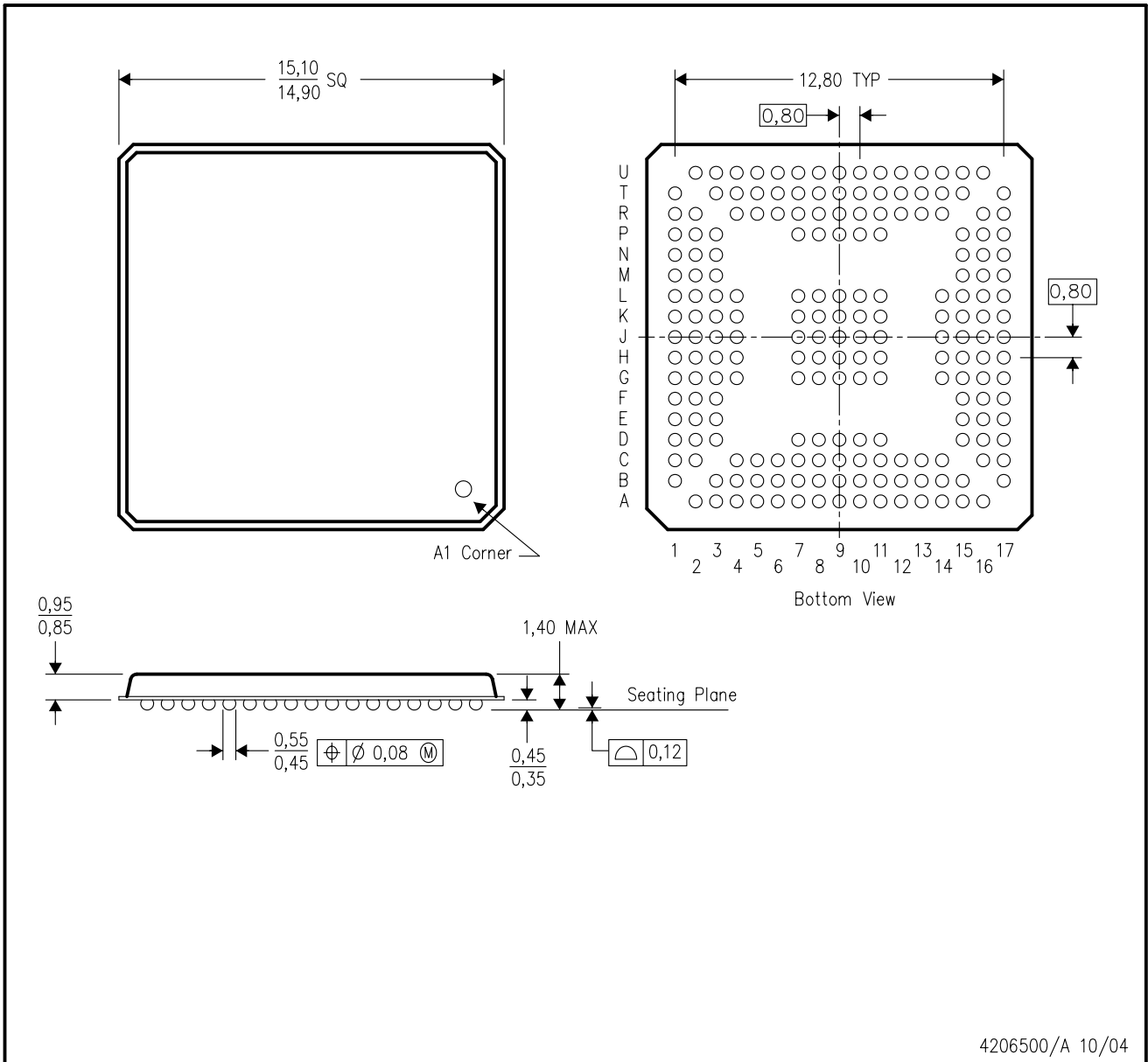
⁽³⁾ MSL, Peak Temp. -- The Moisture Sensitivity Level rating according to the JEDEC industry standard classifications, and peak solder temperature.

Important Information and Disclaimer:The information provided on this page represents TI's knowledge and belief as of the date that it is provided. TI bases its knowledge and belief on information provided by third parties, and makes no representation or warranty as to the accuracy of such information. Efforts are underway to better integrate information from third parties. TI has taken and continues to take reasonable steps to provide representative and accurate information but may not have conducted destructive testing or chemical analysis on incoming materials and chemicals. TI and TI suppliers consider certain information to be proprietary, and thus CAS numbers and other limited information may not be available for release.

In no event shall TI's liability arising out of such information exceed the total purchase price of the TI part(s) at issue in this document sold by TI to Customer on an annual basis.

ZZZ (S-PBGA-N201)

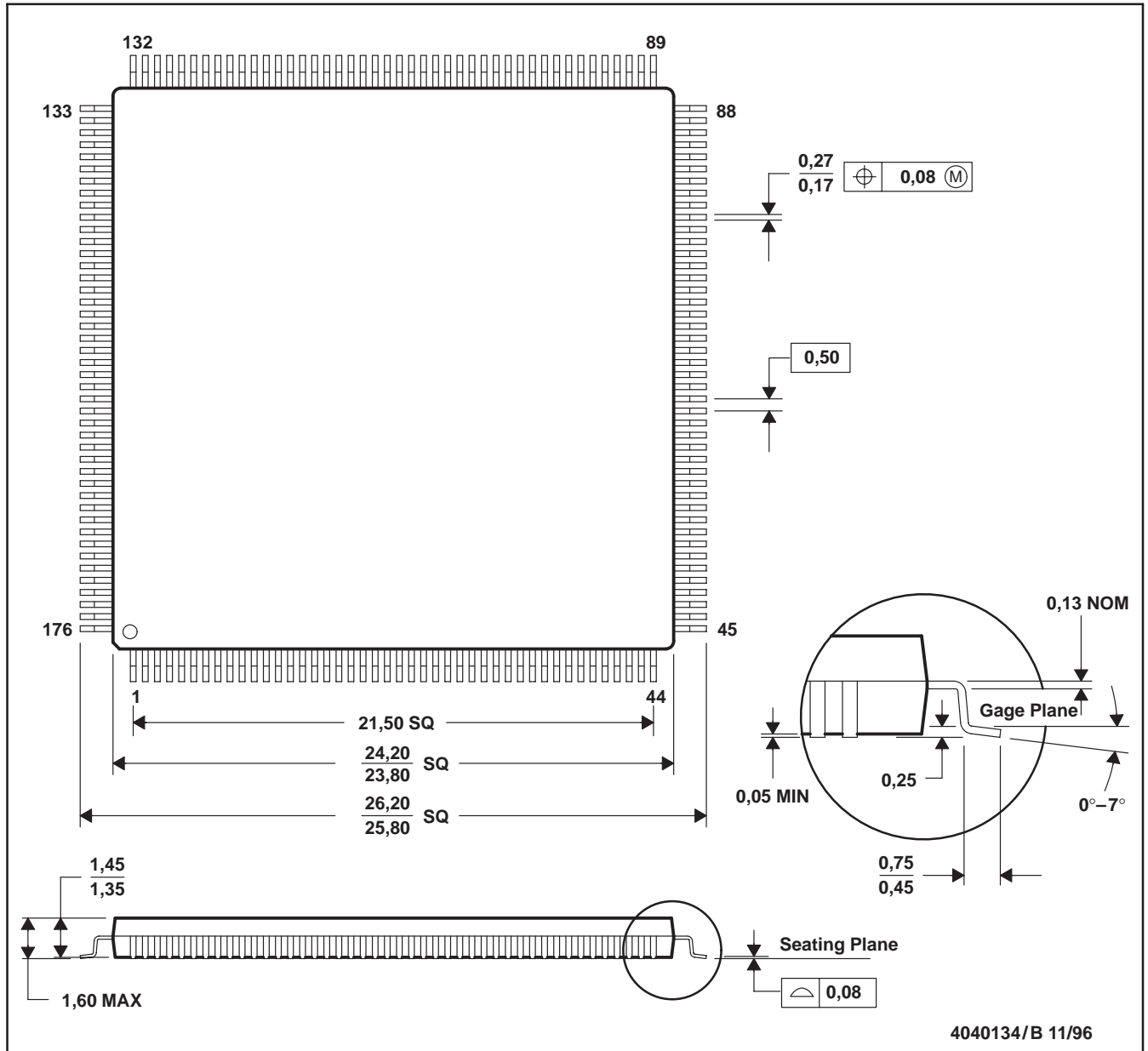
PLASTIC BALL GRID ARRAY



- NOTES:
- A. All linear dimensions are in millimeters.
 - B. This drawing is subject to change without notice.
 - C. This package is lead-free.

PGF (S-PQFP-G176)

PLASTIC QUAD FLATPACK



- NOTES: A. All linear dimensions are in millimeters.
 B. This drawing is subject to change without notice.
 C. Falls within JEDEC MS-026

4040134/B 11/96

IMPORTANT NOTICE

Texas Instruments Incorporated and its subsidiaries (TI) reserve the right to make corrections, modifications, enhancements, improvements, and other changes to its products and services at any time and to discontinue any product or service without notice. Customers should obtain the latest relevant information before placing orders and should verify that such information is current and complete. All products are sold subject to TI's terms and conditions of sale supplied at the time of order acknowledgment.

TI warrants performance of its hardware products to the specifications applicable at the time of sale in accordance with TI's standard warranty. Testing and other quality control techniques are used to the extent TI deems necessary to support this warranty. Except where mandated by government requirements, testing of all parameters of each product is not necessarily performed.

TI assumes no liability for applications assistance or customer product design. Customers are responsible for their products and applications using TI components. To minimize the risks associated with customer products and applications, customers should provide adequate design and operating safeguards.

TI does not warrant or represent that any license, either express or implied, is granted under any TI patent right, copyright, mask work right, or other TI intellectual property right relating to any combination, machine, or process in which TI products or services are used. Information published by TI regarding third-party products or services does not constitute a license from TI to use such products or services or a warranty or endorsement thereof. Use of such information may require a license from a third party under the patents or other intellectual property of the third party, or a license from TI under the patents or other intellectual property of TI.

Reproduction of information in TI data books or data sheets is permissible only if reproduction is without alteration and is accompanied by all associated warranties, conditions, limitations, and notices. Reproduction of this information with alteration is an unfair and deceptive business practice. TI is not responsible or liable for such altered documentation.

Resale of TI products or services with statements different from or beyond the parameters stated by TI for that product or service voids all express and any implied warranties for the associated TI product or service and is an unfair and deceptive business practice. TI is not responsible or liable for any such statements.

Following are URLs where you can obtain information on other Texas Instruments products and application solutions:

Products		Applications	
Amplifiers	amplifier.ti.com	Audio	www.ti.com/audio
Data Converters	dataconverter.ti.com	Automotive	www.ti.com/automotive
DSP	dsp.ti.com	Broadband	www.ti.com/broadband
Interface	interface.ti.com	Digital Control	www.ti.com/digitalcontrol
Logic	logic.ti.com	Military	www.ti.com/military
Power Mgmt	power.ti.com	Optical Networking	www.ti.com/opticalnetwork
Microcontrollers	microcontroller.ti.com	Security	www.ti.com/security
		Telephony	www.ti.com/telephony
		Video & Imaging	www.ti.com/video
		Wireless	www.ti.com/wireless

Mailing Address: Texas Instruments
Post Office Box 655303 Dallas, Texas 75265