

Power Cord with IEC Appliance Plug C7, angled, 70°C

new



C7



70°C

**Description**

Power Supply Cord / Interconnection Cord, Protection class II, Pin temperature 70 °C, Cable

Approvals

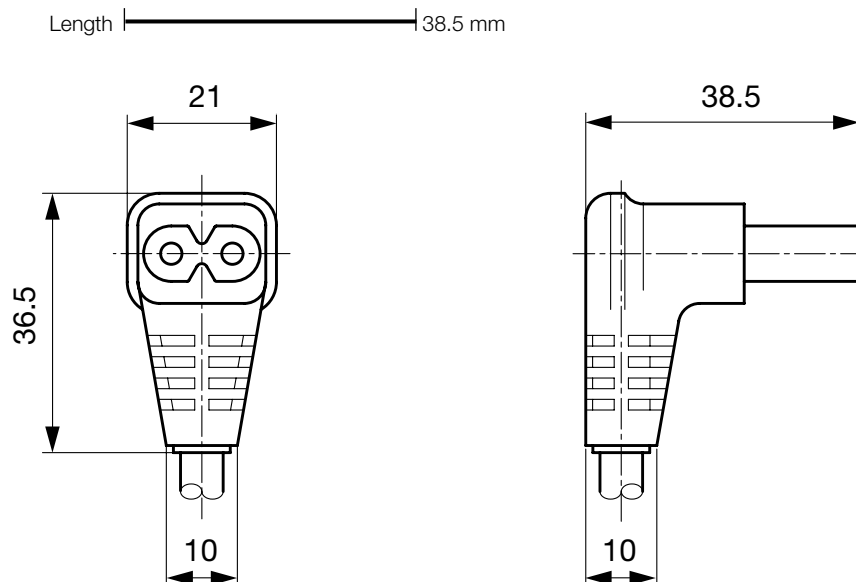
- VDE License Number: 40005800
- CSA License Number: 1020530

Weblinks

[Approvals](#), [RoHS](#), [CHINA-RoHS](#), [e-Store](#), [SCHURTER-Stock-Check](#), [Distributor-Stock-Check](#), [Product Configurator](#)

Technical Data

Ratings IEC	2.5 A / 250 VAC; 50 Hz	Appliance-Inlet/-Outlet	C7 acc. to IEC/EN 60320-1 UL 498, CSA C22.2 no. 42 (for cold conditions) pin-temperature 70 °C, 2.5 A, Protection class II
Ratings UL/CSA	2.5 A / 250 VAC; 60 Hz		
Dielectric Strength	> 3 kVDC between L-N > 1.5 kVAC between L/N-PE (1 min/50 Hz)		
Allowable Operation Temp.	-25 °C to 70 °C		
Degree of Protection	from front side IP 20 acc. to IEC 60529		
Protection Class	Suitable for appliances with protection class II acc. to IEC 61140		
Terminal	moulded		
Material: Housing	black or grey		

Dimensions

Order Code

Product Configurator

Type - R - 2511 - D - Length

The characters are placeholders for the correspondingly keys of selections from the key tables.
Typ steht für den Stecker bzw. 2. Seite, Länge ist die Leitungslänge in mm.

Type - R - 2511 - D - Length = cord end 2

cord end 2

zzzz, 2225, 2228, 2711, 2712, 2730, 2731, 4121, 4190, 607B, 608B, 609B

Type - R - 2511 - D - Length = corde type

corde type

Configuration key

Configuration key	corde type
B	H03VH2-F 2x0,75mm2
E	H05VH2-F 2x0,75mm2
L	SPT 2x18AWG
M	SVT 2x18AWG

General Product Information see page XXX

Type - R - 2511 - D - Length = Color

Color

Configuration key

Configuration key	Color
A	jet black; RAL9005
B	silver grey; RAL7001

Standard color: black

Type - R - 2511 - D - Length = Leitungslänge

Leitungslänge

zzzz, 000500, 001000, 001500, 002000, 002500, 003000, 005000

cord length in mm

Mating Inlets/Plugs

Category / Description

Appliance Inlet



IEC appliance inlet C8, screw-on mounting, rear side, PCB-/solder terminal	0720-FP
IEC appliance inlet C8, screw-on mounting, rear side, solder terminal	0720-FS
IEC appliance inlet C8, snap-in mounting, front side, solder terminal	0721-PP
IEC appliance inlet C8, snap-in mounting, front side, solder terminal	0721-PS
IEC appliance inlet C8, insert mounting, solder/PCB/quick connect terminal	2572
IEC appliance inlet C8, screw-on mounting, front side, solder/quick connect terminal	2573
IEC appliance inlet C8, screw-on mounting, front/rear side, solder/quick connect terminal	2576
IEC appliance inlet C8, snap-in mounting, front side, solder/quick connect terminal	2578

Interconnection Cord



Power Cord with IEC Appliance Plug C, angled, 70°C	2711
Power Cord with IEC Appliance Plug C, angled, 70°C	2712
Power Cord with IEC Appliance Plug C, straight, 70°C	2730
Power Cord with IEC Appliance Plug C, straight, 70°C	2731

Power Entry Module



IEC Appliance Connector C8 with Line Switch 1-pole	CMF1, CMF4
--	------------