



## GENERAL DESCRIPTION

The 3B30 & 3B31 are narrow-bandwidth (3Hz) single-channel signal conditioning modules which amplify, isolate, filter and protect analog input voltages and provide simultaneous precision voltage and current outputs. Each module performs complete signal conditioning, including isolating (+1500V peak input-to-output and power) and protecting their computer side outputs from damage and loss of signal integrity, and shielding their inputs from damage from field-side over-voltage faults up to 220V rms. The current output withstands 130V rms without damage and interfaces user equipment through screw terminals located on the 3B Series backplane. Each plug-in, mix-and-match, hot-swappable module is easily field calibrated via front-panel zero and span adjustments for both voltage and current outputs.

3B Series Custom-Ranging Program – Externally-programmable Models 3B30-00 and 3B31-00, enable the user to configure a special input range by using the optional plug-on AC1310 ranging card, which houses user-supplied resistors to determine zero and span. To facilitate selecting resistors, a Windows program, 3B-CUSTOM, calculates resistor values based on the user-desired input/output ranges.

A chopper-stabilized low-drift ( $\pm 1\mu\text{V}/^\circ\text{C}$ ) input amplifier assures stable long-term stability. At the amplifier input, a stable, zero-scale input voltage is subtracted from the input signal to

set the zero-scale value. Zero suppression can exceed 100% of the input range. This is ideal for expanded-scale applications requiring high-resolution measurement of a selected portion of an input signal. For users convenience, the zero and span can be factory configured to meet custom range needs (Models 3B30-CUSTOM and 3B31-CUSTOM) or can be externally programmed (Models 3B30-00 and 3B31-00) via user supplied resistors inserted in the optional AC1310 plug-on ranging card. Internal low-pass filtering with a 4Hz cutoff (-3dB) two-pole Butterworth filter enhances both 60dB normal-mode and 160 dB common-mode rejection at 50/60 Hz, enabling accurate measurement of small signals in high electrical noise.

Signal isolation is accomplished by transformer coupling with a proprietary modulation technique for linear, stable and reliable performance. The differential input circuit on the field side is fully floating, eliminating the need for any input grounding. A demodulator on the computer side of the signal transformer recovers the original signal, which is then filtered and buffered to provide a low-noise, low-impedance output voltage; this output also drives a voltage-to-current (V/I) converter to provide a simultaneous current output for interfacing versatility.



Figure 2

## 3B30 and 3B31 Models Available

Model	Input Range	Output Ranges <sup>1</sup>
<b>3B30-00</b>	Externally Programmable <sup>2</sup>	-10 V to +10 V & 0 mA to 20 mA
<b>3B30-01</b>	-10 mV to +10 mV	-10 V to +10 V & 0 mA to 20 mA
<b>3B30-02</b>	-50 mV to +50 mV	-10 V to +10 V & 0 mA to 20 mA
<b>3B30-03</b>	-100 mV to +100 mV	-10 V to +10 V & 0 mA to 20 mA
<b>3B30-Custom</b>	*	*
<b>3B31-00</b>	Externally Programmable <sup>2</sup>	-10 V to +10 V & 0 mA to 20 mA
<b>3B31-01</b>	-1 V to +1 V	-10 V to +10 V & 0 mA to 20 mA
<b>3B31-02</b>	-5 V to +5 V	-10 V to +10 V & 0 mA to 20 mA
<b>3B31-03</b>	-10 V to +10 V	-10 V to +10 V & 0 mA to 20 mA
<b>3B31-Custom</b>	*	-10 V to +10 V & 0 mA to 20 mA

<sup>1</sup> Output current range may be user programmed to 4 mA to 20 mA using jumper supplied.

<sup>2</sup> Requires AC1310 ranging card.

\* Custom Input/Output ranges are available. Refer to configuration guide.

## 3B30 and 3B31 Specifications (typical @ +25°C and ±15 V dc, and +24 V dc Power)

Description	Model 3B30	Model 3B31
<b>Input Range</b>		
Standard Ranges	±10 mV to ±100 mV	±1 V to ±10 V
Custom Ranges	±5 mV to ±500 mV	±0.5 V to ±20 V
<b>Output Range</b>		
Voltage ( $R_L > 2 \text{ K}\Omega$ )	-10 V to +10 V	*
Current ( $R_L = 0$ to $850\Omega$ ) <sup>1</sup>	4 mA to 20 mA or 0 mA to 20 mA	*
Maximum Current Output Span	0 mA to 31 mA	*
<b>Accuracy<sup>2</sup></b>		
Initial @ +25°C	±0.1% Span	*
Nonlinearity	±0.01% Span	*
<b>Stability vs. Temperature</b>		
Voltage Output		
Zero	±1 $\mu\text{V}/^\circ\text{C}$ (RTI)	±25 ppm of Span/ $^\circ\text{C}$
Span	±25 ppm of Reading/ $^\circ\text{C}$	*
Current Output <sup>3</sup>		
Zero	±25 ppm of Span/ $^\circ\text{C}$	*
Span	±25 ppm of Reading/ $^\circ\text{C}$	*
<b>Zero and Span Adjustment Range<sup>4</sup></b>	±5% of Span	*

<b>Input Bias Current</b>	+3 nA	*
<b>Input Resistance</b>	15 M $\Omega$	650 k $\Omega$
<b>Noise</b>		
Input, 0.1 Hz to 10 Hz Bandwidth	0.2 $\mu$ V rms	*
Output, 100 kHz Bandwidth	50 $\mu$ V rms	*
<b>Bandwidth, -3 dB</b>	3 Hz	*
<b>Output Rise Time, 10% to 90% Span</b>	200 ms	*
<b>Common-Mode Voltage (CMV)</b>		
Input-to-Output, Continuous	$\pm$ 1500 V peak, maximum	*
Transient	ANSI/IEEE C37.90.1-1989	*
<b>Common Mode Rejection (CMR)</b>		
1 k $\Omega$ Source Imbalance, 50/60 Hz	160 dB	160 dB 150 dB (3B31-02); 145 dB (3B31-03)
<b>Normal Mode Rejection, 50/60 Hz</b>	60 dB	*
<b>Input Protection</b>		
Continuous	220 V rms maximum	*
Transient	ANSI/IEEE C37.90.1-1989	*
<b>Voltage Output Protection</b>	Continuous Short to Ground	*
<b>Current Output Protection</b>	130 V rms, continuous	*
<b>Power Supply Voltages <sup>5</sup></b>		
<b><math>\pm</math>15 V dc Supplies</b>		
Rated Operation	$\pm$ (11.5 V dc to 16.5 V dc)	*
Current	$\pm$ 10 mA	*
Sensitivity	$\pm$ 0.01% span/V	*
<b>+24 V dc Loop Supply</b>		
Rated Operation	+12 V dc to +30 V dc	*
Current	+27 mA @ $I_{out} = 20$ mA	*
Sensitivity	$\pm$ 0.0002% span/V	*
<b>Mechanical Dimensions</b>	3.15" x 3.395" x 0.775" (80.0 mm x 86.2 mm x 19.7 mm)	*
<b>Environmental</b>		
<b>Temperature Range</b>		
Rated Performance	-25°C to +85°C	*
Storage	-55°C to +85°C	*
Relative Humidity, 24 hours	0 to 95% @ +60°C non-condensing	*
RFI Susceptibility	$\pm$ 0.5% Span error @ 400 MHz, 5 Watt, 3 ft	*

\* Specifications same as model 3B30.

<sup>1</sup> For a 0 to 20 mA range, a typical minimum output current is 10  $\mu$ A.

<sup>2</sup> Includes the combined effects of repeatability, hysteresis, and nonlinearity.

<sup>3</sup> With respect to the voltage output.

<sup>4</sup> A wide range of custom zero suppression and span is available with the 3B30-00 and 3B31-00 models, using the AC1310 ranging card.

<sup>5</sup> +24 V dc loop power is required for driving the current output at loads up to 850 $\Omega$ . If a current output load of 400 $\Omega$  or less is applied, +15 V dc is sufficient for loop power. If only voltage output is used, loop power is not required.

Specifications subject to change without notice.

## PIN CONFIGURATIONS AND FUNCTIONAL DESCRIPTIONS

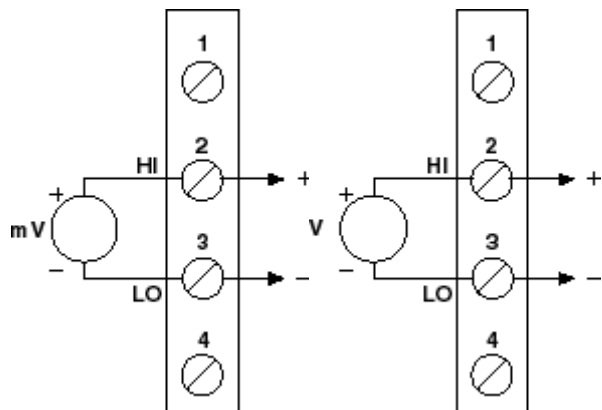


Figure 3 3B30 & 3B31 Input Field Connections

Table 1. Pin Function Descriptions—

Pin No.	Description
1	n/c
2	HI
3	LO
4	n/c

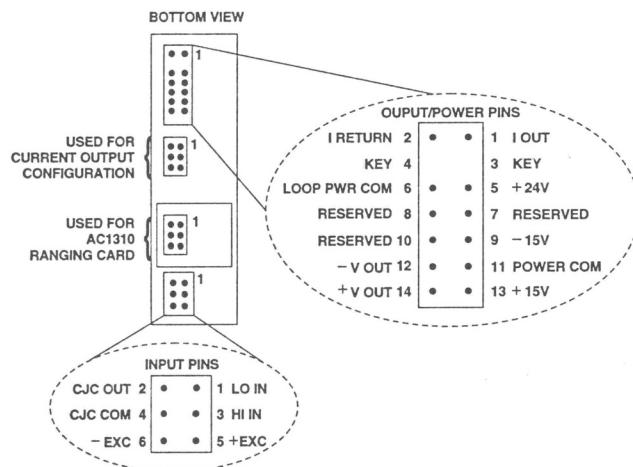


Figure 4 . Model 3B Series Module, with pin-out assignments.

### ESD CAUTION

ESD (electrostatic discharge) sensitive device. Electrostatic charges as high as 4000 V readily accumulate on the human body and test equipment and can discharge without detection. Although this product features proprietary ESD protection circuitry, permanent damage may occur on devices subjected to high energy electrostatic discharges. Therefore, proper ESD precautions are recommended to avoid performance degradation or loss of functionality.



OUTLINE DIMENSIONS

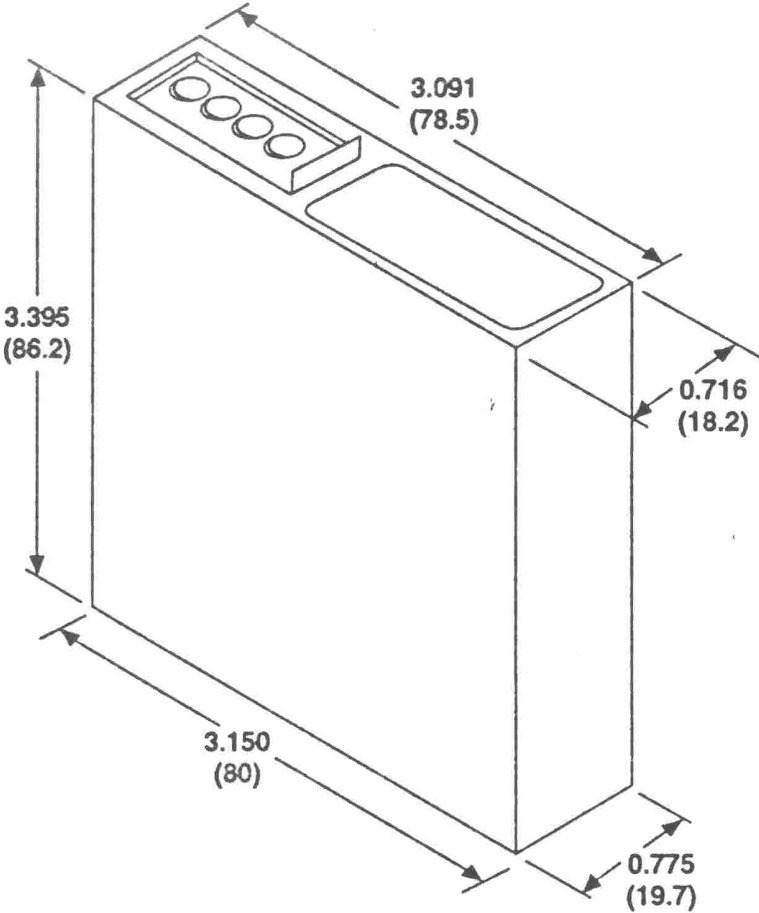


Figure 5. Outline Dimensions

**NOTES**

**NOTES**