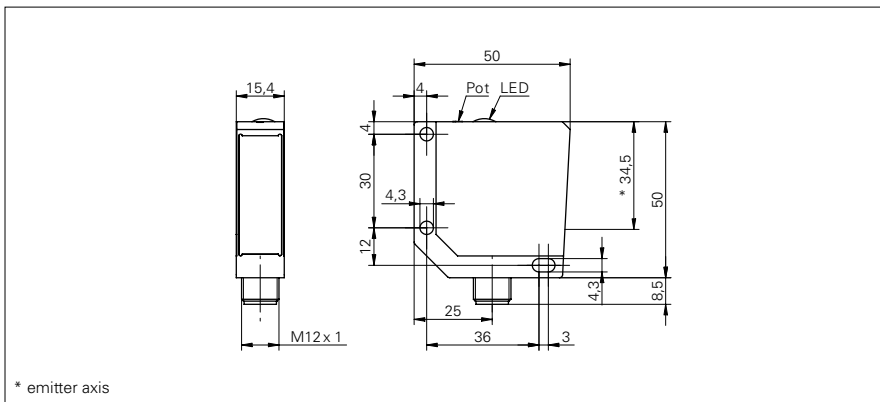


## Diffuse sensors with background suppression

## OHDM 16 (Laser)

### sample drawing



### general data

type	background suppression
light source	pulsed red laser diode
sensing distance $T_w$	25 ... 300 mm
sensing range $T_b$ (at $T_w$ max.)	40 ... 300 mm
sensing range $T_b$ (at $T_w$ min.)	5 ... 25 mm
repeat accuracy	< 0,1 mm at laser focus
output indicator	LED yellow
sensing distance adjustment	mechanical, 8 turn
laser class	2
wave length	650 nm

### electrical data

voltage supply range +Vs	10 ... 30 VDC
current consumption max. (no load)	35 mA
current consumption typ.	25 mA
voltage drop Vd	< 2 VDC
output function	light / dark operate
output current	< 200 mA
short circuit protection	yes
reverse polarity protection	yes

### mechanical data

width / diameter	15,4 mm
height / length	50 mm
depth	50 mm
type	rectangular
housing material	die-cast zinc
front (optics)	glass

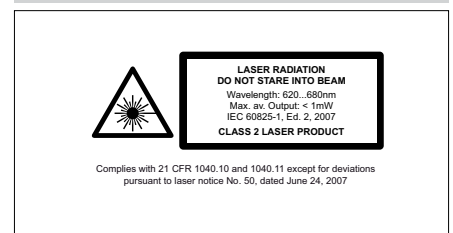
### ambient conditions

operating temperature	-10 ... +50 °C
protection class	IP 67

### sample picture



### laser warning



**Diffuse sensors with  
background suppression****OHDM 16 (Laser)**

<b>order reference</b>	<b>connection types</b>	<b>output circuit</b>	<b>response time / release time</b>	<b>distance to focus</b>	<b>suppression of reciprocal influence</b>
<b>OHDM 16N5001</b>	cable 4 pin, 2 m	NPN	< 0,6 ms	80 mm	yes
<b>OHDM 16N5001/S14</b>	connector M12 4 pin	NPN	< 0,6 ms	80 mm	yes
<b>OHDM 16P5001</b>	cable 4 pin, 2 m	PNP	< 0,6 ms	80 mm	yes
<b>OHDM 16P5001/S14</b>	connector M12 4 pin	PNP	< 0,6 ms	80 mm	yes
<b>OHDM 16P5002/S14</b>	connector M12 4 pin	PNP	< 0,6 ms	40 mm	yes
<b>OHDM 16P5012</b>	cable 4 pin, 2 m	PNP	< 0,1 ms	60 mm	-
<b>OHDM 16P5012/S14</b>	connector M12 4 pin	PNP	< 0,1 ms	60 mm	-