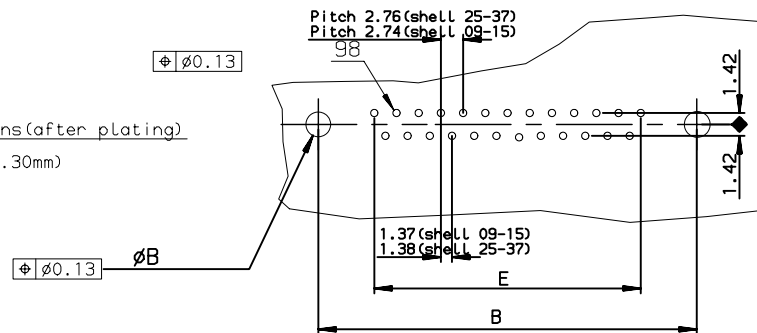


SHELL	A±0.38	B±0.12	C±0.10	D±0.25	E±0.07	PART NUMBER	PART NUMBER
09	30.81	24.99	16.96	16.79	10.96	D09P90C4PL00	D09P90C6PL00
15	39.14	33.32	25.18	25.12	19.18	D15P90C4PL00	D15P90C6PL00
25	53.03	47.04	39.12	38.84	33.12	D25P90C4PL00	D25P90C6PL00
37	69.32	63.50	55.68	55.30	49.68	D37P90C4PL00	D37P90C6PL00
						gold flash	0.76µ gold

PC board drilling dimensions (after plating)
(thickness ≤ 3.20±0.30mm)



REQUIREMENTS

Technical characteristics:

- Shell: steel tin plated
- Insulators: self-extinguishing thermoplastic, UL class 94V0
- Contacts: phosphor bronze, gold (for thickness see table) over 2µ mini nickel on active area and flash to 1.5µ maxi SnPb over 1µ mini nickel on termination
- Cycles: 200 min for plating 4; 500 min for plating 6

Accessories:

Threaded insert : M 3, brass, tin plated retention against torque 1.2N.m minimum

Electrical characteristics:

- max. current rating: 5A
- Test voltage: 1000V
- Rated voltage: 300V
- Contact resistance: ≤ 10mΩ
- Shell resistance: ≤ 5mΩ
- Insulation resistance: ≥ 5000MΩ

Climatic characteristics:

Operating temperature range: -55°C +125°C

Dimensions:

in accordance with MIL-C-24308B and DIN41652

PCB HOLE DEFINITION		
	ØA	ØB
DRILLED HOLE	Ø1.15±0.03	Ø3.22±0.03
COPPER PLATING	25µ mini	
TIN-LEAD PLATING	5µ mini	
FINISHED HOLE AFTER REFLOW	Ø0.94-1.09	Ø3.02-3.20

rev	ecn no	dr	date
A	-	SJO	1996/06/08
B	LS08-0137	MPE	2008/06/06
-	-	-	-
-	-	-	-
-	-	-	-
-	-	-	-

www.fciconnect.com		surface ISO 1302 ✓	tolerance std ISO 406 ISO 1101	projection mm
TOLERANCES UNLESS OTHERWISE SPECIFIED				
Dr	JOUBERT	1996/06/08	ANGULAR	0.X ±0.1
Eng	JOUBERT	1996/06/08	LINEAR	0.XX ±0.1
Chr	LEGARE	1996/06/08	0.XX' ±2'	0.XXX ±0.1
Appr	LEGARE	1996/06/08	Product family	SUB
title MALE DELTA D LOW PROFIL			projection A3	
catalog no			size ECN LS08-0137	
straight compliant press fit			Spec ref -	
dwg no C01-8646-0471			Scale 2	
Rev. B			CUSTOMER sheet 1 of 1	

European Views

Copyright FCI. FCI