

# SERIES M

## SUBMINIATURE/MULTI-FUNCTION

A-25-13

### DISTINCTIVE FEATURES

Antirotation feature is standard on noncylindrical levers.

Antijamming design on toggle switches protects contacts from damage due to excessive downward force on the actuator.

High torque bushing construction prevents rotation or separation from frame during installation.

Stainless steel frame resists corrosion.

Patented silver contacts of specially composed alloy for hardness.

High insulating barriers, formed in the molded diallylphthalate case, increase isolation of circuits in multipole devices and provide added protection to contact points.

Epoxy sealed terminals prevent entry of solder flux and other contaminants.

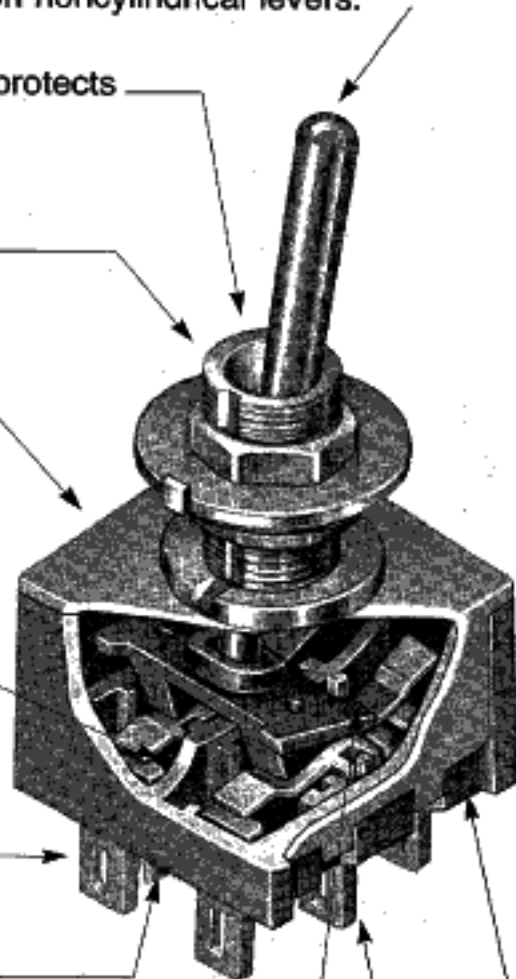
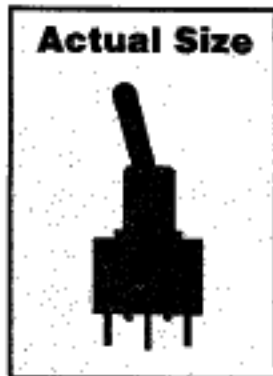
Prominent external insulating barriers increase insulation resistance and dielectric strength.

Interlocked actuator block prevents switch failure due to biased lever movement.

Longer center solder lug terminal simplifies wiring and soldering.

Clinching of the frame to the case well above the base and terminals provides 1500V dielectric strength.

**Actual Size**



Toggles  
Rockers  
Pushbuttons  
Slides

# NHK<sup>®</sup> SERIES M TOGGLE SWITCHES

A-25-13

Toggles

## SUBMINIATURE/MULTI-FUNCTION

### GENERAL SPECIFICATIONS

|  |   |
|--|---|
| <b>Electrical Capacity:<br/>(Resistive Load)</b> | 6A @ 125V AC & 3A @ 250V AC<br>6A @ 30V DC<br>0.4VA maximum @ 28V AC/DC maximum<br>(Applicable Range 0.1mA ~ 0.1A @ 20mV ~ 28V) |
| <b>Contact Resistance:</b>                       | 10 milliohms maximum for silver<br>20 milliohms maximum for gold  |
| <b>Insulation Resistance:</b>                    | 1,000 megohms minimum @ 500V DC   |
| <b>Dielectric Strength:</b>                      | 1,000V AC minimum between contacts<br>1,500V AC minimum between contacts and case   |
| <b>Mechanical Life:</b>                          | 100,000 operations minimum<br>50,000 operations minimum for flat, locking, & splashproof devices                                |
| <b>Electrical Life:</b>                          | 25,000 operations minimum for silver<br>50,000 operations minimum for gold  |
| <b>Ambient Temp Range:</b>                       | -15°C through +85°C (+5°F through +185°F)<br>Optional low temperature lubricant available                                       |
| <b>Toggle Angle of Throw:</b>                    | 25°   |
| <b>Nominal Operating Force:</b>                  | 400 grams for Single Pole<br>450 grams for Double Pole<br>700 grams for Three Pole<br>800 grams for Four Pole                   |

### MATERIALS & FINISHES

|                     |  |
|---------------------|--|
| Toggle              | Brass with chrome plating  |
| Bushing             | Brass with nickel plating  |
| Frame               | Stainless steel  |
| Case                | Diallylphthalate resin (UL 94V-0)  |
| Movable Contactor   | Phosphor bronze with silver or gold plating*   |
| Movable Contacts    | Silver alloy (code W); or silver alloy with gold plating* over nickel (code A); or copper with gold plating* over nickel (code G)                  |
| Stationary Contacts | Silver with silver plating (code W); or silver with gold plating* over nickel (code A); or copper or brass with gold plating* over nickel (code G) |
| Terminals           | Copper or brass with silver plating; or copper or brass with gold plating over nickel  |

\* Gold plating on contacts is 1 micron minimum.

### BIAS GUARD

When the lever is pushed in a diagonal direction instead of the mechanism's direction of operation, biased movement is transmitted to the actuator block and causes misalignment of contacts. However, internal construction of the M Series case prevents this biased movement.

### ANTIROTATION DESIGN

Three of the M Series toggle types are designed with the antirotation feature: the flatted toggles which are coded E, E2, E3, E4, F and R; the locking levers L and L1; and the snap top toggles which receive the paddle cap and which are coded K1 and K2.

The bottom portion of all these toggles has two flatted sides which fit into a complementary opening inside the bushing. Turning of the toggle is prevented by the specially designed fit of these two structures.



# NKK<sup>®</sup> SERIES M TOGGLE SWITCHES

## SUBMINIATURE/MULTI-FUNCTION/UNBRACKETED

### TYPICAL UNBRACKETED

**M20**
**1**
**3**
**S**
**S1**

| POLES |                      |
|-------|----------------------|
| 1     | SPST<br>SPDT         |
| 2     | DPST<br>DPDT<br>SP3T |
| 3     | 3PDT                 |
| 4     | 4PDT<br>DP3T         |

#### TOGGLES

|     |                               |
|-----|-------------------------------|
| S   | .413" Bat                     |
| S2  | .200" Bat                     |
| S3  | .256" Bat                     |
| E   | .450" Flatted                 |
| E2  | .256" Flatted                 |
| E3  | .646" Flatted                 |
| *E4 | .840" Flatted                 |
| F   | .450" Flatted for Splashproof |
| Q   | .550" Cone                    |
| Q2  | .640" Cone                    |
| *Q4 | .840" Cone                    |
| M   | .748" Column                  |
| *C  | .571" Color Tipped Cone       |
| *D  | .840" Color Capped Cone       |
| *N  | .748" Color Tipped Column     |
| K1  | .370" Paddle                  |
| K2  | .559" Paddle                  |

Toggle dimensions are based on use with .350" bushing; add .070" to toggle length when combining with a .280" bushing. Specify cap color for toggles C, D, N, K1 & K2 at the end of the part number.  
\* Available on 1 & 2 pole only.

|    |                          |
|----|--------------------------|
| L  | .201" Dia. Locking Lever |
| L1 | .214" Dia. Locking Lever |

|    |                     |
|----|---------------------|
| B  | .453" Large Bat     |
| B2 | .689" Large Bat     |
| R  | .610" Large Flatted |

#### BUSHINGS

| 1/4"-40 Dia. Threaded & .244 Dia. Smooth |  |
|--|--|
| S1                                       | .350" Threaded with Keyway   |
| S2                                       | .350" Smooth with Keyway   |
| D1                                       | .350" Threaded with D Flat   |
| A1                                       | .280" Threaded with Keyway   |
| A2                                       | .280" Smooth with Keyway   |
| D3                                       | .350" Threaded Splashproof with D Flat (combines only with S, S2, S3, and F toggles) |
| 6mm Diameter Threaded                    |  |
| S4                                       | .350" Threaded with Keyway   |

| 1/4"-40 Dia. Threaded & .244" Dia. Smooth |   |
|---|---|
| L1  | Threaded with Keyway for Lever Lock                   |
| L2  | Smooth with Keyway for Lever Lock                     |
| L3  | .295" Threaded Splashproof with D Flat for Lever Lock |

| 12mm Diameter Threaded |  |
|------------------------|--|
| B1                     | Large .472" Threaded with Keyway             |
| B3                     | Large .472" Threaded Splashproof with D Flat |

#### CIRCUITS

|     |      |      |      |
|-----|------|------|------|
| *1  | ON   | NONE | OFF  |
| 2   | ON   | NONE | ON   |
| 3   | ON   | OFF  | ON   |
| 5   | ON   | NONE | (ON) |
| 8   | (ON) | OFF  | (ON) |
| 9   | ON   | OFF  | (ON) |
| **4 | ON   | ON   | ON   |
| **6 | (ON) | ON   | (ON) |
| **7 | ON   | ON   | (ON) |

( ) = Momentary

\* ON-NONE-OFF circuit available in 1- and 2-pole only.

\*\* 3-ON circuits available with 2- and 4- pole bases only.

# SWITCH ORDERING EXAMPLE

**W**      **01**      —           

| CONTACT MATERIALS & RATINGS |  |
|-----------------------------|--|
| <b>W</b>                    | Silver Rated 6A @ 125V AC & 3A @ 250V AC                       |
| <b>A</b>                    | Gold over Silver Rated 6A @ 125 AC & 0.4VA max @ 28V AC/DC max |
| <b>G</b>                    | Gold Rated 0.4VA max @ 28V AC/DC max                           |

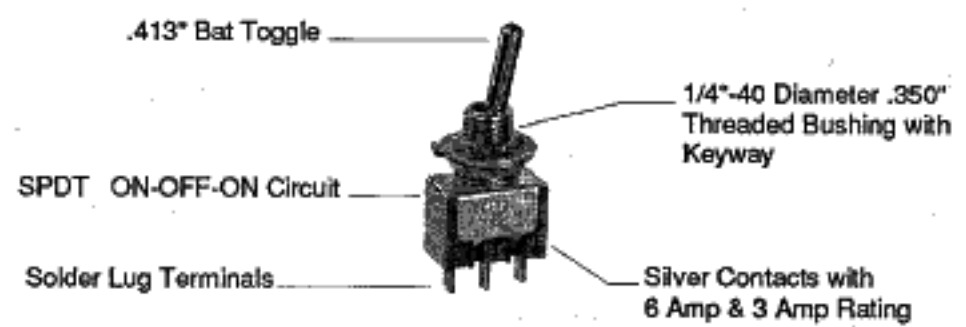
| OPTIONAL CAPS |                              |
|---------------|------------------------------|
| <b>B</b>      | For S Bat Toggle             |
| <b>C</b>      | Conical Cap for S Bat Toggle |
| <b>R</b>      | For B Toggle                 |
| <b>V</b>      | For B2 Toggle                |

| CAP COLORS |        |
|------------|--------|
| <b>A</b>   | Black  |
| <b>B</b>   | White  |
| <b>C</b>   | Red    |
| <b>E</b>   | Yellow |
| <b>F</b>   | Green  |
| <b>G</b>   | Blue   |

| TERMINALS |                   |
|-----------|-------------------|
| <b>01</b> | Solder Lug        |
| <b>02</b> | Quick Connect     |
| <b>03</b> | .250" Straight PC |
| <b>05</b> | .425" Wirewrap    |
| <b>06</b> | .750" Wirewrap    |
| <b>07</b> | .964" Wirewrap    |
| <b>08</b> | 1.062" Wirewrap   |

## DESCRIPTION FOR TYPICAL ORDERING EXAMPLE (M2013SS1W01)

### SERIES M TOGGLE




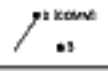

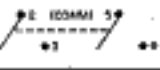

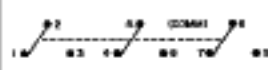
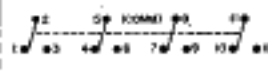
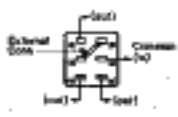
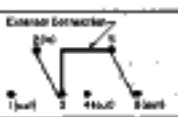
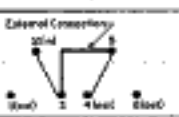
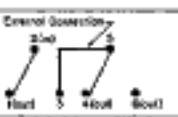
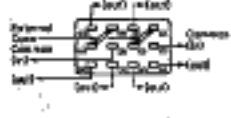
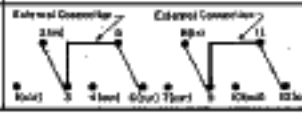
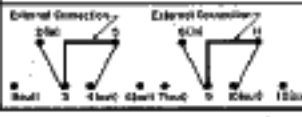
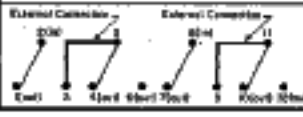


**IMPORTANT:** Switches are supplied without UL & CSA marking unless specified. See Supplement for instructions.

# NKK® SERIES M TOGGLE SWITCHES

A-25-13

## SUBMINIATURE/MULTI-FUNCTION/UNBRACKETED

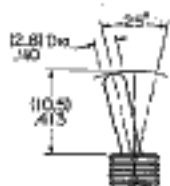
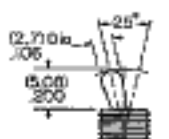
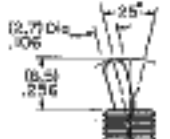
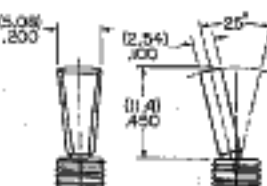
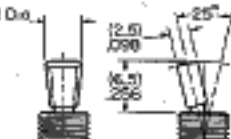
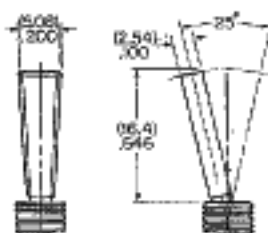
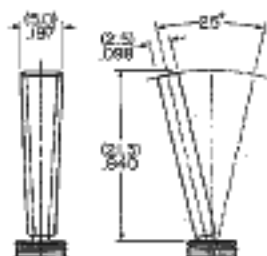
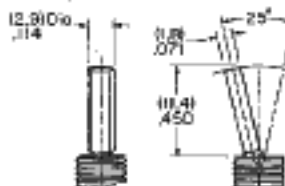
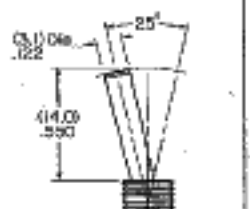
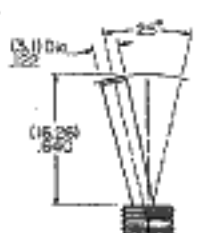
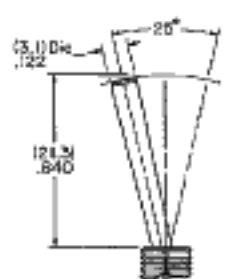
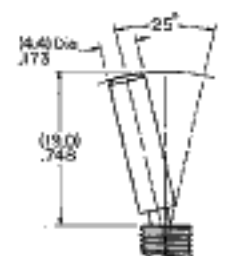
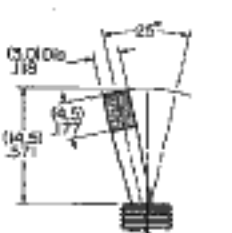
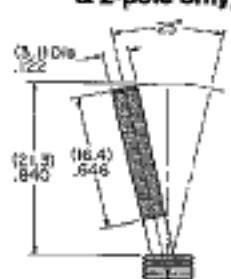
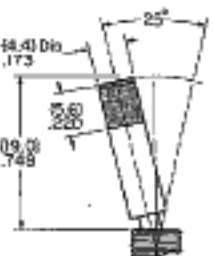
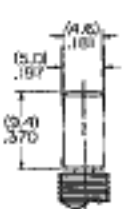
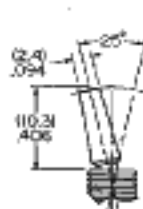

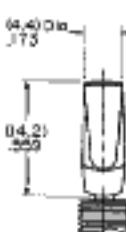
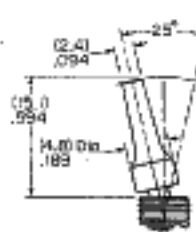

| POLES AND CIRCUITS  |        |  |  |  |   |  |
|---|--------|--|--|--|---|--|
| POLE & THROW  | MODEL  | TOGGLE POSITION & TERMINAL NUMBERS   |  |  | SCHEMATICS  |  |
|   |        | ( ) = Momentary  |  |  |   |  |
|   |        | Down  | Center  | Up  |   |  |
| SPST  | M2011  | ON   | NONE   | OFF  |    |  |
| CONNECTED TERMINALS   |        | 2-3  | OPEN   | OPEN   |   |  |
| SPDT  | M2012  | ON   | NONE   | ON   |    |  |
|   | M2013  | ON   | OFF  | ON   |   |  |
|   | M2015* | ON   | NONE   | (ON)   |   |  |
|   | M2018  | (ON)   | OFF  | (ON)   |   |  |
|   | M2019* | ON   | OFF  | (ON)   |   |  |
| CONNECTED TERMINALS   |        | 2-3  | OPEN   | 2-1  |   |  |
| DPST  | M2021  | ON   | NONE   | OFF  |    |  |
| CONNECTED TERMINALS   |        | 2-3 5-6  | OPEN   | OPEN   |   |  |
| DPDT  | M2022  | ON   | NONE   | ON   |    |  |
|   | M2023  | ON   | OFF  | ON   |   |  |
|   | M2025* | ON   | NONE   | (ON)   |   |  |
|   | M2028  | (ON)   | OFF  | (ON)   |   |  |
|   | M2029* | ON   | OFF  | (ON)   |   |  |
| CONNECTED TERMINALS   |        | 2-3 5-6  | OPEN   | 2-1 5-4  |   |  |
| 3PDT  | M2032  | ON   | NONE   | ON   |  |  |
|   | M2033  | ON   | OFF  | ON   |   |  |
|   | M2035  | ON   | NONE   | (ON)   |   |  |
|   | M2038  | (ON)   | OFF  | (ON)   |   |  |
|   | M2039  | ON   | OFF  | (ON)   |   |  |
| CONNECTED TERMINALS   |        | 2-3 5-6 8-9  | OPEN   | 2-1 5-4 8-7  |   |  |
| 4PDT  | M2042  | ON   | NONE   | ON   |  |  |
|   | M2043  | ON   | OFF  | ON   |   |  |
|   | M2045  | ON   | NONE   | (ON)   |   |  |
|   | M2048  | (ON)   | OFF  | (ON)   |   |  |
|   | M2049  | ON   | OFF  | (ON)   |   |  |
| CONNECTED TERMINALS   |        | 2-3 5-6 8-9 11-12  | OPEN   | 2-1 5-4 8-7 11-10  |   |  |
| * Reverse circuits available upon request. Terminal numbers are not actually on switches. |        |  |  |  |   |  |
| SP3T  | M2024  | ON   | ON   | ON   | The SP3T model is a conversion of the DPDT.   |  |
|   | M2026  | (ON)   | ON   | (ON)   |   |  |
| M2027   | ON     | ON   | (ON)   |  |   |  |
| CONNECTED TERMINALS W/O EXTERNAL CONNECTIONS  |        | 2-3 5-6  | 2-3 5-4  | 2-1 5-4  |  |  |
| SCHEMATIC WITH EXTERNAL CONNECTIONS   |        |     |       |   | The DP3T model is a conversion of the 4PDT.   |  |
| DP3T  | M2044  | ON   | ON   | ON   | The external connections must be made during field installation.                      |  |
|   | M2046  | (ON)   | ON   | (ON)   |   |  |
| M2047   | ON     | ON   | (ON)   |  |   |  |
| CONNECTED TERMINALS W/O EXTERNAL CONNECTIONS  |        | 2-3 5-6 8-9 11-12  | 2-3 5-4 8-9 11-10  | 2-1 5-4 8-7 11-10  |  |  |
| SCHEMATIC WITH EXTERNAL CONNECTIONS   |        |     |      |   |   |  |

# NHK® SERIES M TOGGLE SWITCHES

## SUBMINIATURE/MULTI-FUNCTION/UNBRACKETED

### TOGGLES

All the toggles are brass with a standard finish of bright chrome; satin chrome and black finishes are available on request to the factory. Toggle dimensions are based on combination with the .350" bushing; add .070" to toggle length when combined with the .280" bushing.

|  |  |  |  |   |
|--|--|--|--|---|
| <p><b>S</b> .413" Bat</p>   | <p><b>S2</b> .200" Bat</p>    | <p><b>S3</b> .256" Bat</p>   | <p><b>E</b> .450" Flatted</p>   | <p><b>E2</b> .256" Flatted</p>   |
| <p><b>E3</b> .646" Flatted</p>   | <p><b>E4</b> .840" Flatted (available on 1 &amp; 2-pole only)</p>  | <p><b>F</b> .450" Flatted for Splashproof</p>   | <p><b>Q</b> .550" Cone</p>   | <p><b>Q2</b> .640" Cone</p>   |
| <p><b>Q4</b> .840" Cone (available on 1 &amp; 2-pole only)</p>    | <p><b>M</b> .748" Column</p>                                      | <p><b>C</b> .571" Color Tipped Cone (available on 1 &amp; 2-pole only)</p>  <p>Supplied with Cap AT445 Polycarbonate</p>   | <p><b>D</b> .840" Color Capped Cone (available on 1 &amp; 2-pole only)</p>  <p>Supplied with Cap AT460 Polyethylene</p> | <p><b>N</b> .748" Color Tipped Column (available on 1 &amp; 2-pole only)</p>  <p>Supplied with Cap AT441 Polypropylene</p> |
| <p><b>K1</b> .370" Paddle</p> <p>Supplied with Cap AT467 Nylon</p>    |  | <p><b>K2</b> .559" Paddle</p> <p>Supplied with Cap AT468 Nylon</p>    |  |   |
| <p>Colors Available: A Black B White C Red E Yellow F Green G Blue<br/>                 (H Gray is also available for AT467 &amp; AT468)<br/>                 For toggles C, D, N, K1 &amp; K2 the cap color code must be specified at the end of the part number.</p>   |  |  |  |   |

# NKK SERIES M TOGGLE SWITCHES

## SUBMINIATURE/MULTI-FUNCTION/UNBRACKETED

### TOGGLES

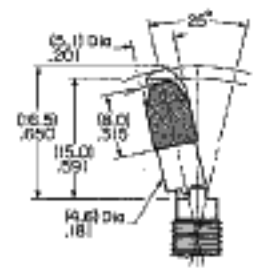
Locking toggles are brass with chrome plating, while the standard caps supplied with these toggles are nickel plated. A color code must be specified at the end of the part number to order the optional colored or brushed aluminum caps. Locking toggles can be combined only with L1, L2, and L3 bushings.

**L** .201" Dia. Locking Lever

Supplied with Cap AT427

Standard: Nickel Plated Brass

Optional: Colored or Brushed Aluminum

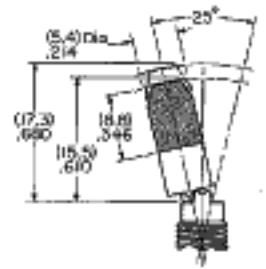


**L1** .214" Dia. Locking Lever

Supplied with Cap AT076

Standard: Nickel Plated Brass

Optional: Colored or Brushed Aluminum



Colors & Finish for Optional Aluminum: A Black C Red G Blue 9 Brushed Aluminum

### LOCKING MECHANISM



Circuit Code 2  
2 Position Lock



Circuit Code 5  
1 Position Lock



Circuit Codes 7 and 9  
2 Position Lock



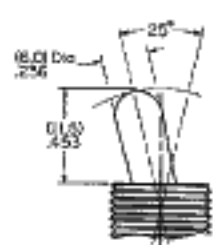
Circuit Codes 3 and 4  
3 Position Lock



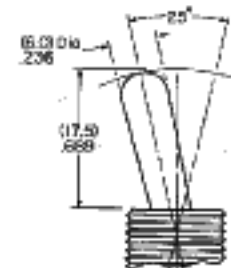
Circuit Codes 6 and 8  
1 Position Lock

Large toggles are brass with a standard finish of bright chrome; satin chrome and black finishes are available on request to the factory. These large toggles can be combined only with 12mm bushings.

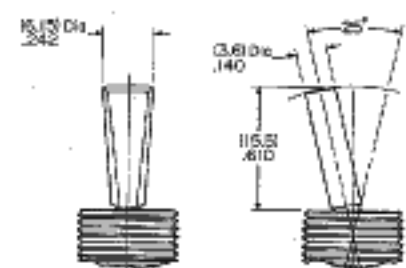
**B** .453" Large Bat



**B2** .689" Large Bat



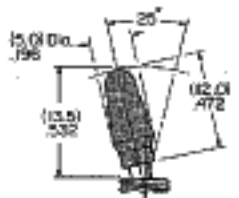
**R** .610 Large Flatted



### OPTIONAL CAPS

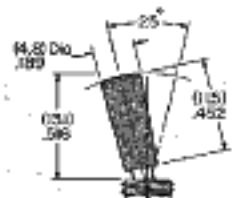
**B** AT415 For S Bat Toggle

Polyethylene



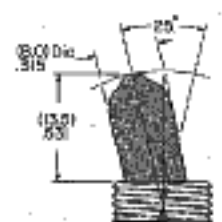
**C** AT444 Conical Cap for S Bat Toggle

Polyethylene



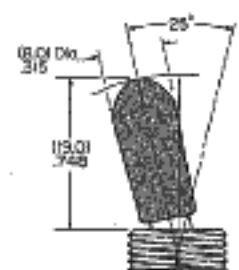
**R** AT434 For B Toggle

Vinyl Chloride



**V** AT406 For B2 Toggle

Vinyl Chloride



Colors Available: A Black B White C Red E Yellow F Green G Blue

# NKK SERIES M TOGGLE SWITCHES

Toggles

## SUBMINIATURE/MULTI-FUNCTION/UNBRACKETED

### BUSHINGS

| 1/4"-40 Diameter & 6mm Threaded & .244" Diameter Smooth                   |   |   | 12mm Diameter Threaded                                     |  |
|---|---|---|--|--|
| <p><b>S1</b> .350" Threaded w/Keyway<br/>1/4"-40</p> <p><b>S4</b> 6mm</p> | <p><b>S2</b> .350" Smooth w/Keyway</p>          | <p><b>D1</b> .350" Threaded w/D Flat</p>  | <p><b>B1</b> Large .472" Threaded w/Keyway</p>             |  |
| <p><b>A1</b> .280" Threaded w/Keyway</p>                                  | <p><b>A2</b> .280" Smooth w/Keyway</p>          | <p><b>D3</b> .350" Threaded Splashproof w/D Flat</p> <p>Combines only w/S, S2, S3, &amp; F toggles.</p> | <p><b>B3</b> Large .472" Threaded Splashproof w/D Flat</p> |  |
| <p><b>L1</b> Threaded w/Keyway for Lever Lock</p>                         | <p><b>L2</b> Smooth w/Keyway for Lever Lock</p> | <p><b>L3</b> .295" Threaded Splashproof w/D Flat for Lever Lock</p>                                     |  |  |

### CONTACT MATERIALS & RATINGS

**W** Silver over Silver  
Rated 6A @ 125V AC  
& 3A @ 250V AC

**A** Gold over Silver  
Rated 6A @ 125V AC  
& 0.4VA maximum @  
28V maximum AC/DC

**G** Gold over Brass or Copper  
Rated 0.4VA maximum @  
28V maximum AC/DC

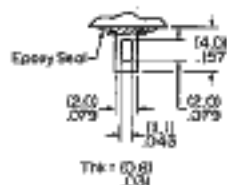


# NKK<sup>®</sup> SERIES M TOGGLE SWITCHES

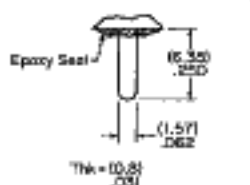
## SUBMINIATURE/MULTI-FUNCTION/UNBRACKETED

### TERMINALS & FOOTPRINTS

#### 01 Solder Lug

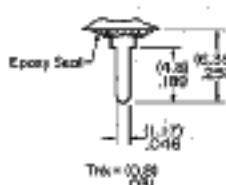


#### 02 .062" Wide Quick Connect



Typical mating connector  
AMP #60900-1

#### 03 .250" Straight PC



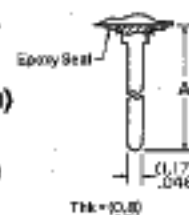
#### Wirewrap

05 .425" (10.8mm)

06 .750" (19.05mm)

07 .964" (24.5mm)

08 1.062" (27.0mm)

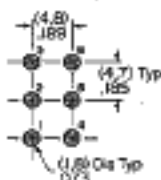


Dim. A = above terminal lengths.

#### Single Pole



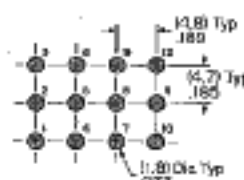
#### Double Pole



#### Three Pole



#### Four Pole



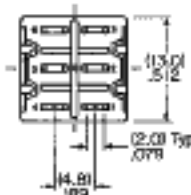
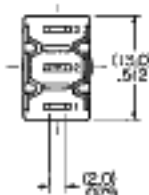
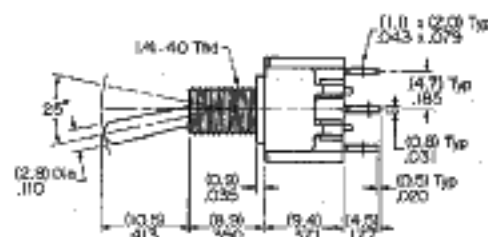
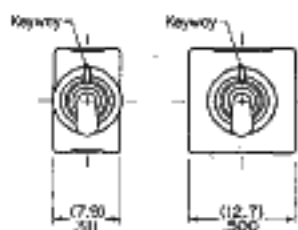
#### Soldering Time & Temperature Limits:

3 seconds at 350°C or  
5 seconds at 270°C.

#### Wiring Specs:

Solder lug terminals have a  
.043" X .079" oblong hole which accommodates  
1 solid 18-gauge wire or 2 solid or stranded 20-gauge wires.

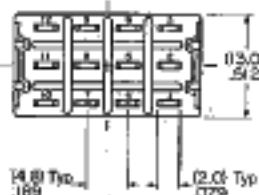
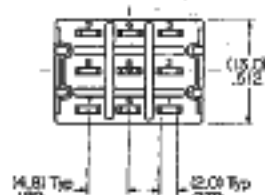
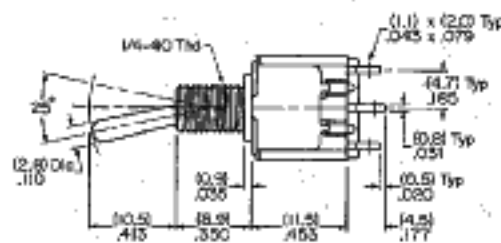
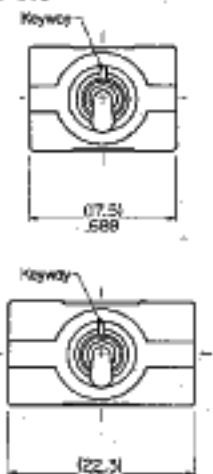
#### Solder Lug/Single & Double Pole



M2012SS1WO1 Model Shown

M2011 & M2021 models do not have terminals 1 & 4.

#### Solder Lug/Three & Four Pole



M2042SS1WO1 Model Shown

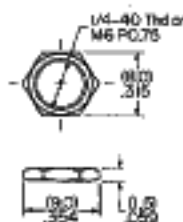
# NKK SERIES M TOGGLE SWITCHES

## SUBMINIATURE/MULTI-FUNCTION/UNBRACKETED

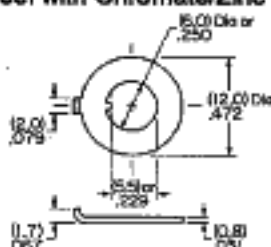
### STANDARD HARDWARE

For 1/4"-40 & 6mm Diameter Bushings

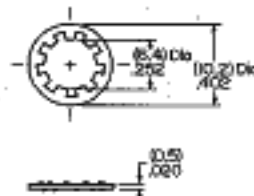
**AT513H for Inch**  
**AT513M for Metric**  
Hex Nut (2 per switch)  
Nickel/Brass



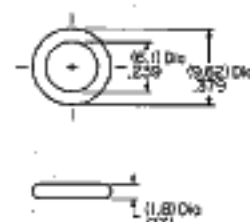
**AT507H for Inch**  
**AT507M for Metric**  
Locking Ring (1 per switch)  
Steel with Chromate/Zinc



**AT509**  
Lockwasher (1 per switch)  
Steel with Chromate/Zinc

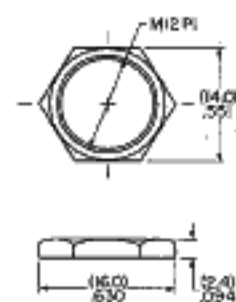


**AT516**  
O-ring for Splashproof  
Models (1 per switch)  
Nitrile Butadiene Rubber

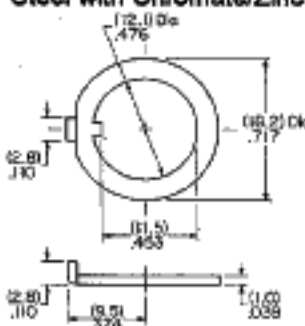


### 12mm Diameter Bushing

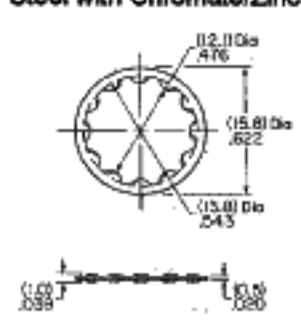
**AT503M**  
Hex Face Nut  
Chrome/Brass



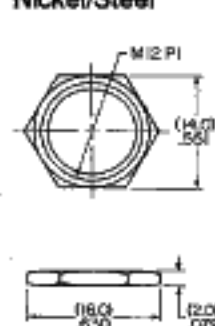
**AT506M**  
Locking Ring  
Steel with Chromate/Zinc



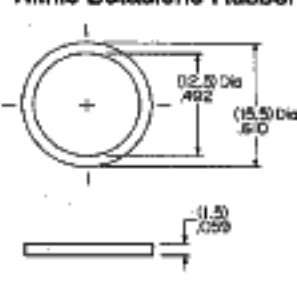
**AT508**  
Lockwasher  
Steel with Chromate/Zinc



**AT527M**  
Hex Nut  
Nickel/Steel



**AT537**  
O-ring for  
Splashproof Models  
Nitrile Butadiene Rubber



### OPTIONAL HARDWARE & ACCESSORIES

Various optional knurled or dress nuts and ON-OFF plates are available, as illustrated in the hardware & accessories sections.

### MAXIMUM EFFECTIVE PANEL THICKNESS & CUTOUTS

For 1/4"-40 & 6mm Diameter Bushings

| Threaded Length<br>Y | Hardware | Panel Thickness: |                    |                  |                              |                                      |
|----------------------|----------|------------------|--------------------|------------------|------------------------------|--------------------------------------|
|                      |          | Standard         | W/O Bottom Hex Nut | W/O Locking Ring | W/O L. Ring & Bottom Hex Nut | W/One Hex Nut & O-ring (Splashproof) |
| .315"                |          | 2.6mm/.102"      | 4.7mm/.185"        | 3.4mm/.134"      | 5.5mm/.216"                  | 4.9mm/.193"                          |
| .245"                |          | 0.8mm/.031"      | 2.9mm/.114"        | 1.6mm/.063"      | 3.7mm/.146"                  | Not Available                        |
| .221" Locking        |          | 1.2mm/.047"      | 3.2mm/.126"        | 2.0mm/.079"      | 4.0mm/.157"                  | 3.5mm/.138"                          |
|                      | Cutout:  |                  |                    |                  |                              |                                      |

For 12mm Diameter Bushing

| Threaded Length<br>Y | Hardware | Panel Thickness: |                    |                  |                              |                                      |
|----------------------|----------|------------------|--------------------|------------------|------------------------------|--------------------------------------|
|                      |          | Standard         | W/O Bottom Hex Nut | W/O Locking Ring | W/O L. Ring & Bottom Hex Nut | W/One Hex Nut & O-ring (Splashproof) |
| .393"                |          | 5.5mm/.216"      | 7.5mm/.295"        | 6.5mm/.256"      | 8.5mm/.335"                  | 6.5mm/.256"                          |
|                      | Cutout:  |                  |                    |                  |                              |                                      |