

OVERVIEW

The CF5014 series are fundamental frequency crystal oscillator ICs. They are available for frequencies up to 60MHz. The chip layout is optimized, resulting in a large reduction in chip size, when compared to existing devices.

FEATURES

- 2.7 to 5.5V operating supply voltage range
- Up to 60MHz oscillation frequency range
- - 40 to 85°C operating temperature range
- Oscillation capacitors built-in
 - $C_G = 18\text{pF}$, $C_D = 18\text{pF}$
- Inverter amplifier feedback resistor built-in
- Standby function
 - High impedance in standby mode, oscillator stops
- Low standby current
 - Power-save pull-up resistor built-in
- f_O , $f_O/2$, $f_O/4$, $f_O/8$, or $f_O/16$ output frequency, determined by internal connection
- CMOS output duty level (1/2VDD)
- Molybdenum-gate CMOS process
- Chip form (CF5014AL×)

SERIES CONFIGURATION

Version	Recommended operating frequency range ¹ [MHz]			Built-in capacitance [pF]		Output frequency	Standby function
	$V_{DD} = 2.7$ to 3.6V		$V_{DD} = 4.5$ to 5.5V	C_G	C_D		
	$C_L = 15\text{pF}$	$C_L = 30\text{pF}$	$C_L = 30\text{pF}$				
CF5014AL1	4 to 60	4 to 40	4 to 60	18	18	f_O	Yes
CF5014AL2						$f_O/2$	Yes
CF5014AL3						$f_O/4$	Yes
CF5014AL4						$f_O/8$	Yes
CF5014AL5						$f_O/16$	Yes

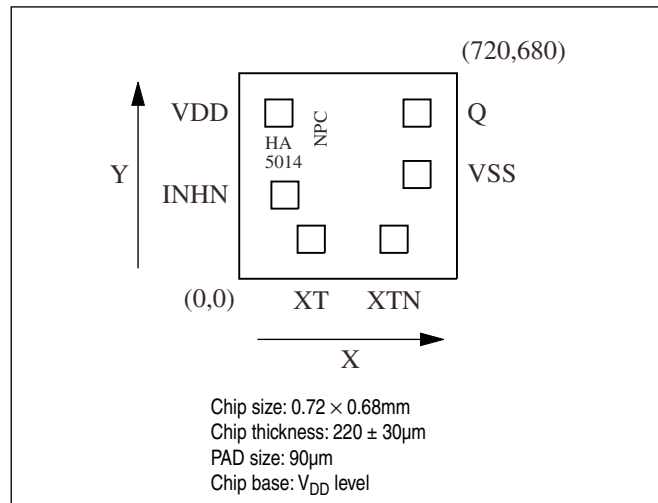
1. The recommended operating frequency is a yardstick value derived from the crystal used for NPC characteristics authentication. However, the oscillator frequency band is not guaranteed. Specifically, the characteristics can vary greatly due to crystal characteristics and mounting conditions, so the oscillation characteristics of components must be carefully evaluated.

ORDERING INFORMATION

Device	Package
CF5014AL×-2	Chip form

PAD LAYOUT

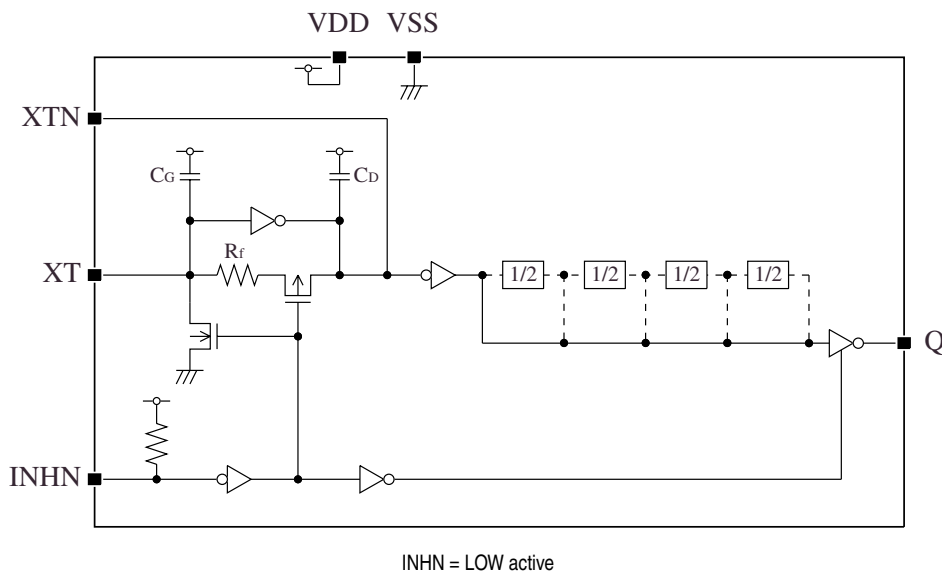
(Unit: μm)



PIN DESCRIPTION and PAD DIMENSIONS

Name	I/O	Description	Pad dimensions [μm]	
			X	Y
INHN	I	Output state control input. High impedance when LOW (oscillator stops). Power-saving pull-up resistor built-in.	151	277
XT	I	Amplifier input	238	131
XTN	O	Amplifier output		
Crystal connection pins. Crystal is connected between XT and XTN.			512	131
VSS	-	Ground	588	345
Q	O	Output. Output frequency ($f_O, f_{O/2}, f_{O/4}, f_{O/8}, f_{O/16}$) determined by internal connection	588	548
VDD	-	Supply voltage	131	548

BLOCK DIAGRAM



SPECIFICATIONS

Absolute Maximum Ratings

$$V_{SS} = 0V$$

Parameter	Symbol	Condition	Rating	Unit
Supply voltage range	V_{DD}		-0.5 to +7.0	V
Input voltage range	V_{IN}		-0.5 to $V_{DD} + 0.5$	V
Output voltage range	V_{OUT}		-0.5 to $V_{DD} + 0.5$	V
Operating temperature range	T_{opr}		-40 to +85	°C
Storage temperature range	T_{STG}		-65 to +150	°C
Output current	I_{OUT}		12	mA

Recommended Operating Conditions

3V operation

$$V_{SS} = 0V$$

Parameter	Symbol	Condition	Rating	Unit
Supply voltage	V_{DD}		2.7 to 3.6	V
Input voltage	V_{IN}		V_{SS} to V_{DD}	V
Operating temperature	T_{OPR}		-40 to +85	°C
Operating frequency	f_{OSC}	$C_L \leq 15pF$	4 to 60	MHz
		$C_L \leq 30pF$	4 to 40	MHz

5V operation

$$V_{SS} = 0V$$

Parameter	Symbol	Condition	Rating	Unit
Supply voltage	V_{DD}		4.5 to 5.5	V
Input voltage	V_{IN}		V_{SS} to V_{DD}	V
Operating temperature	T_{OPR}		-40 to +85	°C
Operating frequency	f_{OSC}	$C_L \leq 30pF$	4 to 60	MHz

Electrical Characteristics

3V operation

$V_{DD} = 2.7$ to $3.6V$, $V_{SS} = 0V$, $T_a = -40$ to $+85^{\circ}C$ unless otherwise noted.

Parameter	Symbol	Condition	Rating			Unit	
			min	typ	max		
HIGH-level output voltage	V_{OH}	Q: Measurement cct 1, $V_{DD} = 2.7V$, $I_{OH} = 4mA$	2.1	2.4	–	V	
LOW-level output voltage	V_{OL}	Q: Measurement cct 1, $V_{DD} = 2.7V$, $I_{OL} = 4mA$	–	0.3	0.4	V	
HIGH-level input voltage	V_{IH}	INH N	$0.7V_{DD}$	–	–	V	
LOW-level input voltage	V_{IL}	INH N	–	–	$0.3V_{DD}$	V	
Output leakage current	I_Z	Q: Measurement cct 2, INHN = LOW	$V_{OH} = V_{DD}$	–	–	10	μA
			$V_{OL} = V_{SS}$	–	–	10	μA
Current consumption	I_{DD}	Measurement cct 3, load cct 1, INH N = open, $C_L = 15pF$, $f = 60MHz$	CF5014AL1	–	6.5	13	mA
			CF5014AL2	–	4	8	mA
			CF5014AL3	–	3	6	mA
			CF5014AL4	–	2.5	5	mA
			CF5014AL5	–	2	4	mA
Standby current	I_{ST}	Measurement cct 3, INHN = LOW	–	–	5	μA	
INH N pull-up resistance	R_{UP1}	Measurement cct 4	2	6	18	$M\Omega$	
	R_{UP2}		30	100	300	$k\Omega$	
Feedback resistance	R_f	Measurement cct 5	100	300	600	$k\Omega$	
Built-in capacitance	C_G	Design value. A monitor pattern on a wafer is tested.	15.3	18	20.7	pF	
	C_D		15.3	18	20.7	pF	

CF5014 series

5V operation

$V_{DD} = 4.5$ to $5.5V$, $V_{SS} = 0V$, $T_a = -40$ to $+85^{\circ}C$ unless otherwise noted.

Parameter	Symbol	Condition	Rating			Unit	
			min	typ	max		
HIGH-level output voltage	V_{OH}	Q: Measurement cct 1, $V_{DD} = 4.5V$, $I_{OH} = 8mA$	3.9	4.2	–	V	
LOW-level output voltage	V_{OL}	Q: Measurement cct 1, $V_{DD} = 4.5V$, $I_{OL} = 8mA$	–	0.3	0.4	V	
HIGH-level input voltage	V_{IH}	INH N	$0.7V_{DD}$	–	–	V	
LOW-level input voltage	V_{IL}	INH N	–	–	$0.3V_{DD}$	V	
Output leakage current	I_Z	Q: Measurement cct 2, INHN = LOW	$V_{OH} = V_{DD}$	–	–	10	μA
			$V_{OL} = V_{SS}$	–	–	10	μA
Current consumption	I_{DD}	Measurement cct 3, load cct 1, INH N = open, $C_L = 30pF$, $f = 60MHz$	CF5014AL1	–	17	34	mA
			CF5014AL2	–	11.5	23	mA
			CF5014AL3	–	8.5	17	mA
			CF5014AL4	–	7	14	mA
			CF5014AL5	–	6	12	mA
Standby current	I_{ST}	Measurement cct 3, INHN = LOW	–	–	10	μA	
INH N pull-up resistance	R_{UP1}	Measurement cct 4	1	3	9	$M\Omega$	
	R_{UP2}		10	50	150	$k\Omega$	
Feedback resistance	R_f	Measurement cct 5	100	300	600	$k\Omega$	
Built-in capacitance	C_G	Design value. A monitor pattern on a wafer is tested.	15.3	18	20.7	pF	
	C_D		15.3	18	20.7	pF	

Switching Characteristics

3V operation

$V_{DD} = 2.7$ to $3.6V$, $V_{SS} = 0V$, $T_a = -40$ to $+85^\circ C$ unless otherwise noted.

Parameter	Symbol	Condition	Rating			Unit	
			min	typ	max		
Output rise time	t_{r1}	Measurement cct 3, load cct 1, $0.1V_{DD}$ to $0.9V_{DD}$	$C_L = 15pF$	–	3	6	ns
	t_{r2}		$C_L = 30pF$	–	5	10	
Output fall time	t_{f1}	Measurement cct 3, load cct 1, $0.9V_{DD}$ to $0.1V_{DD}$	$C_L = 15pF$	–	3	6	ns
	t_{f2}		$C_L = 30pF$	–	5	10	
Output duty cycle ¹	Duty1	Measurement cct 3, load cct 1, $V_{DD} = 3.0V$, $T_a = 25^\circ C$	$C_L = 15pF$ $f = 60MHz$	45	–	55	%
	Duty2		$C_L = 30pF$ $f = 40MHz$	45	–	55	%
Output disable delay time ²	t_{PLZ}	Measurement cct 6, load cct 1, $V_{DD} = 3.0V$, $T_a = 25^\circ C$, $C_L = 15pF$		–	–	100	ns
Output enable delay time ²	t_{PZL}			–	–	100	ns

1. The duty cycle characteristic is checked the sample chips of each production lot.
2. Oscillator stop function is built-in. When INHN goes LOW, normal output stops. When INHN goes HIGH, normal output is not resumed until after the oscillator start-up time has elapsed.

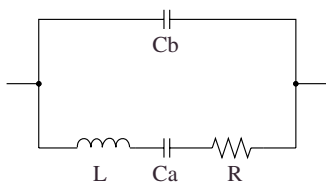
5V operation

$V_{DD} = 4.5$ to $5.5V$, $V_{SS} = 0V$, $T_a = -40$ to $+85^\circ C$ unless otherwise noted.

Parameter	Symbol	Condition	Rating			Unit	
			min	typ	max		
Output rise time	t_{r1}	Measurement cct 3, load cct 1, $0.1V_{DD}$ to $0.9V_{DD}$	$C_L = 15pF$	–	1.8	3.5	ns
	t_{r2}		$C_L = 30pF$	–	3	6	
Output fall time	t_{f1}	Measurement cct 3, load cct 1, $0.9V_{DD}$ to $0.1V_{DD}$	$C_L = 15pF$	–	1.8	3.5	ns
	t_{f2}		$C_L = 30pF$	–	3	6	
Output duty cycle ¹	Duty1	Measurement cct 3, load cct 1, $V_{DD} = 5.0V$, $T_a = 25^\circ C$	$C_L = 30pF$ $f = 60MHz$	45	–	55	%
Output disable delay time ²	t_{PLZ}	Measurement cct 6, load cct 1, $V_{DD} = 5.0V$, $T_a = 25^\circ C$, $C_L = 15pF$		–	–	100	ns
Output enable delay time ²	t_{PZL}			–	–	100	ns

1. The duty cycle characteristic is checked the sample chips of each production lot.
2. Oscillator stop function is built-in. When INHN goes LOW, normal output stops. When INHN goes HIGH, normal output is not resumed until after the oscillator start-up time has elapsed.

Current consumption and Output waveform with NPC's standard crystal



f [MHz]	R [Ω]	L [mH]	Ca [fF]	Cb [pF]
40	8.23	5.72	2.77	2.20
50	16.12	6.88	1.48	1.15
60*	–	–	–	–

* The 60MHz crystal data is confidential.

FUNCTIONAL DESCRIPTION

Standby Function

When INHN goes LOW, the oscillator stops and the oscillator output on Q becomes high impedance.

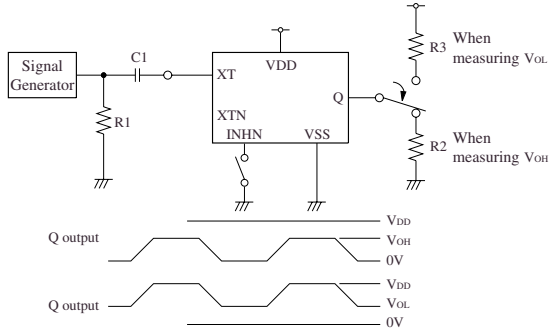
INHN	Q	Oscillator
HIGH (or open)	Any f_O , $f_O/2$, $f_O/4$, $f_O/8$ or $f_O/16$ output frequency	Normal operation
LOW	High impedance	Stopped

Power-save Pull-up Resistance

The INHN pull-up resistance changes in response to the input level (HIGH or LOW). When INHN goes LOW (standby state), the pull-up resistance becomes large to reduce the current consumption during standby.

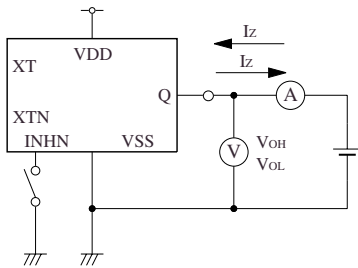
MEASUREMENT CIRCUITS

Measurement cct 1

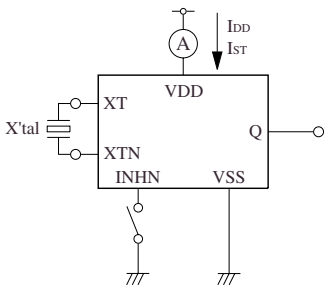


2Vp-p, 10MHz sine wave input signal
 C1: 0.001μF
 R1: 50Ω
 R2: 525Ω (3V operation)
 488Ω (5V operation)
 R3: 575Ω (3V operation)
 512Ω (5V operation)

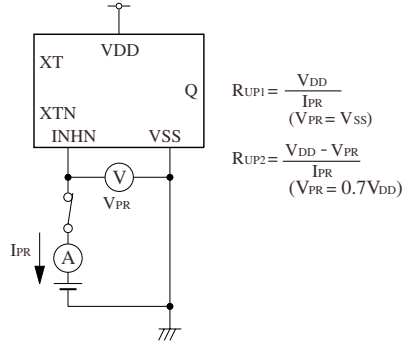
Measurement cct 2



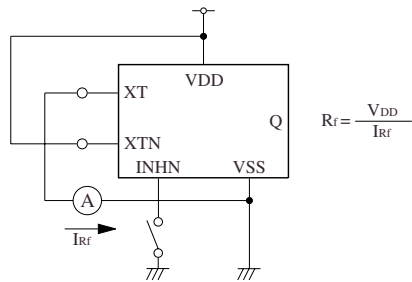
Measurement cct 3



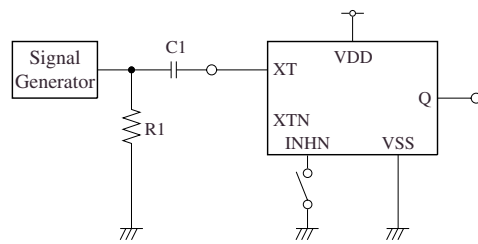
Measurement cct 4



Measurement cct 5

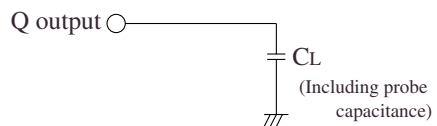


Measurement cct 6



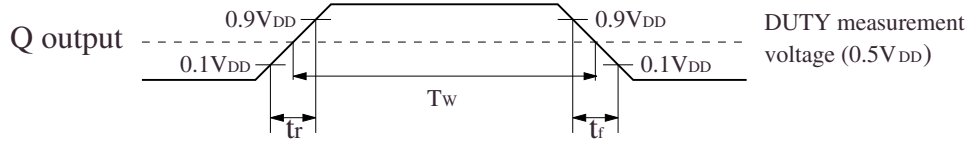
2Vp-p, 10MHz sine wave input signal
 C1: 0.001μF
 R1: 50Ω

Load cct 1

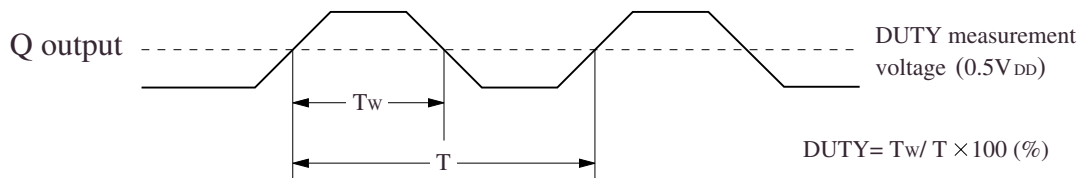


Switching Time Measurement Waveform

Output duty level

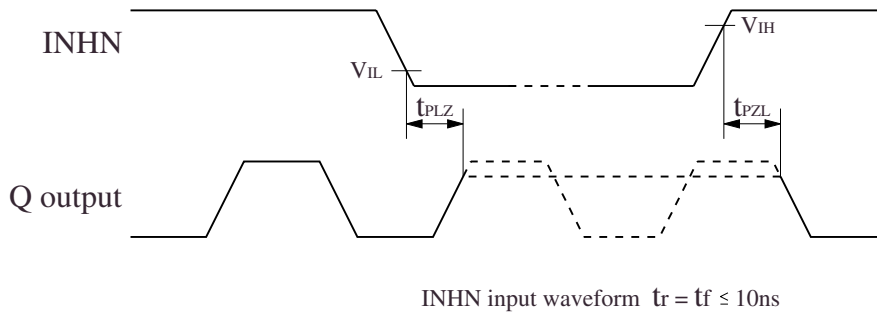


Output duty cycle



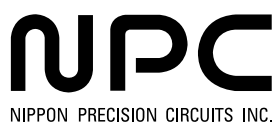
Output Enable/Disable Delay

when the device is in standby, the oscillator stops. When standby is released, the oscillator starts and stable oscillator output occurs after a short delay.



Please pay your attention to the following points at time of using the products shown in this document.

The products shown in this document (hereinafter "Products") are not intended to be used for the apparatus that exerts harmful influence on human lives due to the defects, failure or malfunction of the Products. Customers are requested to obtain prior written agreement for such use from NIPPON PRECISION CIRCUITS INC. (hereinafter "NPC"). Customers shall be solely responsible for, and indemnify and hold NPC free and harmless from, any and all claims, damages, losses, expenses or lawsuits, due to such use without such agreement. NPC reserves the right to change the specifications of the Products in order to improve the characteristic or reliability thereof. NPC makes no claim or warranty that the contents described in this document dose not infringe any intellectual property right or other similar right owned by third parties. Therefore, NPC shall not be responsible for such problems, even if the use is in accordance with the descriptions provided in this document. Any descriptions including applications, circuits, and the parameters of the Products in this document are for reference to use the Products, and shall not be guaranteed free from defect, inapplicability to the design for the mass-production products without further testing or modification. Customers are requested not to export or re-export, directly or indirectly, the Products to any country or any entity not in compliance with or in violation of the national export administration laws, treaties, orders and regulations. Customers are requested appropriately take steps to obtain required permissions or approvals from appropriate government agencies.



NIPPON PRECISION CIRCUITS INC.

4-3, Fukuzumi 2-chome, Koto-ku,
Tokyo 135-8430, Japan
Telephone: +81-3-3642-6661
Facsimile: +81-3-3642-6698
<http://www.npc.co.jp/>
Email: sales@npc.co.jp

NC0205AE 2003.02