

# KLM - 128LA - 16A

This module designed for light emitting display device. Organize with 16 x 16 matrix combination with 256 of Dual LED(Red, Green) LAMPs for use semi - outdoor or indoor in where is isolated the direct ray of light

**FEATURES**

- Active display size : 128mm x128mm
- Dot size :  $\phi$  6.5
- Dot pitch : 7.5mm
- Display color : RED, GREEN, AMBER(Mixed color)
- Duty rate : 1/16
- Dot matrix : 256(16 x16)
- Weight : 290g(Typ.)
- With a simple serial - inter face.

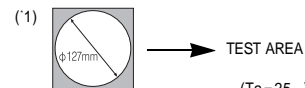
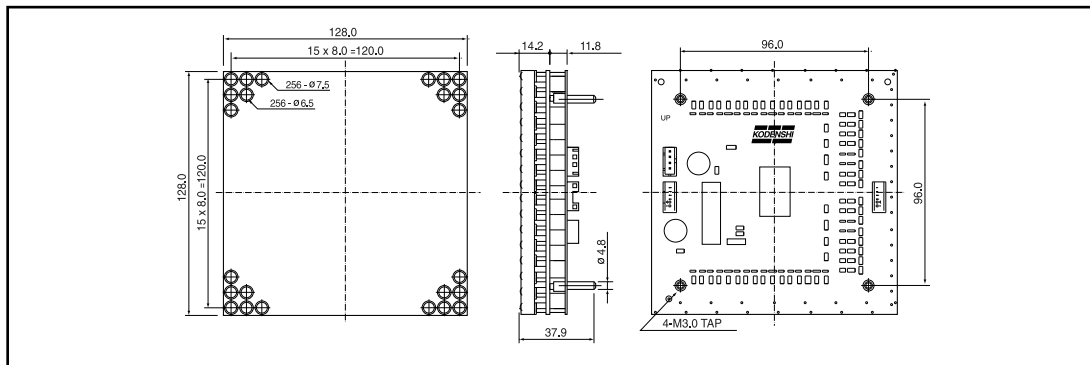
**MAXIMUM RATINGS**

(Ta=25 )

ITEM	SYMBOL	RATINGS	UNIT	COND.
Power dissipation	P <sub>D</sub>	18	W	
Supply voltage(DRIVE)	V <sub>DD</sub>	6	V	
Supply voltage(LED)	V <sub>LED</sub>	6	V	
Logic input power	V <sub>in</sub>	- 0.5 ~ V <sub>DD</sub>	V	
Junction Temp.	T <sub>J</sub>	115		
Operating Temp.	T <sub>opr</sub>	- 20 ~ +65		
Storage Temp.	T <sub>stg</sub>	- 20 ~ +70		

**DIMENSIONS**

(Unit : mm)



**OPTICAL CHARACTERISTICS**

(Ta=25 )

ITEM	SYMBOL	CONDITION	MIN.	TYP.	MAX.	UNIT.
Bright - ness(16x 16)	GREEN	V <sub>DD</sub> = 5V	-	160	-	cd/m <sup>2</sup> '1
	RED		-	250	-	
	AMVER		-	350	-	
Dot - Balance	GREEN	V <sub>LED</sub> = 5V	-	-	2	-
	RED		-	-	2	
	AMBER		-	-	2	
Emission Wavelength	GREEN	-	-	569	-	nm
	RED		-	650	-	
Spectrum half - band	GREEN	-	-	25	-	nm
	RED		-	40	-	

