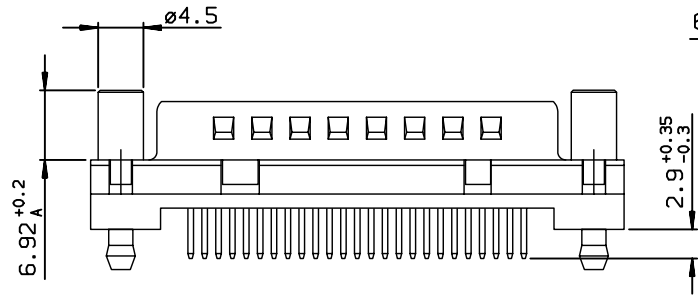
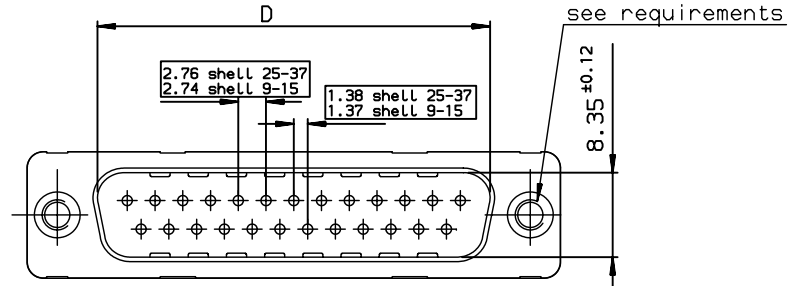
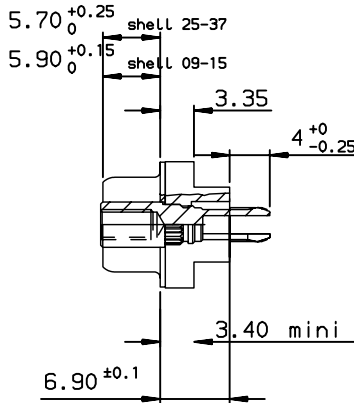
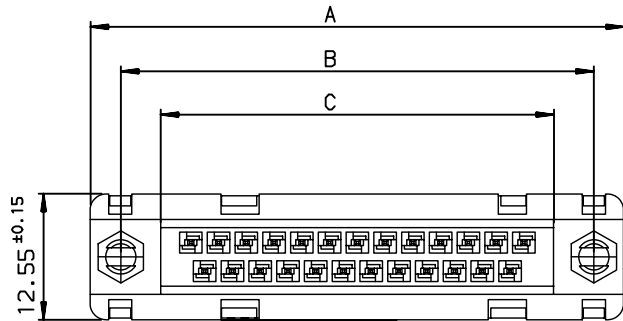


1

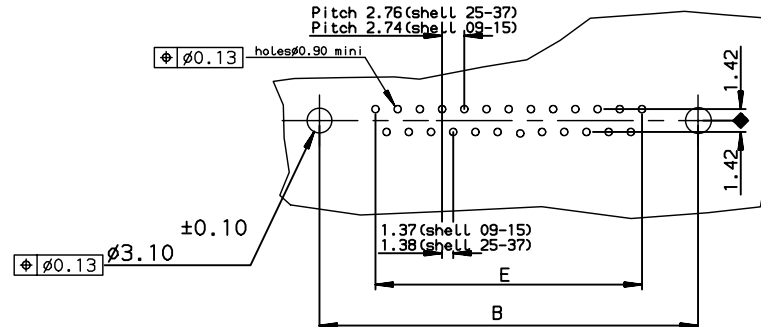
2

3

4



PC card drilling dimensions (after plating)
(thickness 1.60 ±0.20mm)



SHELL	A±0.38	B±0.12	C±0.10	D±0.25	E±0.07	PART NUMBER	
09	30.81	24.99	16.96	16.79	10.96	D09P34A4GV00	D09P34A6GV00
15	39.14	33.32	25.18	25.12	19.18	D15P34A4GV00	D15P34A6GV00
25	53.03	47.04	39.12	38.84	33.12	D25P34A4GV00	D25P34A6GV00
37	69.32	63.50	55.68	55.30	49.68	D37P34A4GV00	D37P34A6GV00
						Gold flash	0,76 µ gold

REQUIREMENTS

Technical characteristics:
 Shell: steel tin plated
 Insulators: self-extinguishing polyester, UL class 94V0
 Contacts size 20; phosphor bronze, gold on mating end, bright tin on termination end over nickel on entire contact
 Cycles: >500 for protection 6
 >200 for protection 4

Accessories:
 Threaded inserts: 4.40, tin plated
 retention against torque 0.50N.m minimum
Electrical characteristics:
 max. current rating: 5A
 Test voltage: 1000V
 Rated voltage: 300V
 Contact resistance: <10mΩ
 Shell resistance: <5mΩ
 Insulation resistance: >5000MΩ

Climatic characteristics:
 Operating temperature range: -55°C +125°C
Dimensions:
 in accordance with MIL-C-24308C and DIN41652

rev	ecn no	dr	date
A	-	MPE	2000/12/14
B	LS07-0094	MPE	2007/04/06
-	-	-	-
-	-	-	-
-	-	-	-
-	-	-	-

www.fciconnect.com			surface ISO 1302 ✓	tolerance std ISO 406 ISO 1101	projection mm
TOLERANCES UNLESS OTHERWISE SPECIFIED					
Dr	PESSON	2000/12/14	ANGULAR	0.X ±0.1	size A3
Eng	PESSON	2000/12/14	LINEAR	0.XX ±0.1	Scale 2
Chr	LEGARE	2000/12/14	0.XX' ±2'	0.XXX ±0.1	ECN LS07-0094
Appr	LEGARE	2000/12/14	Product family	SUB	Spec ref -
			MALE FOR FOOTPRINT 6.90 STRAIGHT SOLDER TYPE FOR PCB 2.4		Rev. B C01-8646-0746
catalog no			CUSTOMER		sheet 1 of 1

European Views

Copyright FCI. FCJ

1

2

3

4