



1/6-INCH SOC VGA CMOS DIGITAL IMAGE SENSOR

PART NUMBER: MT9V112I2ASTC

Features

- DigitalClarity™ CMOS Imaging Technology
- System-On-a-Chip (SOC)—Completely integrated camera system
- Ultra-low power, low cost, progressive scan CMOS image sensor
- Superior low-light performance
- On-chip image flow processor (IFP) performs sophisticated processing:
Color recovery and correction, sharpening, gamma, lens shading correction, and on-the-fly defect correction
- Filtered image downscaling to arbitrary size with smooth, continuous zoom and pan
- Automatic Features:
Auto exposure, auto white balance (AWB), auto black reference (ABR), auto flicker avoidance, auto color saturation, and auto defect identification and correction
- Fully automatic Xenon and LED-type flash support, fast exposure adaptation
- Multiple parameter contexts, easy/fast mode switching
- Camera control sequencer automates:
Snapshots, snapshots with flash, and video clips
- Simple two-wire serial programming interface
- ITU-R BT.656 (YCbCr), 565RGB, 555RGB, or 444RGB formats (progressive scan)
- Raw and processed Bayer formats

Applications

- Cellular phones
- PDAs
- Toys
- Other battery-powered products

Table 1: Key Performance Parameters

| PARAMETER | | TYPICAL VALUE |
|------------------------------------|--------------|--|
| Optical Format | | 1/6-inch (4:3) |
| Active Imager Size | | 2.30mm(H) x 1.73mm(V) 2.88mm Diagonal |
| Active Pixels | | 640H x 480V |
| Pixel Size | | 3.6µm x 3.6µm |
| Color Filter Array | | RGB Bayer Pattern |
| Shutter Type | | Electronic Rolling Shutter (ERS) |
| Maximum Data Rate/ Master Clock | | 12 MPS–13.5 MPS/ 24 MHz–27 MHz |
| Frame Rate (VGA 640H x 480V) | | 30 fps at 27 MHz |
| ADC Resolution | | 10-bit, on-chip |
| Responsivity | | 1.0 V/lux-sec (550nm) |
| Dynamic Range | | 71dB |
| SNR _{MAX} | | 44dB |
| Supply Voltage | I/O Digital | 1.7V–3.6V |
| | Core Digital | 1.7V–1.9V or 2.5V–3.1V (1.8V or 2.8V nominal) |
| | Analog | 2.5V–3.1V (2.8V nominal) |
| Power Consumption | | 76mW at 1.8V, 15fps |
| Operating Temperature | | -30°C to +70°C |
| Packaging | | 36-Ball ICSP, wafer or die |



Table of Contents

| | |
|---|----|
| Features | 1 |
| Applications | 1 |
| General Description | 6 |
| Functional Overview | 6 |
| Internal Architecture | 6 |
| Register Notation | 7 |
| Typical Connections | 8 |
| Architecture Overview | 11 |
| Sensor Core | 11 |
| Lens Shading Correction and Black Level Conditioning | 11 |
| Defect Correction | 11 |
| Interpolation, Aperture, and Color Correction | 11 |
| Resize | 11 |
| Camera Control | 11 |
| Camera Interface and Test Patterns | 11 |
| Contexts, Snapshots, and Flash | 12 |
| Output Data Ordering | 13 |
| Image Flow Processor Registers | 14 |
| Image Flow Processor Register Description | 21 |
| Configuration | 21 |
| Sensor Core Overview | 32 |
| Pixel Data Format | 32 |
| Pixel Array Structure | 32 |
| Output Data Format | 33 |
| Sensor Core Registers | 34 |
| Modes and Timing | 44 |
| Contexts | 44 |
| Viewfinder/Preview and Full-Resolution/Snapshot Modes | 44 |
| Preview Mode | 44 |
| Snapshot Mode | 44 |
| Switching Modes | 44 |
| Clocks | 44 |
| Turning Frame Rates | 45 |
| Default Blanking Calculations | 45 |
| User Blanking Calculations | 45 |
| Output Timing | 46 |
| Typical Resolutions, Modes, and Timing | 46 |
| Reset, Clocks, and Standby | 47 |
| Electrical Specifications | 48 |
| Power Consumption | 49 |
| I/O Timing | 50 |
| Appendix A | 52 |
| Serial Bus Description | 52 |
| Protocol | 52 |
| Sequence | 52 |
| Bus Idle State | 52 |
| Start Bit | 52 |
| Stop Bit | 52 |
| Slave Address | 52 |
| Data Bit Transfer | 52 |
| Acknowledge Bit | 53 |



No-Acknowledge Bit53
Two-Wire Serial Interface Sample.....54
 16-Bit Write Sequence.....54
 16-Bit Read Sequence.....54
 8-Bit Write Sequence.....55
 8-Bit READ Sequence.....55
Two-wire Serial Bus Timing.....56
Data Sheet Designation.....57
Revision History.....58



List of Figures

| | | |
|------------|---|----|
| Figure 1: | Functional Block Diagram | 7 |
| Figure 2: | Internal Registers Grouping | 7 |
| Figure 3: | Typical Configuration (connection) | 8 |
| Figure 4: | 36-Ball ICSP Assignment | 9 |
| Figure 5: | Sensor Core Block Diagram | 32 |
| Figure 6: | Pixel Array Description | 32 |
| Figure 7: | Pixel Color Pattern Detail | 32 |
| Figure 8: | Spatial Illustration of Image Readout | 33 |
| Figure 9: | Primary Sensor Core Clock Relationships | 44 |
| Figure 10: | Vertical Timing | 46 |
| Figure 11: | Horizontal Timing | 46 |
| Figure 12: | I/O Timing | 50 |
| Figure 13: | Typical Spectral Characteristics (preliminary) | 51 |
| Figure 14: | Image Center Offset | 51 |
| Figure 15: | WRITE Timing to R0x09:0—Value 0x0284 | 54 |
| Figure 16: | READ Timing from R0x09:0; Returned Value 0x0284 | 54 |
| Figure 17: | WRITE Timing to R0x09:0—Value 0x0284 | 55 |
| Figure 18: | READ Timing from R0x09:0; Returned Value 0x0284 | 55 |
| Figure 19: | Serial Host Interface Start Condition Timing | 56 |
| Figure 20: | Serial Host Interface Stop Condition Timing | 56 |
| Figure 21: | Serial Host Interface Data Timing for Write | 56 |
| Figure 22: | Serial Host Interface Data Timing for Read | 56 |
| Figure 23: | Acknowledge Signal Timing After an 8-bit Write to the Sensor | 56 |
| Figure 24: | Acknowledge Signal Timing After an 8-bit Read from the Sensor | 56 |
| Figure 25: | 36-Ball ICSP Package | 57 |



List of Tables

| | | |
|-----------|---|----|
| Table 1: | Key Performance Parameters | 1 |
| Table 2: | Ball Description | 9 |
| Table 3: | Data Ordering in YCbCr Mode | 13 |
| Table 4: | Output Data Ordering in Processed Bayer Mode | 13 |
| Table 5: | Output Data Ordering in RGB Mode | 13 |
| Table 6: | Output Data Ordering in (8 + 2) Bypass Mode | 13 |
| Table 7: | Colorpipe Registers – Address Page 1 | 14 |
| Table 8: | Camera Control Registers – Address Page 2 | 17 |
| Table 9: | Colorpipe Register Description | 21 |
| Table 10: | Camera Control Register Description | 28 |
| Table 11: | Sensor Registers – Address Page 0 | 34 |
| Table 12: | Sensor Core Register Descriptions | 37 |
| Table 13: | Register Address Functions | 45 |
| Table 14: | Blanking Parameter Calculations | 45 |
| Table 15: | User Blanking Minimum Values | 45 |
| Table 16: | Blanking Definitions | 46 |
| Table 17: | STANDBY Effect on the Output State | 47 |
| Table 18: | Electrical Characteristics and Operating Conditions | 48 |
| Table 19: | I/O Parameters | 49 |
| Table 20: | Power Consumption | 49 |
| Table 21: | I/O Timing | 50 |
| Table 22: | Two-Wire Interface ID Address Switching | 52 |



General Description

The Micron[®] Imaging MT9V112 is a VGA-format, single-chip camera CMOS active-pixel digital image sensor. This device combines the MT9V012 image sensor core with fourth-generation digital image flow processor technology from Micron Imaging. It captures high-quality color images at VGA resolution.

The VGA CMOS image sensor features DigitalClarity—Micron's breakthrough low-noise CMOS imaging technology that achieves CCD image quality (based on signal-to-noise ratio and low-light sensitivity) while maintaining the inherent size, cost, and integration advantages of CMOS.

The sensor is a complete camera-on-a-chip solution designed specifically to meet the low-power, low-cost demands of battery-powered products such as cellular phones, PDAs, and toys. It incorporates sophisticated camera functions on-chip and is programmable through a simple two-wire serial interface.

The MT9V112 performs sophisticated processing functions including color recovery, color correction, sharpening, programmable gamma correction, auto black reference clamping, auto exposure, automatic 50Hz/60Hz flicker avoidance, lens shading correction, auto white balance (AWB), and on-the-fly defect identification and correction. Additional features include day/night mode configurations; special camera effects such as sepia tone and solarization; and interpolation to arbitrary image size with continuous filtered zoom and pan. The device supports both Xenon and LED-type flash light sources in several snapshot modes.

The MT9V112 can be programmed to output progressive-scan images up to 30 frames per second (fps). The image data can be output in any one of six 8-bit formats:

- ITU-R BT.656 (formerly CCIR656, progressive scan only) YCbCr
- 565RGB
- 555RGB
- 444RGB
- Raw Bayer
- Processed Bayer

The FRAME_VALID and LINE_VALID signals are output on dedicated balls, along with a pixel clock that is synchronous with valid data.

Functional Overview

The MT9V112 is a fully-automatic, single-chip camera, requiring only a power supply, lens, and clock source for basic operation. Output video is streamed via a parallel 8-bit DOUT port, shown in Figure 1 on page 7. The output pixel clock is used to latch data, while FRAME_VALID and LINE_VALID signals indicate the active video. The MT9V112 internal registers are configured using a two-wire serial interface.

The device can be put in a low-power sleep mode by asserting STANDBY and shutting down the clock. Output signals can be tri-stated. Both tri-stating output signals and entry in standby mode also can be achieved via two-wire serial interface register writes.

The MT9V112 accepts input clocks up to 27 MHz, delivering up to 30 fps for VGA resolution images.

Internal Architecture

Internally, the MT9V112 consists of a sensor core and an image flow processor (IFP). The IFP is divided in two sections: the colorpipe (CP), and the camera controller (CC). The sensor core captures raw Bayer-encoded images that are then input in the IFP. The CP section of the IFP processes the incoming stream to create interpolated, color-corrected output, and the CC section controls the sensor core to maintain the desired exposure and color balance, and to support snapshot modes. The sensor core, CP, and CC registers are grouped in three separate address spaces, shown in Figure 2. When accessing internal registers via the two-wire serial interface, select the desired address space by programming the R240 register.

The MT9V112 accelerates mode-switching with hardware-assisted context switching, and supports taking snapshots, flash snapshots, and video clips using a configurable sequencer.

The MT9V112 supports a range of color formats derived from four primary color representations: YCbCr, RGB, raw Bayer (unprocessed, directly from the sensor), and processed Bayer (Bayer format data regenerated from processed RGB). The device also supports a variety of output signaling/timing options:

- Standard FRAME_VALID/LINE_VALID video interface with gated pixel clocks
- ITU-R BT.656 marker-embedded video interface with either gated or uniform pixel clocking



Register Notation

The following register address notations are used in this document:

- R<decimal address>:<address page>
Example: R9:0—Shutter width register in sensor page (page 0). Used to uniquely specify a register.
- R<decimal address>

Example: R240—Page address register. Used when the register address is global in all three pages or when by context the address page is understood.

- 0x<2 digit hex address>
Example: 0xF0—Page address register. Used when the register address is global in all three pages, or when by context the address page is understood.

Figure 1: Functional Block Diagram

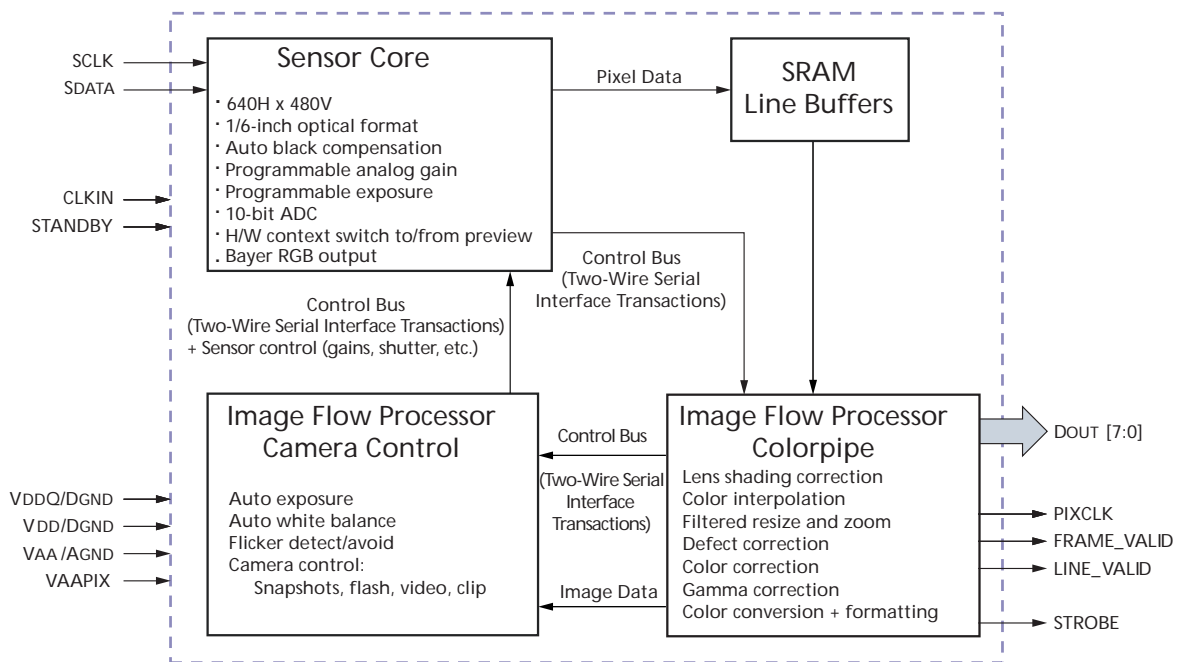
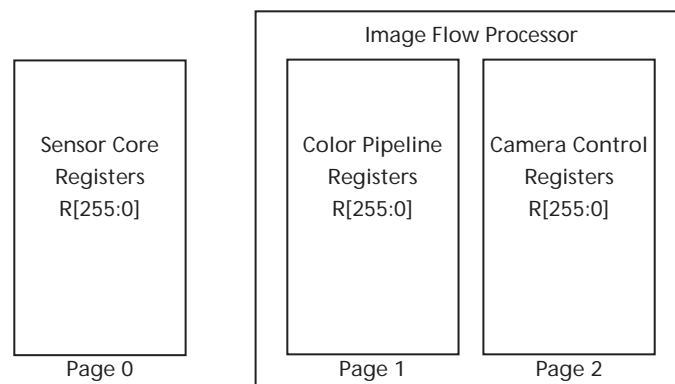


Figure 2: Internal Registers Grouping



NOTE:

Internal registers are grouped in three address spaces. Program R240 selects the desired address space.



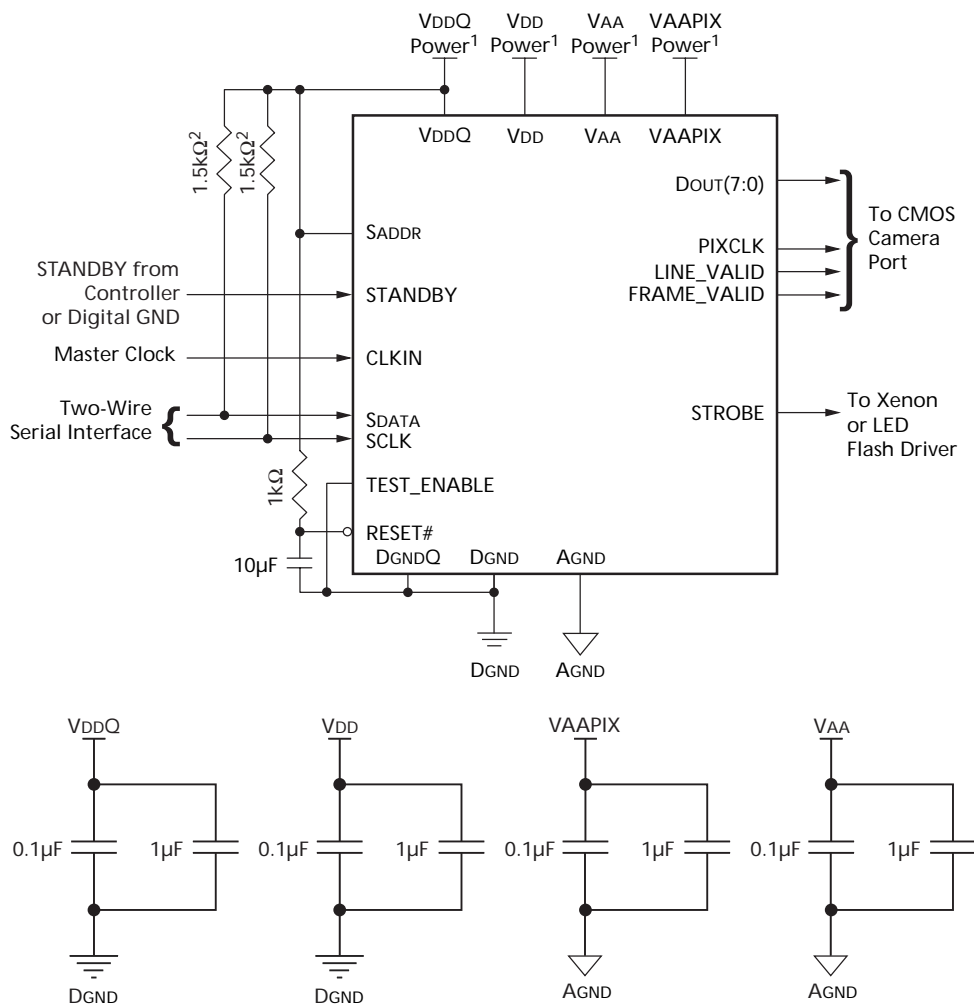
Typical Connections

Figure 3 shows typical MT9V112 device connections. For low-noise operation, the MT9V112 requires separate power supplies for analog and digital. Incoming digital and analog ground conductors can be tied

together next to the die. Both power supply rails should be decoupled to ground using capacitors. The use of inductance filters is not recommended.

The MT9V112 also supports different digital core (VDD/DGND) and I/O power (VDDQ/DGND) power domains that can be at different voltages.

Figure 3: Typical Configuration (connection)



NOTE:

1. A 1.5KΩ resistor value is recommended, but may be greater for slower two-wire speed.
2. MT9V112 STANDBY can be connected to customer's ASIC controller directly or to Digital GND, depending on the controller's capability.

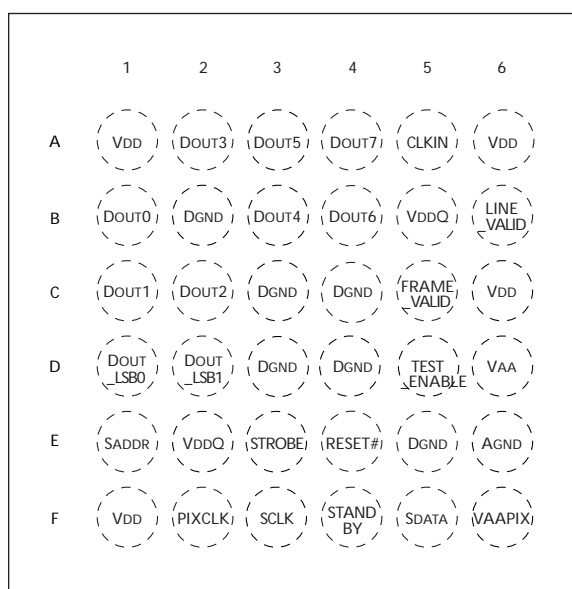

Figure 4: 36-Ball ICSP Assignment

 Top View
 (Ball Down)

Table 2: Ball Description

| BALL ASSIGNMENT | NAME | TYPE | DESCRIPTION |
|--------------------------------|-------------|--------|---|
| A5 | CLKIN | Input | Master clock in sensor. |
| E4 | RESET# | Input | Active LOW: asynchronous reset. |
| E1 | SADDR | Input | Two-Wire Serial Interface Device ID selection 1:0xBA, 0:0x90. |
| D5 | TEST_ENABLE | Input | Tie to DGND for normal operation. (Manufacturing use only.) |
| F3 | SCLK | Input | Two-Wire Serial Interface Clock. |
| F4 | STANDBY | Input | Multifunctional signal to control device addressing, power-down, and state functions (covering output enable function). |
| F5 | SDATA | Output | Two-Wire Serial Interface Data I/O. |
| B1, C1, C2, A2, B3, A3, B4, A4 | DOUT(7:0) | Output | Pixel Data Output bit 0, DOUT(7) (most significant bit (MSB)), DOUT(0) (least significant bit (LSB)). |
| D1 | DOUT_LSB0 | Output | Sensor bypass mode output 0—typically left unconnected for normal SOC operation. |
| D2 | DOUT_LSB1 | Output | Sensor bypass mode output 1—typically left unconnected for normal SOC operation. |
| C5 | FRAME_VALID | Output | Active HIGH: FRAME_VALID; indicates active frame. |
| B6 | LINE_VALID | Output | Active HIGH: LINE_VALID, DATA_VALID; indicates active pixel. |
| F2 | PIXCLK | Output | Pixel clock output. |
| E3 | STROBE | Output | Active HIGH: strobe (Xenon) or turn on (LED) flash. |
| E6 | AGND | Supply | Analog ground. |
| B2, C3, C4, D3, D4, E5 | DGND | Supply | Core digital ground. |


Table 2: Ball Description (continued)

| BALL ASSIGNMENT | NAME | TYPE | DESCRIPTION |
|-----------------|--------|--------|--|
| D6 | VAA | Supply | Analog power: 2.5V–3.1V (2.8V nominal). |
| F6 | VAAPIX | Supply | Pixel array analog power supply: 2.5V–3.1V (2.8V nominal). |
| A1, A6, C6, F1 | VDD | Supply | Core digital power: 1.7V–1.9V or 2.5V–3.1V (1.8V or 2.8V nominal). |
| B5, E2 | VDDQ | Supply | I/O digital power: 1.7V–3.6V. |

NOTE:

All inputs and outputs are implemented with bidirectional buffers. Care must be taken that all inputs are driven and all outputs are driven if tri-stated.



Architecture Overview

The MT9V112 consists of a sensor core, the color processing pipeline, and a measurement and control logic block (the camera controller). Below is a brief overview of the architecture.

Sensor Core

The sensor core is taken from the MT9V012 stand-alone sensor and includes a number of features specifically targeting the mobile market. Of primary interest is support for preview/viewfinding with hardware-accelerated switching to full resolution for snapshots. This switch can be achieved without adversely affecting exposure or color balance. This enables taking single frame and Xenon flash snapshots while minimizing snapshot lag. LED snapshots are discussed below; they also benefit significantly from this feature.

Lens Shading Correction and Black Level Conditioning

The stream of raw data from the sensor enters the pipeline and undergoes several transformations. Image stream processing starts with conditioning the black level and applying a digital gain.

The lens shading block compensates for spatially varying signal loss caused by the lens. The block is programmable and implements separate correction functions for R, G, and B independently.

Defect Correction

Following lens correction, the data stream is analyzed for the presence of defects. A two-dimensional digital filter calculates suitable replacement values. Edge sensitivity minimizes false detections, helping to preserve image sharpness.

Interpolation, Aperture, and Color Correction

The Bayer pixel pattern data is interpolated to recover missing color components for each pixel following defect correction. Configurable aperture correction sharpens the image and to avoid amplifying noise, can be programmed to be less aggressive in low light conditions.

The resulting interpolated RGB data passes through the current color correction matrix (CCM), gamma, and color saturation corrections.

The CCM can be manually loaded or dynamically configured by the auto white balance (AWB) unit. The gamma correction unit is fully user-programmable,

and color saturation adjustments can be made both by the user and the auto exposure unit (for dynamic saturation reduction in high or low lighting situations).

Resize

The IFP can resize to virtually any output resolution through digitally filtered sub-sampling. Output resolutions include, but are not limited to, VGA, QVGA, CIF, and QCIF. When the output resolution is smaller than the sensor-generated image, smooth, continuous zoom and pan become available. The user simply defines the zoom window, pan offset, and output resolution, and the resizer calculates all other parameters for the resize function.

Camera Control

The camera controller continuously accumulates image brightness and color statistics. Two units use these measurements to adjust the sensor and color-pipe settings. The auto exposure unit adjusts gain and shutter-width to maintain a user-defined luma target. The image measurement region can be modified to permit, for example, back light compensation. The user can also control the speed and sensitivity of the algorithm from highly responsive (for LED flash and viewfinding) to somewhat dampened (for video). Finally, the unit can detect 50Hz or 60Hz rolling flicker bars (due to ambient illumination) and adjusts exposure appropriately to eliminate this adverse effect on image quality.

The AWB module adjusts gains and the CCM to compensate for the effects of changing scene illumination on the quality of the color rendition. The user has control over the region of the scene to be analyzed as well as the responsiveness of the algorithm to illuminant changes.

Camera Interface and Test Patterns

The MT9V112 outputs process video as a standard ITU-R BT.656 stream, an RGB stream, or as processed or unprocessed Bayer data. The ITU-R BT.656 stream contains YCbCr 4:2:2 data with optional embedded synchronization codes. This output is typically suitable for subsequent display by standard (progressive scan) video equipment, or JPEG/MPEG compression. RGB functionality provides support for LCD devices.

The MT9V112 can be configured to output 16-bit RGB (RGB565), 15-bit RGB (RGB555), and two types of 12-bit RGB (RGB444). The user can configure internal registers to swap odd and even bytes, chrominance channels, and luminance and chrominance components to ease interfacing to application processors.



To assist in integration and system debug, a variety of test patterns are provided, from simple ramps to colorbars.

Contexts, Snapshots, and Flash

For a number of parameters, registers are provided for storing two “contexts”: context A and context B. These contexts enable the user to setup the camera for a number of different modes, then switch between modes with a single register WRITE to the global context control register (GCCR). A typical example is to use context A for viewfinder/preview settings and context B for snapshots. Functions supporting context switching include:

- The resizer (output resolutions for preview and snapshot)
- Camera interface (e.g., RGB565 for LCD preview and YCbCr for snapshots)

To facilitate taking snapshots and flash snapshots, the IFP includes a camera control sequencer that automates the process of stepping through a number of preset configurable programs. In addition to basic snapshots, there are programs for both Xenon and LED assisted snapshots. A flash-triggering controller provides an appropriate timing strobe for synchronizing the onset of flash illumination with the rolling shutter.



Output Data Ordering

Table 3: Data Ordering in YCbCr Mode

| MODE | BYTE | | | |
|-------------------|------|-----|------|------|
| Default | Cbi | Yi | Cri | Yi+1 |
| Swap CrCb | Cri | Yi | Cbi | Yi+1 |
| SwapYC | Yi | Cbi | Yi+1 | Cri |
| Swap CrCb, SwapYC | Yi | Cri | Yi+1 | Cbi |

Table 4: Output Data Ordering in Processed Bayer Mode

| MODE | LINE | BYTE | | | |
|-----------------------------------|--------|------|------|------|------|
| Default | First | Gi | Ri+1 | Gi+2 | Ri+3 |
| | Second | Bi | Gi+1 | Bi+2 | Gi+3 |
| Flip Bayer Col | First | Ri | Gi+1 | Ri+2 | Gi+3 |
| | Second | Gi | Bi+1 | Gi+2 | Bi+3 |
| Flip Bayer Row | First | Bi | Gi+1 | Bi+2 | Gi+3 |
| | Second | Gi | Ri+1 | Gi+2 | Ri+3 |
| Flip Bayer Col, Flip Bayer Row | First | Gi | Bi+1 | Gi+2 | Bi+3 |
| | Second | Ri | Gi+1 | Ri+2 | Gi+3 |

Table 5: Output Data Ordering in RGB Mode

| MODE (SWAP DISABLED) | BYTE | D7 | D6 | D5 | D4 | D3 | D2 | D1 | D0 |
|-------------------------|--------|----|----|----|----|----|----|----|----|
| RGB565 | First | R7 | R6 | R5 | R4 | R3 | G7 | G6 | G5 |
| | Second | G4 | G3 | G2 | B7 | B6 | B5 | B4 | B3 |
| RGB555 | First | 0 | R7 | R6 | R5 | R4 | R3 | G7 | G6 |
| | Second | G5 | G4 | G3 | B7 | B6 | B5 | B4 | B3 |
| RGB444x | First | R7 | R6 | R5 | R4 | G7 | G6 | G5 | G4 |
| | Second | B7 | B6 | B5 | B4 | 0 | 0 | 0 | 0 |
| RGBx444 | First | 0 | 0 | 0 | 0 | R7 | R6 | R5 | R4 |
| | Second | G7 | G6 | G5 | G4 | B7 | B6 | B5 | B4 |

Table 6: Output Data Ordering in (8 + 2) Bypass Mode

| MODE | BYTE | D7 | D6 | D5 | D4 | D3 | D2 | D1 | D0 |
|--------------|--------|----|----|----|----|----|----|----|----|
| 8 + 2 bypass | First | B9 | B8 | B7 | B6 | B5 | B4 | B3 | B2 |
| | Second | 0 | 0 | 0 | 0 | 0 | 0 | B1 | B0 |



Image Flow Processor Registers

Table 7: Colorpipe Registers – Address Page 1

| REGISTER #DEC (HEX) | REGISTER NAME | DATA FORMAT | DEFAULT VALUE DEC (HEX) | MODULE |
|---------------------|--------------------------------|---------------------|-------------------------|----------|
| 5 (05) | Aperture Correction | 0000 0000 0000 dddd | 3 (0003) | Interp |
| 6 (06) | Operating Mode Control | dddd dddd 0ddd dddd | 28686 (700E) | Cfg |
| 8 (08) | Output Format Control | 0000 0ddd dddd dddd | 128 (0080) | Cfg |
| 37 (25) | Color Saturation Control | 0000 0000 00dd dddd | 5 (0005) | rgb2yuv |
| 52 (34) | Luma Offset | dddd dddd dddd dddd | 16 (0010) | CamInt |
| 53 (35) | Luma Clip | dddd dddd dddd dddd | 61456 (F010) | CamInt |
| 58 (3A) | Output Format Control 2A | 0ddd dddd dddd dddd | 512 (0200) | CamInt |
| 59 (3B) | Lens Correction Parameter 1 | — | 1066 (042A) | LensCorr |
| 60 (3C) | Lens Correction Parameter 2 | — | 1024 (0400) | LensCorr |
| 71 (47) | Reserved | — | 24 (0018) | — |
| 72 (48) | Test Pattern Generator Control | 0000 0000 d000 0ddd | 0 (0000) | FifoInt |
| 83 (53) | Gamma Correction Parameter 1 | — | 7700 (1E14) | GmaCorr |
| 84 (54) | Gamma Correction Parameter 2 | — | 17966 (462E) | GmaCorr |
| 85 (55) | Gamma Correction Parameter 3 | — | 34666 (876A) | GmaCorr |
| 86 (56) | Gamma Correction Parameter 4 | — | 47008 (B7A0) | GmaCorr |
| 87 (57) | Gamma Correction Parameter 5 | — | 57548 (E0CC) | GmaCorr |
| 88 (58) | Gamma Correction Parameter 6 | — | 0 (0000) | GmaCorr |
| 104 (68) | Reserved | — | 17 (0011) | — |
| 128 (80) | Lens Correction Parameter 3 | — | 3 (0003) | LensCorr |
| 129 (81) | Lens Correction Parameter 4 | — | 0 (0000) | LensCorr |
| 130 (82) | Lens Correction Parameter 5 | — | 0 (0000) | LensCorr |
| 131 (83) | Lens Correction Parameter 6 | — | 0 (0000) | LensCorr |
| 132 (84) | Lens Correction Parameter 7 | — | 0 (0000) | LensCorr |
| 133 (85) | Lens Correction Parameter 8 | — | 0 (0000) | LensCorr |
| 134 (86) | Lens Correction Parameter 9 | — | 0 (0000) | LensCorr |
| 135 (87) | Lens Correction Parameter 10 | — | 0 (0000) | LensCorr |
| 136 (88) | Lens Correction Parameter 11 | — | 0 (0000) | LensCorr |
| 137 (89) | Lens Correction Parameter 12 | — | 0 (0000) | LensCorr |
| 138 (8A) | Lens Correction Parameter 13 | — | 0 (0000) | LensCorr |
| 139 (8B) | Lens Correction Parameter 14 | — | 0 (0000) | LensCorr |
| 140 (8C) | Lens Correction Parameter 15 | — | 0 (0000) | LensCorr |
| 141 (8D) | Lens Correction Parameter 16 | — | 0 (0000) | LensCorr |


Table 7: Colorpipe Registers – Address Page 1 (continued)

| REGISTER #DEC (HEX) | REGISTER NAME | DATA FORMAT | DEFAULT VALUE DEC (HEX) | MODULE |
|---------------------|--|---------------------|-------------------------|----------|
| 142 (8E) | Lens Correction Parameter 17 | — | 0 (0000) | LensCorr |
| 143 (8F) | Lens Correction Parameter 18 | — | 0 (0000) | LensCorr |
| 144 (90) | Lens Correction Parameter 19 | — | 0 (0000) | LensCorr |
| 145 (91) | Lens Correction Parameter 20 | — | 0 (0000) | LensCorr |
| 146 (92) | Lens Correction Parameter 21 | — | 0 (0000) | LensCorr |
| 147 (93) | Lens Correction Parameter 22 | — | 0 (0000) | LensCorr |
| 148 (94) | Lens Correction Parameter 23 | — | 0 (0000) | LensCorr |
| 149 (95) | Lens Correction Parameter 24 | — | 0 (0000) | LensCorr |
| 153 (99) | Line Counter | ???? ???? ???? ???? | N/A | CamInt |
| 154 (9A) | Frame Counter | ???? ???? ???? ???? | N/A | CamInt |
| 155 (9B) | Output Format Control 2—Context B | 0ddd dddd dddd dddd | 512 (0200) | CamInt |
| 157 (9D) | Reserved | — | 9390 (24AE) | — |
| 159 (9F) | Reserved—obsolete | — | 0 (0000) | – |
| 160 (A0) | Reserved—obsolete | — | 640 (0280) | – |
| 161 (A1) | Reducer Horizontal Size Resize—Context B | 0000 0ddd dddd dddd | 480 (01E0) | Interp |
| 162 (A2) | Reserved—obsolete | — | 0 (0000) | – |
| 163 (A3) | Reserved—obsolete | — | 480 (01E0) | – |
| 164 (A4) | Reducer Vertical Size Resize—Context B | 0000 0ddd dddd dddd | 480 (01E0) | Interp |
| 165 (A5) | Reducer Horizontal Pan Resize | 0d00 0ddd dddd dddd | 0 (0000) | Interp |
| 166 (A6) | Reducer Horizontal Zoom Resize | 0000 0ddd dddd dddd | 640 (0280) | Interp |
| 167 (A7) | Reducer Horizontal Size Resize—Context A | 0000 0ddd dddd dddd | 320 (0140) | Interp |
| 168 (A8) | Reducer Vertical Pan Resize | 0d00 0ddd dddd dddd | 0 (0000) | Interp |
| 169 (A9) | Reducer Vertical Zoom Resize | 0000 0ddd dddd dddd | 480 (01E0) | Interp |
| 170 (AA) | Reducer Vertical Size Resize—Context A | 0000 0ddd dddd dddd | 240 (00F0) | Interp |
| 171 (AB) | Reducer Current Zoom Horizontal | 0000 0??? ???? ???? | 640 (0280) | Interp |
| 172 (AC) | Reducer Current Zoom Vertical | 0000 0??? ???? ???? | 480 (01E0) | Interp |
| 174 (AE) | Reducer Zoom Step Size | dddd dddd dddd dddd | 3081 (0C09) | Interp |
| 175 (AF) | Reducer Zoom Control | 0000 00dd 0ddd dddd | 0 (0000) | Interp |
| 180 (B4) | Reserved | — | 32 (0020) | — |
| 182 (B6) | Lens Correction Parameter 25 | — | 0 (0000) | LensCorr |
| 183 (B7) | Lens Correction Parameter 26 | — | 0 (0000) | LensCorr |
| 184 (B8) | Lens Correction Parameter 27 | — | 0 (0000) | LensCorr |
| 185 (B9) | Lens Correction Parameter 28 | — | 0 (0000) | LensCorr |
| 186 (BA) | Lens Correction Parameter 29 | — | 0 (0000) | LensCorr |
| 187 (BB) | Lens Correction Parameter 30 | — | 0 (0000) | LensCorr |
| 188 (BC) | Lens Correction Parameter 31 | — | 0 (0000) | LensCorr |
| 189 (BD) | Lens Correction Parameter 32 | — | 0 (0000) | LensCorr |
| 190 (BE) | Lens Correction Parameter 33 | — | 0 (0000) | LensCorr |


Table 7: Colorpipe Registers – Address Page 1 (continued)

| REGISTER #DEC (HEX) | REGISTER NAME | DATA FORMAT | DEFAULT VALUE DEC (HEX) | MODULE |
|---------------------|-------------------------------|---------------------|-------------------------|------------------|
| 191 (BF) | Lens Correction Parameter 34 | — | 0 (0000) | LensCorr |
| 192 (C0) | Lens Correction Parameter 35 | — | 0 (0000) | LensCorr |
| 193 (C1) | Lens Correction Parameter 36 | — | 0 (0000) | LensCorr |
| 194 (C2) | Lens Correction Parameter 37 | — | 0 (0000) | LensCorr |
| 195 (C3) | Lens Correction Parameter 38 | — | 0 (0000) | LensCorr |
| 196 (C4) | Lens Correction Parameter 39 | — | 0 (0000) | LensCorr |
| 200 (C8) | Global Context Control | dddd dddd dddd dddd | 0 (0000) | CntxCtl |
| 201 (C9) | Reserved | dddd dddd dddd dddd | 0 (0000) | MBist/ samobs |
| 202 (CA) | Reserved | — | N/A | MBist/ samobs |
| 203 (CB) | Reserved | — | N/A | MBist/ samobs |
| 204 (CC) | Reserved | — | N/A | MBist/ samobs |
| 205 (CD) | Reserved | — | N/A | MBist/ samobs |
| 206 (CE) | Reserved | — | N/A | MBist/ samobs |
| 207 (C) | Reserved | — | N/A | MBist/ samobs |
| 208 (D0) | Reserved | — | N/A | MBist/ samobs |
| 220 (DC) | Gamma Correction Parameter 7 | — | 7700 (1E14) | GmaCorr |
| 221 (DD) | Gamma Correction Parameter 8 | — | 17966 (462E) | GmaCorr |
| 222 (DE) | Gamma Correction Parameter 9 | — | 34666 (876A) | GmaCorr |
| 223 (DF) | Gamma Correction Parameter 10 | — | 47008 (B7A0) | GmaCorr |
| 224 (E0) | Gamma Correction Parameter 11 | — | 57548 (E0CC) | GmaCorr |
| 225 (E1) | Gamma Correction Parameter 12 | — | 0 (0000) | GmaCorr |
| 226 (E2) | Effects Mode | dddd dddd 0000 0ddd | 28672 (7000) | GmaCorr |
| 227 (E3) | Effects Sepia | dddd dddd dddd dddd | 45091 (B023) | GmaCorr |


Table 8: Camera Control Registers – Address Page 2

| REGISTER # DEC (HEX) | REGISTER NAME | DATA FORMAT | DEFAULT VALUE DEC (HEX) | MODULE |
|----------------------|---|---------------------|-------------------------|-----------|
| 2 (02) | Color Correction Parameter 1 | — | 174 (00AE) | ColorCorr |
| 3 (03) | Color Correction Parameter 2 | — | 10531 (2923) | ColorCorr |
| 4 (04) | Color Correction Parameter 3 | — | 1188 (04A4) | ColorCorr |
| 9 (09) | Color Correction Parameter 4 | — | 182 (00B6) | ColorCorr |
| 10 (0A) | Color Correction Parameter 5 | — | 208 (00D0) | ColorCorr |
| 11 (0B) | Color Correction Parameter 6 | — | 144 (0090) | ColorCorr |
| 12 (0C) | Color Correction Parameter 7 | — | 217 (00D9) | ColorCorr |
| 13 (0D) | Color Correction Parameter 8 | — | 150 (0096) | ColorCorr |
| 14 (0E) | Color Correction Parameter 9 | — | 54 (0036) | ColorCorr |
| 15 (0F) | Color Correction Parameter 10 | — | 77 (0073) | ColorCorr |
| 16 (10) | Color Correction Parameter 11 | — | 93 (005D) | ColorCorr |
| 17 (11) | Color Correction Parameter 12 | — | 201 (00C9) | ColorCorr |
| 18 (12) | Color Correction Parameter 13 | — | N/A | ColorCorr |
| 19 (13) | Color Correction Parameter 14 | — | N/A | ColorCorr |
| 20 (14) | Color Correction Parameter 15 | — | N/A | ColorCorr |
| 21 (15) | Color Correction Parameter 16 | — | 73 (0049) | ColorCorr |
| 22 (16) | Color Correction Parameter 17 | — | 23 (0017) | ColorCorr |
| 23 (17) | Color Correction Parameter 18 | — | 1 (0011) | ColorCorr |
| 24 (18) | Color Correction Parameter 19 | — | 46 (002E) | ColorCorr |
| 25 (19) | Color Correction Parameter 20 | — | 52 (0034) | ColorCorr |
| 26 (1A) | Color Correction Parameter 21 | — | 3 (0003) | ColorCorr |
| 27 (1B) | Color Correction Parameter 22 | — | 62 (003E) | ColorCorr |
| 28 (1C) | Color Correction Parameter 23 | — | 77 (004D) | ColorCorr |
| 29 (1D) | Color Correction Parameter 24 | — | 90 (005A) | ColorCorr |
| 30 (1E) | AWB Parameter 1 | — | 108 (006C) | AWB |
| 31 (1F) | AWB Parameter 2 | — | 160 (00A0) | AWB |
| 32 (20) | AWB Parameter 3 | — | 51220 (C814) | AWB |
| 33 (21) | AWB Parameter 4 | — | 32896 (8080) | AWB |
| 34 (22) | AWB Parameter 5 | — | 55648 (D960) | AWB |
| 35 (23) | AWB Parameter 6 | — | 55648 (D960) | AWB |
| 36 (24) | AWB Parameter 7 | — | 32512 (7F00) | AWB |
| 38 (26) | Auto Exposure Horizontal Window Boundaries | dddd dddd dddd dddd | 32768 (8000) | AE |
| 39 (27) | Auto Exposure Vertical Window Boundaries | dddd dddd dddd dddd | 32776 (8008) | AE |
| 40 (28) | AWB Parameter 8 | — | 61218 (EF22) | AWB |
| 41 (29) | AWB Parameter 9 | — | 36211 (8D73) | AWB |
| 42 (2A) | AWB Parameter 10 | — | 208 (00D0) | AWB |
| 43 (2B) | Auto Exposure Horizontal Center Window Boundaries | dddd dddd dddd dddd | 24608 (6020) | AE |
| 44 (2C) | Auto Exposure Vertical Center Window Boundaries | dddd dddd dddd dddd | 24608 (6020) | AE |
| 45 (2D) | AWB Window Boundaries | dddd dddd dddd dddd | 61600 (F0A0) | AWB |
| 46 (2E) | Auto Exposure Target and Precision Control | dddd dddd dddd dddd | 3146 (0C4A) | AE |
| 47 (2F) | Auto Exposure Speed and Sensitivity Control—Context A | dddd dddd dddd dddd | 57120 (DF20) | AE |
| 48 (30) | AWB Parameter 11 | — | N/A | AWB |


Table 8: Camera Control Registers – Address Page 2 (continued)

| REGISTER # DEC (HEX) | REGISTER NAME | DATA FORMAT | DEFAULT VALUE DEC (HEX) | MODULE |
|----------------------|-------------------------------------|---------------------|-------------------------|-----------|
| 49 (31) | AWB Parameter 12 | — | N/A | AWB |
| 50 (32) | AWB Parameter 13 | — | N/A | AWB |
| 51 (33) | Auto Exposure Parameter 1 | — | 5230 (146E) | AE |
| 54 (36) | Auto Exposure Parameter 2 | — | 30736 (7810) | AE |
| 55 (37) | Auto Exposure Parameter 3 | — | 768 (0300) | AE |
| 56 (38) | Auto Exposure Parameter 4 | — | 1088 (0440) | AE |
| 57 (39) | Auto Exposure Parameter 5 | — | 1702 (06A6) | AE |
| 58 (3A) | Auto Exposure Parameter 6 | — | 1702 (06A6) | AE |
| 59 (3B) | Auto Exposure Parameter 7 | — | 1371 (055B) | AE |
| 60 (3C) | Auto Exposure Parameter 8 | — | 1371 (055B) | AE |
| 61 (3D) | Auto Exposure Parameter 9 | — | 6105 (17D9) | AE |
| 62 (3E) | AWB Parameter 14 | — | 7423 (1CFF) | AWB |
| 63 (3F) | Auto Exposure Parameter 10 | — | N/A | AE |
| 70 (46) | Auto Exposure Parameter 11 | — | 55552(D900) | AE |
| 75 (4B) | Reserved | — | 0 (0000) | — |
| 76 (4C) | Auto Exposure Parameter 12 | — | N/A | AE |
| 77 (4D) | Auto Exposure Parameter 13 | — | N/A | AE |
| 79 (4F) | Reserved | — | 0 (0000) | — |
| 87 (57) | Auto Exposure Parameter 14 | — | 470 (01D6) | AE |
| 88 (58) | Auto Exposure Parameter 15 | — | 564 (0234) | AE |
| 89 (59) | Auto Exposure Parameter 16 | — | 1970 (01D6) | AE |
| 90 (5A) | Auto Exposure Parameter 17 | — | 564 (0234) | AE |
| 91 (5B) | Flicker Control 0 | ?000 0000 0000 0ddd | 2 (0002) | FD |
| 92 (5C) | Reserved | — | 4108 (100C) | — |
| 93 (5D) | Reserved | — | 5392 (1510) | — |
| 94 (5E) | Color Correction Parameter 2 | — | 26952 (6948) | ColorCorr |
| 95 (5F) | Color Correction Parameter 26 | — | 14632 (3928) | ColorCorr |
| 96 (60) | Color Correction Parameter 27 | — | 2 (0002) | ColorCorr |
| 97 (61) | Reserved | — | 32896 (8080) | — |
| 98 (62) | Auto Exposure Digital Gains Monitor | ???? ???? ???? ???? | 4112 (1010) | AE |
| 99 (63) | Reserved | — | N/A | — |
| 100 (64) | Reserved | — | 23036(59FC) | — |
| 101 (65) | Auto Exposure Parameter 18 | — | 0 (000) | AE |
| 103 (67) | Auto Exposure Digital Gain Limits | dddd dddd dddd dddd | 16400 (4010) | AE |
| 104 (68) | Reserved | — | 17 (0011) | — |
| 106 (6A) | Reserved | — | N/A | — |
| 107 (6B) | Reserved | — | N/A | — |
| 108 (6C) | Reserved | — | N/A | — |
| 109 (6D) | Reserved | — | N/A | — |
| 110 (6E) | Reserved | — | N/A | — |
| 111 (6F) | Reserved | — | N/A | — |
| 112 (70) | Reserved | — | N/A | — |
| 113 (71) | Reserved | — | N/A | — |
| 114 (72) | Reserved | — | N/A | — |


Table 8: Camera Control Registers – Address Page 2 (continued)

| REGISTER # DEC (HEX) | REGISTER NAME | DATA FORMAT | DEFAULT VALUE DEC (HEX) | MODULE |
|----------------------|---|---------------------|-------------------------|---------|
| 115 (73) | Reserved | — | N/A | — |
| 116 (74) | Reserved | — | N/A | — |
| 117 (75) | Reserved | — | N/A | — |
| 118 (76) | Reserved | — | N/A | — |
| 119 (77) | Reserved | — | N/A | — |
| 120 (78) | Reserved | — | N/A | — |
| 121 (79) | Reserved | — | N/A | — |
| 122 (7A) | Reserved | — | N/A | — |
| 123 (7B) | Reserved | — | N/A | — |
| 124 (7C) | Reserved | — | N/A | — |
| 125 (7D) | Reserved | — | N/A | — |
| 130 (82) | Auto Exposure Parameter 19 | — | 1020 (03FC) | AE |
| 131 (83) | Auto Exposure Parameter 20 | — | 769 (0301) | AE |
| 132 (84) | Auto Exposure Parameter 21 | — | 193 (00C1) | AE |
| 133 (85) | Auto Exposure Parameter 22 | — | 929 (03A1) | AE |
| 134 (86) | Auto Exposure Parameter 23 | — | 980 (03D4) | AE |
| 135 (87) | Auto Exposure Parameter 24 | — | 983 (03D7) | AE |
| 136 (88) | Auto Exposure Parameter 25 | — | 921 (0399) | AE |
| 137 (89) | Auto Exposure Parameter 26 | — | 1016 (03F8) | AE |
| 138 (8A) | Auto Exposure Parameter 27 | — | 28 (001C) | AE |
| 139 (8B) | Auto Exposure Parameter 28 | — | 957 (03BD) | AE |
| 140 (8C) | Auto Exposure Parameter 29 | — | 987 (03DB) | AE |
| 141 (8D) | Auto Exposure Parameter 30 | — | 957 (03BD) | AE |
| 142 (8E) | Auto Exposure Parameter 31 | — | 1020 (03FC) | AE |
| 143 (8F) | Auto Exposure Parameter 32 | — | 990 (03DE) | AE |
| 144 (90) | Auto Exposure Parameter 33 | — | 990 (03DE) | AE |
| 145 (91) | Auto Exposure Parameter 34 | — | 990 (03DE) | AE |
| 146 (92) | Auto Exposure Parameter 35 | — | 990 (03DE) | AE |
| 147 (93) | Auto Exposure Parameter 36 | — | 31 (001F) | AE |
| 148 (94) | Auto Exposure Parameter 37 | — | 65 (0041) | AE |
| 149 (95) | Auto Exposure Parameter 38 | — | 867 (0363) | AE |
| 150 (96) | Reserved | — | 0 (0000) | — |
| 151 (97) | Reserved | — | N/A | — |
| 152 (98) | Reserved | — | 255 (00FF) | — |
| 153 (99) | Reserved | — | 1 (0001) | — |
| 156 (9C) | Auto Exposure Speed and Sensitivity—Context B | dddd dddd dddd dddd | 57120 (DF20) | AE |
| 180 (B4) | Reserved | — | 32 (0020) | — |
| 181 (B5) | Reserved | — | N/A | — |
| 198 (C6) | Reserved | — | 0 (0000) | — |
| 199 (C7) | Reserved | — | N/A | — |
| 200 (C8) | Global Context Control | dddd dddd dddd dddd | 0 (0000) | CntxCtl |
| 201 (C9) | Context Control Parameter 2 | — | N/A | CntxCtl |
| 202 (CA) | Camera Control Sequencer Parameter | — | N/A | CntxCtl |
| 203 (CB) | Camera Control Sequencer Parameter 2 | — | 0 (0000) | CntxCtl |


Table 8: Camera Control Registers – Address Page 2 (continued)

| REGISTER # DEC (HEX) | REGISTER NAME | DATA FORMAT | DEFAULT VALUE DEC (HEX) | MODULE |
|----------------------|---------------------------------------|-------------|-------------------------|-----------|
| 204 (CC) | Camera Control Sequencer Parameter 3 | — | 0 (0000) | CntxCtl |
| 205 (CD) | Camera Control Sequencer Parameter 4 | — | 2190 (21A0) | CntxCtl |
| 206 (CE) | Camera Control Sequencer Parameter 5 | — | 7835 (1E9B) | CntxCtl |
| 207 (CF) | Camera Control Sequencer Parameter 6 | — | 19018(4A4A) | CntxCtl |
| 208 (D0) | Camera Control Sequencer Parameter 7 | — | 5773 (168D) | CntxCtl |
| 209 (D1) | Camera Control Sequencer Parameter 8 | — | 77 (004D) | CntxCtl |
| 210 (D2) | Camera Control Sequencer Parameter 9 | — | 0 (0000) | CntxCtl |
| 211 (D3) | Camera Control Sequencer Parameter 10 | — | 0 (0000) | CntxCtl |
| 212 (D4) | Camera Control Sequencer Parameter 11 | — | 520 (0208) | CntxCtl |
| 213 (D5) | Camera Control Sequencer Parameter 12 | — | 0 (0000) | CntxCtl |
| 239 (EF) | AWB Parameter 15 | — | 8 (0008) | AWB |
| 242 (F2) | AWB Parameter 16 | — | 0 (0000) | AWB |
| 243 (F3) | Reserved | — | 0 (0000) | — |
| 245 (F5) | Color Correction Parameter 29 | — | 135 (0040) | ColorCorr |
| 246 (F6) | Color Correction Parameter 30 | — | 127 (007F) | ColorCorr |
| 255 (FF) | Color Correction Parameter 39 | — | 43136(A880) | ColorCorr |

NOTE:

Data Format Key:

0 = "Don't Care" bit. The exceptions: R0:0 and R255:0, which are hardwired R/O binary values.

d = R/W bit

? = R/O bit.



Image Flow Processor Register Description

Configuration

The vast majority of IFP registers associate to one of the IFP modules. These modules are identified in Table 7 on page 14 and in Table 8 on page 17. Detailed register descriptions follow in Table 9 and in Table 10 on page 28. A few registers create effects across a number of module functions. These include R240 page

map register (R/W); R6:1 0x106 operating mode control register (R/W); R8:1 0x108 output format control register (R/W); the R62:2 0x23E gain types and CCM threshold register—the gain threshold for CCM adjustment (R/W).

Table 9: Colorpipe Register Description

| REGISTER# (HEX) | DESCRIPTION |
|--|---|
| R5:1—0x105 – Aperture Correction | |
| Default | 0x0003 |
| Description | Aperture correction scale factor used for sharpening. |
| Bit 3 | Enables automatic sharpness reduction control (see R51:2 0x233). |
| Bits 2:0 | Sharpening factor: “000”—No sharpening. “001”—25% sharpening. “010”—50% sharpening. “011”—75% sharpening. “100”—100% sharpening. “101”—125% sharpening. “110”—150% sharpening. “111”—200% sharpening. |
| R6:1—0x106 – Operating Mode Control (R/W) | |
| Default | 0x700E |
| Description | This register specifies the operating mode of the IFP. |
| Bit 15 | Enables manual white balance. User can set the base matrix and color channel gains. This bit must be asserted and de-asserted with a frame in between to force new color correction settings to take effect. |
| Bit 14 | Enables auto exposure. |
| Bit 13 | Enables on-the-fly defect correction. |
| Bit 12 | Reserved—obsolete. The user should write “0” to this bit. |
| Bit 11 | Not used. |
| Bit 10 | Enables lens shading correction. 1: Enables lens shading correction. |
| Bits 9:8 | Reserved. |
| Bit 7 | Enables flicker detection. 1: Enables automatic flicker detection. |
| Bit 6 | Reserved for future expansion. |
| Bit 5 | Reserved. |
| Bit 4 | Bypasses color correction matrix. 1: Outputs “raw” color bypassing color correction. 0: Normal color processing. |
| Bits 3:2 | Auto exposure back light compensation control. “00”—Auto exposure sampling window is specified by R38:2 and R39:2 (“large window”). “01”—Auto exposure sampling window is specified by R43:2 and R44:2 (“small window”). “1X”—Auto exposure sampling window is specified by the weighted sum of the large window and the small window, with the small window weighted four times more heavily. |


Table 9: Colorpipe Register Description (continued)

| | |
|---|---|
| Bit 1 | Enables auto white balance. 1: Enables auto white balance. 0: Freezes white balance at current values. |
| Bit 0 | Reserved for future expansion. |
| R8:1—0X108 – Output Format Control (R/W) | |
| Default | 0x0080 |
| Description | This register specifies the output timing and format in conjunction with R58:1 or R155:1 (depending on the context). |
| Bits 15:11 | Reserved for future expansion. |
| Bit 10 | Gate PIXCLK. 0: PIXCLK not gated. 1: PIXCLK gated with LINE_VALID. |
| Bit 9 | Flip Bayer columns in processed Bayer output mode. 0: Column order is green, red and blue, green. 1: Column order is red, green and green, blue. |
| Bit 8 | Flip Bayer row in processed Bayer output mode. 0: First row contains green and red; the second row contains blue and green. 1: First row contains blue and green; the second row contains green and red. |
| Bit 7 | Controls the values used for the protection bits in Rec. ITU-R BT.656 codes. 0: Use zeros for the protection bits. 1: Use the correct values. |
| Bit 5 | Multiplexes Y (in YCbCr mode) or green (in RGB mode) channel on all channels (monochrome). 1: Forces Y/G onto all channels. |
| Bit 4 | Disables Cb color output channel (Cb = 128) in YCbCr mode and disables the blue color output channel (B = 0) in RGB mode. 1: Forces Cab to 128 or B to 0. |
| Bit 3 | Disables Y color output channel (Y = 128) in YCbCr and disables the green color output channel (G = 0) in RGB mode. 1: Forces Y to 128 or G to 0. |
| Bit 2 | Disables Cr color output channel (Cr = 128) in YCbCr mode and disables the red color output channel (R = 0) in RGB mode. 1: Forces Cr to 128 or R to 0. |
| Bit 1 | Toggles the assumptions about Bayer vertical CFA shift. 0: Row containing red comes first. 1: Row containing blue comes first. |
| Bit 0 | Toggles the assumptions about Bayer horizontal CFA shift. 0: Green comes first. 1: Red or blue comes first. |
| R37:1—0x125 – Color Saturation Control (R/W) | |
| Default | 0x0005 |
| Description | This register specifies the color saturation control settings. |
| Bit 5:3 | Specify overall attenuation of the color saturation. "000"—Full color saturation "001"—75% of full saturation "010"—50% of full saturation "011"—37.5% of full saturation "100"—25% of full saturation "101"—150% of full saturation "110"—Black and white |


Table 9: Colorpipe Register Description (continued)

| | |
|--|---|
| Bit 2:0 | Specify color saturation attenuation at high luminance (linearly increasing attenuation from no attenuation to monochrome at luminance of 224). "000"—No attenuation. "001"—Attenuation starts at luminance of 216. "010"—Attenuation starts at luminance of 208. "011"—Attenuation starts at luminance of 192. "100"—Attenuation starts at luminance of 160. "101"—Attenuation starts at luminance of 96. |
| R52:1—0x134 - Luma Offset (can be used to control brightness) (R/W) | |
| Default | 0x0010 |
| Description | Offset added to the luminance prior to output. |
| Bits 15:8 | Y Offset in YCbCr mode. |
| Bits 7:0 | Offset in RGB mode. |
| R53:1—0x135 - Luma Clip (R/W) | |
| Default | 0xF010 |
| Description | Clipping limits for output luminance. |
| Bits 15:8 | Highest value of output luminance. |
| Bits 7:0 | Lowest value of output luminance. |
| R58:1—0x13A - Output Format Control 2—Context A (R/W) | |
| Default | 0x0200 |
| Description | Output format control 2—context A. |
| Bit 14 | Output processed Bayer data. |
| Bit 13 | Debug flicker luma. |
| Bit 12 | Reserved. |
| Bit 11 | Enables embedding Rec. ITU-R BT.656 synchronization codes in the output data. See R155:1. |
| Bit 10 | Entire image processing is bypassed and raw bayer is output directly. In YCbCr or RGB mode: 0: Normal operation, sensor core data flows through IFP. 1: Bypass IFP and output Imager data directly (full 10 bits). The image data still passes through the camera interface FIFO and the 10 bits are formatted to two output bytes through the camera interface; i.e., 8 + 2. Data rate is effectively the same as default 16-bit /per pixel modes. Auto exposure/AWB, etc., still function and control the sensor, though they are assuming some gain/correction through the colorpipe. See R155:1. |
| Bit 9 | Inverts output pixel clock. By default, this bit is asserted and data is launched off the falling edge of PIXCLK for capture by the receiver on the rising edge. See R155:1. |
| Bit 8 | Enables RGB output. 0: Output YCbCr data. 1: Output RGB format data as defined by R58:1[7:6]. |
| Bits 7:6 | RGB output format: "00"—16-bit RGB565. "01"—15-bit RGB555. "10"—12-bit RGB444x. "11"—12-bit RGBx444. |
| Bits 5:4 | Test Ramp output: "00"—Off. "01"—By column. "10"—By row. "11"—By frame. |
| Bit 3 | Outputs RGB or YCbCr values are shifted 3 bits up. Use with R58:1[5:4] to test LCDs with low color depth. |
| Bit 2 | Averages two nearby chrominance bytes. See R155:1. |


Table 9: Colorpipe Register Description (continued)

| | |
|---|---|
| Bit 1 | In YCbCr mode swap C and Y bytes. In RGB mode, swap odd and even bytes. See R155:1. |
| Bit 0 | In YCbCr mode, swaps Cb and Cr channels. In RGB mode, swaps R and B channels. See R155:1. |
| R72:1—0x148 - Test Pattern Generator control (R/W) | |
| Default | 0x0000 |
| Description | This register enables test pattern generation at the input of the image processor. Values greater than "0" turn on the test pattern generator. The brightness of the flat-color areas depends on the value programmed (from 6–1) in this register. The value 7 produces the color bar pattern. Value 0 selects the sensor image. |
| Bit 7 | Test pattern selection. |
| Bits 2:0 | 1: Forces WB digital gains to 1.0. 0: Normal operation. |
| R153:1—0x199 - Line Counter (R/O) | |
| Default | N/A |
| Description | Use line counter to determine the number of the line currently being output. |
| Bits 15:0 | Line count. |
| R154:1—0x19A - Frame Counter (R/O) | |
| Default | N/A |
| Description | Use frame counter to determine the index of the frame currently being output. |
| Bits 15:0 | Frame count. |
| R155:1—0x19B - Output Format Control 2—Context B (R/W) | |
| Default | 0x0200 |
| Description | Output format control 2—context B. |
| Bit 14 | Output processed Bayer data. |
| Bit 13 | Reserved. |
| Bit 12 | Reserved |
| Bit 11 | Enables embedding Rec. ITU-R BT.656 synchronization codes to the output data. See R58:1. |
| Bit 10 | Entire image processing is bypassed and raw bayer is output directly. In YCbCr or RGB mode: 0: Normal operation, sensor core data flows through IFP. 1: Bypass IFP and output Imager data directly (full 10 bits). The image data still passes through the camera interface FIFO and the 10 bits are formatted to two output bytes through the camera interface; i.e., 8 + 2. Data rate is effectively the same as default 16-bit /per pixel modes. auto exposure/AWB, etc. still function and control the sensor, though they are assuming some gain/correction through the colorpipe. See R58:1. |
| Bit 9 | Inverts output pixel clock. By default, this bit is asserted and data is launched off the falling edge of PIXCLK for capture by the receiver on the rising edge. See R58:1. |
| Bit 8 | Enables RGB output. 0: Output YCbCr data. 1: Output RGB format data as defined by R155:1[7:6]. See R58:1. |
| Bits 7:6 | RGB output format: "00" —16-bit RGB565. "01" —15-bit RGB555. "10" —12-bit RGB444x. "11" —12-bit RGBx444. |
| Bits 5:4 | Test Ramp output: "00" —Off. "01" —By column. "10" —By row. "11" —By frame. |
| Bit 3 | Output RGB or YCbCr values are shifted 3 bits up. Use with R58:1[5:4] to test LCDs with low color depth. |
| Bit 2 | Averages two nearby chrominance bytes. See R58:1 |


Table 9: Colorpipe Register Description (continued)

| | |
|---|---|
| Bit 1 | In YCbCr mode swap C and Y bytes. In RGB mode, swap odd and even bytes. See R58:1. |
| Bit 0 | In YCbCr mode, swaps Cb and Cr channels. In RGB mode, swaps R and B channels. See R58:1. |
| R161:1—0x1A1 – Reducer Horizontal Output Size Resize—Context B (R/W) | |
| R164:1—0x1A4 – Reducer Vertical Output Size Resize—Context B (R/W) | |
| Default | 0x01E0 |
| Description | Controls reducer vertical output size in context B. (Sensor Window Height 179 ≥ = YZoom Window Height ≥ = Output YSize) |
| Bits 10:0 | Y Size. |
| R165:1—0x1A5 – Reducer Horizontal Pan Resize (R/W) | |
| Default | 0x0000 |
| Description | Controls reducer horizontal pan. Pan and Zoom settings are NOT context switchable. The same field of view will be active for both context A and context B. |
| Bit 14 | 0: MT9V112-compatible offset from X = 0. 1: Centered origin at 320 for more convenient zoom and resize. |
| Bits 10:0 | X Pan: Unsigned offset from X = 0 (Bit 14 = 0), or two's complement from X = 320 (Bit 14 = 1). |
| R166:1—0x1A6 – Reducer Horizontal Zoom Resize (R/W) | |
| Default | 0x0280 |
| Description | Controls reducer horizontal zoom. Pan and Zoom settings are NOT context switchable. The same field of view will be active for both context A and context B. |
| Bits 10:0 | X Zoom. |
| R167:1—0x1A7 – Reducer Horizontal Output Size Resize—Context A (R/W) | |
| Default | 0x0140 |
| Description | Controls reducer horizontal output size in context A. |
| Bits 10:0 | X Size. |
| R168:1—0x1A8 – Reducer Vertical Pan Resize (R/W) | |
| Default | 0x0000 |
| Description | Controls reducer vertical pan. Pan and Zoom settings are NOT context switchable. The same field of view will be active for both context A and context B. |
| Bit 14 | 0: MT9V112-compatible origin at Y = 0. 1: Centered origin at Y = 240 for more convenient zoom and resize. |
| Bits 10:0 | Y Pan: unsigned offset from y = 0 (Bit 14 = 0), or two's complement from Y = 240 (Bit 14 = 1). |
| R169:1—0x1A9 – Reducer Vertical Zoom Resize (R/W) | |
| Default | 0x01E0 |
| Description | Controls reducer vertical zoom. Pan and Zoom settings are NOT context switchable. The same field of view will be active for both context A and context B. |
| Bits 10:0 | Y Zoom. |
| R170:1—0x1AA – Reducer Vertical Output Size Resize—Context A (R/W) | |
| Default | 0x00F0 |
| Description | Controls reducer vertical output size in context A. |
| Bits 10:0 | Y Size. |
| R171:1—0x1AB – Reducer Current Horizontal Zoom (R/O) | |
| Default | 0x0280 |
| Description | Current horizontal zoom. |
| Bits 13:12 | IR X shift. 0: No IR 1: 2x 2: 4x 3: 8x |


Table 9: Colorpipe Register Description (continued)

| | |
|---|--|
| Bits 11:0 | Current zoom window width. After automatic zoom (R175:1), copy R171:1 to the snapshot X Zoom register R166:1 (context A) or R160:1 (context B) so the snapshot has the same field of view as preview. Also copy to snapshot X Size register R167:1 (context A) or R161 (context B) for largest snapshot. |
| R172:1—0x1AC – Reducer Current Vertical Zoom (R/O) | |
| Default | 0x01E0 |
| Description | Current vertical zoom. |
| Bits 13:12 | IR Y Shift. 0: No IR 1: 2x 2: 4x 3: 8x |
| Bits 11:0 | Current zoom window height. After automatic zoom (R175:1), copy R172:1 to the snapshot Y Zoom register R169:1 (context A) or R163:1 (context B) so the snapshot has the same field of view as preview. Also copy to snapshot X Size register R170:1 (context A) or R164 (context B) for largest snapshot. |
| R174:1—0x1AE – Reducer Zoom Step Size (R/W) | |
| Default | 0x0C09 |
| Description | Zoom step sizes. Should be a multiple of the aspect ratio 5:4 for VGA or 4:3 VGA or 11:9 for CIF. |
| Bits 15:8 | Zoom step size in X. |
| Bits 7:0 | Zoom step size in Y. |
| R175:1—0x1AF – Reducer Zoom Control (R/W) | |
| Default | 0x0000 |
| Description | Resize Interpolation and zoom control. |
| Bit 15:10 | Reserved. |
| Bit 9 | Starts automatic “zoom out” in step sizes defined in R174:1. |
| Bit 8 | Starts automatic “zoom in” in step sizes defined in R174:1. |
| Bit 7:0 | Reserved. |
| R200:1—0x1C8 – Global Context Control (R/W) | |
| Default | 0x0000 |
| Description | Defines sensor and colorpipe context for current frame. Registers R200:0, R200:1, and R200:2 are shadows of each other. See description in R200:2. It is recommended that all updates to R200:n are handled by means of a WRITE to R200:2. |
| Bit 15:0 | See R200:2[15:0]. |
| R226:1—0x1E2 – Effects Mode (R/W) | |
| Default | 0x7000 |
| Description | This register specifies which of several special effects to apply to each pixel passing through the pixel pipe. |
| Bits 15:8 | Solarization threshold. |
| Bits 2:0 | Specification of the effects mode. “000”—No effect (pixels pass through unchanged). “001”—Monochrome (chromas set to 0). “010”—Sepia (chromas set to the value in the effects sepia register). “011”—Negative (all color channels inverted). “100”—Solarize (luma conditionally inverted). “101”—Solarize2 (luma conditionally inverted, chromas inverted when luma inverted). |
| R227:1—0x1E3 – Effects Sepia (R/W) | |
| Default | 0xB023 |
| Description | This register specifies the chroma values for the sepia effect. In sepia mode, the chroma values of each pixel are set to this value. By default, this register contains a brownish color, but it can be set to an arbitrary color. |
| Bit 15 | Sign of Cb. |
| Bits 14:8 | Magnitude of Cb in 0.7 fixed point. |

**Table 9: Colorpipe Register Description (continued)**

| | |
|----------|-------------------------------------|
| Bit 7 | Sign of Cr. |
| Bits 6:0 | Magnitude of Cr in 0.7 fixed point. |


Table 10: Camera Control Register Description

| R38:2—0x226 - Auto Exposure Horizontal Window Boundaries (R/W) | |
|--|--|
| Default | 0x8000 |
| Description | This register specifies the left and right boundaries of the window used by the auto exposure measurement engine. The values programmed in the registers are the fractional percentage, where 128 (decimal) is the right-most edge of the frame, 64 (decimal) is the middle of the frame, and 0 is the left-most edge of the frame. |
| Bits 15:8 | Right window boundary. |
| Bits 7:0 | Left window boundary. |
| R39:2—0x227 - Auto Exposure Vertical Window Boundaries (R/W) | |
| Default | 0x8008 |
| Description | This register specifies the top and bottom boundaries of the window used by the auto exposure measurement engine. The values programmed in the registers are the fractional percentage, where 128 (decimal) is the bottom edge of the frame, 64 (decimal) is the middle of the frame, and 0 is the top edge of the frame. |
| Bits 15:8 | Bottom window boundary. |
| Bits 7:0 | Top window boundary. |
| R43:2—0x22B - Auto Exposure Horizontal Center Window Boundaries (R/W) | |
| Default | 0x6020 |
| Description | This register specifies the left and right boundaries of the window used by the auto exposure measurement engine in back light compensation mode. The values programmed in the registers are the fractional percentage, where 128 (decimal) is the right-most edge of the frame, 64 (decimal) is the middle of the frame, and 0 is the left-most edge of the frame. |
| Bits 15:8 | Right window boundary. |
| Bits 7:0 | Left window boundary. |
| R44:2—0x22C - Auto Exposure Vertical Center Window Boundaries (R/W) | |
| Default | 0x6020 |
| Description | This register specifies the top and bottom boundaries of the window used by the auto exposure measurement engine in back light compensation mode. The values programmed in the registers are the fractional percentage, where 128 (decimal) is the bottom edge of the frame, 64 (decimal) is the middle of the frame, and "0" is the top edge of the frame. |
| Bits 15:8 | Bottom window boundary. |
| Bits 7:0 | Top window boundary. |
| R45:2—0x22D - AWB Window Boundaries (R/W) | |
| Default | 0xF0A0 |
| Description | This register specifies the boundaries of the window used by the AWB measurement engine. Essentially, it describes the AWB measurement window in terms relative to the size of the image—horizontally, in units of 1/10ths of the width of the image; vertically, in units of 1/16 of the height of the image. So although the positioning is highly quantized, the window remains roughly in place as the resolution changes. |
| Bits 15:12 | Bottom window boundary (in units of blocks). |
| Bits 11:8 | Top window boundary (in units of blocks). |
| Bits 7:4 | Right window boundary (in units of 2 blocks). |
| Bits 3:0 | Left window boundary (in units of 2 blocks). |
| R46:2—0x22E - Auto Exposure Target and Precision Control (R/W) | |
| Default | 0x0C4A |
| Description | This register specifies the luma target of the auto exposure algorithm and the size of the window/range around the target in which no auto exposure adjustment is made. This window is centered on target, but the value programmed in the register is 1/2 of the window size. |
| Bits 15:8 | Half-size of the auto exposure stability window/range. |


Table 10: Camera Control Register Description (continued)

| | |
|--|--|
| Bits 7:0 | Luma value of the auto exposure target. |
| R47:2—0x22F - Auto Exposure Speed and Sensitivity Control—Context A (R/W) | |
| Default | 0xDF20 |
| Description | This register specifies the speed and sensitivity to changes of auto exposure in context A. |
| Bit 15 | Reserved. |
| Bit 14 | Reserved. |
| Bits 13:12 | Reserved. |
| Bit 11 | Reserved. |
| Bit 10 | Reserved. |
| Bit 9 | Reserved. |
| Bits 8:6 | Factor of reduction of the difference between current luma and target luma. In one adjustment auto exposure advances from current luma to target as follows: "000"—1/4 way going down, 1/8 going up. "001"—1/4 way in both directions. "010"—1/2 way in both directions. "011"—1/2 way going down, 1/4 going up. "100"—All the way in both directions (fast adaptation!). "101"—3/4 way in both directions. "110"—7/8 way in both directions. "111"—Reserved. Currently the same as "100" |
| Bit 5 | Reserved |
| Bits 4:3 | Auto exposure luma is updated every N frames, where N is given by this field. |
| Bits 2:0 | Hysteresis control via time-averaged smoothing of luma data. Luma measurements for auto exposure are time-averaged as follows: "000"—Auto exposure luma = current luma. "001"—Auto exposure luma = 1/2 current luma + 1/2 buffered value. "010"—Auto exposure luma = 1/4 current luma + 3/4 buffered value. "011"—Auto exposure luma = 1/8 current luma + 7/8 buffered value. "100"—Auto exposure luma = 1/16 current luma + 15/16 buffered value. "101"—Auto exposure luma = 1/32 current luma + 31/32 buffered value. "110"—Auto exposure luma = 1/64 current luma + 63/64 buffered value. "111"—Auto exposure luma = 1/128 current luma + 127/128 buffered value. |
| R91:2—0x25B - Flicker Control (R/W) | |
| Default | 0x0002 |
| Description | Primary Flicker Control Register. |
| Bit 15 | (READ only) 50Hz/60Hz detected. 0: 50Hz detected. 1: 60Hz detected. |
| Bit 2 | Reserved. |
| Bit 1 | When in "manual" flicker mode (R91:2[0] = 1), defines which flicker frequency to avoid. 0: Forces 50Hz detection. 1: Forces 60Hz detection. |
| Bit 0 | 0: Auto flicker detection. 1: Manual Mode. |
| R98:2—0x262 - Auto Exposure Digital Gains Monitor (R/W*) | |
| Default | |
| Description | These digital gains are applied within the IFP; they are independent of the imager gains. |
| Bits 15:8 | Post-lens correction digital gain (writable if auto exposure is disabled). |
| Bits 7:0 | Pre-lens correction digital gain (writable if auto exposure is disabled). |


Table 10: Camera Control Register Description (continued)

| R103:2—0x267 - Auto Exposure Digital Gain Limits (R/W) | |
|---|--|
| Default | 0x4010 |
| Description | This register specifies the upper limits of the digital gains used by the auto exposure algorithm. The values programmed to this register are 16 times the absolute gain values. The value of 16 represents the gain 1.0. |
| Bits 15:8 | Maximum limit on post-lens correction digital gain. |
| Bits 7:0 | Maximum limit on pre-lens correction digital gain. |
| R156:2—0x29C - Auto Exposure Speed and Sensitivity Control—Context B (R/W) | |
| Default | 0xDF20 |
| Description | This register specifies the speed and sensitivity to auto exposure changes in context B. |
| Bit 15 | Reserved. |
| Bit 14 | Reserved. |
| Bits 13:12 | Reserved. |
| Bit 11 | Reserved. |
| Bit 10 | Reserved. |
| Bit 9 | Reserved. |
| Bits 8:6 | Factor of reduction of the difference between current luma and target luma. In one adjustment, auto exposure advances from current luma to target as follows: "000"—1/4 way going down, 1/8 going up. "001"—1/4 way in both directions. "010"—1/2 way in both directions. "011"—1/2 way going down, 1/4 going up. "100"—All the way in both directions (fast adaptation!). "101"—3/4 way in both directions. "110"—7/8 way in both directions. "111"—Reserved. Currently the same as "100." |
| Bit 5 | Reserved. |
| Bits 4:3 | Auto exposure luma is updated every N frames, where N is given by this field. |
| Bits 2:0 | Hysteresis control via time-averaged smoothing of luma data. Luma measurements for auto exposure are time-averaged as follows: "000"—Auto exposure luma = current luma. "001"—Auto exposure luma = 1/2 current luma + 1/2 buffered value. "010"—Auto exposure luma = 1/4 current luma + 3/4 buffered value. "011"—Auto exposure luma = 1/8 current luma + 7/8 buffered value. "100"—Auto exposure luma = 1/16 current luma + 15/16 buffered value. "101"—Auto exposure luma = 1/32 current luma + 31/32 buffered value. "110"—Auto exposure luma = 1/64 current luma + 63/64 buffered value. "111"—Auto exposure luma = 1/128 current luma + 127/128 buffered value. |
| R180:2 - Reserved | |
| R200:2—0x2C8 - Global Context Control (R/W) | |
| Default | 0x0000 |
| Description | Defines sensor and colorpipe context for current frame. Context A is typically used to define preview or viewfinder mode, while context B is typically used for snapshots. The bits of this register <i>directly</i> control the respective functions, so care must be taken when writing to this register if a bad frame is to be avoided during the context switch. |
| Bit 15 | Controls assertion of sensor restart on update of global context control register. This helps ensure that the very next frame is generated with the new context (a problem with regard to exposure due to the rolling shutter). This bit is automatically cleared once the restart has occurred. 0: Do not restart sensor. 1: Restart sensor. |


Table 10: Camera Control Register Description (continued)

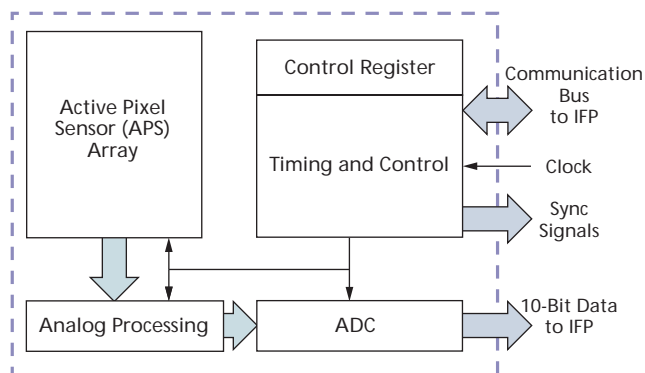
| | |
|--------|--|
| Bit 14 | Reserved. |
| Bit 13 | Reserved. |
| Bit 12 | Reserved. |
| Bit 11 | Reserved. |
| Bit 10 | Resize/zoom context. Switch resize/zoom contexts: 0: Context A 1: Context B |
| Bit 9 | Output format control 2 Context. See R58:1 and R155:1. 0: Context A 1: Context B |
| Bit 8 | Gamma table context. 0: Context A 1: Context B |
| Bit 7 | Arm Xenon Flash. |
| Bit 6 | Blanking control. This is primarily for use by the internal sequencer when taking automated (e.g., flash) snapshots. Setting this bit stops frames from being sent over the BT656 external pixel interface. This is useful for ensuring that the desired frame during a snapshot sequence is the only frame captured by the host. 0: No blanking 1: Blank frames to host |
| Bit 5 | Reserved. |
| Bit 4 | Reserved. |
| Bit 3 | Sensor Read Mode context (skip mode, power mode (second ADC on/off), see R33:0 and R32:0). 0: Context A 1: Context B |
| Bit 2 | LED Flash ON: 0: Turn off LED Flash 1: Turn on LED Flash |
| Bit 1 | Vertical blanking context: 0: Context A 1: Context B |
| Bit 0 | Horizontal blanking context: 0: Context A 1: Context B |



Sensor Core Overview

The sensor consists of a pixel array of 695 x 504 total, an analog readout chain, 10-bit ADC with programmable gain and black offset, and timing and control.

Figure 5: Sensor Core Block Diagram



Pixel Data Format

Pixel Array Structure

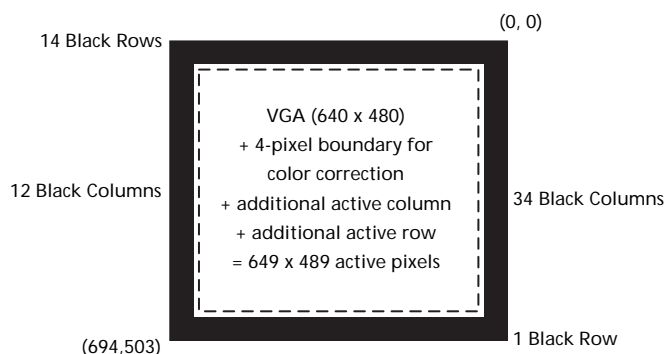
The sensor core pixel array is configured as 695 columns by 504 rows, shown in Figure 6. The first 34 columns and the first 14 rows of pixels are optically black, and can be used to monitor the black level. The last 12 columns and the last row of pixels also are optically black.

The black row data is used internally for the automatic black level adjustment. However, these black rows can also be read out by setting the sensor to raw data output mode.

There are 649 columns by 489 rows of optically-active pixels that provide a four-pixel boundary around the VGA (640 x 480) image to avoid boundary effects during color interpolation and correction.

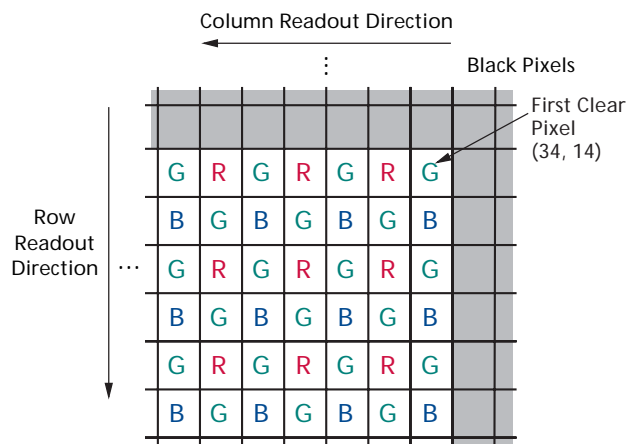
The additional active column and additional active row are used to enable horizontally and vertically mirrored readout to start on the same color pixel.

Figure 6: Pixel Array Description



The sensor core uses an RGB Bayer color pattern, shown in Figure 7. The even-numbered rows contain green and red color pixels, and odd-numbered rows contain blue and green color pixels. The even-numbered columns contain green and blue color pixels; odd-numbered columns contain red and green color pixels.

Figure 7: Pixel Color Pattern Detail (top right corner)

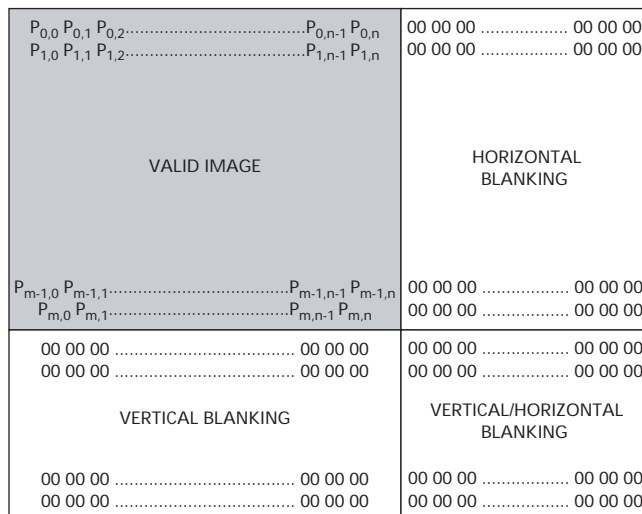




Output Data Format

The sensor core image data is read out in a progressive scan. Valid image data is surrounded by horizontal blanking and vertical blanking, shown in Figure 8. LINE_VALID is HIGH during the shaded region of the figure. FRAME_VALID timing is described in “Appendix A” on page 52.

Figure 8: Spatial Illustration of Image Readout





Sensor Core Registers

Table 11: Sensor Registers – Address Page 0

| REGISTER# DEC (HEX) | REGISTER NAME | DATA FORMAT | DEFAULT VALUE DEC (HEX) |
|---------------------|-------------------------------|---------------------------|-------------------------|
| 0 (0x00) | Chip Version | 0001 0010 0010 1001 (LSB) | 4649 (0x1229) |
| 1 (0x01) | Row Start | 0000 0ddd dddd dddd | 18 (0x12) |
| 2 (0x02) | Column Start | 0000 0ddd dddd dddd | 38 (0x0026) |
| 3 (0x03) | Row Width | 0000 0ddd dddd dddd | 480 (0x01E0) |
| 4 (0x04) | Column Width | 0000 0ddd dddd dddd | 640 (0x280) |
| 5 (0x05) | Horizontal Blanking—Context B | 00dd dddd dddd dddd | 203 (0xCB) |
| 6 (0x06) | Vertical Blanking—Context B | 0ddd dddd dddd dddd | 11 (0x0B) |
| 7 (0x07) | Horizontal Blanking—Context A | 00dd dddd dddd dddd | 203 (0xCB) |
| 8 (0x08) | Vertical Blanking—Context A | 0ddd dddd dddd dddd | 11 (0x0B) |
| 9 (0x09) | Shutter Width | dddd dddd dddd dddd | 470 (0x1D6) |
| 10 (0x0A) | Row Speed | ddd0 000d dddd dddd | 17 (0x0011) |
| 11 (0x0B) | Extra Delay | 00dd dddd dddd dddd | 0 (0x0000) |
| 12 (0x0C) | Shutter Delay | 00dd dddd dddd dddd | 0 (0x0000) |
| 13 (0x0D) | Reset | d000 00dd 00dd dddd | 8 (0x0008) |
| 32 (0x20) | Read Mode—Context B | dd00 0ddd dddd dddd | 1792 (0x0700) |
| 33 (0x21) | Read Mode—Context A | 0000 0d00 0000 dd00 | 1024 (0x0400) |
| 34 (0x22) | Reserved | — | 299 (0x012B) |
| 35 (0x23) | Flash Control | ??dd dddd dddd dddd | 1544 (0x0608) |
| 36 (0x24) | Reserved | — | 16384 (0x4000) |
| 43 (0x2B) | Green1 Gain | 0000 0ddd dddd dddd | 32 (0x0020) |
| 44 (0x2C) | Blue Gain | 0000 0ddd dddd dddd | 32 (0x0020) |
| 45 (0x2D) | Red Gain | 0000 0ddd dddd dddd | 32 (0x0020) |
| 46 (0x2E) | Green2 Gain | 0000 0ddd dddd dddd | 32 (0x0020) |
| 47 (0x2F) | Global Gain | 0000 0ddd dddd dddd | 32 (0x0020) |
| 48 (0x30) | Reserved | — | 1066 (0x042A) |
| 49 (0x31) | Reserved | — | 7168 (0x1C00) |
| 50 (0x32) | Reserved | — | 42 (0x002A) |
| 51 (0x33) | Reserved | — | 833 (0x0341) |
| 52 (0x34) | Reserved | — | 49160 (0xC009) |
| 53 (0x35) | Clip Control | — | 8226 (0x2022) |
| 54 (0x36) | Reserved | — | 61680 (0xF0F0) |
| 55 (0x37) | Reserved | — | 0 (0x0000) |
| 59 (0x3B) | Reserved | — | 33 (0x0021) |
| 60 (0x3C) | Reserved | — | 6688 (0x1A20) |
| 61 (0x3D) | Reserved | — | 8222 (0x201E) |
| 62 (0x3E) | Reserved | — | 8224 (0x2020) |
| 63 (0x3F) | Reserved | — | 4128 (0x1020) |
| 64 (0x40) | Reserved | — | 8192 (0x2000) |
| 65 (0x41) | Reserved | — | 215 (0x00D7) |
| 66 (0x42) | Reserved | — | 1911 (0x0777) |
| 88 (0x58) | New Black Level Algorithm | — | 0 (0x0000) |
| 89 (0x59) | Reserved | — | 12 (0x000C) |
| 90 (0x5A) | Reserved | — | 57354 (0xE00A) |


Table 11: Sensor Registers – Address Page 0 (continued)

| REGISTER# DEC (HEX) | REGISTER NAME | DATA FORMAT | DEFAULT VALUE DEC (HEX) |
|---------------------|------------------|---------------------|-------------------------|
| 91 (0x5B) | Reserved | — | N/A |
| 92 (0x5C) | Reserved | — | N/A |
| 93 (0x5D) | Reserved | — | N/A |
| 94 (0x5E) | Reserved | — | N/A |
| 95 (0x5F) | Reserved | — | 8989 (0x231D) |
| 96 (0x60) | Reserved | — | 128 (0x0080) |
| 97 (0x61) | Reserved | — | 0 (0x0000) |
| 98 (0x62) | Reserved | — | 0 (0x0000) |
| 99 (0x63) | Reserved | — | 0 (0x0000) |
| 100 (0x64) | Reserved | — | 0 (0x0000) |
| 112 (0x70) | Reserved | — | 31498 (0x7B0A) |
| 113 (0x71) | Reserved | — | 31498 (0x7B0A) |
| 114 (0x72) | Reserved | — | 6414 (0x190E) |
| 115 (0x73) | Reserved | — | 29967 (0x750F) |
| 116 (0x74) | Reserved | — | 22322 (0x5732) |
| 117 (0x75) | Reserved | — | 22068 (0x5634) |
| 118 (0x76) | Reserved | — | 29493 (0x7335) |
| 119 (0x77) | Reserved | — | 12306 (0x3012) |
| 120 (0x78) | Reserved | — | 30978 (0x7902) |
| 121 (0x79) | Reserved | — | 29958 (0x7506) |
| 122 (0x7A) | Reserved | — | 30474 (0x770A) |
| 123 (0x7B) | Reserved | — | 30729 (0x7809) |
| 124 (0x7C) | Reserved | — | 32006 (0x7D06) |
| 125 (0x7D) | Reserved | — | 12560 (0x3110) |
| 126 (0x7E) | Reserved | — | 126 (0x007E) |
| 127 (0x7F) | Reserved | — | 31745 (0x7C01) |
| 128 (0x80) | Reserved | — | 22788 (0x5904) |
| 129 (0x81) | Reserved | — | 22788 (0x5904) |
| 130 (0x82) | Reserved | — | 22282 (0x570A) |
| 131 (0x83) | Reserved | — | 22539 (0x580B) |
| 132 (0x84) | Reserved | — | 18188 (0x470C) |
| 133 (0x85) | Reserved | — | 18446 (0x480E) |
| 134 (0x86) | Reserved | — | 23298 (0x5B02) |
| 135 (0x87) | Reserved | — | 92 (0x005C) |
| 200 (0xC8) | Context Control | d000 0000 d000 dddd | 11 (0x000B) |
| 240 (0xF0) | Page Map | 0000 0000 0000 0ddd | 0 (0x0000) |
| 241 (0xF1) | Bytewise Address | Reserved | Reserved |
| 245 (0xF5) | Reserved | — | 1023 (0x03FF) |
| 246 (0xF6) | Reserved | — | 511 (0x01FF) |
| 247 (0xF7) | Reserved | — | 0 (0x0000) |
| 248 (0xF8) | Reserved | — | 0 (0x0000) |
| 249 (0xF9) | Reserved | — | 0 (0x0000) |
| 250 (0xFA) | Reserved | — | 0 (0x0000) |
| 251 (0xFB) | Reserved | — | 0 (0x0000) |
| 252 (0xFC) | Reserved | — | 0 (0x0000) |


Table 11: Sensor Registers – Address Page 0 (continued)

| REGISTER# DEC (HEX) | REGISTER NAME | DATA FORMAT | DEFAULT VALUE DEC (HEX) |
|---------------------|---------------|---------------------------|-------------------------|
| 253 (0xFD) | Reserved | — | 0 (0x0000) |
| 255 (0x00) | Chip Version | 0001 0010 0010 1001 (LSB) | 4649 (0x1229) |

NOTE:

Data Format Key:

0 = "Don't Care" bit

d = R/W bit

? = R/O bit. The exceptions: R0:0 and R255:0, which are hardwired R/O binary values.


Table 12: Sensor Core Register Descriptions

| BIT FIELD | DESCRIPTION | DEFAULT (HEX) | SYNC'D TO FRAME START | BAD FRAME | READ/ WRITE |
|---|--|---------------|-----------------------|-----------|-------------|
| R0:0—0x000 – Chip Version (R/O) | | | | | |
| Bits 15:0 | Hardwired READ only. | 0x1229 | | | R |
| R1:0—0x001 – Row Start | | | | | |
| Bits 10:0 Row Start | The first row to be read out (not counting dark rows that may be read). To window the image down, set this register to the starting Y value. Setting a value less than 8 is not recommended since the dark rows should be read using Reg0x022. | 0x12 | Y | YM | W |
| R2:0—0x002 – Column Start | | | | | |
| Bits 10:0 Col Start | The first column to be read out (not counting dark columns that may be read). To window the image down, set this register to the starting X value. Setting a value below 0x18 is not recommended since readout of dark columns should be controlled by Reg0x022. | 0x26 | Y | YM | W |
| R3:0—0x003 – Row Width | | | | | |
| Bits 10:0 Row Width | Number of rows in the image to be read out (not counting dark rows or border rows that may be read). | 0x1E0 | Y | YM | W |
| R4:0—0x004 – Column Width | | | | | |
| Bits 10:0 Col Width | Number of columns in image to be read out (not counting dark columns or border columns that may be read). | 0x284 | Y | YM | W |
| R5:0—0x005 – Horizontal Blanking—Context B | | | | | |
| Bits 10:0 Horizontal Blanking B | Number of blank columns in a row when context B is chosen (bit 0, Reg0x0C8 = 1). The extra columns are added at the beginning of a row. The minimum supported value is 132. | 0xCB | Y | YM | W |
| R6:0—0x006 – Vertical Blanking—Context B | | | | | |
| Bits 14:0 Vertical Blanking B | Number of blank rows in a frame when context B is chosen (bit 1, Reg0x0C8 = 1). This number must be equal to or larger than the number of dark rows read out in a frame specified by Reg0x022. | 0x0B | Y | N | W |
| R7:0—0x007 – Horizontal Blanking—Context A | | | | | |
| Bits 10:0 Horizontal Blanking A | Number of blank columns in a row when context A is chosen (bit 0, Reg0x0C8 = 0). The extra columns are added at the beginning of a row. The minimum supported value is 132. | 0xCB | Y | YM | W |
| R8:0—0x008 – Vertical Blanking—Context A | | | | | |
| Bits 14:0 Vertical Blanking A | Number of blank rows in a frame when context A is chosen (bit 1, Reg0x0C8 = 1). This number must be equal to or larger than the number of dark rows read out in a frame specified by Reg0x022. | 0xB | Y | N | W |
| R9:0—0x009 – Shutter Width | | | | | |
| Bits 15:0 Shutter Width | Integration time in number of rows. In addition to this register, the shutter delay register (Reg0x0C) and the overhead time influences the integration time for a given row time. | 0x1D6 | Y | N | W |
| R10:0—0x00A – Row Speed | | | | | |
| Bit 13 | Invert to cb clock. | — | — | — | — |
| Bit 8 Invert Pixel Clock | Invert pixel clock. When set, LINE_VALID, FRAME_VALID, and DATA_OUT is set to the falling edge of PIXCLK. When clear, they are set to the rising edge if there is no pixel clock delay. | 0x0 | N | 0 | W |


Table 12: Sensor Core Register Descriptions (continued)

| BIT FIELD | DESCRIPTION | DEFAULT (HEX) | SYNC'D TO FRAME START | BAD FRAME | READ/ WRITE |
|--|--|---------------|-----------------------|-----------|-------------|
| Bits 7:4 Delay Pixel Clock | Delay PIXCLK in half-master-clock cycles. When set, the pixel clock can be delayed in increments of half-master- clock cycles compared to the synchronization of FRAME_VALID, LINE_VALID, and DATA_OUT. | 0x1 | N | 0 | W |
| Bits 3:0 Pixel Clock Speed | The pixel clock period is doubled, so the ADC clock period remains the same for one programmed register value. The value "0" is not allowed, and "1" is used instead. | 0x1 | Y | YM | W |
| R11:0—0x00B – Extra Delay | | | | | |
| Bits 13:0 Extra Delay | Extra blanking inserted between frames specified in pixel clocks. Can be used to get a more exact frame rate. For integration times less than a frame, however, it might affect the integration times for parts of the image. | 0x0 | Y | 0 | W |
| R12:0—0x00C – Shutter Delay | | | | | |
| Bits 10:0 Shutter Delay | The amount of time from the end of the sampling sequence to the beginning of the pixel reset sequence. This variable is automatically halved in low-power mode, so the time in use remains the same. This register has an upper value defined by the fact that the reset needs to finish prior to readout of that row to prevent changes in the row time. | 0x0 | Y | N | W |
| R13:0—0x00D – Reset | | | | | |
| Bit 15 Synchronize Changes | 0: Normal operation, updates changes to registers that affect image brightness at the next frame boundary (integration time, integration delay, gain, horizontal blanking and vertical blanking, window size, row/column skip, or row mirror. 1: Do not update any changes to these settings until this bit is returned to "0." All registers that are frame-synchronized are affected by this bit setting. | 0x0 | N | 0 | W |
| Bit 13 Stop_soc | Setting this bit turns off all SOC clocks. | 0x0 | N | 0 | W |
| Bit 12 Div 2 | By setting this bit, the CLK_IN is divided by two before going to master clock control. | 0x0 | N | 0 | W |
| Bit 10 Switch Two-wire Interface ID | Setting this bit converts SHIP_ID from default to the other (0xBA/0xBB => 0x90/0x91). | 0x0 | N | N | W |
| Bit 9 Restart Bad Frames | When set, a forced restart occurs when a bad frame is detected. This can shorten the delay when waiting for a good frame because the delay when masking out a bad frame is the integration time rather than the full frame time. | 0x0 | N | 0 | W |
| Bit 8 Show Bad Frames | 0: Only output good frames (default) A bad frame is defined as the first frame following a change to: window size or position, horizontal blanking, pixel clock speed, zoom, row or column skip, or mirroring. 1: Output all frames (including bad frames) | 0x0 | N | 0 | W |
| Bit 7 Inhibit Standby | Setting this bit stops STANDBY from affecting entry to or exit from the low-power state. | | | | |
| Bit 6 Drive Signals | By default, asserting STANDBY causes the ball interface to enter High-Z. Setting this bit stops STANDBY from contributing to output enable control. | | | | |


Table 12: Sensor Core Register Descriptions (continued)

| BIT FIELD | DESCRIPTION | DEFAULT (HEX) | SYNC'D TO FRAME START | BAD FRAME | READ/ WRITE |
|--|---|---------------|-----------------------|-----------|-------------|
| Bit 5 Reset SOC | This reset signal is fed directly to the SOC part of the chip, and has no functionality in a stand alone sensor. | 0x0 | N | 0 | W |
| Bit 4 Output Disable | When set, the output signals are tri-stated. | 0x0 | N | 0 | W |
| Bit 3 Chip Enable | 0: Stop sensor readout. When this is returned to "1," sensor readout restarts and begins resetting the starting row in a new frame. To reduce the digital power, the master clock to the sensor can be disabled or STANDBY can be used. 1: Normal operation. | 0x1 | N | YM | W |
| Bit 2 Standby | 0: Normal operation (default) 1: Disable analog circuitry and internal clocks. Whenever this bit is set to "1" the chip enable bit (bit 3) should be set to "0." | 0x0 | N | YM | W |
| Bit 1 Restart | Setting this bit causes the sensor to abandon the current frame and start resetting the first row. The delay before the first valid frame is read out equals the integration time. This bit always reads "0." | 0x0 | N | YM | W |
| Bit 0 Reset | Setting this bit puts the sensor in reset mode; this sets the sensor to its default power-up state. Clearing this bit resumes normal operation. | 0x0 | N | YM | W |
| R32:0—0x020 - Read Mode—Context B | | | | | |
| Bit 15 XOR Line Valid | 0: LINE_VALID determined by bit 9. Ineffective if Continuous LINE_VALID is set. 1: LINE_VALID = "Continuous" Line Valid XOR Frame Valid, | 0x0 | N | 0 | W |
| Bit 14 Continuous Line Valid | 0: Normal LINE_VALID (default, no line valid during vertical blanking). 1: "Continuous" LINE_VALID (continue producing line valid during vertical blanking). | 0x0 | N | 0 | W |
| Bit 10 Low-Power Mode—Context B | When READ mode context B is selected (bit 3, Reg0x0C8 = 1): 0: Full power, maximum readout speed. 1: Low power. Maximum readout frequency is now half of the master clock, and the pixel clock is automatically adjusted as described for the pixel clock speed register. | 0x1 | Y | YM | W |
| Bit 9 Show Border | This bit indicates whether to show the border enabled by bit 8. When bit 8 is 0, this bit has no meaning. When bit 8 is 1, this bit decides whether the border pixels should be treated as extra active pixels (1) or extra blanking pixels (0). | 0x1 | N | 0 | W |
| Bit 8 Over Sized | When this bit is set, a 4-pixel border is output around the active image array independent of readout mode (skip, zoom, mirror, etc.). Setting this bit therefore adds eight to the numbers of rows and columns in the frame. | 0x1 | Y | YM | W |
| Bits 7:6 | Reserved. | 0x0 | Y | YM | W |
| Bit 5 Column Skip 4x | 0: Normal readout. 1: READ out two columns, and then skip six columns (as with rows). | 0x0 | Y | YM | W |
| Bit 4 Row Skip 4x | 0: Normal readout. 1: READ out two rows, and then skip six rows (i.e., row 8, row 9, row 16, row 17...). | 0x0 | Y | YM | W |


Table 12: Sensor Core Register Descriptions (continued)

| BIT FIELD | DESCRIPTION | DEFAULT (HEX) | SYNC'D TO FRAME START | BAD FRAME | READ/ WRITE |
|--|--|---------------|-----------------------|-----------|-------------|
| Bit 3 Column Skip 2x — Context B | When READ mode context B is selected (bit 3, Reg0x0C8 = 1): 0: Normal readout. 1: READ out two columns, and then skip two columns (as with rows). | 0x0 | Y | YM | W |
| Bit 2 Row Skip 2x— Context B | When READ mode context B is selected (bit 3, Reg0x0C8 = 1): 0: Normal readout. 1: READ out two rows, then skip two rows (i.e., row 8, row 9, row 12, row 13...). | 0x0 | Y | YM | W |
| Bit 1 Mirror Columns | Read out columns from right to left (mirrored). When set, column readout starts from column (Col Start + Col Size) and continues down to (Col Start + 1). When clear, readout starts at Col Start and continues to (Col Start + Col Size - 1). This ensures that the starting color is maintained. | 0x0 | Y | YM | W |
| Bit 0 Mirror Rows | Read out rows from bottom to top (upside down). When set, row readout starts from row (Row Start + Row Size) and continues down to (Row Start + 1). When clear, readout starts at Row Start and continues to (Row Start + Row Size - 1). This ensures that the starting color is maintained. | 0x0 | Y | YM | W |
| R33:0—0x021 – Read Mode—Context A | | | | | |
| Bit 10 Low-Power Mode— Context A | When READ mode, context A is selected (bit 3, Reg0x0C8 = 0): 0: Full power, maximum readout speed. 1: Low power. Maximum readout frequency is now half of the master clock, and the pixel clock is automatically adjusted as described for the pixel clock speed register. | 0x1 | Y | YM | W |
| Bit 3 Column Skip 2x — Context A | When READ mode context A is selected (bit 3, Reg0x0C8 = 0): 0: Normal readout. 1: READ out two columns, and then skip two columns (as with rows). | 0x0 | Y | YM | W |
| Bit 2 Row Skip 2x— Context A | When READ mode context A is selected (bit 3, Reg0x0C8 = 0): 0: Normal readout. 1: READ out two rows, and then skip two rows (i.e., row 8, row 9, row 12, row 13...). | 0x0 | Y | YM | W |
| R35:0—0x023 – Flash Control | | | | | |
| Bit 15 Flash Strobe | READ only bit that indicates whether FLASH_STROBE is enabled. | 0x0 | 0 | 0 | R |
| Bit 14 | Reserved. | — | — | — | — |
| Bit 13 Xenon Flash | Enable Xenon flash. When set, the FLASH_STROBE output signal is pulsed HIGH for the programmed period during vertical blanking. This is achieved by keeping the integration time equal to one frame and the pulse width less than the vertical blanking time. | 0x0 | Y | N | W |
| Bits 12:11 Frame Delay | Delay of the flash pulse measured in frames. | 0x0 | N | N | W |
| Bit 10 End of Reset | 0: In Xenon mode, the flash should be enabled after the readout of a frame. 1: In Xenon mode, the flash should be triggered after the resetting of a frame. | 0x1 | N | N | W |


Table 12: Sensor Core Register Descriptions (continued)

| BIT FIELD | DESCRIPTION | DEFAULT (HEX) | SYNC'D TO FRAME START | BAD FRAME | READ/ WRITE |
|---------------------------------------|---|---------------|-----------------------|-----------|-------------|
| Bit 9 Every Frame | 0: Flash should be enabled for one frame only. 1: Flash should be enabled every frame. | 0x1 | N | N | W |
| Bit 8 LED Flash | Enables LED flash. When set, the FLASH_STROBE goes on prior to the start of a frame reset. When disabled, the FLASH_STROBE remains HIGH until readout of the current frame completes. | 0x0 | Y | Y | W |
| Bits 7:0 Xenon Count | Length of FLASH_STROBE pulse when Xenon flash is enabled. The value specifies the length in 1,024 master clock cycle increments. | 0x08 | N | N | W |
| R43:0—0x02B - Green1 Gain | | | | | |
| Bits 11:9 Digital Gain | Total gain = (Bit 9 + 1) x (Bit 10 + 1) (Bit 11 + 1) x analog gain (each bit gives 2x gain). | 0x0 | Y | N | W |
| Bits 8:7 Analog Gain | Analog gain = (Bit 8 + 1) x (Bit 7 + 1) x initial gain (each bit gives 2x gain). | 0x0 | Y | N | W |
| Bits 6:0 Initial Gain | Initial gain = bits (6:0) x 0.03125. | 0x20 | Y | N | W |
| R44:0—0x02C - Blue Gain | | | | | |
| Bits 11:9 Digital Gain | Total gain = (Bit 9 + 1) x (Bit 10 + 1) (Bit 11 + 1) x analog gain (each bit gives 2x gain). | 0x0 | Y | N | W |
| Bits 8:7 Analog Gain | Analog gain = (Bit 8 + 1) x (Bit 7 + 1) x initial gain (each bit gives 2x gain). | 0x0 | Y | N | W |
| Bits 6:0 Initial Gain | Initial gain = bits (6:0) x 0.03125. | 0x20 | Y | N | W |
| R45:0—0x02D - Red Gain | | | | | |
| Bits 11:9 Digital Gain | Total gain = (Bit 9 + 1) x (Bit 10 + 1) x (Bit 11 + 1) x analog gain (each bit gives 2x gain). | 0x0 | Y | N | W |
| Bits 8:7 Analog Gain | Analog gain = (Bit 8 + 1) x (Bit 7 + 1) x initial gain (each bit gives 2x gain). | 0x0 | Y | N | W |
| Bits 6:0 Initial Gain | Initial gain = bits (6:0) x 0.03125. | 0x20 | Y | N | W |
| R46:0—0x02E - Green2 Gain | | | | | |
| Bits 11:9 Digital Gain | Total gain = (Bit 9 + 1) x (Bit 10 + 1) x (Bit 11 + 1) x analog gain (each bit gives 2x gain). | 0x0 | Y | N | W |
| Bits 8:7 Analog Gain | Analog gain = (Bit 8 + 1) x (Bit 7 + 1) x initial gain (each bit gives 2x gain). | 0x0 | Y | N | W |
| Bits 6:0 Initial Gain | Initial gain = bits (6:0) x 0.03125. | 0x20 | Y | N | W |
| R47:0—0x02F - Global Gain | | | | | |
| Bits 11:0 Global Gain | This register can be used to set all four gains at once. When read, it returns the value stored in Reg0x2B. | 0x20 | Y | N | W |
| R200:0—0x0C8 - Context Control | | | | | |
| Bit 15 Restart | Setting this bit causes the sensor to abandon the current frame and start resetting the first row. Same physical register as Reg0x00D, bit 1. | 0x0 | N | YM | W |


Table 12: Sensor Core Register Descriptions (continued)

| BIT FIELD | DESCRIPTION | DEFAULT (HEX) | SYNC'D TO FRAME START | BAD FRAME | READ/ WRITE |
|--|---|---------------|-----------------------|-----------|-------------|
| Bit 7 Xenon Flash Enable | Enable Xenon flash. Same physical register as Reg0x023, bit 13. | 0x0 | Y | N | W |
| Bit 3 Read Mode Select | 0: Use READ mode, context A, Reg0x021. 1: Use READ mode, context B, Reg0x020. Note that bits found only in the READ mode context B register is always taken from that register. | 0x1 | Y | YM | W |
| Bit 2 LED Flash Enable | Enable LED flash. Same physical register as Reg0x023, bit 8. | 0x0 | Y | Y | W |
| Bit 1 Vertical Blanking Select | 0: Use vertical blanking, context A, Reg0x008. 1: Use vertical blanking, context B, Reg0x006. | 0x1 | Y | YM | W |
| Bit 0 Horizontal Blanking Select | 0: Use horizontal blanking, context A, Reg0x007. 1: Use horizontal blanking, context B, Reg0x005. | 0x1 | Y | YM | W |
| R240:0—0x0F0 - Page Map | | | | | |
| Bits 2:0 Page Map | Page mapping register. Must be kept at 0 to be able to WRITE to/READ from sensor. Used in the SOC to access other pages with registers. | 0x0 | N | 0 | W |
| R241:0—0x0F1 - Byte-Wise Address | | | | | |
| Bit 0 Byte-Wise Address | Special address to perform 8-bit (instead of 16-bit) READs and WRITEs to the sensor. For additional information, see "Two-Wire Serial Interface Sample" on page 54 and "Appendix A" on page 52. | N/A | 0 | 0 | 0 |
| R255:0—0x000 - Chip Version (R/O) | | | | | |
| Bits 15:0 | Hardwired READ only. | 0x1229 | | | R |



NOTE:

Notation used in the above table:**Sync'd to frame start**

0 = Not applicable, e.g., read-only register.

N = The register value is updated and used immediately.

Y = The register value is updated at next frame start as long as the synchronize-changes bit is 0. Note also that frame start is defined as when the first dark row is read out. By default, this is eight rows before FRAME_VALID goes HIGH.

Bad frame

A bad frame is a frame where all rows do not have the same integration time, or offsets to the pixel values changed during the frame.

0 = Not applicable, e.g., read-only register.

N = Changing the register value does not produce a bad frame.

Y = Changing the register value might produce a bad frame.

YM = Yes, but the bad frame is masked out unless the show-bad-frames feature is enabled.

Read / Write

R = read-only register/bit.

W = read / write register/bit.

Modes and Timing

This section provides an overview of typical usage modes for the MT9V112.

Contexts

The MT9V112 supports hardware-accelerated context switching. A number of parameters have two copies of their setup registers; this allows two “contexts” to be loaded at any given time. These are referred to as context A and context B. Context selection for any single parameter is determined by the global context control register (GCCR, see R200:2). There are copies of this register in each address page. A WRITE to any one of them has the identical effect. However, a READ from address page 0 only returns the subset bits of R200 that are specific to the sensor core.

Contexts are generically named because they can be utilized for a variety of purposes. One typical usage model is to define context A as viewfinder or preview mode and context B as snapshot mode. The device defaults are configured with this in mind. This mechanism enables the user to have settings for viewfinder and snapshot modes loaded at the same time, and then switch between them with a single WRITE to a register (e.g., R200:2).

Viewfinder/Preview and Full-Resolution/Snapshot Modes

No context switching is necessary in the sensor core because this is a single ADC device. Context switching occurs in the colorpipe stage.

Preview Mode

QVGA (320 x 240) images are generated at up to 30 fps. The reduced-size images are generated by a scaling down operation. The sensor always outputs a VGA size image to the colorpipe in both context A and context B.

Snapshot Mode

VGA (640 x 480) images are generated at up to 30 fps. This is typically selected by setting $R200:n[10] = 1$ selecting resize/zoom context B.

Switching Modes

Typically, switching to snapshot mode is achieved by writing $R200:2 = 0x9F0B$. This restarts the sensor and sets most contexts to context B. Following this

WRITE, a READ from R200:1 or R200:2 results in 0x1F0B being read. Note that the MSB is cleared automatically by the sensor. A READ from R200:0 results in 0x000B, as only the lower 4 bits and the restart MSB are implemented in the sensor core.

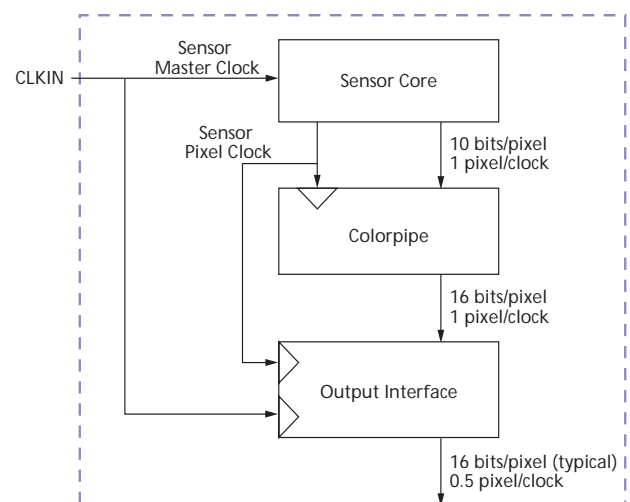
Clocks

The sensor core is a master in the system. The sensor core frame rate defines the overall image flow pipeline frame rate. Horizontal blanking and vertical blanking are influenced by the sensor configuration, and are also a function of certain image flow pipeline functions—particularly resize. The relationship of the primary clocks are depicted in Figure 9.

The image flow pipeline typically generates up to 16-bits per pixel—for example, YCbCr or RGB565—but has only an 8-bit port through which to communicate this pixel data. There is no phase-locked loop (PLL), so the primary input clock (CLKIN) must be twice the fundamental pixel rate (defined by the sensor pixel clock).

To generate VGA images at 30 fps, the sensor core requires a clock in the 24 MHz–27 MHz range. The device defaults assume a 24 MHz clock, and minimum clock frequency is 2 MHz.

Figure 9: Primary Sensor Core Clock Relationships





Turning Frame Rates

Actual frame rates can be tuned by adjusting various sensor parameters. The sensor registers are in address page 0, some of which are shown in Table 13.

Table 13: Register Address Functions

| REGISTER | FUNCTION |
|------------------|--|
| R0x04:0 | Column width, typically 640 in the MT9V112 |
| R0x03:0 | Row width, typically 480 in the MT9V112 |
| R0x07:0, R0x05:0 | Horizontal blanking, default is 203 (units of sensor pixel clocks) |
| R0x08:0, R0x06:0 | Vertical blanking, default is 11 (rows including black rows) |

Default Blanking Calculations

The MT9V112 default blanking calculations are shown in Table 14.

Table 14: Blanking Parameter Calculations

| PARAMETER | CALCULATION |
|---|--|
| PC_PERIOD Sensor Pixel Clock Period | $(2/24)\mu\text{s} = 0.083\mu\text{s}$ |
| A: Active Data Time (per line): R0 x 04:0 + 8 (border) * PC_PERIOD | $648 \times (2/24) = 53.784\mu\text{s}$ |
| Q: Horizontal Blanking: [R0 x 05:0 R0 x 07:0] * PC_PERIOD | $154 \times (2/24) = 12.782\mu\text{s}$ |
| Row Time = Q + A | $66.566\mu\text{s}$ |
| P: Frame Start / End Blanking: 6 * PC_PERIOD | $6 \times (2/24) = 0.5\mu\text{s}$ |
| V: Vertical Blanking: [R0 x 06:0 R0 x 08:0] * (Q + A) + (Q - 2 * P) | $(11 \times 66.566) + (12.782 - 1.0) = 744\mu\text{s}$ |
| F: Total Frame Time: (R0 x 03:0 + [R0 x 06:0 R00 x 08:0]) * (Q + A) | $(488 + 11) \times 66.566\mu\text{s} = 33216.434\mu\text{s} \geq 30 \text{ fps}$ |

In the MT9V112, the sensor core adds four border pixels all the way around the image, taking the active image size to 648 x 488 in full power mode. This is achieved through the default settings:

- oversize and show border bits are set by default
- oversize and show border bits are not context switchable, and therefore, their location is only in read mode context B.

User Blanking Calculations

When calculating blanking for different clock rates, minimum values for horizontal blanking and vertical blanking must be taken into account. Table 15 shows minimum values for each register.

Table 15: User Blanking Minimum Values

| PARAMETER | MINIMUM |
|---------------------|---------------------------|
| Horizontal Blanking | 132 (sensor pixel clocks) |
| Vertical Blanking | 6 + Reg0x22:0[2:0] rows |

Output Timing

Figure 10: Vertical Timing

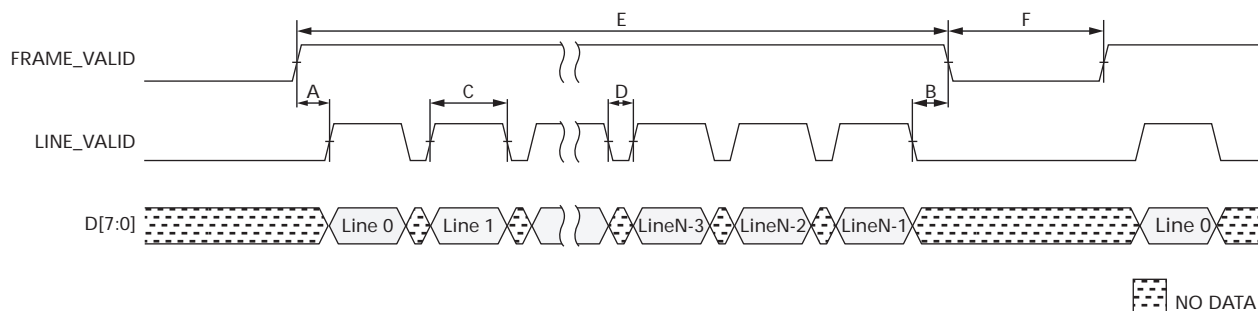
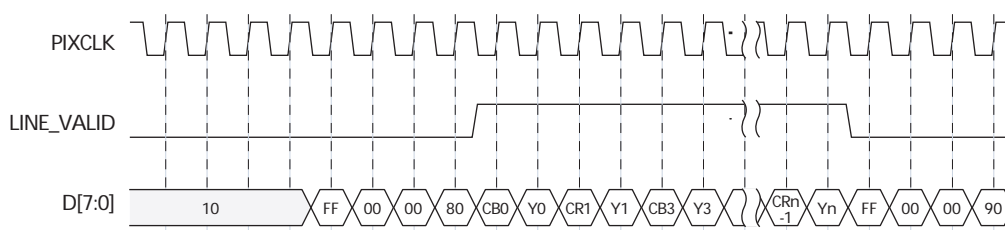


Figure 11: Horizontal Timing



Typical Resolutions, Modes, and Timing

The parameters listed in Table 16 are illustrated in a waveform diagram, Figure 10. Table 21 on page 50 provides values for these parameters in some common resolutions and operating modes.

Table 16: Blanking Definitions

| DESIGNATION | DEFINITION |
|-------------|---|
| (A) | FRAME_VALID (rising edge) to LINE_VALID (rising edge) delay |
| (B) | LINE_VALID (falling edge) to FRAME_VALID (falling edge) delay |
| (C) | LINE_VALID (HIGH/valid) time |
| (D) | LINE_VALID (LOW/horizontal blanking) time |
| (E) | FRAME_VALID (HIGH/valid) time |
| (F) | FRAME_VALID (LOW/vertical blanking) time |



Reset, Clocks, and Standby

Reset

Power-up reset is asserted/de-asserted on RESET#. It is active LOW. In this reset state, all control registers have the default values.

Soft reset is asserted/de-asserted by the two-wire serial interface program. In soft-reset mode, the two-wire serial interface and register ring bus are still running. All control registers are reset using default values. See R13:0.

Clocks

The MT9V112 has two primary clocks; a master clock coming from the CLKIN signal, and a pixel clock via a clock-gated operation running at half frequency of the master clock. All device clocks are turned off in power-down mode. When the MT9V112 operates in sensor stand-alone mode, the image flow pipeline clocks can be shut off to conserve power. See R13:0 on page 38.

When the MT9V112 is operated with the MT9M111 in a dual-camera application, the MT9V112 employs a divide-by-two clock option, allowing a 54 MHz input to the master clock. For more information about this feature, see the R13:0 register description on page 38 in Table 12.

Standby

STANDBY is a multifunctional signal that controls power-down, device addressing, and tri-state functions. Table 17 shows how STANDBY affects the output signal state.

Hard standby is asserted/de-asserted on STANDBY. It is active HIGH. In this hard standby state, all internal clocks are turned off and the analog block is in standby mode to save power consumption. The signal state is High-Z when R13[4] = 0 and R13[6] = 0.

Two-wire interface ID addressing is based on the result of SADDR XOR R13:0[10]. (The R13:0[10] default is "0".) The R13:0[10] bit is not writable when STANDBY is asserted "1."

Soft standby is asserted/de-asserted by a two-wire serial interface to R13:0[2]. In soft standby, all internal clocks are turned off, the analog block is in standby mode, but the signal state is not affected. Following the assertion of either hard or soft standby, the analog circuitry completes reading the current row and then enters the standby state. It is necessary to keep clocking the sensor for an entire row time to ensure proper entry into the standby state.

Table 17: STANDBY Effect on the Output State

| DRIVE SIGNAL R13:0[6] | OUTPUT DISABLE R13:0[4] | STANDBY | OUTPUT STATE |
|-----------------------|-------------------------|---------|--------------|
| 0 | 0 | 0 | Driven |
| 0 | 0 | 1 | High-Z |
| 1 | 0 | x | Driven |
| x | 1 | x | High-Z |



Electrical Specifications

Table 18: Electrical Characteristics and Operating Conditions
 $T_A = \text{Ambient} = 25^\circ\text{C}$

| PARAMETER | CONDITION | MIN | TYP | MAX | UNIT |
|--------------------------------------|----------------------|-----|-----|-----|------------------|
| I/O Digital Voltage (V_{DDQ}) | N/A | 1.7 | | 3.6 | V |
| Core Digital Voltage (V_{DD}) | N/A | 1.7 | 1.8 | 1.9 | V |
| | | 2.5 | 2.8 | 3.1 | |
| Analog Voltage (V_{AA}) | N/A | 2.5 | 2.8 | 3.1 | V |
| Pixel Supply Voltage (V_{AAPIX}) | | 2.5 | 2.8 | 3.1 | V |
| Leakage Current | STANDBY, no clocks | | | 10 | μA |
| Operating Temperature | Measured at junction | -30 | | +70 | $^\circ\text{C}$ |

NOTE:

V_{DD} , V_{AA} , and V_{AAPIX} must all be at the same potential to avoid excessive current draw. Care must be taken to avoid excessive noise injection in the analog supplies if all three supplies are tied together.


Table 19: I/O Parameters

| SIGNAL | PARAMETER | DEFINITIONS | CONDITION | MIN | TYP | MAX | UNIT |
|-------------------------|----------------------------------|------------------------|-------------------------|-----|------|-----|------|
| All Outputs | | Load capacitance | | TBD | | TBD | pF |
| | | Output signal slew | 2.8V, 30pF load | TBD | 0.72 | TBD | V/ns |
| | | | 2.8V, 5pF load | TBD | 1.25 | TBD | V/ns |
| | | | 1.8V, 30pF load | TBD | 0.34 | TBD | V/ns |
| | | | 1.8V, 5pF load | TBD | 0.51 | TBD | V/ns |
| | VOH | Output high voltage | | TBD | | TBD | V |
| | VOL | Output low voltage | | TBD | | TBD | V |
| | IOH | Output high current | VDDQ = 2.8V, VOH = 2.4V | TBD | | TBD | mA |
| | | | VDDQ = 1.8V, VOH = 1.4V | TBD | | TBD | mA |
| | IOL | Output low current | VDDQ = 2.8V, VOL = 0.4V | TBD | | TBD | mA |
| VDDQ = 1.8V, VOL = 0.4V | | | TBD | | TBD | mA | |
| IOZ | Tri-state output leakage current | | TBD | | TBD | | |
| All Inputs | VIH | Input high voltage | VDDQ = 2.8V | TBD | | TBD | V |
| | | | VDDQ = 1.8V | TBD | | TBD | V |
| | VIL | Input low voltage | VDDQ = 2.8V | TBD | | TBD | V |
| | | | VDDQ = 1.8V | TBD | | TBD | V |
| | IIN | Input leakage current | | TBD | | TBD | |
| Signal CAP | Input signal capacitance | | TBD | | TBD | pF | |
| CLKIN | freq | Master clock frequency | Absolute minimum | 2 | | | MHz |
| | | | VGA at 30 fps | 24 | | 27 | MHz |

Power Consumption

Table 20: Power Consumption

| MODE | SENSOR/mW | IMAGE-FLOW PROC/mW | I/OS (10pF)/mW | TOTAL M/mW |
|---------------|-----------|--------------------|----------------|------------|
| VGA at 15 fps | 54 | 18 | 4 | 76 |



I/O Timing

By default, the MT9V112 launches pixel data, FRAME_VALID, and LINE_VALID synchronously with the falling edge of PIXCLK. The expectation is that the user captures data, FRAME_VALID, and LINE_VALID

using the rising edge of PIXCLK. The timing diagram is shown in Figure 12. As an option, the polarity of the PIXCLK can be inverted from the default. This is achieved by programming R58:1[9] or R155:1[9] to "0."

Figure 12: I/O Timing

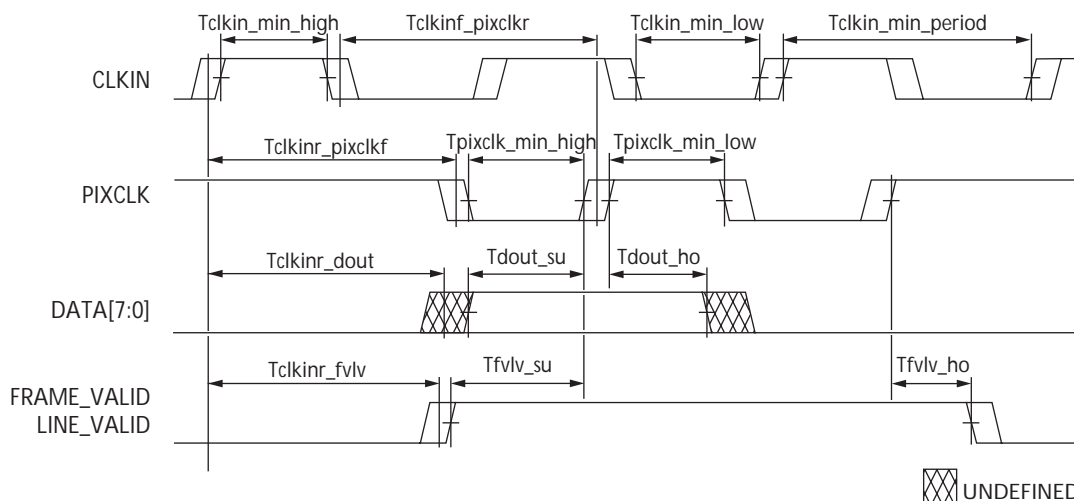


Table 21: I/O Timing

| SIGNAL | PARAMETER | CONDITIONS | SLOW | | FAST | | UNIT |
|----------------------------|------------------|---------------------|------|-----|------|-----|------|
| | | | MIN | MAX | MIN | MAX | |
| CLKIN | Tclk_min_high | | TBD | TBD | TBD | TBD | ns |
| | Tclk_min_low | | TBD | TBD | TBD | TBD | ns |
| | Tclk_min_period | | TBD | TBD | TBD | TBD | ns |
| PIXCLK | Tclkir_pixclkf | | TBD | TBD | TBD | TBD | ns |
| | Tclkif_pixclkfr | | TBD | TBD | TBD | TBD | ns |
| | Tpixclk_min_low | 50:50, 27 MHz CLKIN | TBD | TBD | TBD | TBD | ns |
| | Tpixclk_min_high | 50:50, 27 MHz CLKIN | TBD | TBD | TBD | TBD | ns |
| DATA[7:0] | Tclkir_dout | | TBD | TBD | TBD | TBD | ns |
| | Tdout_su | 50:50, 27 MHz CLKIN | TBD | TBD | TBD | TBD | ns |
| | Tdout_ho | 50:50, 27 MHz CLKIN | TBD | TBD | TBD | TBD | ns |
| FRAME_VALID/ LINE_VALID | Tclkir_fvlv | | TBD | TBD | TBD | TBD | ns |
| | Tfvlv_su | 50:50, 27 MHz CLKIN | TBD | TBD | TBD | TBD | ns |
| | Tfvlv_ho | 50:50, 27 MHz CLKIN | TBD | TBD | TBD | TBD | ns |

Figure 13: Typical Spectral Characteristics (preliminary)

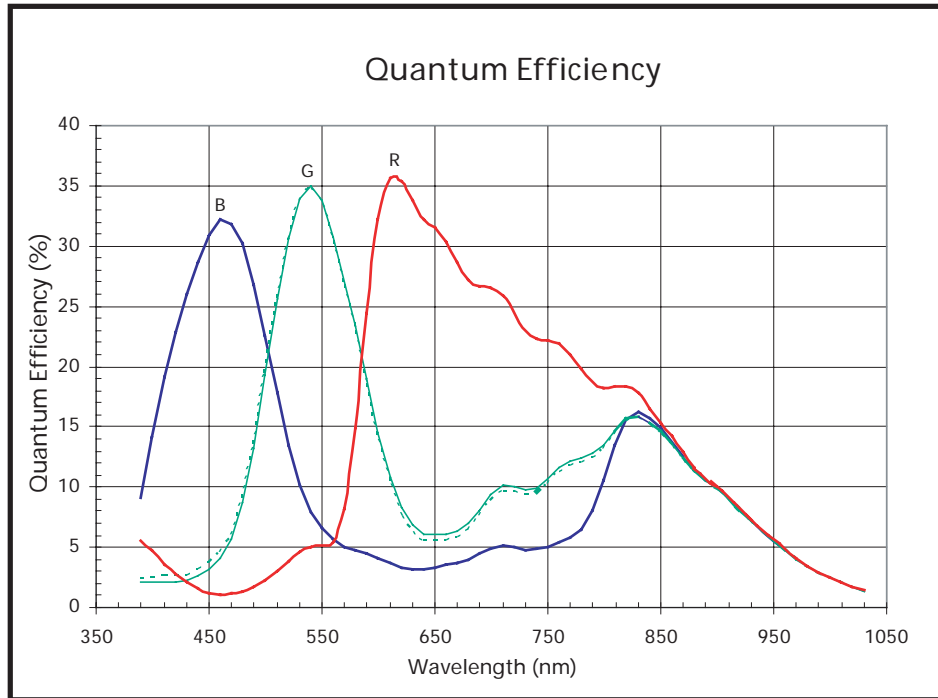
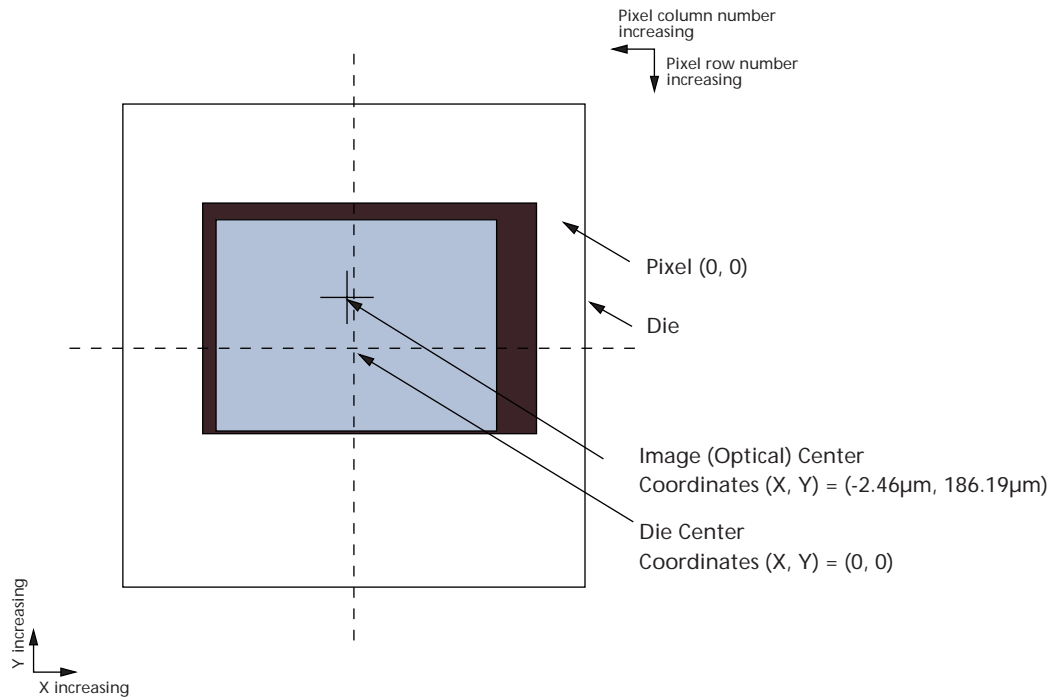


Figure 14: Image Center Offset



NOTE:
Figure not to scale.



Appendix A

Serial Bus Description

Registers are written to and read from the MT9V112 through the two-wire serial interface bus. The sensor is a serial interface slave controlled by the serial clock (SCLK), which is driven by the serial interface master. Data is transferred in and out of the MT9V112 through the serial data (SDATA) line. The SDATA line is pulled up to VDDQ off-chip by a 1.5KΩ resistor. Either the slave or the master device can pull the SDATA line down—the serial interface protocol determines which device is allowed to pull the SDATA line down at any given time.

Protocol

The two-wire serial interface defines several different transmission codes, as follows:

- a start bit
- a(an) (no) acknowledge bit
- an 8-bit message
- a stop bit
- the slave device 8-bit address

SADDR and R13:0[10] are used to select between two different addresses in case of conflict with another device. If SADDR XOR R13:0[10] is LOW, the slave address is 0x90; if SADDR XOR R13:0[10] is HIGH, the slave address is 0xBA. See Table 22.

Table 22: Two-Wire Interface ID Address Switching

| SADDR | R13:0[10] | TWO-WIRE INTERFACE ADDRESS ID |
|-------|-----------|-------------------------------|
| 0 | 0 | 0x90 |
| 0 | 1 | 0xBA |
| 1 | 0 | 0xBA |
| 1 | 1 | 0x90 |

Sequence

A typical read or write sequence begins with the master sending a start bit. After the start bit, the master sends the 8-bit slave device address. The last bit of the address determines if the request is a READ or a WRITE, where a “0” indicates a WRITE and a “1” indicates a READ. The slave device acknowledges its address by sending an acknowledge bit back to the master.

If the request was a write, the master transfers the 8-bit register address for where a write should take place. The slave sends an acknowledge bit to indicate that the

register address has been received. The master then transfers the data, 8 bits at a time, with the slave sending an acknowledge bit after each eight bits.

The MT9V112 uses 16-bit data for its internal registers, thus requiring two 8-bit transfers to write to one register. After 16 bits are transferred, the register address is automatically incremented, so that the next 16 bits are written to the next register address. The master stops writing by sending a start or stop bit.

A typical read sequence is executed as follows. The master sends the write mode slave address and 8-bit register address, just as in the write request. The master then sends a start bit and the read mode slave address. The master clocks out the register data, eight bits at a time, and sends an acknowledge bit after each 8-bit transfer. The register address is auto-incremented after every 16 bits is transferred. The data transfer is stopped when the master sends a no-acknowledge bit.

Bus Idle State

The bus is idle when both the data and clock lines are HIGH. Control of the bus is initiated with a start bit, and the bus is released with a stop bit. Only the master can generate the start and stop bits.

Start Bit

The start bit is defined as a HIGH-to-LOW transition of the data line while the clock line is HIGH.

Stop Bit

The stop bit is defined as a LOW-to-HIGH transition of the data line while the clock line is HIGH.

Slave Address

The 8-bit address of a two-wire serial interface device consists of 7 bits of address and 1 bit of direction. A “0” in the LSB of the address indicates write mode, and a “1” indicates read mode. The write address of the sensor is 0xBA; the read address is 0xBB. This applies only when the SADDR is set HIGH.

Data Bit Transfer

One data bit is transferred during each clock pulse. The serial interface clock pulse is provided by the master. The data must be stable during the HIGH period of the two-wire serial interface clock—it can only change when the serial clock is LOW. Data is transferred 8 bits at a time, followed by an acknowledge bit.

***Acknowledge Bit***

The master generates the acknowledge clock pulse. The transmitter (which is the master when writing, or the slave when reading) releases the data line, and the receiver signals an acknowledge bit by pulling the data line LOW during the acknowledge clock pulse.

No-Acknowledge Bit

The no-acknowledge bit is generated when the data line is not pulled down by the receiver during the acknowledge clock pulse. A no-acknowledge bit is used to terminate a read sequence.



Two-Wire Serial Interface Sample

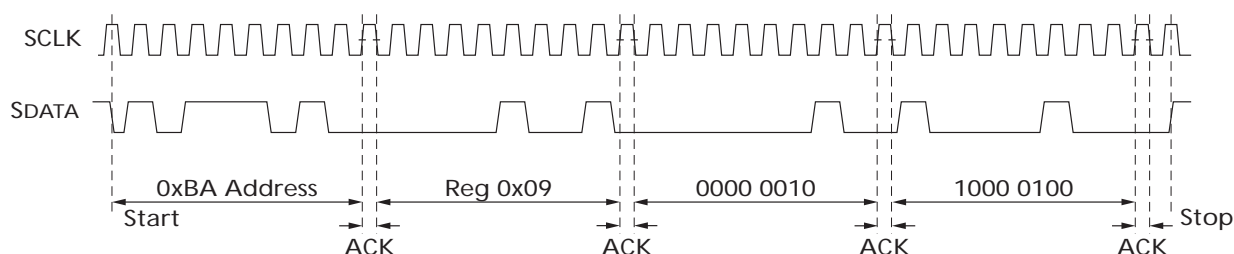
Write and read sequences (SADDR = 1).

16-Bit Write Sequence

A typical write sequence for writing 16 bits to a register is shown in Figure 15. A start bit sent by the master starts the sequence, followed by the write address. The image sensor sends an acknowledge bit and

expects the register address to come first, followed by the 16-bit data. After each 8-bit transfer, the image sensor sends an acknowledge bit. All 16 bits must be written before the register is updated. After 16 bits are transferred, the register address is automatically incremented so that the next 16 bits are written to the next register. The master stops writing by sending a start or stop bit.

Figure 15: WRITE Timing to R0x09:0—Value 0x0284

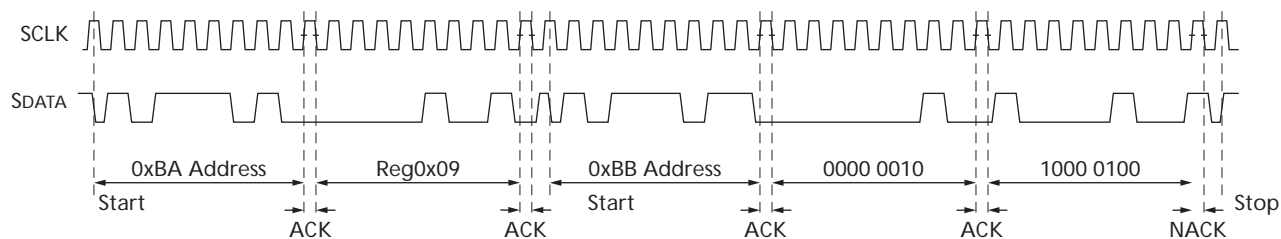


16-Bit Read Sequence

A typical read sequence is shown in Figure 16. The master WRITES the register address, as in a write sequence. Then a start bit and the read address specify that a read is about to occur from the register. The master then clocks out the register data, 8 bits at a

time. The master sends an acknowledge bit after each 8-bit transfer. The register address should be incremented after every 16 bits is transferred. The data transfer is stopped when the master sends a no-acknowledge bit.

Figure 16: READ Timing from R0x09:0; Returned Value 0x0284



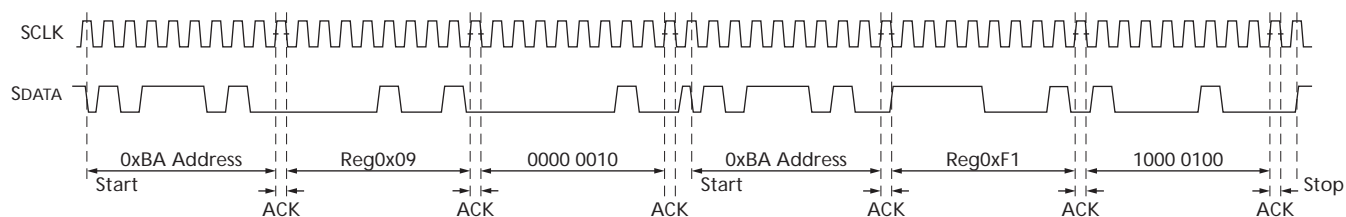


8-Bit Write Sequence

To be able to write one byte at a time to the register, a special register address is added. The 8-bit write is started by writing the upper 8 bits to the desired register, then writing the lower 8 bits to the special register

address (R0xF1:0). The register is not updated until all 16 bits have been written. It is not possible to update just half of a register. In Figure 17, a typical sequence for an 8-bit WRITE is shown. The second byte is written to the special register (R0xF1:0).

Figure 17: WRITE Timing to R0x09:0—Value 0x0284

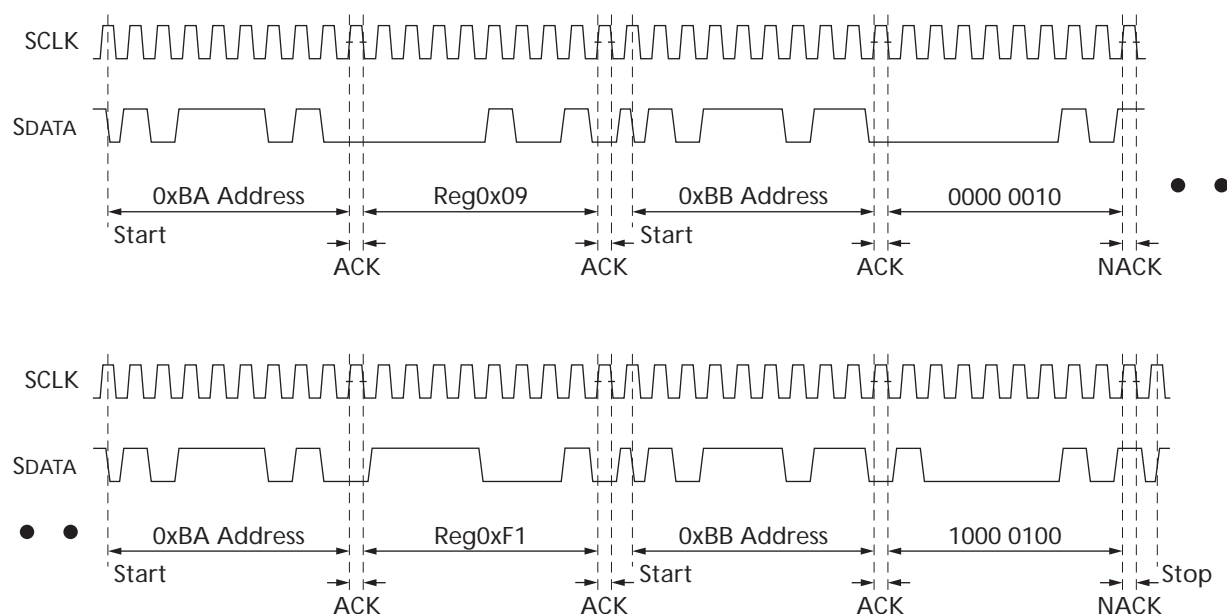


8-Bit READ Sequence

To read one byte at a time, the same special register address is used for the lower byte. The upper 8 bits are read from the desired register. By following this with a

read from the special register (R0xF1:0), the lower 8 bits are accessed (Figure 18). The master sets the no-acknowledge bits.

Figure 18: READ Timing from R0x09:0; Returned Value 0x0284



Two-wire Serial Bus Timing

The two-wire serial interface operation requires a certain minimum of master clock cycles between transitions. These are specified below in master clock cycles.

Figure 19: Serial Host Interface Start Condition Timing

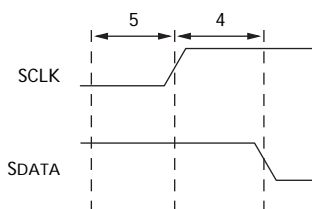
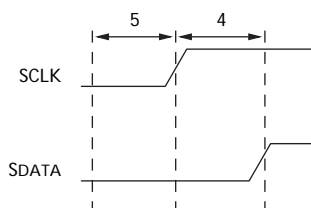


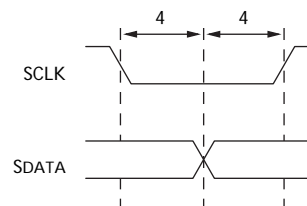
Figure 20: Serial Host Interface Stop Condition Timing



NOTE:

All timing are in units of master clock cycle.

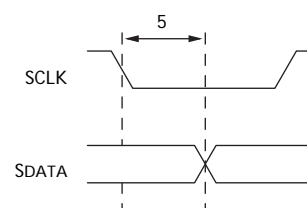
Figure 21: Serial Host Interface Data Timing for Write



NOTE:

SDATA is driven by an off-chip transmitter.

Figure 22: Serial Host Interface Data Timing for Read



NOTE:

SDATA is pulled LOW by the sensor, or allowed to be pulled HIGH by a pull-up resistor off-chip.

Figure 23: Acknowledge Signal Timing After an 8-bit Write to the Sensor

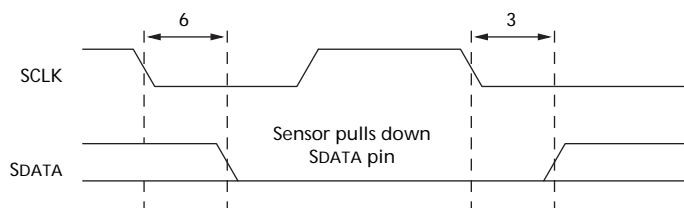
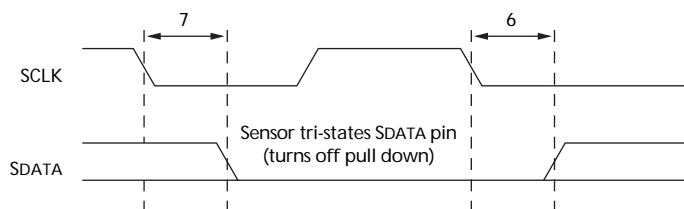
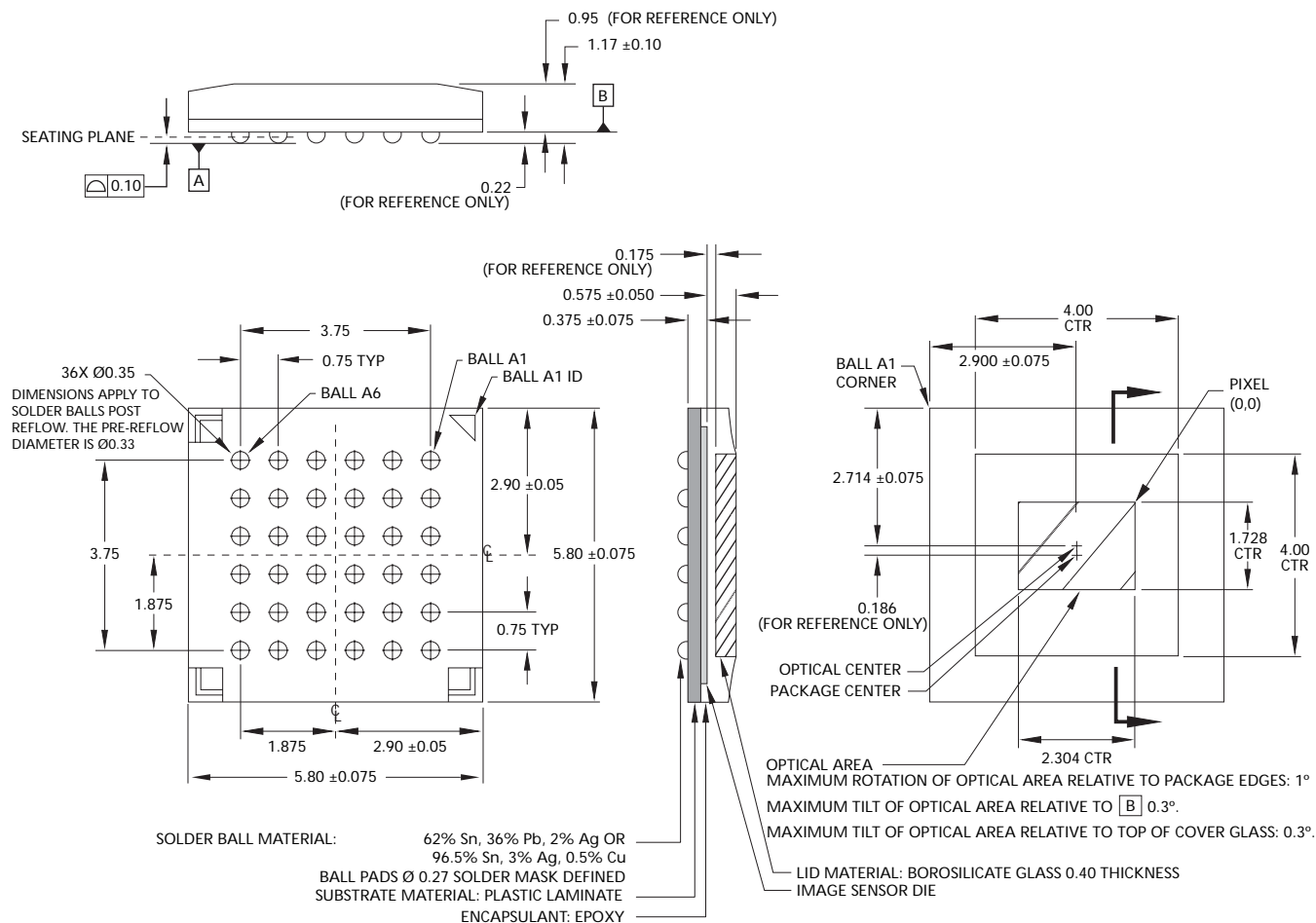


Figure 24: Acknowledge Signal Timing After an 8-bit Read from the Sensor



NOTE:

After a read, the master receiver must pull down SDATA to acknowledge receipt of data bits. When read sequence is complete, the master must generate a no acknowledge by leaving SDATA to float HIGH. On the following cycle, a start or stop bit may be used.


Figure 25: 36-Ball ICSP Package


NOTE:

All dimensions in millimeters.

Data Sheet Designation

Preliminary This data sheet contains initial characterization limits that are subject to change upon full characterization of production devices.



8000 S. Federal Way, P.O. Box 6, Boise, ID 83707-0006, Tel: 208-368-3900

E-mail: prodmktg@micron.com, Internet: <http://www.micron.com>, Customer Comment Line: 800-932-4992

Micron, the M logo, and the Micron logo are trademarks of Micron Technology, Inc.

All other trademarks are the property of their respective owners.



Revision History

- Original Document, Rev A, Preliminary 11/04