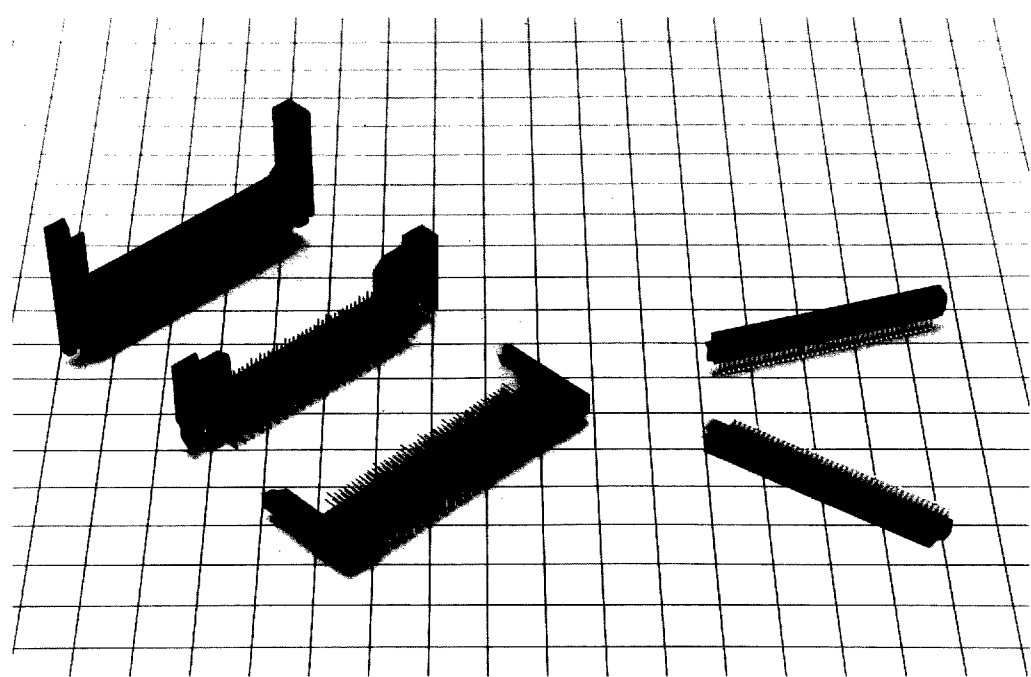


# HRS IC5 SERIES

## COMPLIES WITH DRAM CARD VER. 1.0/JEIDA STANDARD AND PCMCIA 2.0

### ■ GENERAL

The IC5 Series connectors comply with DRAM card Ver. 1.0 of JEIDA Standards and PCMCIA 2.0 standards.



### ■ FEATURES

- 1. Clamp type surface mount socket connector (card side).
- 2. Socket connectors available in 2.75 and 2.85 mm in thickness.
- 3. Pin connectors available in three different thicknesses for various applications.
- 4. IC5A pin connectors are reverse type, designed to insert the card on the back of the board.

### ■ APPLICATIONS

For DRAM cards to be used as main and extension memories in personal computers, etc.

▷ 01F ■ 4493237 0003256 773 ■

## ■ MATERIAL/FINISH

Item	Material	Finish	
Insulator	Pin connector	PBT resin (Note 1)	Black
	Socket connector	PPS resin (Note 2)	Black
Terminal	Pin connector	Brass	Part gold-plated
	Socket connector	Beryllium copper	Part gold-plated

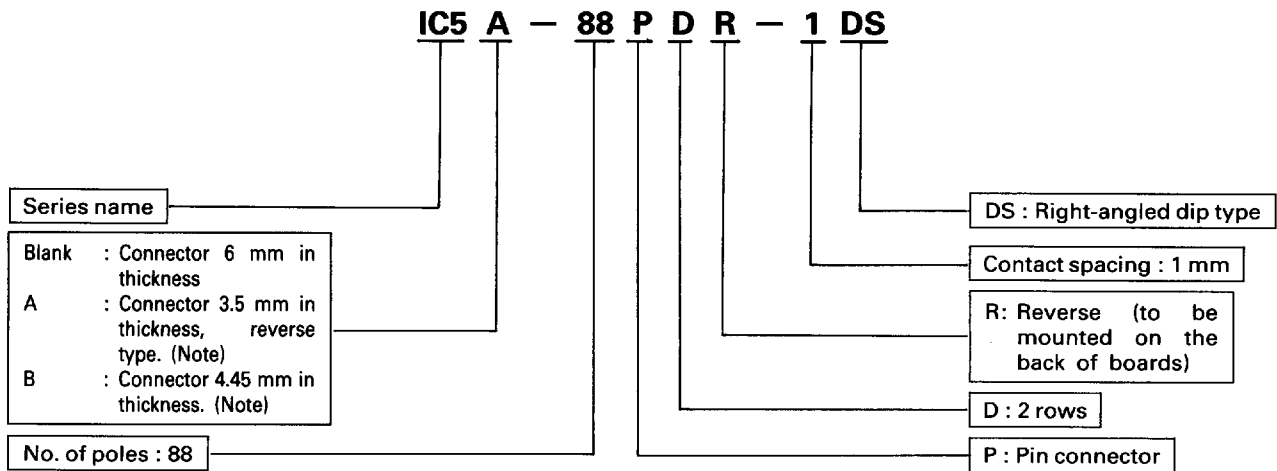
Note 1: PBT resin = Polybutylene terephthalate resin (UL94V-0)  
 Note 2: PPS resin = Polyphenylene sulfide resin (UL94V-0)

## ■ ELECTRICAL SPECIFICATIONS

Item	Condition	Standard
Rated current	Per pin	0.5 A
Withstanding voltage	Rated voltage for 1 min.	500 VAC
Insulation resistance	At 500 VDC	1000 MΩ or more
Contact resistance	At 1 mA DC	40 mΩ or less

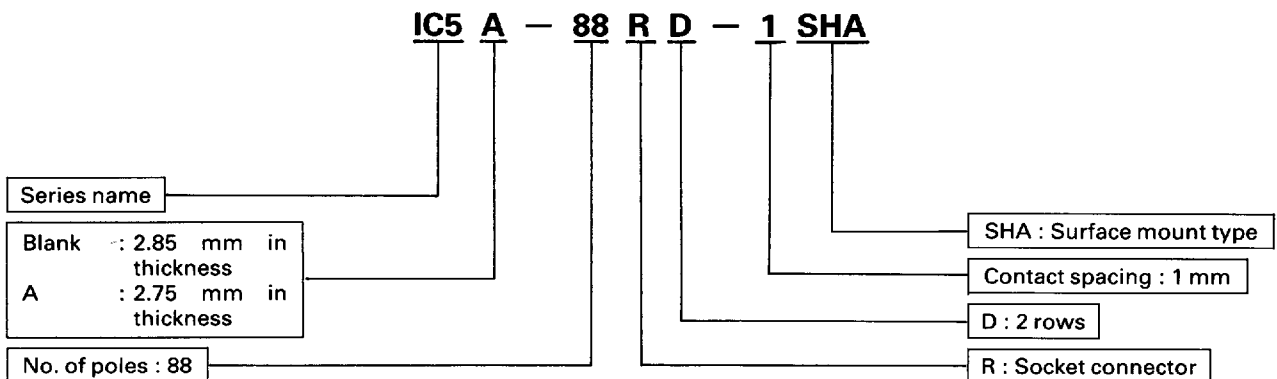
## ■ EXPLANATION OF PRODUCT NUMBERS

### ● Pin connector



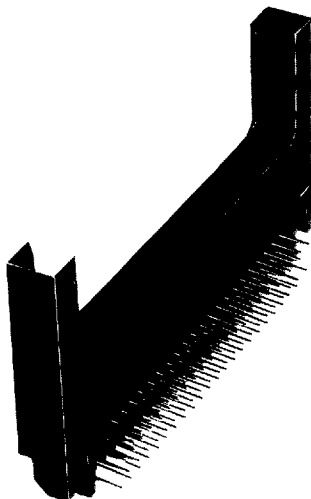
(Note) Guides are needed in addition to connectors.

### ● Socket connector

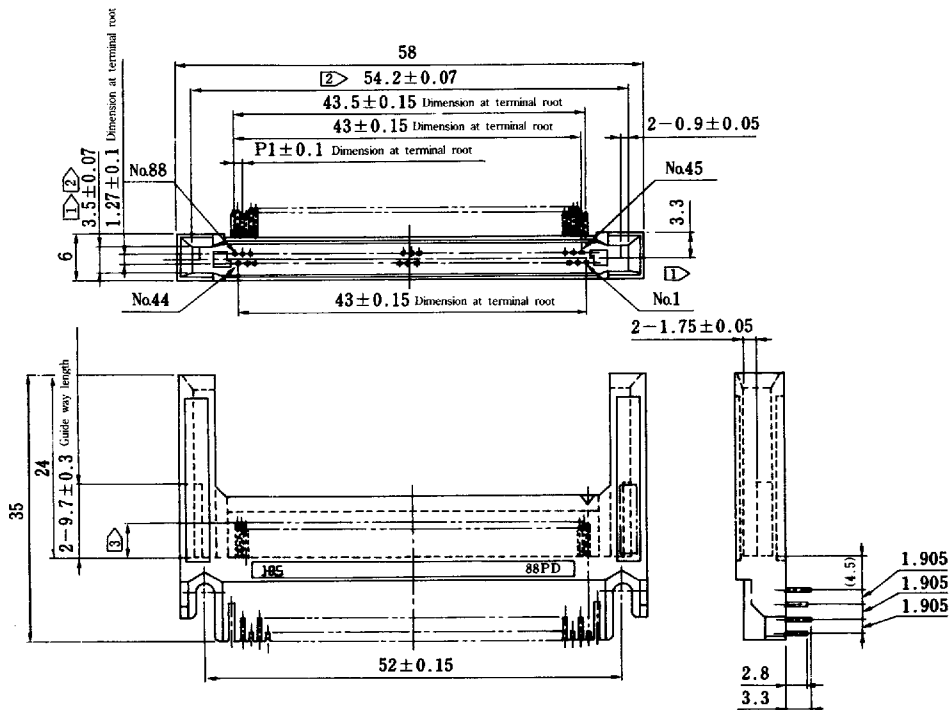


# 88-CONTACT PIN CONNECTORS

● Connectors 6 mm in thickness



IC5-88PD-1DS  
CL640-0201-0



- Note
- ①  $\phi$  shows the center line of the  $3.5 \pm 0.07$ .
  - ② The dimensions specify the sizes of the connector at 0 to 10 mm from the bottom.
  - ③ See Table 1 for the length of terminals on the mating side.

Table 1

Terminal No.	Terminal length
1, 9, 11, 15 17, 25, 27, 35 37, 44, 45, 56 63, 67, 73, 88	$4.6 \pm 0.2$
other than above	$3.8 \pm 0.2$

## ◆ PC board dimensions (part side)

