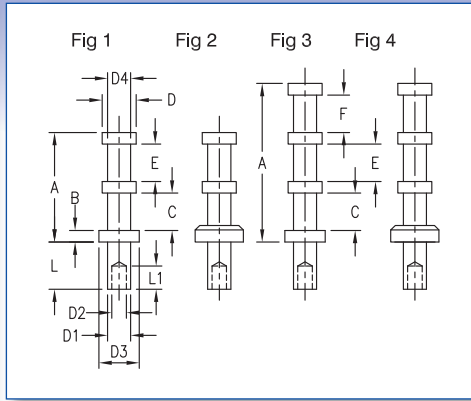
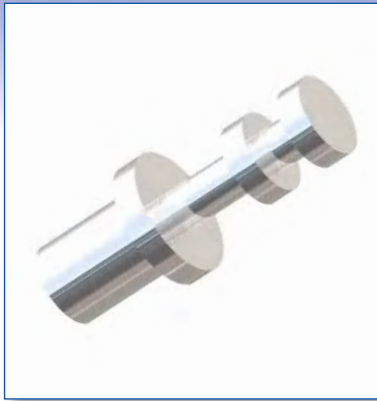


SOLDER TERMINALS - TURRET



Dimensions in inches (mm)
See page 92/93 for recommended
Anvil and Punch

How to order code

160 - XXXX - XX - XX - 00

Basic Part No. Finish

Material Code Table		
Component	Material	RoHS
Terminal	Brass	✓

Finish Code Table		
Dash No.	Finish	RoHS
-01	Silver	✓
-03	Gold over Nickel	✓
-04	Electro-Tin	✓
-05	Electro-Solder	X

Fig.	Basic Part No.	L	Board Thickness	A	B	C	D	D1	D2	D3	D4	E	F	L1	Mtg. Hole Diameter	
1	160-3653 -11	.037 (0.94)	.016 (0.40)	.156 (3.96)	.020 (0.51)	.065 (1.65)	.062 (1.57)	.062 (1.57)	.046 (1.17)	.094 (2.39)	.031 (0.79)	.031 (0.79)	-	.025 (0.64)	.067 (1.70)	
	-01	.053 (1.35)	.031 (0.79)											.045 (1.14)		
	-02	.084 (2.13)	.062 (1.57)													
	-03	.115 (2.92)	.094 (2.39)													
	-04	.147 (3.73)	.125 (3.18)													
	160-1558 -01	.078 (1.98)	.031 (0.79)	.219 (5.56)	.023 (0.58)	.093 (2.36)	.093 (2.36)	.090 (2.29)	.064 (1.63)	.125 (3.18)	.046 (1.17)	.063 (1.60)	.063 (1.60)	-	.047 (1.19)	.093 (2.37)
	-02	.109 (2.77)	.062 (1.57)												.062 (1.57)	
	-03	.141 (3.58)	.094 (2.39)													
	-04	.172 (4.37)	.125 (3.18)													
	160-1597 -01	.063 (1.60)	.031 (0.79)	.219 (5.56)	.023 (0.58)	.093 (2.36)	.093 (2.36)	.090 (2.29)	.064 (1.63)	.125 (3.18)	.046 (1.17)	.063 (1.60)	.063 (1.60)	-	.047 (1.19)	.093 (2.37)
	-02	.094 (2.39)	.062 (1.57)												.062 (1.57)	
	-03	.125 (3.18)	.094 (2.39)													
	-04	.156 (3.96)	.125 (3.18)													
	160-1026 -01	.075 (1.91)	.031 (0.79)	.237 (6.02)	.042 (1.07)	.092 (2.34)	.094 (2.39)	.090 (2.29)	.064 (1.63)	.125 (3.18)	.047 (1.19)	.063 (1.60)	.063 (1.60)	-	.062 (1.57)	.093 (2.37)
	-02	.105 (2.67)	.062 (1.57)													
	-03	.135 (3.43)	.094 (2.39)													
	-04	.165 (4.19)	.125 (3.18)													
	160-2034 -01	.078 (1.98)	.031 (0.79)	.281 (7.14)	.032 (0.81)	.105 (2.67)	.109 (2.77)	.090 (2.29)	.064 (1.63)	.156 (3.96)	.053 (1.35)	.100 (2.54)	.100 (2.54)	-	.063 (1.60)	.093 (2.37)
	-02	.109 (2.77)	.062 (1.57)												.093 (2.36)	
	-03	.141 (3.58)	.094 (2.39)													
	-04	.172 (4.37)	.125 (3.18)													
	160-2110 -02	.109 (2.77)	.062 (1.57)	.500 (12.70)	.062 (1.57)	.211 (5.36)	.200 (5.08)	.262 (6.65)	.201 (5.11)	.312 (7.92)	.125 (3.18)	.156 (3.96)	.156 (3.96)	-	.066 (1.68)	.266 (6.75)
	-03	.140 (3.56)	.094 (2.39)													
	-04	.172 (4.37)	.125 (3.18)													
2	160-1724 -01	.078 (1.98)	.031 (0.79)	.359 (9.12)	.047 (1.19)	.151 (3.84)	.142 (3.61)	.112 (2.84)	.076 (1.93)	.188 (4.78)	.065 (1.65)	.099 (2.51)	.099 (2.51)	-	.068 (1.73)	.116 (2.95)
	-02	.109 (2.77)	.062 (1.57)											.098 (2.49)		
	-03	.141 (3.58)	.094 (2.39)													
	-04	.172 (4.37)	.125 (3.18)													
3	160-1058 -01	.075 (1.91)	.031 (0.79)	.340 (8.64)	.047 (1.19)	.094 (2.39)	.094 (2.39)	.089 (2.26)	.064 (1.63)	.125 (3.18)	.050 (1.27)	.062 (1.57)	.062 (1.57)	.047 (1.19)	.089 (2.26)	
	-02	.105 (2.67)	.062 (1.57)											.062 (1.57)		
	-03	.135 (3.43)	.094 (2.39)													
	-04	.165 (4.19)	.125 (3.18)													
	160-2080 -01	.063 (1.60)	.031 (0.79)	.301 (7.65)	.023 (0.58)	.092 (2.34)	.093 (2.36)	.090 (2.29)	.064 (1.63)	.125 (3.18)	.046 (1.17)	.063 (1.60)	.063 (1.60)	.047 (1.19)	.093 (2.37)	
	-02	.094 (2.39)	.062 (1.57)											.062 (1.57)		
	-03	.125 (3.18)	.094 (2.39)													
	-04	.156 (3.96)	.125 (3.18)													
4	160-2084 -01	.078 (1.98)	.031 (0.79)	.484 (12.29)	.047 (1.19)	.151 (3.84)	.145 (3.68)	.112 (2.84)	.076 (1.93)	.188 (4.78)	.065 (1.65)	.099 (2.51)	.094 (2.39)	.068 (1.73)	.116 (2.95)	
	-02	.109 (2.77)	.062 (1.57)											.098 (2.49)		
	-03	.141 (3.58)	.094 (2.39)													
	-04	.172 (4.37)	.125 (3.18)													