

INTRODUCTION:

Adam Tech TB and TD Series Terminal Blocks are among the most widely used and convenient devices for terminating wires. They are extremely versatile and have a very low applied cost. Their use speeds assembly by eliminating time consuming splicing while providing increased insulation to protect against leakage and short circuits. Our TB Series is made from flexible thermal plastic which resists cracks or breaks and our TD Series features double rows of phenolic for high current applications.

FEATURES:

- Choice of feed through, printed circuit or surface connection types
- Broad wire ranges up to 14 AWG
- Molded in standoffs
- Wide range of footprints
- Many hardware options to speed assembly time and improve connections

SPECIFICATIONS:

Material:

TB Series Insulator: Polybutylene Terephthalate (PBT), glass reinforced thermoplastic, Rated UL 94V-0

TD Series Insulator: Glass filled phenolic, Rated UL 94V-0

Terminals: Brass, tin plated

Screws: Steel, nickel plated

Hardware: Brass, tin plated

Electrical:

Operation voltage: 250 VAC max

Insulation resistance: 5000 MΩ min @ 1000 VDC between adjacent contacts (75°F and 50% R.H.)

Dielectric withstanding voltage: 1000 VAC min rms (sea level)

Current rating: TBA/TBB : 10 AMPS

TBC/TBD/TBE/TBF/TBG : 15 AMPS

TDA : 10 AMPS

TDB : 20 AMPS

TDC : 30 AMPS

Mechanical:

Wire Range: TBA/TBB : 22 - 18 AWG

TBC/TBE : 18 - 14 AWG

TBD : 22 - 16 AWG

TBF/TBG : 22 - 14 AWG

Environmental:

Operating temperature: -65°C to + 125°C

HARDWARE OPTIONS: Page 22

PACKAGING:

Anti-static plastic bags

APPROVALS AND CERTIFICATIONS:

Recognized under the component program of Underwriters Laboratories, Inc. No. E130225

Certified by Canadian Standards Association No. LR700747

Verband Deutscher Elektrotechniker (VDE) APL42393



ORDERING INFORMATION



SERIES INDICATOR

TBA = .250" Centerline Barrier Block

TBB = .250" Closed Side Barrier Block

TBC = .325" Centerline Barrier Block (Offset Tails)

TBD = .325" Centerline Barrier Block (Centered Tails)

TBE = .325" Closed Side Barrier Block

TBF = .375" Centerline Barrier Block

TBG = .375" Closed Side Barrier Block

TBH = .325" Centerline Stacked Block

HARDWARE OPTIONS

H1 thru HS-2 (Specify loaded positions)

TERMINAL TYPE

01 = Straight PCB Tail

02 = Closed Side Exit PCB Tail

03 = Right Angle PCB Tail

04 = Cliptite Terminal

05 = Turret Terminal

06 = Wire Wrap Terminal

MOUNTING ORIENTATION

B = Barrier End

M = Mount End

NO. OF POSITIONS
2 Thru 30

ORDERING INFORMATION



SERIES INDICATOR

TDA = .375" Centerline Dual Row

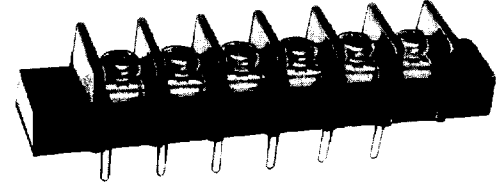
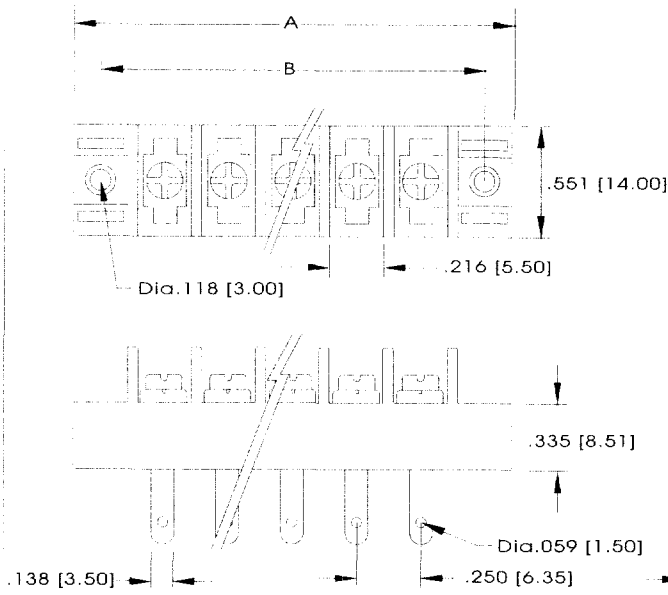
TDB = .433" Centerline Dual Row

TDC = .551" Centerline Dual Row

NO. OF POSITIONS
2 Thru 56

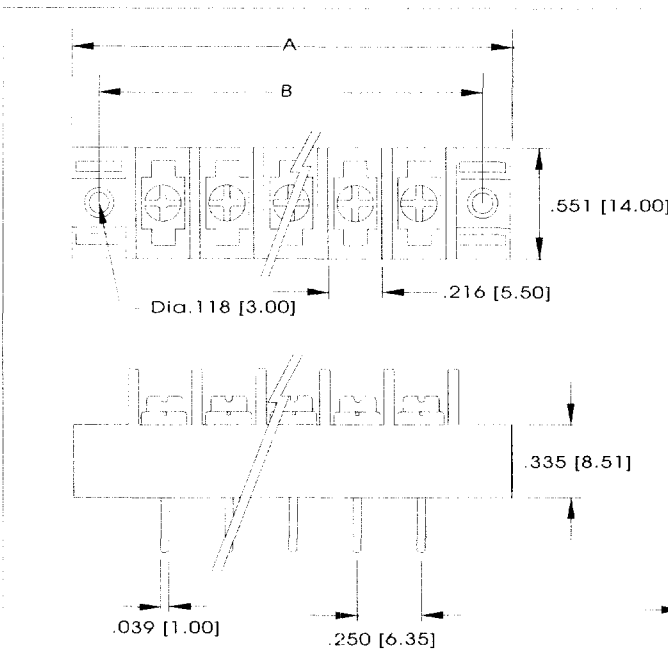
HARDWARE OPTIONS

H1 thru H19 Consult factory for other custom hardware not shown



TBA SERIES
RATED 10 AMPS

Cliptite
Terminal

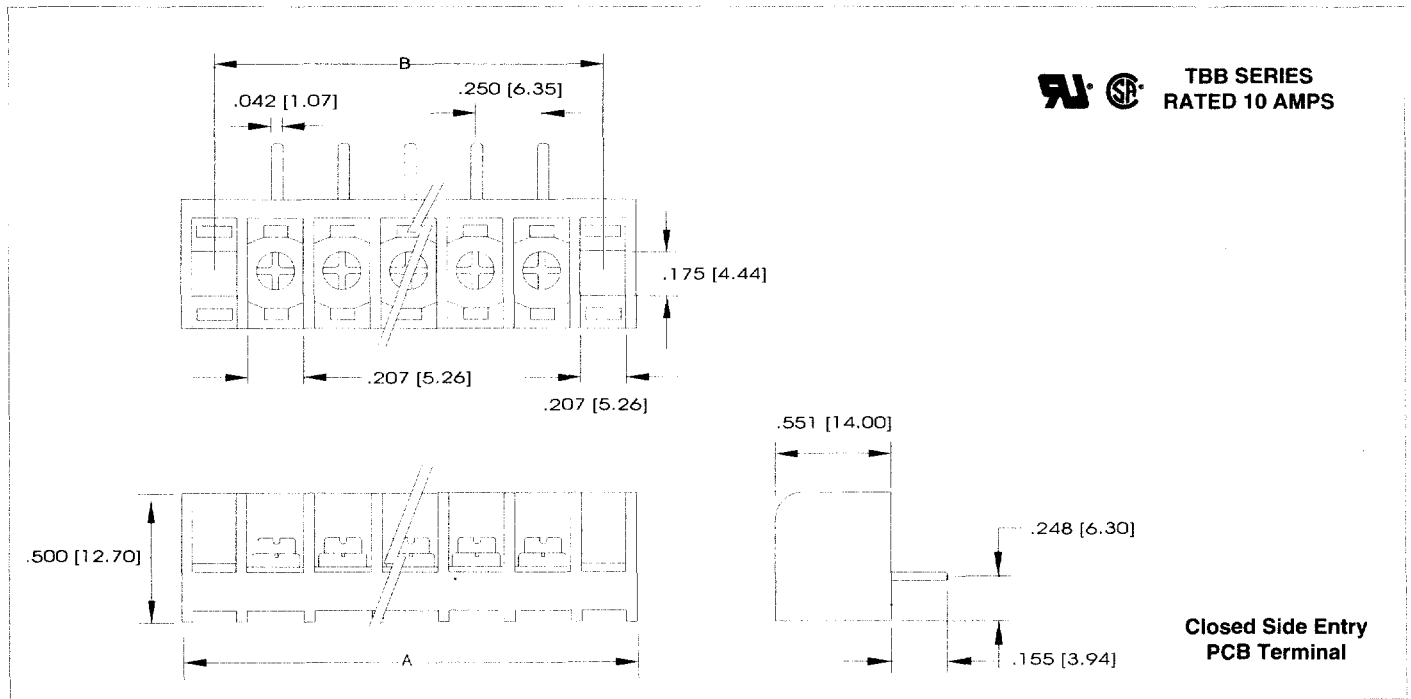
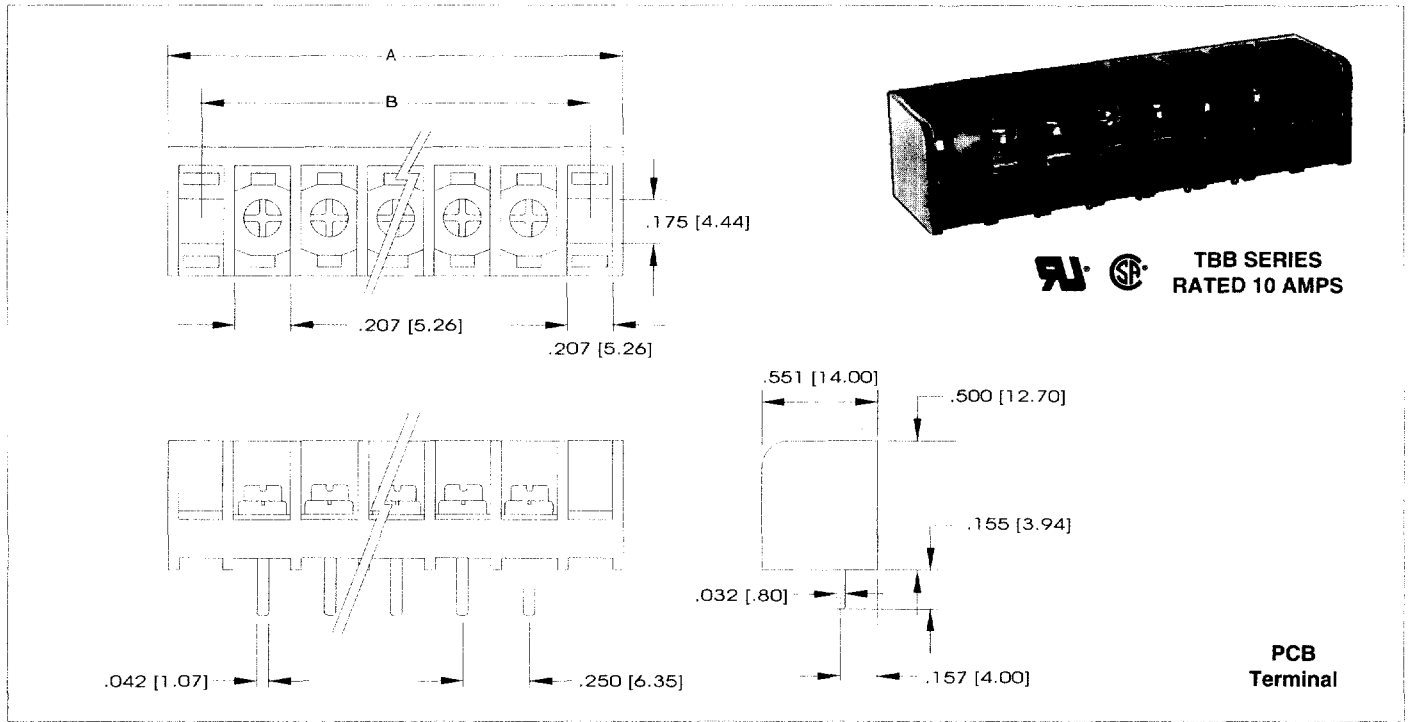


TBA SERIES
RATED 10 AMPS

Straight
PCB Terminal

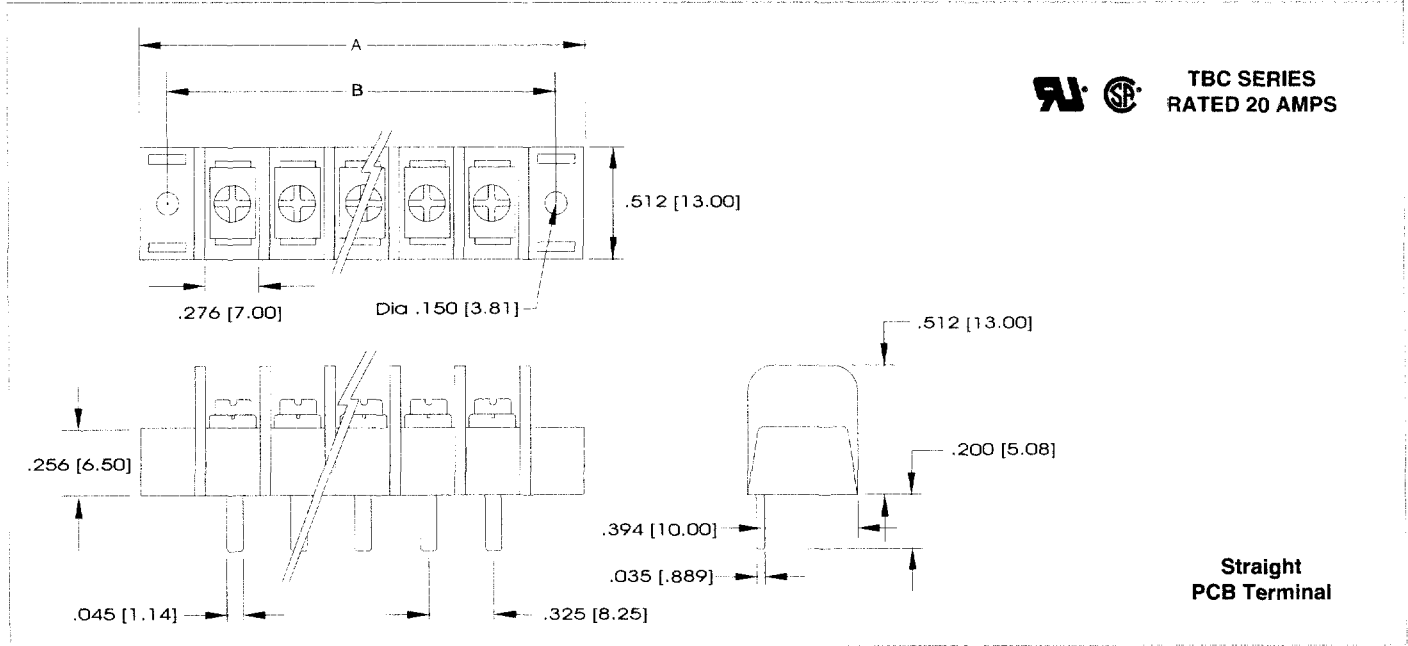
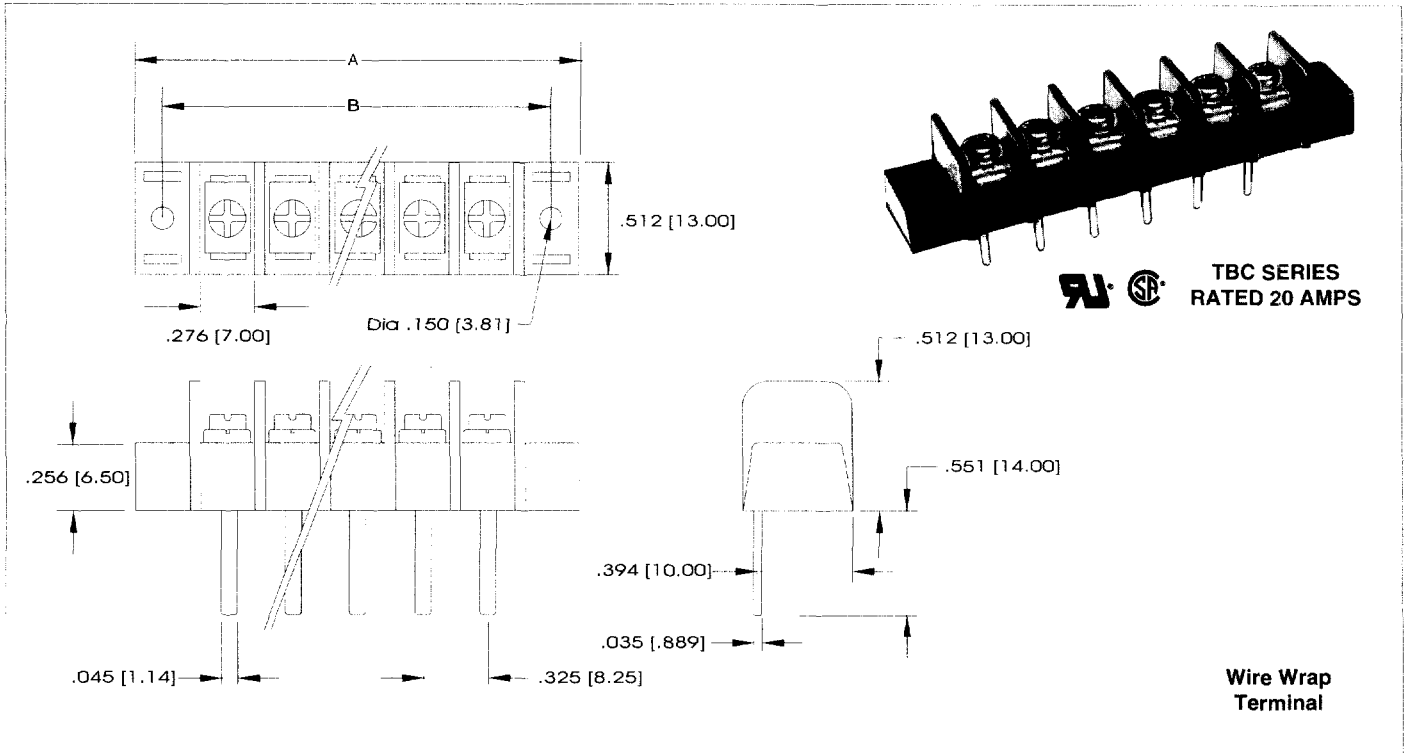
Unit: Inch / mm

POLES	2	3	4	5	6	7	8	9	10	11	12	13	14	15	16	17
A	1.004 (25.50)	1.254 (31.85)	1.504 (38.20)	1.754 (44.55)	2.004 (50.90)	2.254 (57.25)	2.504 (63.60)	2.754 (69.95)	3.004 (76.30)	3.254 (82.65)	3.504 (89.00)	3.754 (95.35)	4.004 (101.70)	4.254 (108.05)	4.504 (114.40)	4.754 (120.75)
B	0.750 (19.50)	1.000 (25.40)	1.250 (31.75)	1.500 (38.10)	1.750 (44.45)	2.000 (50.80)	2.250 (57.15)	2.500 (63.50)	2.750 (69.85)	3.000 (76.20)	3.250 (82.55)	3.500 (88.90)	3.750 (95.25)	4.000 (101.60)	4.250 (107.95)	4.500 (114.30)



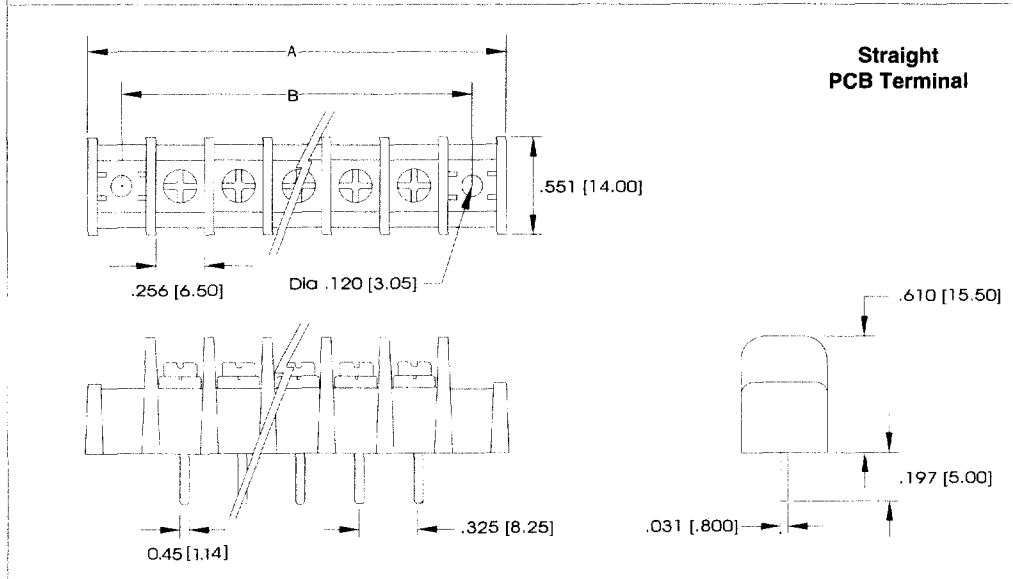
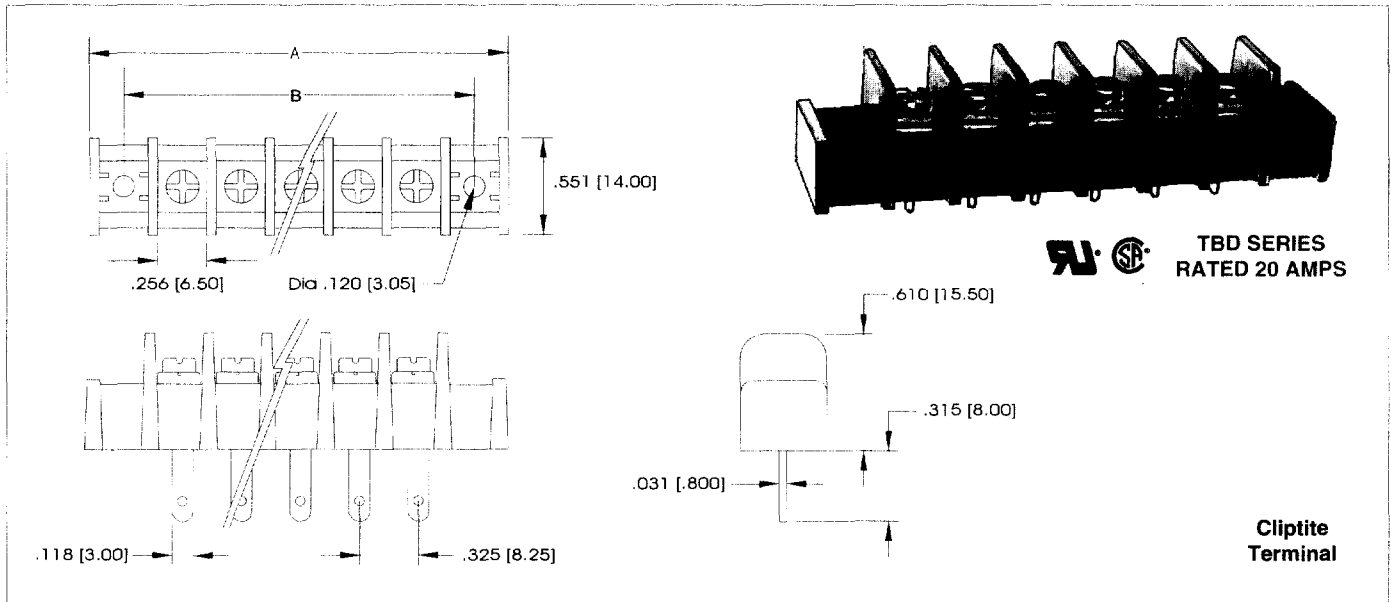
Unit: Inch / mm

POLES	2	3	4	5	6	7	8	9	10	11	12	13	14	15	16	17
A	1.004 (25.50)	1.254 (31.85)	1.504 (38.20)	1.754 (44.55)	2.004 (50.90)	2.254 (57.25)	2.504 (63.60)	2.754 (69.95)	3.004 (76.30)	3.254 (82.65)	3.504 (89.00)	3.754 (95.35)	4.004 (101.70)	4.254 (108.05)	4.504 (114.40)	4.754 (120.75)
B	0.750 (19.50)	1.000 (25.40)	1.250 (31.75)	1.500 (38.10)	1.750 (44.45)	2.000 (50.80)	2.250 (57.15)	2.500 (63.50)	2.750 (69.85)	3.000 (76.20)	3.250 (82.55)	3.500 (88.90)	3.750 (95.25)	4.000 (101.60)	4.250 (107.95)	4.500 (114.30)

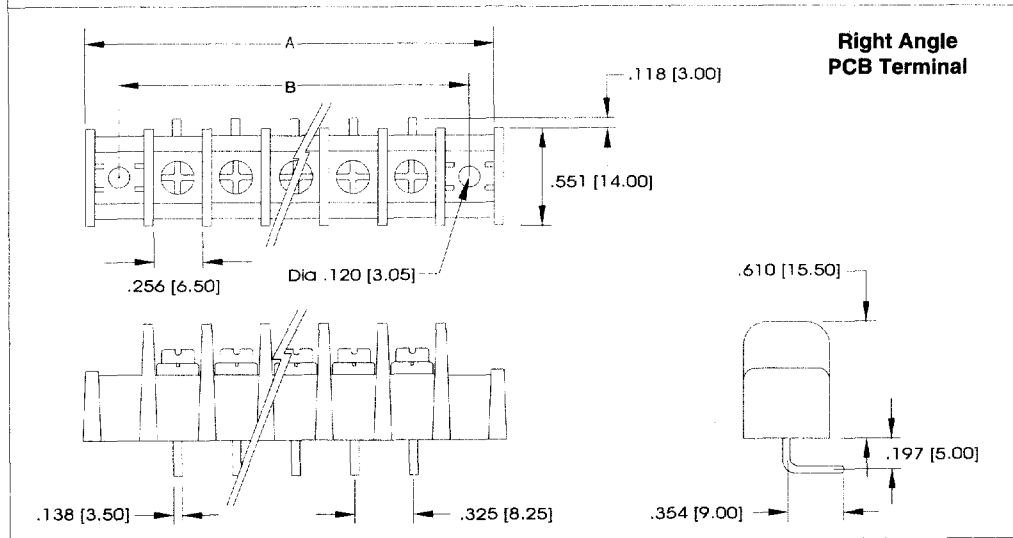


Unit: Inch / mm

POLES	2	3	4	5	6	7	8	9	10	11	12	13	14	15	16	17
A	1.378 (35.00)	1.703 (43.25)	2.028 (51.51)	2.353 (59.76)	2.678 (68.02)	3.003 (76.27)	3.328 (84.53)	3.653 (92.78)	3.978 (101.04)	4.303 (109.29)	4.628 (117.55)	4.953 (125.80)	5.278 (134.06)	5.603 (142.31)	5.928 (150.57)	6.253 (158.82)
B	0.974 (24.74)	1.299 (32.99)	1.624 (41.25)	1.949 (49.50)	2.274 (57.76)	2.599 (66.01)	2.924 (74.27)	3.249 (82.52)	3.574 (90.78)	3.899 (99.03)	4.224 (107.29)	4.549 (115.54)	4.874 (123.80)	5.199 (132.05)	5.524 (140.31)	5.849 (148.56)



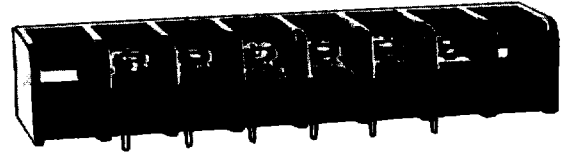
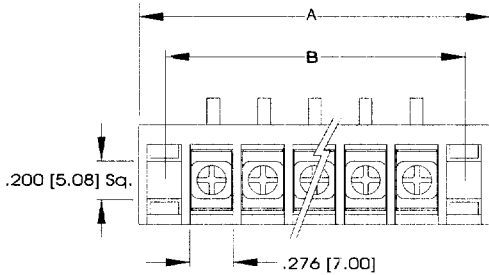
**Straight
PCB Terminal**



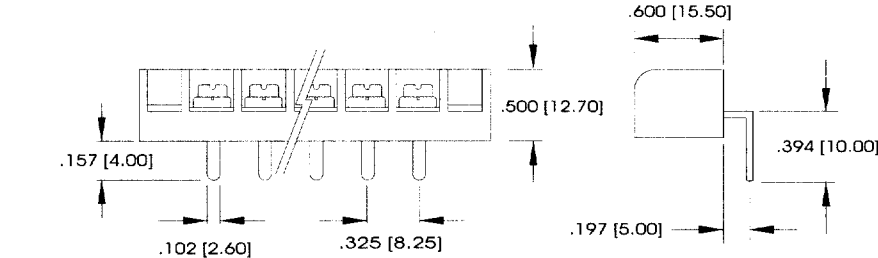
**Right Angle
PCB Terminal**

Unit: Inch / mm

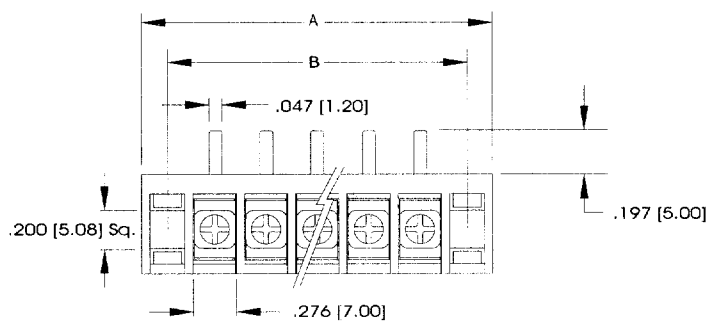
POLES	A	B
2	1.378 (35.00)	0.974 (24.74)
3	1.703 (43.25)	1.299 (32.99)
4	2.028 (51.51)	1.624 (41.25)
5	2.353 (59.76)	1.949 (49.50)
6	2.678 (68.02)	2.274 (57.76)
7	3.003 (76.27)	2.599 (66.01)
8	3.328 (84.53)	2.924 (74.27)
9	3.653 (92.78)	3.249 (82.52)
10	3.978 (101.04)	3.574 (90.78)
11	4.303 (109.29)	3.899 (99.03)
12	4.628 (117.55)	4.224 (107.29)
13	4.953 (125.80)	4.549 (115.54)
14	5.278 (134.06)	4.874 (123.80)
15	5.603 (142.31)	5.199 (132.05)
16	5.928 (150.57)	5.524 (140.31)
17	6.253 (158.82)	5.849 (148.56)
18	6.578 (167.08)	6.174 (156.82)
19	6.903 (175.33)	6.499 (165.07)
20	7.228 (183.59)	6.824 (173.33)
21	7.553 (191.84)	7.149 (181.58)
22	7.878 (200.10)	7.474 (189.84)
23	8.203 (208.35)	7.799 (198.09)
24	8.528 (216.61)	8.124 (206.35)
25	8.853 (224.86)	8.449 (214.60)
26	9.178 (233.12)	8.774 (222.86)
27	9.503 (241.37)	9.099 (231.11)



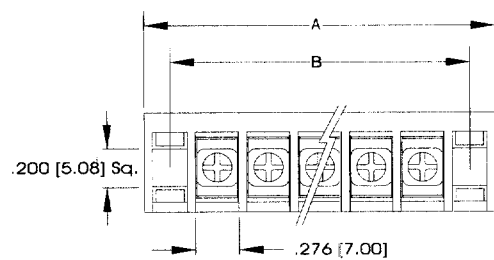
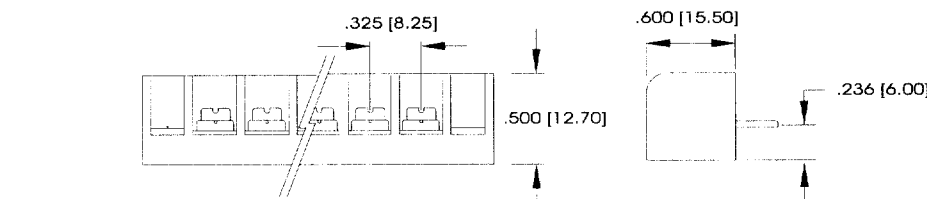
TBE SERIES
RATED 20 AMPS



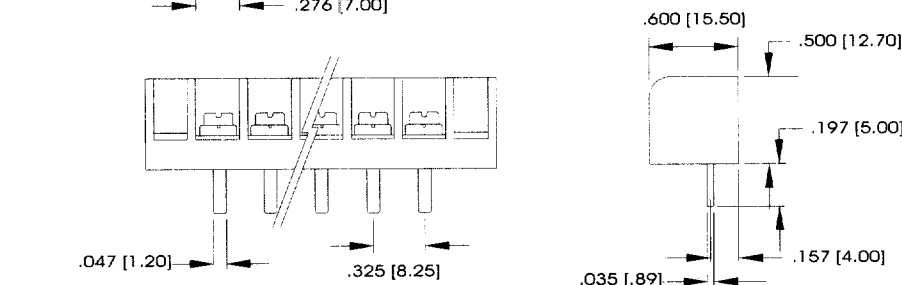
Right Angle
PCB Terminal



Closed Side
PCB Terminal

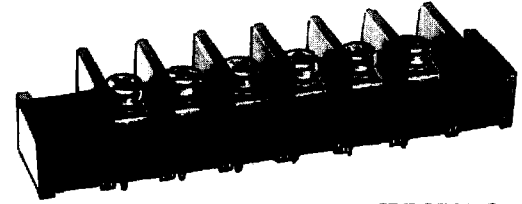
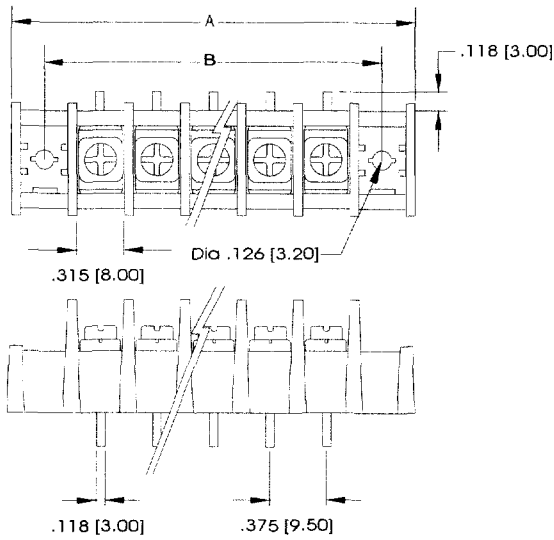


Straight
PCB Terminal



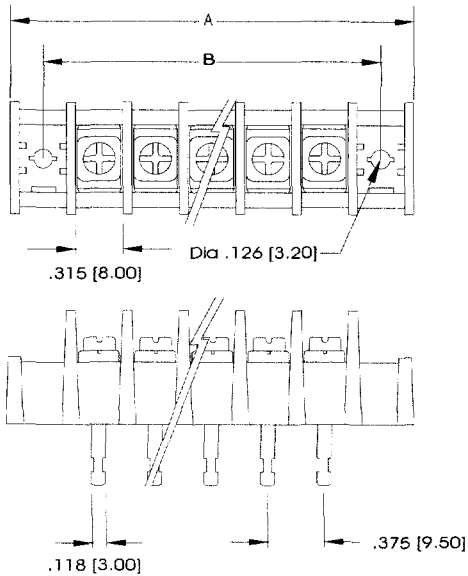
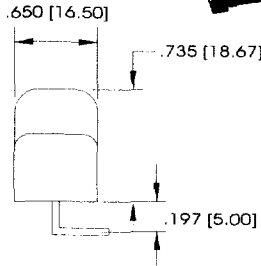
Unit: Inch / mm

POLES	A		B	
2	1.378	(35.00)	0.974	(24.74)
3	1.703	(43.25)	1.299	(32.99)
4	2.028	(51.51)	1.624	(41.25)
5	2.353	(59.76)	1.949	(49.50)
6	2.678	(68.02)	2.274	(57.76)
7	3.003	(76.27)	2.599	(66.01)
8	3.328	(84.53)	2.924	(74.27)
9	3.653	(92.78)	3.249	(82.52)
10	3.978	(101.04)	3.574	(90.78)
11	4.303	(109.29)	3.899	(99.03)
12	4.628	(117.55)	4.224	(107.29)
13	4.953	(125.80)	4.549	(115.54)
14	5.278	(134.06)	4.874	(123.80)
15	5.603	(142.31)	5.199	(132.05)
16	5.928	(150.57)	5.524	(140.31)
17	6.253	(158.82)	5.849	(148.56)
18	6.578	(167.08)	6.174	(156.82)
19	6.903	(175.33)	6.499	(165.07)
20	7.228	(183.59)	6.824	(173.33)
21	7.553	(191.84)	7.149	(181.58)
22	7.878	(200.10)	7.474	(189.84)
23	8.203	(208.35)	7.799	(198.09)
24	8.528	(216.61)	8.124	(206.35)
25	8.853	(224.86)	8.449	(214.60)
26	9.178	(233.12)	8.774	(222.86)
27	9.503	(241.37)	9.099	(231.11)

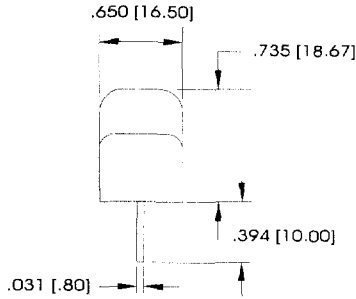


UL **SR** TBF SERIES
RATED 20 AMPS

**Right Angle
PCB Terminal**

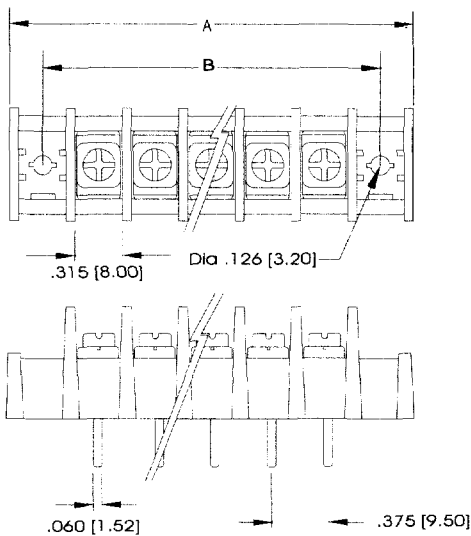


**Turret
Terminal**

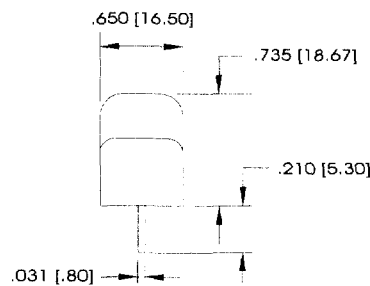


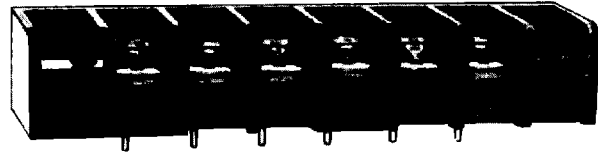
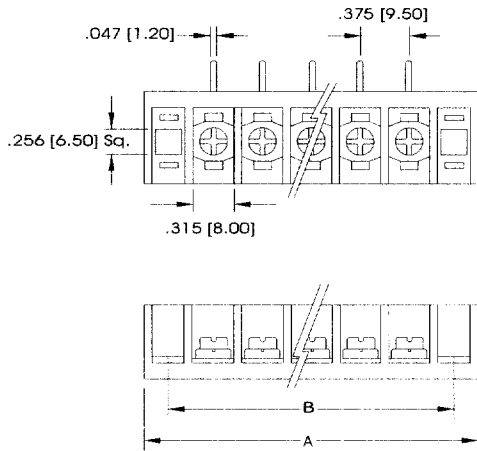
Unit: Inch / mm

POLES	A	B
2	1.513 (39.00)	1.122 (28.50)
3	1.910 (48.52)	1.497 (38.02)
4	2.285 (58.05)	1.872 (47.55)
5	2.660 (67.57)	2.247 (57.07)
6	3.035 (77.01)	2.622 (66.60)
7	3.410 (86.62)	2.997 (76.12)
8	3.785 (96.15)	3.372 (85.65)
9	4.160 (105.67)	3.747 (95.17)
10	4.535 (115.20)	4.122 (104.70)
11	4.910 (124.72)	4.497 (114.22)
12	5.285 (134.25)	4.872 (123.75)
13	5.660 (143.77)	5.247 (133.27)
14	6.035 (153.30)	5.622 (142.80)
15	6.410 (162.82)	5.997 (152.32)
16	6.785 (172.35)	6.372 (161.85)
17	7.160 (181.87)	6.747 (171.37)
18	7.535 (191.40)	7.122 (180.90)
19	7.910 (200.92)	7.497 (190.42)
20	8.285 (210.54)	7.872 (199.95)
21	8.660 (219.97)	8.247 (209.47)
22	9.035 (229.50)	8.622 (219.00)
23	9.410 (239.02)	8.997 (228.52)
24	9.785 (248.55)	9.372 (238.05)
25	10.160 (258.07)	9.747 (247.57)
26	10.535 (267.60)	10.122 (257.10)
27	10.910 (277.12)	10.497 (266.62)
28	11.285 (286.65)	10.872 (276.15)

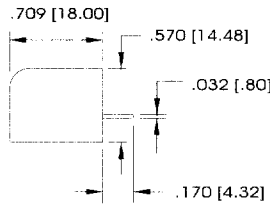


**Straight
PCB Terminal**

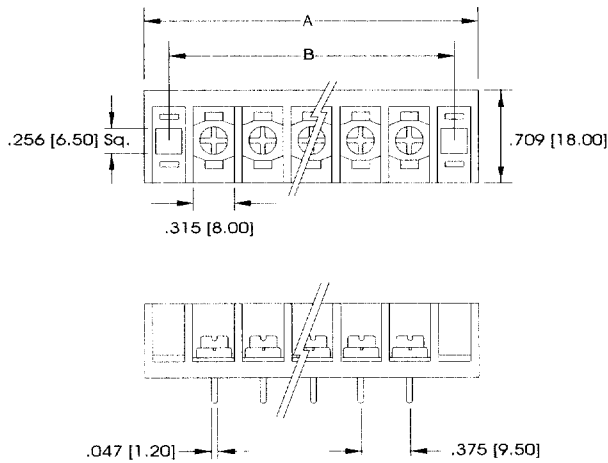




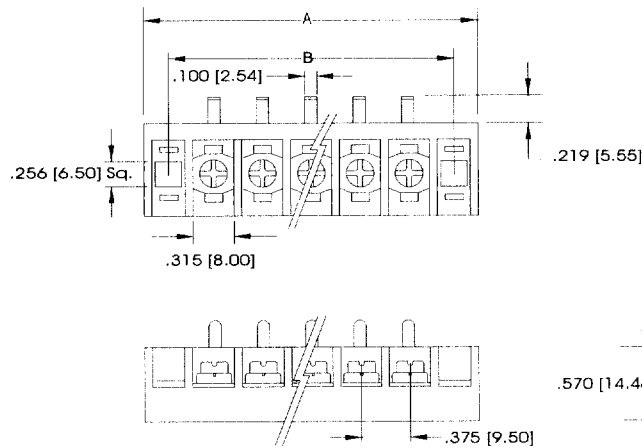
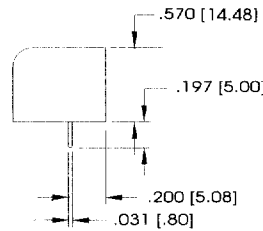
TB SERIES
RATED 20 AMPS



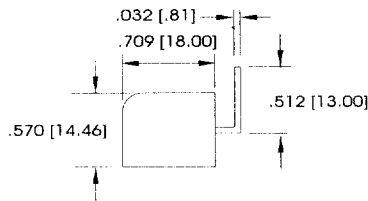
**Closed Side Entry
PCB Terminal**



**Straight
PCB Terminal**

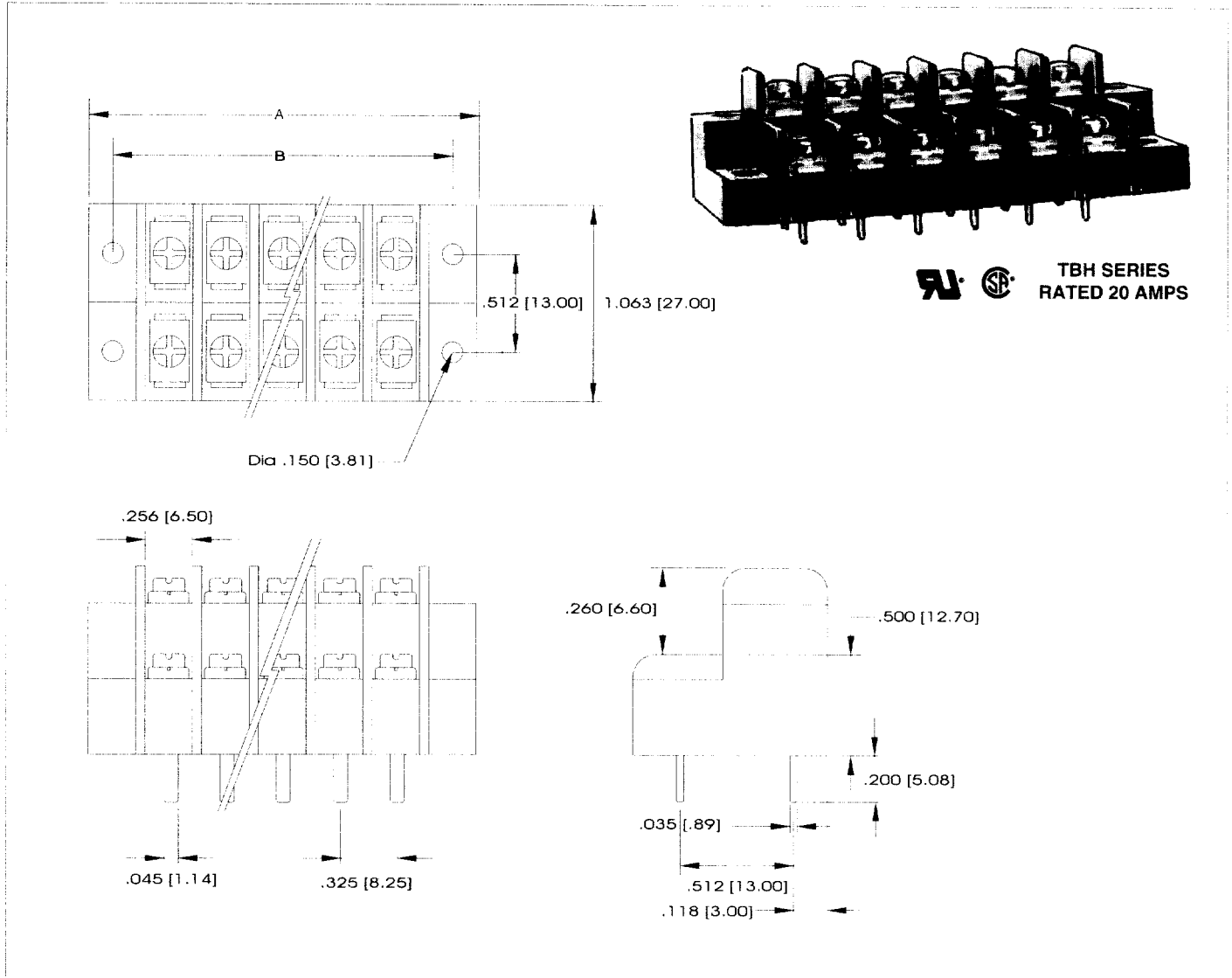


**Right Angle
PCB Terminal**



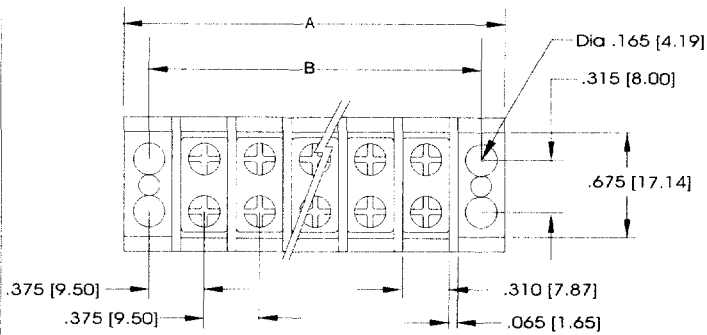
Unit: Inch / mm

POLES	A	B
2	1.513 (39.00)	1.122 (28.50)
3	1.910 (48.52)	1.497 (38.02)
4	2.285 (58.05)	1.872 (47.55)
5	2.660 (67.57)	2.247 (57.07)
6	3.035 (77.01)	2.622 (66.60)
7	3.410 (86.62)	2.997 (76.12)
8	3.785 (96.15)	3.372 (85.65)
9	4.160 (105.67)	3.747 (95.17)
10	4.535 (115.20)	4.122 (104.70)
11	4.910 (124.72)	4.497 (114.22)
12	5.285 (134.25)	4.872 (123.75)
13	5.660 (143.77)	5.247 (133.27)
14	6.035 (153.30)	5.622 (142.80)
15	6.410 (162.82)	5.997 (152.32)
16	6.785 (172.35)	6.372 (161.85)
17	7.160 (181.87)	6.747 (171.37)
18	7.535 (191.40)	7.122 (180.90)
19	7.910 (200.92)	7.497 (190.42)
20	8.285 (210.54)	7.872 (199.95)
21	8.660 (219.97)	8.247 (209.47)
22	9.035 (229.50)	8.622 (219.00)
23	9.410 (239.02)	8.997 (228.52)
24	9.785 (248.55)	9.372 (238.05)
25	10.160 (258.07)	9.747 (247.57)

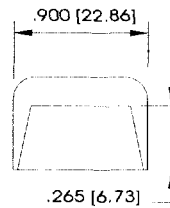
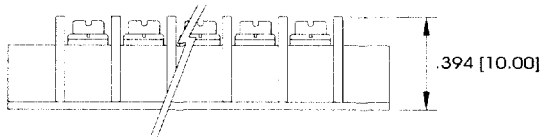


Unit: Inch / mm

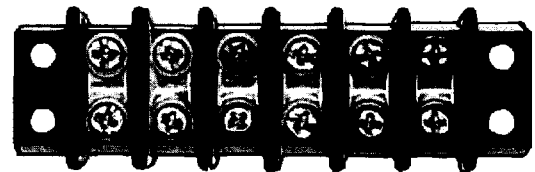
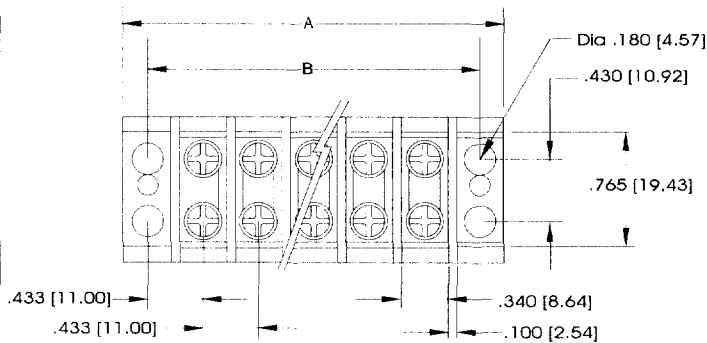
POLES	2	3	4	5	6	7	8	9	10	11	12	13	14	15	16	17
A	1.378 (35.00)	1.703 (43.25)	2.028 (51.51)	2.353 (59.76)	2.678 (68.02)	3.003 (76.27)	3.328 (84.53)	3.653 (92.78)	3.978 (101.04)	4.303 (109.29)	4.628 (117.55)	4.953 (125.80)	5.278 (134.06)	5.603 (142.31)	5.928 (150.57)	6.253 (158.82)
B	0.974 (24.74)	1.299 (32.99)	1.624 (41.25)	1.949 (49.50)	2.274 (57.76)	2.599 (66.01)	2.924 (74.27)	3.249 (82.52)	3.574 (90.78)	3.899 (99.03)	4.224 (107.29)	4.549 (115.54)	4.874 (123.80)	5.199 (132.05)	5.524 (140.31)	5.849 (148.56)



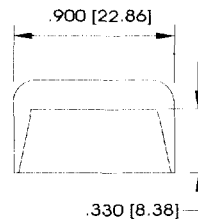
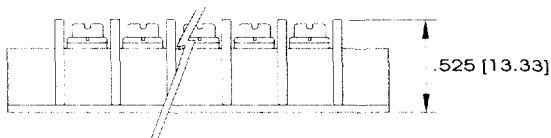
UL **CS** **TDA SERIES**
RATED 10 AMPS



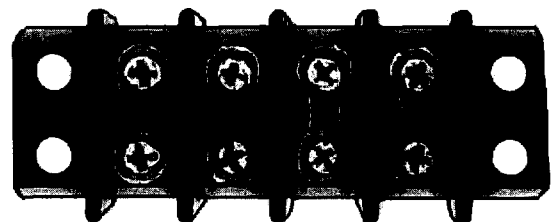
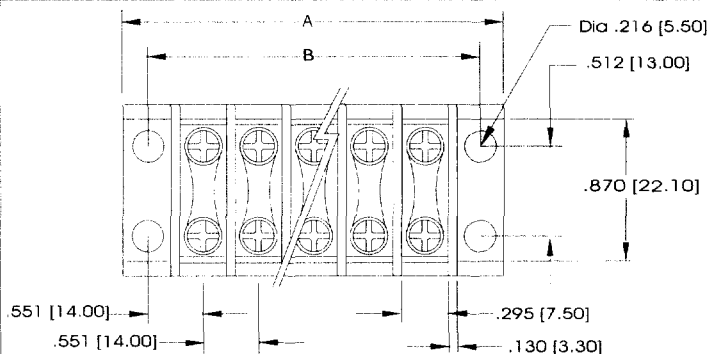
A = .375 [9.50] X No. of Spaces + .295 [7.50]
B = .375 [9.50] X No. of Spaces



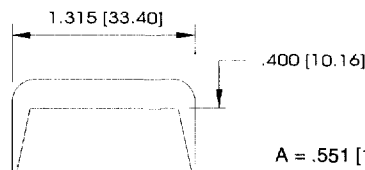
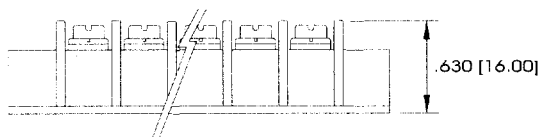
UL **CS** **TDB SERIES**
RATED 20 AMPS



A = .433 [11.00] X No. of Spaces + .354 [9.00]
B = .433 [11.00] X No. of Spaces



UL **CS** **TDC SERIES**
RATED 30 AMPS



A = .551 [14.00] X No. of Spaces + .393 [10.00]
B = .551 [14.00] X No. of Spaces

<p>H-1</p>	<p>H-8</p>	<p>H-15</p>
<p>H-2</p>	<p>H-9</p>	<p>H-16</p>
<p>H-3</p>	<p>H-10</p>	<p>H-17</p>
<p>H-4</p>	<p>H-11</p>	<p>H-18</p>
<p>H-5</p>	<p>H-12</p>	<p>H-19</p>
<p>H-6</p>	<p>H-13</p>	<p>HS-1</p>
<p>H-7</p>	<p>H-14</p>	<p>HS-2</p>