

Features

- 32K x 36 or 64K x 18 Organizations
- 0.45 Micron CMOS Technology
- Synchronous Pipeline Mode of Operation with Self-Timed Late Write
- Single Differential HSTL/GTL Clock
- Single +3.3V Power Supply and Ground
- HSTL/GTL Input and Output levels
- Registered Addresses, Write Enables, Synchronous Select, and Data Ins
- Registered Outputs
- Common I/O
- Asynchronous Output Enable and Power Down Inputs
- Boundary Scan using limited set of JTAG 1149.1 functions
- Byte Write Capability & Global Write Enable
- 7 x 17 Bump Ball Grid Array Package with SRAM EDEC Standard Pinout and Boundary SCAN Order
- Programmable Impedance Output Drivers

Description

The IBM043611TLAB and IBM041811TLAB 1Mb SRAMs are Synchronous Pipeline Mode, high-performance CMOS Static Random Access Memories that are versatile, have wide I/O, and achieve 4ns cycle times. Dual differential K clocks are used to initiate the read/write operation, and all internal operations are self-timed. At the rising edge of the K clock, all Addresses, Write-Enables, Sync Select, and

Data Ins are registered internally. Data Outs are updated from output registers off the next rising edge of the K clock. An internal Write buffer allows write data to follow one cycle after addresses and controls. The chip is operated with a single +3.3V power supply and is compatible with HSTL/GTL I/O interfaces.

x36 BGA Pinout (Top View)

	1	2	3	4	5	6	7
A	V _{DDQ}	SA8	SA7	NC	SA4	SA3	V _{DDQ}
B	NC	NC	NC	NC	NC	NC	NC
C	NC	SA9	SA6	V _{DD}	SA5	SA2	NC
D	DQ23	DQ18	V _{SS}	ZQ	V _{SS}	DQ17	DQ12
E	DQ19	DQ24	V _{SS}	\overline{SS}	V _{SS}	DQ11	DQ16
F	V _{DDQ}	DQ20	V _{SS}	\overline{G}	V _{SS}	DQ15	V _{DDQ}
G	DQ21	DQ25	\overline{SBWc}	\overline{C}^*	\overline{SBWb}	DQ10	DQ14
H	DQ26	DQ22	V _{SS}	C*	V _{SS}	DQ13	DQ9
J	V _{DDQ}	V _{DD}	V _{REF}	V _{DD}	V _{REF}	V _{DD}	V _{DDQ}
K	DQ27	DQ31	V _{SS}	K	V _{SS}	DQ4	DQ8
L	DQ32	DQ28	\overline{SBWd}	\overline{K}	\overline{SBWa}	DQ7	DQ3
M	V _{DDQ}	DQ33	V _{SS}	\overline{SW}	V _{SS}	DQ2	V _{DDQ}
N	DQ34	DQ29	V _{SS}	SA1	V _{SS}	DQ6	DQ1
P	DQ30	DQ35	V _{SS}	SA0	V _{SS}	DQ0	DQ5
R	NC	SA14	M1*	V _{DD}	M2*	SA10	NC
T	NC	NC	SA13	SA12	SA11	NC	ZZ
U	V _{DDQ}	TMS	TDI	TCK	TDO	NC	V _{DDQ}

Note: * M1 and M2 are read protocol mode pins. For this application, M1 and M2 must be connected to V_{SS} and V_{DD}, respectively. C-clocks must be left floating for all single-clock read protocols.

x18 BGA Pinout (Top View)

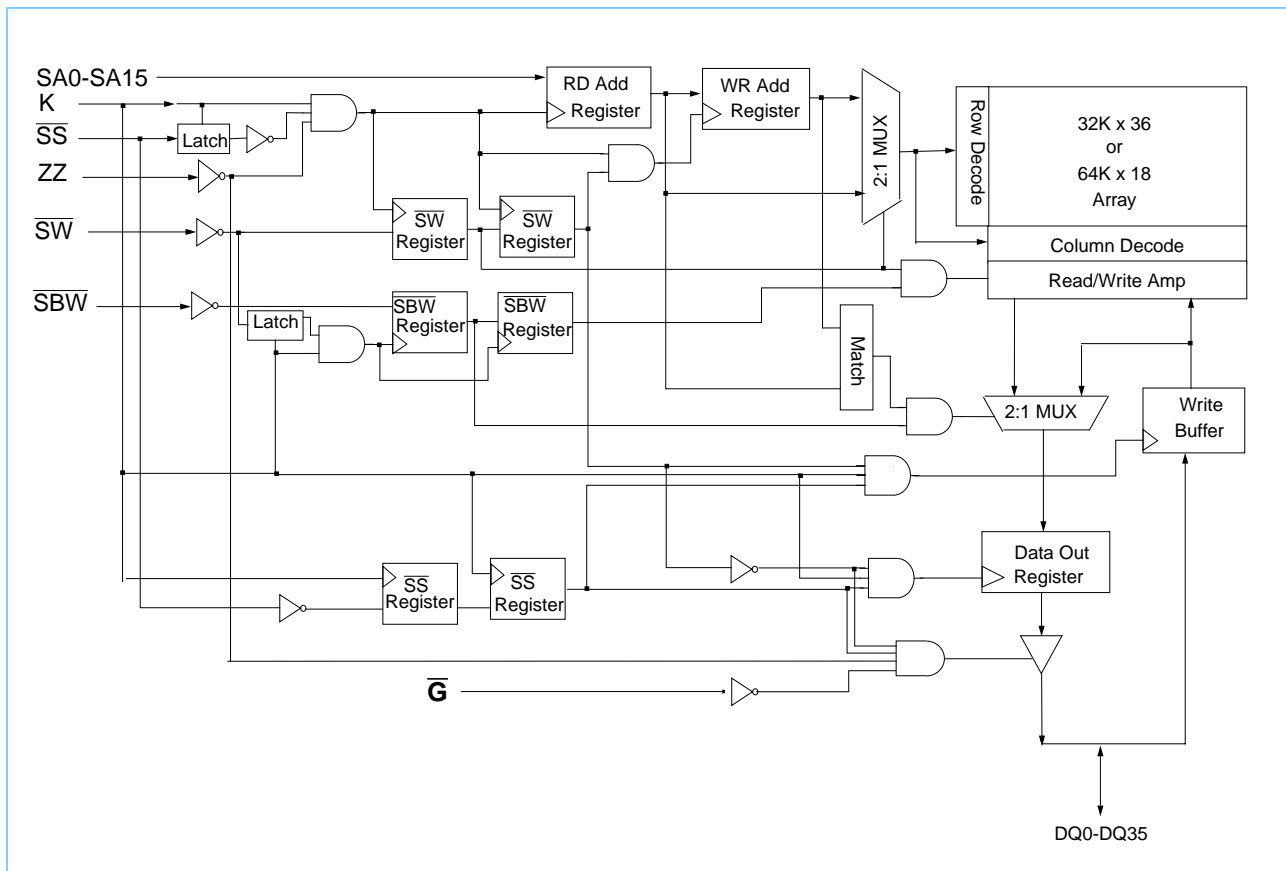
	1	2	3	4	5	6	7
A	V _{DDQ}	SA8	SA7	NC	SA4	SA3	V _{DDQ}
B	NC	NC	NC	NC	NC	NC	NC
C	NC	SA9	SA6	V _{DD}	SA5	SA2	NC
D	DQ9	NC	V _{SS}	ZQ	V _{SS}	DQ8	NC
E	NC	DQ10	V _{SS}	\overline{SS}	V _{SS}	NC	DQ7
F	V _{DDQ}	NC	V _{SS}	\overline{G}	V _{SS}	DQ6	V _{DDQ}
G	NC	DQ11	\overline{SBWb}	\overline{C}^*	NC	NC	DQ5
H	DQ12	NC	V _{SS}	C*	V _{SS}	DQ4	NC
J	V _{DDQ}	V _{DD}	V _{REF}	V _{DD}	V _{REF}	V _{DD}	V _{DDQ}
K	NC	DQ13	V _{SS}	K	V _{SS}	NC	DQ3
L	DQ14	NC	NC	\overline{K}	\overline{SBWa}	DQ2	NC
M	V _{DDQ}	DQ15	V _{SS}	\overline{SW}	V _{SS}	NC	V _{DDQ}
N	DQ16	NC	V _{SS}	SA1	V _{SS}	DQ1	NC
P	NC	DQ17	V _{SS}	SA0	V _{SS}	NC	DQ0
R	NC	SA15	M1	V _{DD}	M2	SA11	NC
T	NC	SA13	SA14	NC	SA12	SA10	ZZ
U	V _{DDQ}	TMS	TDI	TCK	TDO	NC	V _{DDQ}

Note: * M1 and M2 are read protocol mode pins. For this application, M1 and M2 must be connected to V_{SS} and V_{DD}, respectively. C-clocks must be left floating for all single-clock read protocols.

Pin Description

SA0-SA15	Address Input	\overline{G}	Asynchronous Output Enable
DQ0-DQ35	Data I/O	\overline{SS}	Synchronous Select
K, \overline{K}	Differential Input-Register Clocks	M1, M2	Mode Inputs- Selects Read Protocol Operation.
\overline{SW}	Write Enable, Global	$V_{REF(2)}$	GTL/HSTL Input Reference Voltage
\overline{SBW}_a	Write Enable, Byte a (DQ0-DQ8)	V_{DD}	Power Supply (+3.3V)
\overline{SBW}_b	Write Enable, Byte b (DQ9-DQ17)	V_{SS}	Ground
\overline{SBW}_c	Write Enable, Byte c (DQ18-DQ26)	V_{DDQ}	Output Power Supply
\overline{SBW}_d	Write Enable, Byte d (DQ27-DQ35)	ZZ	Asynchronous Sleep Mode
TMS,TDI,TCK	IEEE 1149.1 Test Inputs (LVTTTL levels)	ZQ	Output Driver Impedance Control
TDO	IEEE 1149.1 Test Output (LVTTTL level)	NC	No Connect

Block Diagram



SRAM Features

Late Write

Late Write function allows for write data to be registered one cycle after addresses and controls. This feature eliminates one bus-turnaround cycle necessary when going from a Read to a Write operation. Late Write is accomplished by buffering write addresses and data so that the write operation occurs during the next write cycle. When a read cycle occurs after a write cycle, the address and write data information are stored temporarily in holding registers. During the first write cycle preceded by a read cycle, the SRAM array will be updated with address and data from the holding registers. Read cycle addresses are monitored to determine if read data is to be supplied from the SRAM array or the write buffer. The bypassing of the SRAM array occurs on a byte-by-byte basis. When only one byte is written during a write cycle, read data from the last written address will have new byte data from the write buffer and remaining bytes from the SRAM array.

Mode Control

Mode control pins M1 and M2 are used to select four different JEDEC standard read protocols. The SRAM supports the following protocols:

- Single Clock, Flow-Through (M1 = V_{SS} , M2 = V_{SS})
- Pipeline (M1 = V_{SS} , M2 = V_{DD})
- Register-Latch (M1 = V_{DD} , M2 = V_{SS})
- Dual Clock, Flow-Through (M1 = V_{DD} , M2 = V_{DD})

This datasheet only describes Pipeline functionality. Mode control inputs must be set with power-up and must not change during SRAM operation. Dual Clock will not be offered.

Sleep Mode

Sleep Mode is enabled by switching asynchronous signal ZZ High. When the SRAM is in Sleep mode, the outputs will go to a High-Z state and the SRAM will draw standby current. SRAM data will be preserved and a recovery time (t_{ZZR}) is required before the SRAM resumes to normal operation.

Programmable Impedance/Power-Up Requirements

An external resistor, RQ, must be connected between the ZQ pin on the SRAM and V_{SS} to allow for the SRAM to adjust its output driver impedance. The value of RQ must be 5X the value of the intended line impedance driven by the SRAM. The allowable range of RQ to guarantee impedance matching with a tolerance of TBD% is between 175W and 350W. Periodic readjustment of the output driver impedance is necessary as the impedance is greatly affected by drifts in supply voltage and temperature. One evaluation occurs every 64 clock cycles and each evaluation may move the output driver impedance level only one step at a time towards the optimum level. The output driver has 32 discrete binary weighted steps. The impedance update of the output driver occurs when the SRAM is in High-Z. Write and Deselect operations will synchronously switch the SRAM into and out of High-Z, triggering an update. The user may choose to invoke asynchronous G updates by providing a G setup and hold about the K Clock to guarantee the proper update. In order to guarantee the optimum internally regulated supply voltage, the SRAM requires 4 μ s of power-up time after V_{DD} reaches its operating range. Furthermore, 2048 cycles followed by a Low-Z to High-Z transition are required to guarantee optimum output driver impedance.



Preliminary

Power-Up/ Power-Down Sequencing

The Power supplies need to be powered up in the following manner: V_{DD} , V_{DDQ} , V_{REF} , and Inputs. The power-down sequencing must be the reverse. V_{DDQ} must never be allowed to exceed V_{DD} .

Ordering Information

Part Number	Organization	Speed	Leads
IBM041811TLAB - 4	64K x 18	2.1ns Access / 4.0ns Cycle	7 x 17 BGA
IBM041811TLAB - 4N	64K x 18	2.25ns Access / 4.3ns Cycle	7 x 17 BGA
IBM041811TLAB - 5	64K x 18	2.5ns Access / 5ns Cycle	7 x 17 BGA
IBM041811TLAB - 6	64K x 18	3.0ns Access / 6ns Cycle	7 x 17 BGA
IBM041811TLAB - 7	64K x 18	3.0ns Access / 7.0ns Cycle	7 x 17 BGA
IBM043611TLAB - 4	32K x 36	2.1ns Access / 4.0ns Cycle	7 x 17 BGA
IBM043611TLAB - 4N	32K x 36	2.25ns Access / 4.3ns Cycle	7 x 17 BGA
IBM043611TLAB - 5	32K x 36	2.5ns Access / 5ns Cycle	7 x 17 BGA
IBM043611TLAB - 6	32K x 36	3.0ns Access / 6ns Cycle	7 x 17 BGA
IBM043611TLAB - 7	32K x 36	3.0ns Access / 7.0ns Cycle	7 x 17 BGA

Clock Truth Table

K	ZZ	SS	SW	SBW \bar{a}	SBW \bar{b}	SBW \bar{c}	SBW \bar{d}	DQ (n)	DQ (n+1)	MODE
L→H	L	L	H	X	X	X	X	X	D _{OUT} 0-35	Read Cycle All Bytes
L→H	L	L	L	L	H	H	H	X	D _{IN} 0-8	Write Cycle 1st Byte
L→H	L	L	L	H	L	H	H	X	D _{IN} 9-17	Write Cycle 2nd Byte
L→H	L	L	L	H	H	L	H	X	D _{IN} 18-26	Write Cycle 3rd Byte
L→H	L	L	L	H	H	H	L	X	D _{IN} 27-35	Write Cycle 4th Byte
L→H	L	L	L	L	L	L	L	X	D _{IN} 0-35	Write Cycle All Bytes
L→H	L	L	L	H	H	H	H	X	High-Z	Abort Write Cycle
L→H	L	H	X	X	X	X	X	X	High-Z	Deselect Cycle
X	H	X	X	X	X	X	X	High-Z	High-Z	Sleep Mode

Output Enable Truth Table

Operation	\bar{G}	DQ
Read	L	D _{OUT} 0-35
Read	H	High-Z
Sleep (ZZ = H)	X	High-Z
Write (SW = L)	X	High-Z
Deselect (SS = H)	X	High-Z

Absolute Maximum Ratings

Item	Symbol	Rating	Units	Notes
Power Supply Voltage	V _{DD}	-0.5 to 4.0	V	1
Output Power Supply Voltage	V _{DDQ}	-0.5 to 4.0	V	1
Input Voltage	V _{IN}	-0.5 to V _{DD} +0.5	V	1
Output Voltage	V _{OUT}	-0.5 to V _{DD} +0.5	V	1
Operating Temperature	T _A	0 to +70	°C	1
Junction Temperature	T _J	110	°C	1
Storage Temperature	T _{STG}	-55 to +125	°C	1
Short Circuit Output Current	I _{OUT}	25	mA	1

1. Stresses greater than those listed under "Absolute Maximum Ratings" may cause permanent damage to the device. This is a stress rating only and functional operation of the device at these or any other conditions above those indicated in the operational sections of this specification is not implied. Exposure to absolute maximum rating conditions for extended periods may affect reliability.

Recommended DC Operating Conditions ($T_A = 0$ to 70°C)

Parameter	Symbol	Min.	Typ.	Max.	Units	Notes
Supply Voltage	V_{DD}	3.135	3.3	3.60	V	1
Output Driver Supply Voltage	V_{DDQ}	1.14	1.5	1.6	V	1
Input High Voltage	V_{IH}	$V_{REF} + 0.1$	—	$V_{DDQ} + 0.3$	V	1, 2
Input Low Voltage	V_{IL}	-0.3	—	$V_{REF} - 0.1$	V	1, 3
Input Reference Voltage	V_{REF}	0.55	0.75	0.90	V	1
Clocks Signal Voltage	V_{IN-CLK}	-0.3	—	$V_{DDQ} + 0.3$	V	1, 4
Differential Clocks Signal Voltage	$V_{DIF-CLK}$	0.1	—	$V_{DDQ} + 0.6$	V	1, 5
Clocks Common Mode Voltage	V_{CM-CLK}	0.55	—	0.90	V	1
Output Current	I_{out}	—	5	8	mA	

1. All voltages referenced to V_{SS} . All V_{DD} , V_{DDQ} and V_{SS} pins must be connected.
2. $V_{IH}(\text{Max})\text{DC} = V_{DDQ} + 0.3$ V, $V_{IH}(\text{Max})\text{AC} = V_{DDQ} + 1.5$ V (pulse width $\leq 4.0\text{ns}$).
3. $V_{IL}(\text{Min})\text{DC} = -0.3$ V, $V_{IL}(\text{Min})\text{AC} = -1.5$ V (pulse width $\leq 4.0\text{ns}$).
4. V_{IN-CLK} specifies the maximum allowable DC excursions of each differential clock (K, \bar{K}).
5. $V_{DIF-CLK}$ specifies the minimum Clock differential voltage required for switching.

DC Electrical Characteristics ($T_A = 0$ to $+70^\circ\text{C}$, $V_{DD} = 3.3\text{V} \pm 5\%$)

Parameter	Symbol	Min.	Max.	Units	Notes
Average Power Supply Operating Current - x36 ($I_{OUT} = 0$, $V_{IN} = V_{IH}$ or V_{IL} , ZZ & SS = V_{IL})	I_{DD4} I_{DD5} I_{DD6} I_{DD7}	— —	550 500 375 350	mA	1
Average Power Supply Operating Current - x18 ($I_{OUT} = 0$, $V_{IN} = V_{IH}$ or V_{IL} , ZZ & SS = V_{IL})	I_{DD4} I_{DD5} I_{DD6} I_{DD7}	— —	475 400 350 325	mA	1
Power Supply Standby Current (ZZ = V_{IH} , All other inputs = V_{IH} or V_{IL} , $I_{OUT} = 0$)	I_{SB}	—	25	mA	1
Input Leakage Current, any input, except TDI, TMS, TCK ($V_{IN} = V_{SS}$ or V_{IH-max})	I_{LI}	-1	+1	μA	
Output Leakage Current ($V_{OUT} = V_{SS}$ or V_{DDQ} , DQ in High-Z)	I_{LO}	-1	+1	μA	
Output "High" Level Voltage ($I_{OH} = -6\text{mA}$ @ $V_{DDQ} / 2 + 0.3$)	V_{OH}	$V_{DDQ} / 2 + 0.3$	V_{DDQ}	V	2
Output "Low" Level Voltage ($I_{OL} = +6\text{mA}$ @ $V_{DDQ} / 2 - 0.3$)	V_{OL}	V_{SS}	$V_{DDQ} / 2 - 0.3$	V	2

1. I_{OUT} = Chip Output Current.
2. Minimum Impedance Output Driver.

Capacitance ($T_A = 0$ to $+70^\circ\text{C}$, $V_{DD} = 3.3\text{V} -5\% + 10\%$, $f = 1\text{MHz}$)

Parameter	Symbol	Test Condition	Max	Units
Input Capacitance	C_{IN}	$V_{IN} = 0\text{V}$	4	pF
Data I/O Capacitance (DQ0-DQ35)	C_{OUT}	$V_{OUT} = 0\text{V}$	5	pF

Programmable Impedance Output Driver DC Electrical Characteristics ($T_A = 0$ to $+70^\circ\text{C}$, $V_{DD} = 3.3\text{V} - 5\% + 10\%$, $V_{DDQ} = 1.5\text{V} \pm 7\%$)

Parameter	Symbol	Min.	Max.	Units	Notes
Output "High" Level Voltage	V_{OH}	$V_{DDQ} / 2$	V_{DDQ}	V	1, 3
Output "Low" Level Voltage	V_{OL}	V_{SS}	$V_{DDQ} / 2$	V	2, 3

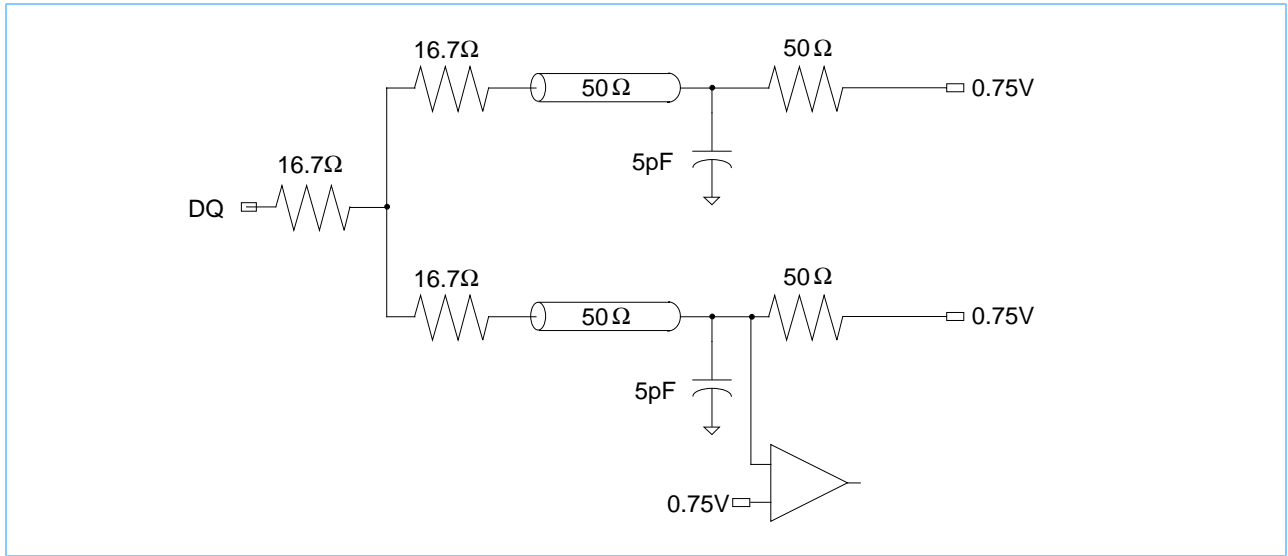
- $I_{OH} = (V_{DDQ} / 2) / (RQ / 5) \pm 25\%$ @ $V_{OH} = V_{DDQ} / 2$ For: $150\Omega \leq RQ \leq 350\Omega$.
- $I_{OL} = (V_{DDQ} / 2) / (RQ / 5) \pm 25\%$ @ $V_{OL} = V_{DDQ} / 2$ For: $150\Omega \leq RQ \leq 350\Omega$.
- Parameter tested with $RQ = 250\Omega$ and $V_{DDQ} = 1.5\text{V}$.

AC Test Conditions ($T_A = 0$ to $+70^\circ\text{C}$, $V_{DD} = 3.3\text{V} - 5\% + 10\%$)

Parameter	Symbol	Conditions	Units	Notes
Output Driver Supply Voltage	V_{DDQ}	1.5	V	
Input High Level	V_{IH}	1.25	V	
Input Low Level	V_{IL}	0.25	V	
Input Reference Voltage	V_{REF}	0.75	V	
Differential Clocks Voltage	$V_{DIF-CLK}$	1.0	V	
Clocks Common Mode Voltage	V_{CM-CLK}	0.75	V	
Input Rise Time	T_R	0.5	ns	
Input Fall Time	T_F	0.5	ns	
I/O Signals Reference Level (except K, C Clocks)		0.75	V	
Clocks Reference Level		Differential Cross Point	V	
Output Load Conditions				1, 2

- See figure on page 11.
- Parameter tested with $RQ = 250\Omega$ and $V_{DDQ} = 1.5\text{V}$.

AC Test Loading

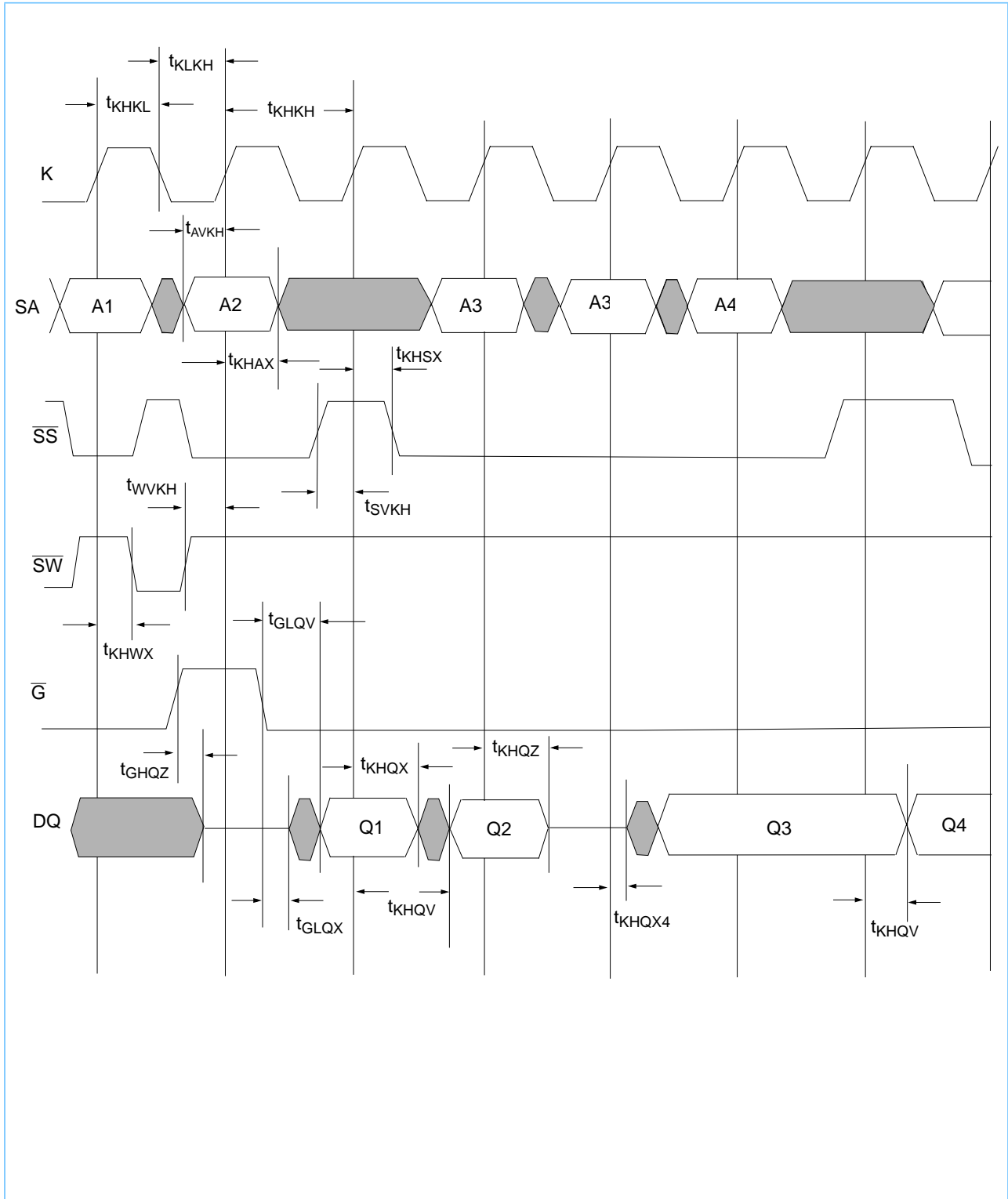


AC Characteristics ($T_A = 0$ to $+70^\circ\text{C}$, $V_{DD} = 3.3\text{V} - 5\% + 10\%$)

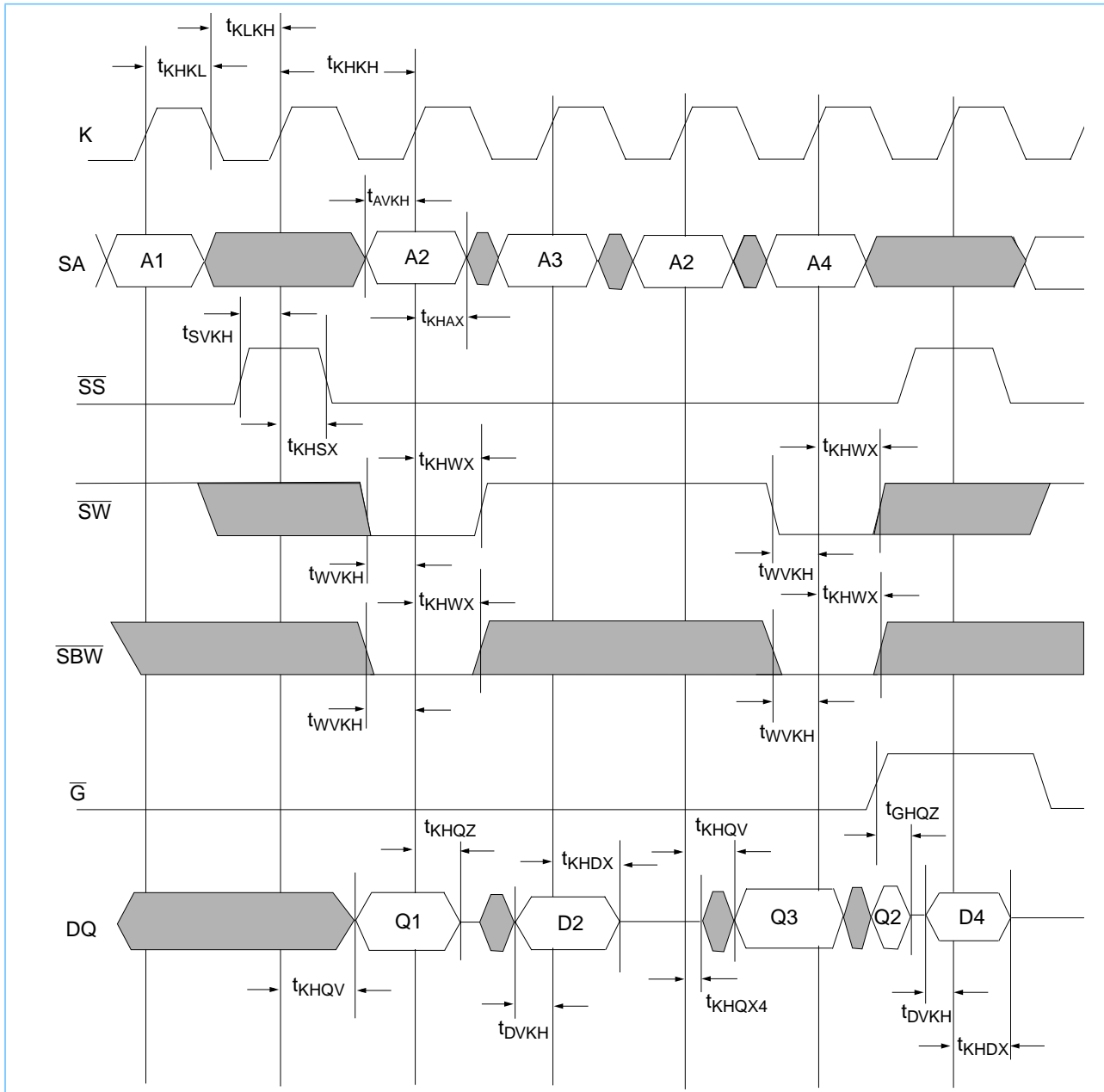
Parameter	Symbol	-4		-4N		-5		-6		-7		Units	Notes
		Min.	Max.	Min.	Max.	Min.	Max.	Min.	Max.	Min.	Max.		
Cycle Time	t_{KHKH}	4.0	—	4.3	—	5.0	—	6.0	—	7.0	—	ns	
Clock High Pulse Width	t_{KHKL}	1.5	—	1.5	—	1.5	—	1.5	—	1.5	—	ns	
Clock Low Pulse Width	t_{KLKH}	1.5	—	1.5	—	1.5	—	1.5	—	1.5	—	ns	
Clock to Output Valid	t_{KHQV}	—	2.1	—	2.25	—	2.5	—	3.0	—	3.0	ns	1
Address Setup Time	t_{AVKH}	0.4	—	0.4	—	0.5	—	0.5	—	0.5	—	ns	4
Address Hold Time	t_{KHAX}	0.75	—	0.75	—	1.0	—	1.0	—	1.0	—	ns	
Sync Select Setup Time	t_{SVKH}	0.5	—	0.5	—	0.5	—	0.5	—	0.5	—	ns	
Sync Select Hold Time	t_{KHSX}	1.0	—	1.0	—	1.0	—	1.0	—	1.0	—	ns	
Write Enables Setup Time	t_{WVKH}	0.5	—	0.5	—	0.5	—	0.5	—	0.5	—	ns	
Write Enables Hold Time	$t_{KH WX}$	1.0	—	1.0	—	1.0	—	1.0	—	1.0	—	ns	
Data In Setup Time	t_{DVKH}	0.5	—	0.5	—	0.5	—	0.5	—	0.5	—	ns	
Data In Hold Time	t_{KHDX}	0.75	—	0.75	—	1.0	—	1.0	—	1.0	—	ns	
Data Out Hold Time	t_{KHQX}	0.5	—	0.5	—	0.5	—	1.0	—	1.0	—	ns	1, 3, 4
Clock High to Output High-Z	t_{KHQZ}	—	2.25	—	2.25	—	2.5	—	3.0	—	3.5	ns	1
Clock High to Output Active	t_{KHQX4}	0.5	—	0.5	—	0.5	—	0.7	—	0.7	—	ns	1
Output Enable to High-Z	t_{GHQZ}	—	2.0	—	2.0	—	2.5	—	2.5	—	3.5	ns	1
Output Enable to Low-Z	t_{GLQX}	0.3	—	0.3	—	0.3	—	0.3	—	0.3	—	ns	1
Output Enable to Output Valid	t_{GLQV}	—	2.0	—	2.0	—	2.5	—	2.5	—	3.5	ns	1
Output Enable Set-up Time	t_{GHKH}	0.5	—	0.5	—	0.5	—	0.5	—	0.5	—	ns	2
Output Enable Hold Time	t_{KHGX}	1.3	—	1.3	—	1.5	—	1.5	—	1.5	—	ns	2
Output Enable Pulse High	t_{GHGL}	1.75	—	1.75	—	2.0	—	2.5	—	2.5	—	ns	2
Sleep Mode Recovery Time	t_{ZZR}	200	—	200	—	200	—	200	—	200	—	ns	
Sleep Mode Enable Time	t_{ZZE}	—	8.0	—	8.0	—	10.0	—	12.0	—	14.0	ns	

1. See AC Test Loading figure on page 11.
2. Output Driver Impedance update specifications for \bar{G} induced updates. Write and Deselect cycles will also induce Output Driver updates during High-Z.
3. For 4 and 4N sorts, this spec is guaranteed by design to 0.7ns. Tested at 0.7ns.
4. For 4 and 4N sorts, this spec is guaranteed by design to 0.4ns. Tested at 0.3ns

Timing Diagram (Read and Deselect Cycles)



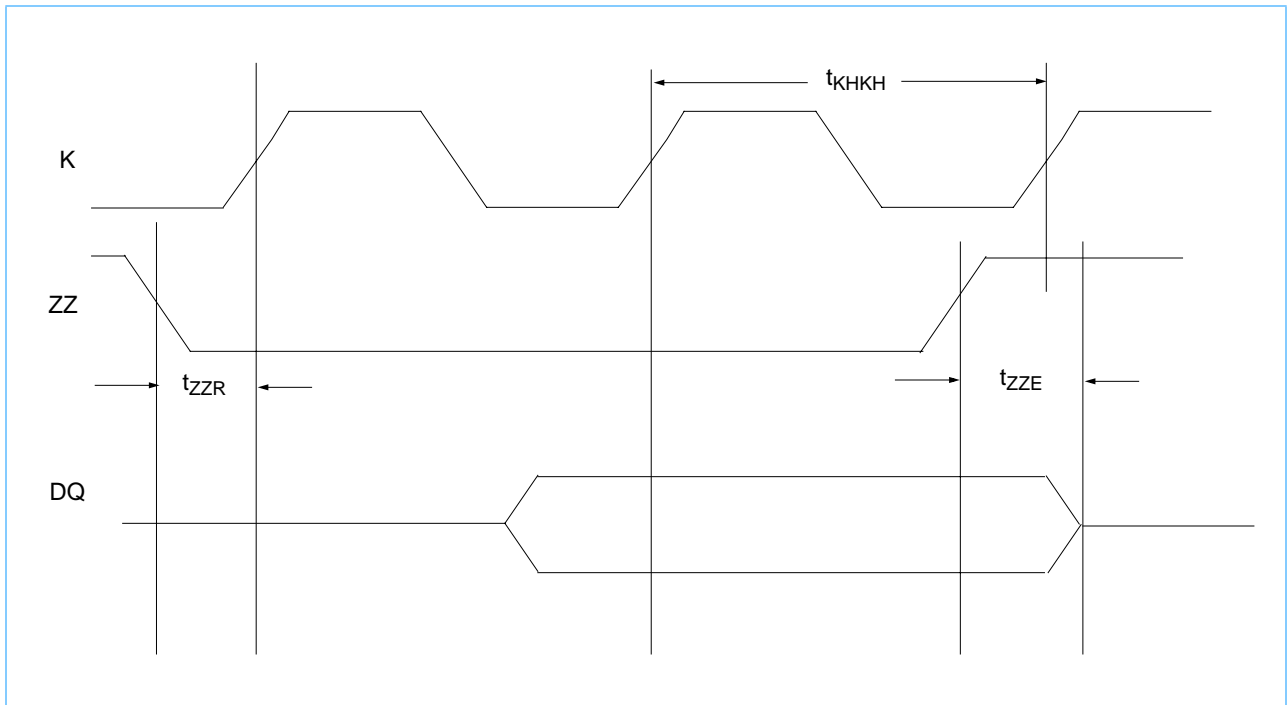
Timing Diagram (Read and Write Cycles)



NOTES:

1. D2 is the input data written in memory location A2.
2. Q2 is output data read from the write buffer, as a result of address A2 being a match from the last write cycle address.

Timing Diagram (Sleep Mode)



IEEE 1149.1 TAP and Boundary Scan

The SRAM provides a limited set of JTAG functions intended to test the interconnection between SRAM I/Os and printed circuit board traces or other components. There is no multiplexer in the path from I/O pins to the RAM core.

In conformance with IEEE std. 1149.1, the SRAM contains a TAP controller, Instruction register, Boundary Scan register, Bypass register, and ID register.

The TAP controller has a standard 16-state machine that resets internally upon power up; therefore, TRST signal is not required.

Signal List

- TCK: Test Clock
- TMS: Test Mode Select
- TDI: Test Data In
- TDO: Test Data Out

Caution: TCK, TMS, TDI inputs must be biased to a valid logic level, even if JTAG is not used.

JTAG Recommended DC Operating Conditions ($T_A = 0$ to 70°C)

Parameter	Symbol	Min.	Max.	Units	Notes
JTAG Input High Voltage	V_{IH1}	2.2	$V_{DD}+0.3$	V	1
JTAG Input Low Voltage	V_{IL1}	-0.3	0.8	V	1
JTAG Output High Level	V_{OH1}	2.4	—	V	1, 2
JTAG Output Low Level	V_{OL1}	—	0.4	V	1, 3
JTAG Input Leakage Current ($V_{IN} = V_{SS}$ or V_{DD})	I_{JTAG}	—	+50	μA	4

1. All JTAG Inputs/Outputs are LVTTTL Compatible only.
 2. $I_{OH1} = -8\text{mA}$ at 2.4V.
 3. $I_{OL1} = +8\text{mA}$ at 0.4V.
 4. If JTAG is not used, signals TCK, TMS, and TDI may be left floating. These inputs are defaulted to V_{DD} .

JTAG AC Test Conditions ($T_A = 0$ to $+70^\circ\text{C}$, $V_{DD} = 3.3\text{V} -5\% + 10\%$)

Parameter	Symbol	Conditions	Units	Notes
Input Pulse High Level	V_{IH1}	3.0	V	
Input Pulse Low Level	V_{IL1}	0.0	V	
Input Rise Time	T_{R1}	2.0	ns	
Input Fall Time	T_{F1}	2.0	ns	
Input and Output Timing Reference Level		1.5	V	1

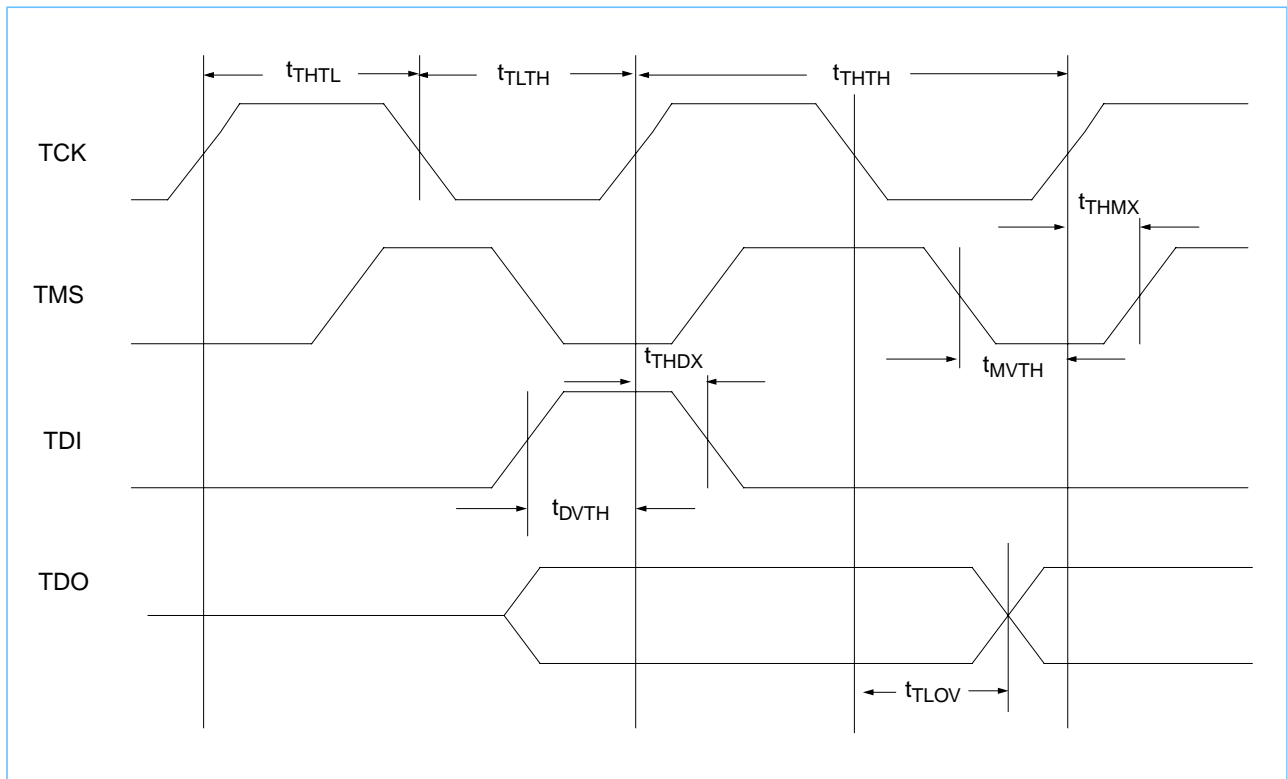
1. See AC Test Loading on page 11.

JTAG AC Characteristics ($T_A = 0$ to $+70^\circ\text{C}$, $V_{DD} = 3.3\text{V} -5\% + 10\%$)

Parameter	Symbol	Min.	Max.	Units	Notes
TCK Cycle Time	t_{THTH}	20	—	ns	
TCK High Pulse Width	t_{HTL}	7	—	ns	
TCK Low Pulse Width	t_{LTH}	7	—	ns	
TMS Setup	t_{MVTH}	4	—	ns	
TMS Hold	t_{THMX}	4	—	ns	
TDI Setup	t_{DVTH}	4	—	ns	
TDI Hold	t_{THDX}	4	—	ns	
TCK Low to Valid Data	t_{TLOV}	—	7	ns	1

1. See AC Test Loading on page 11.

JTAG Timing Diagram



Scan Register Definition

Register Name	Bit Size x18	Bit Size x36
Instruction	3	3
Bypass	1	1
ID	32	32
Boundary Scan *	51	70

* The Boundary Scan chain consists of the following bits:

- 36 or 18 bits for Data Inputs depending on X18 or X36 Configuration
- 15 bits for SA0 - SA14 for X36, 16 bits for SA0 - SA15 for X18
- 4 bits for SBW_a - SBW_d in X36, 2 bits for SBW_a and SBW_b in X18
- 9 bits for K, \bar{K} , ZQ, \bar{SS} , \bar{G} , SW, ZZ, M1 and M2
- 6 bits for Place Holders

* K and \bar{K} clocks connect to a differential receiver that generates a single-ended clock signal. This signal and its inverted value are used for Boundary Scan sampling.

ID Register Definition

Part	Field Bit Number and Description				
	Revision Number (31:28)	Device Density and Configuration (27:18)	Vendor Definition (17:12)	Manufacture JEDEC Code (11:1)	Start Bit(0)
64K x 18	0001	001 000 0011	TBD	000 101 001 00	1
32K x 36	0001	000 110 0100	TBD	000 101 001 00	1

Instruction Set

Code	Instruction	Notes
000	SAMPLE-Z	1, 5
001	IDCODE	
010	SAMPLE-Z	1, 5
011	PRIVATE	6
100	SAMPLE	4, 5
101	PRIVATE	6
110	PRIVATE	6
111	BYPASS	3

1. Places DQs in High-Z in order to sample all input data regardless of other SRAM inputs.
2. TDI is sampled as an input to the first ID register to allow for the serial shift of the external TDI data.
3. BYPASS register is initiated to V_{SS} when BYPASS instruction is invoked. The BYPASS register also holds the last serially loaded TDI when exiting the Shift DR state.
4. SAMPLE instruction does not place DQs in High-Z.
5. SRAM must not be in Sleep mode (ZZ = H) when SAMPLE-Z or SAMPLE instructions are invoked.
6. This instruction is reserved for the exclusive use of IBM. Invoking this instruction will cause improper SRAM functionality.

List of IEEE 1149.1 standard violations:

- 7.2.1.b, e
- 7.7.1.a-f
- 10.1.1.b, e
- 10.7.1.a-d



Boundary Scan Order (x36) (PH =Place Holder)

Exit Order	Signal	Bump #	Exit Order	Signal	Bump #	Exit Order	Signal	Bump #
1	M2	5R	25	DQ15	6F	49	DQ22	2H
2	SA0	4P	26	DQ16	7E	50	DQ26	1H
3	SA12	4T	27	DQ11	6E	51	$\overline{\text{SBWc}}$	3G
4	SA10	6R	28	DQ12	7D	52	ZQ	4D
5	SA11	5T	29	DQ17	6D	53	$\overline{\text{SS}}$	4E
6	ZZ	7T	30	SA3	6A	54	PH ¹	4G
7	DQ0	6P	31	SA2	6C	55	PH ²	4H
8	DQ5	7P	32	SA5	5C	56	$\overline{\text{SW}}$	4M
9	DQ6	6N	33	SA4	5A	57	$\overline{\text{SBWd}}$	3L
10	DQ1	7N	34	PH ¹	6B	58	DQ27	1K
11	DQ2	6M	35	PH ¹	5B	59	DQ31	2K
12	DQ7	6L	36	PH ¹	3B	60	DQ32	1L
13	DQ3	7L	37	PH ¹	2B	61	DQ28	2L
14	DQ4	6K	38	SA7	3A	62	DQ33	2M
15	DQ8	7K	39	SA6	3C	63	DQ34	1N
16	$\overline{\text{SBWa}}$	5L	40	SA9	2C	64	DQ29	2N
17	$\overline{\text{K}}$	4L	41	SA8	2A	65	DQ30	1P
18	K	4K	42	DQ18	2D	66	DQ35	2P
19	$\overline{\text{G}}$	4F	43	DQ23	1D	67	SA13	3T
20	$\overline{\text{SBWb}}$	5G	44	DQ24	2E	68	SA14	2R
21	DQ9	7H	45	DQ19	1E	69	SA1	4N
22	DQ13	6H	46	DQ20	2F	70	M1	3R
23	DQ14	7G	47	DQ25	2G			
24	DQ10	6G	48	DQ21	1G			

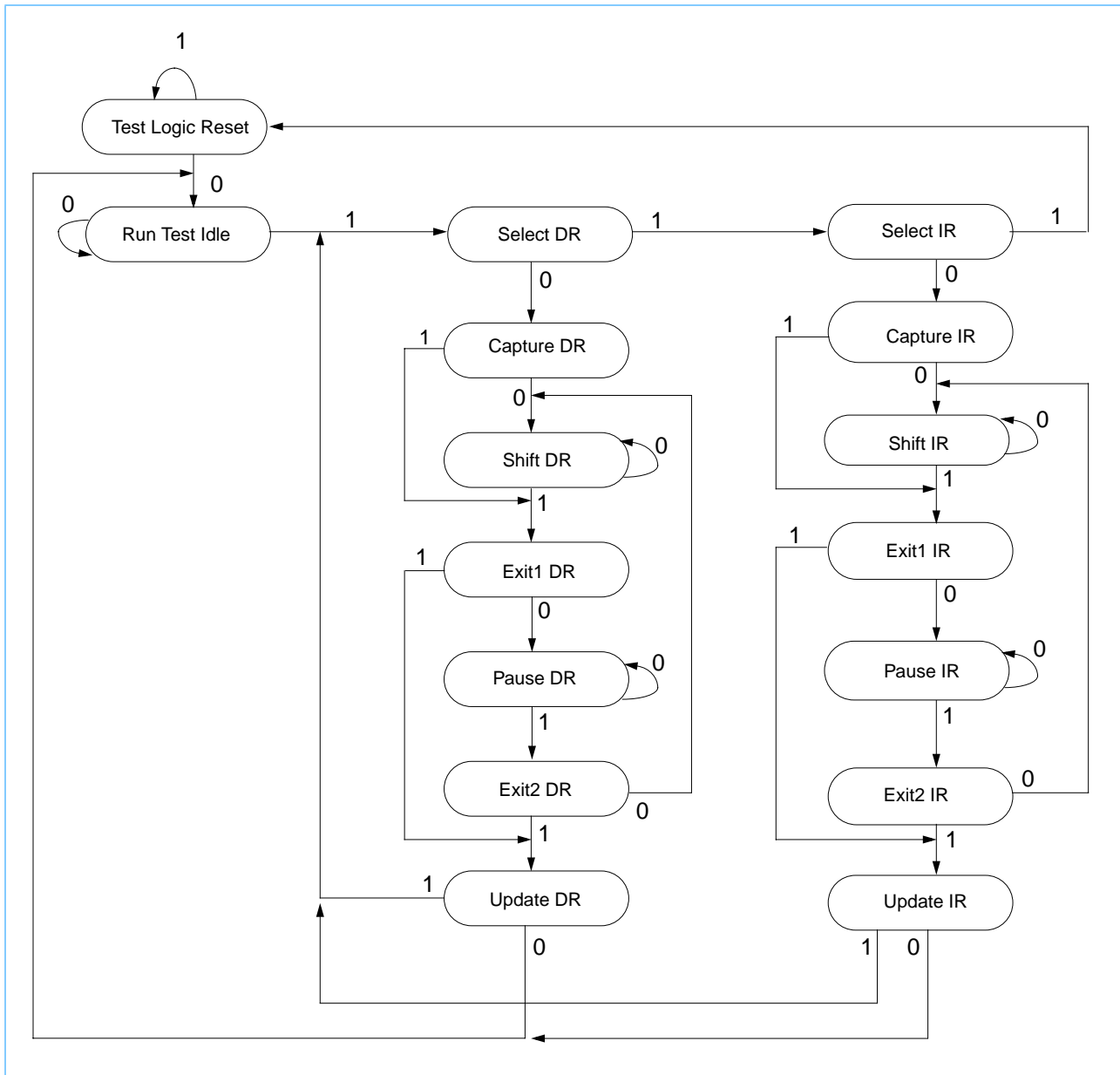
1. Input of PH register connected to V_{SS}.
2. Input of PH register connected to V_{DD}.

Boundary Scan Order (x18) (PH =Place Holder)

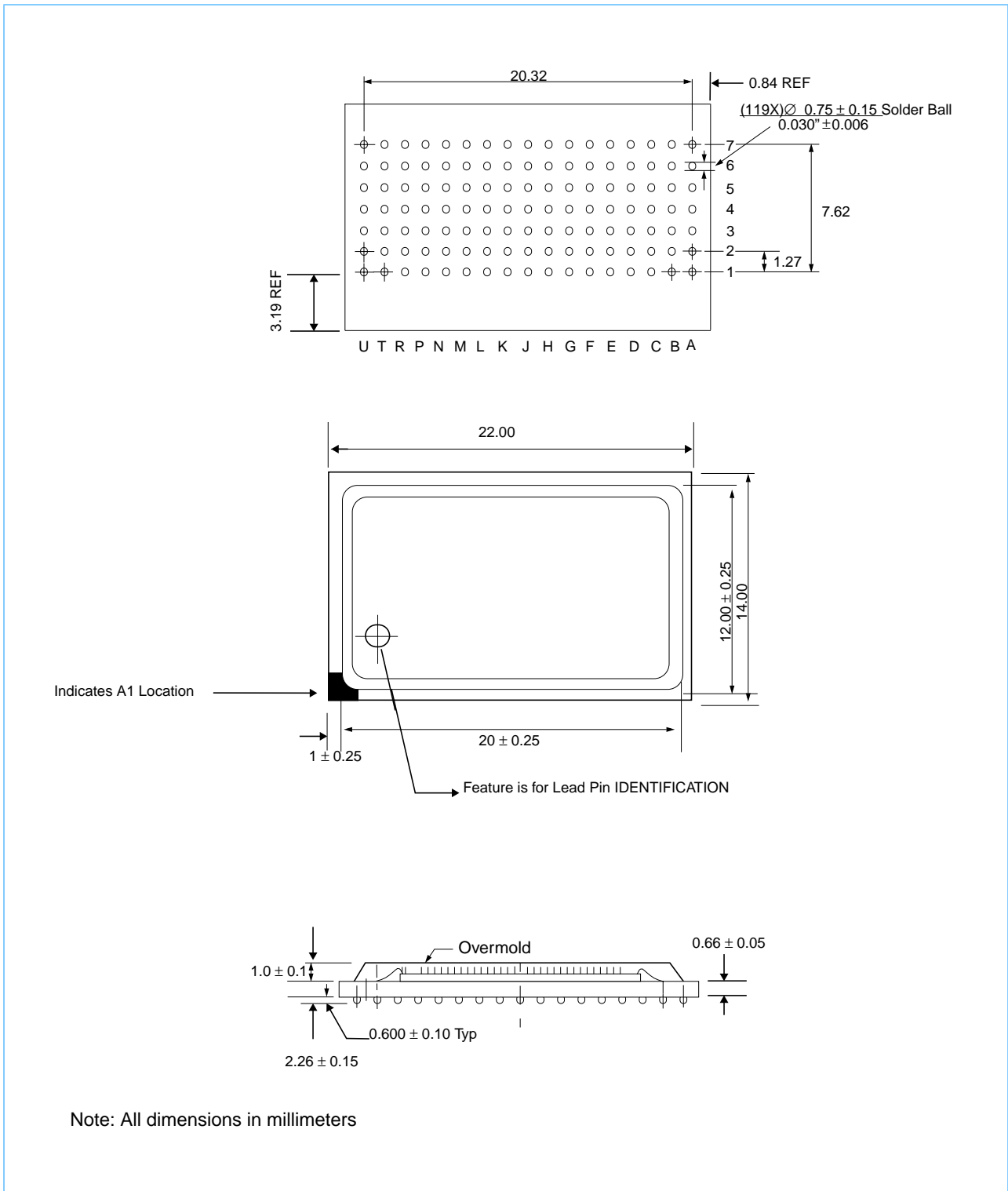
Exit Order	Signal	Bump #	Exit Order	Signal	Bump #
1	M2	5R	27	PH ¹	2B
2	SA10	6T	28	SA7	3A
3	SA0	4P	29	SA6	3C
4	SA11	6R	30	SA9	2C
5	SA12	5T	31	SA8	2A
6	ZZ	7T	32	DQ9	1D
7	DQ0	7P	33	DQ10	2E
8	DQ1	6N	34	DQ11	2G
9	DQ2	6L	35	DQ12	1H
10	DQ3	7K	36	$\overline{\text{SBWb}}$	3G
11	$\overline{\text{SBWa}}$	5L	37	ZQ	4D
12	$\overline{\text{K}}$	4L	38	$\overline{\text{SS}}$	4E
13	K	4K	39	PH ¹	4G
14	$\overline{\text{G}}$	4F	40	PH ²	4H
15	DQ4	6H	41	$\overline{\text{SW}}$	4M
16	DQ5	7G	42	DQ13	2K
17	DQ6	6F	43	DQ14	1L
18	DQ7	7E	44	DQ15	2M
19	DQ8	6D	45	DQ16	1N
20	SA3	6A	46	DQ17	2P
21	SA2	6C	47	SA14	3T
22	SA5	5C	48	SA15	2R
23	SA4	5A	49	SA1	4N
24	PH ¹	6B	50	SA13	2T
25	PH ¹	5B	51	M1	3R
26	PH ¹	3B			

1. Input of PH register connected to V_{SS}.
2. Input of PH register connected to V_{DD}.

TAP Controller State Machine



7 x 17 BGA Dimensions





Revision Log

Revision	Contents of Modification
3/96	Initial release of the 32K x 36 & 64K x 18 (4/5/6) BGA PIPELINE Application Spec.
4/96	Add OEM P/Ns.
7/96	C_{IN} (3->4pF), C_{OUT} (4->5pF), Input leakage conditions ($V_{IN} = V_{DD}$ -> V_{IH-max}), Output leakage current conditions ($V_{OUT} = V_{DD}$ -> V_{DDQ}), AC Input levels($V_{IL} = 0$ ->0.25V, $V_{IH} = 1.5$ ->1.25V), Diff Clk Voltage ($V_{DIF-CLK} = 0.75$ ->1.0V).
12/96	<u>Add Caution on page 14:</u> <u>TCK, TMS, TDI inputs must be biased to a valid logic level, even if JTAG is not used</u> <u>See AC Characteristics on page 11:</u> 1) $t_{GHQZ} = 1.75$ -> 2.0ns. 2) $t_{GLQV} = 1.75$ -> 2.0ns. 3) $t_{ZZE} = 4$ -> 8ns, 5 -> 10ns, 6 -> 12ns.
2/97	Corrected part numbers.
6/97	<u>See AC Characteristics on page 11:</u> 1) Add 7ns sort. 2) $t_{KHAX} = 1.0$ -> 0.75ns for 4N ns sort 3) $t_{KHDX} = 1.0$ -> 0.75ns for 4N ns sort.
9/97	<u>See AC Characteristics on page 11:</u> 1) For sorts 6 and 7, $T_{KHQX} = 1.0$ and is guaranteed by test. 2) $t_{GLQX} = 0.5$ -> 0.3ns.
10/98	Change Revision A to Revision B. See AC Characteristics on page 11: 1) Add 4ns sort. 2) Change JTAG ID Register Definition on page 18.



© International Business Machines Corp.1998

Printed in the United States of America
All rights reserved

IBM and the IBM logo are registered trademarks of the IBM Corporation.

This document may contain preliminary information and is subject to change by IBM without notice. IBM assumes no responsibility or liability for any use of the information contained herein. Nothing in this document shall operate as an express or implied license or indemnity under the intellectual property rights of IBM or third parties. The products described in this document are not intended for use in implantation or other direct life support applications where malfunction may result in direct physical harm or injury to persons. **NO WARRANTIES OF ANY KIND, INCLUDING, BUT NOT LIMITED TO, THE IMPLIED WARRANTIES OF MERCHANTABILITY OR FITNESS FOR A PARTICULAR PURPOSE, ARE OFFERED IN THIS DOCUMENT.**

For more information contact your IBM Microelectronics sales representative or visit us on World Wide Web at <http://www.chips.ibm.com>

IBM Microelectronics manufacturing is ISO 9000 compliant.