

FM RADIO BAND TUNING APPLICATION.

FEATURES

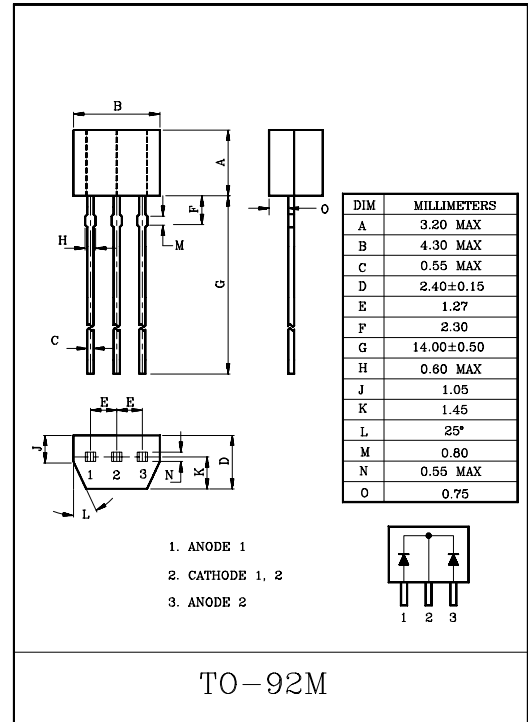
- Low r_s : $r_s=0.3\Omega$ (Typ.).
- Small Package.

MAXIMUM RATINGS ($T_a=25^\circ\text{C}$)

CHARACTERISTIC	SYMBOL	RATING	UNIT
Reverse Voltage	V_R	15	V
Junction Temperature	T_j	150	$^\circ\text{C}$
Storage Temperature Range	T_{stg}	-55~150	$^\circ\text{C}$

CLASSIFICATION OF CAPACITANCE GRADE

GRADE	CAPACITANCE (C_{2V})	UNIT
A	34.0~35.5	pF
B	35.0~36.5	
C	36.0~37.5	
D	37.0~38.5	
E	38.0~39.5	



ELECTRICAL CHARACTERISTICS ($T_a=25^\circ\text{C}$)

CHARACTERISTIC	SYMBOL	TEST CONDITION	MIN.	TYP.	MAX.	UNIT
Reverse Voltage	V_R	$I_R=10\mu\text{A}$	15	-	-	V
Reverse Current	I_R	$V_R=15\text{V}$	-	-	50	nA
Capacitance	C_{2V}	$V_R=2\text{V}, f=1\text{MHz}$	34.0	-	39.5	pF
	C_{8V}	$V_R=8\text{V}, f=1\text{MHz}$	11.7	-	13.7	
Capacitance Ratio	C_{2V}/C_{8V}		2.7	2.95	3.2	
Series Resistance	r_s	$C=30\text{pF}, f=50\text{MHz}$	-	0.3	0.5	Ω

Note : r_s test circuit

