

57LE Series



Device connectors for GP-IB Ordering Information

Unit:mm(inch)

57LE - 20 24 0-7 7 0 0 D35 E

CONNECTOR STYLE

20 : Receptacle,
less spring latches

No. OF CONTACTS

14, 24, 36, 50

CONTACT PLATING

1 : 0.8 μ m(30 μ) Gold over Nickel
Tail.....Gold flash over Nickel
2 : 0.4 μ m(15 μ) Gold over Nickel
Tail.....Gold flash over Nickel
6 : 0.8 μ m(30 μ) Gold over Nickel
Tail.....Solder plating
7 : 0.4 μ m(15 μ) Gold over Nickel
Tail.....Solder plating

TAIL LENGTH

3 : 3.2mm(.126)
7 : 4.75mm(.187)···(standard)

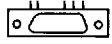

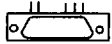

GROUND TAB

No designation : less ground tab
E : with 57L-006 ground tab
G : with 57L-009A ground tab
-19 : with 57L-012A ground tab

DEVIATION

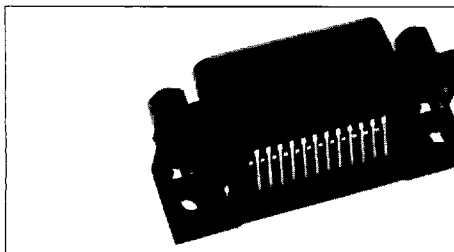
D35 : with jack socket

MOUNTING STYLE/INSULATOR COLOR

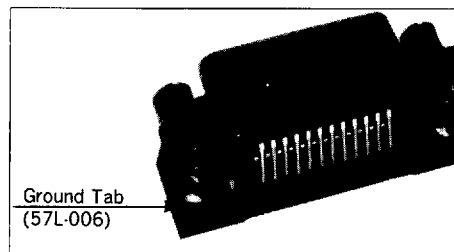
O :  /Blue···(standard)
R :  /Blue
B :  /Black
C :  /Black

COVER

O : less cover
C : with cover

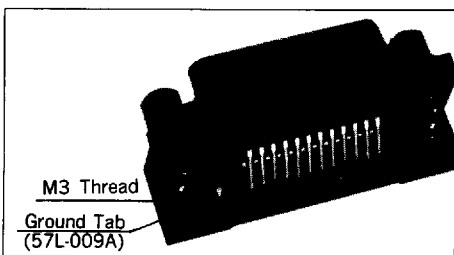


less ground tab



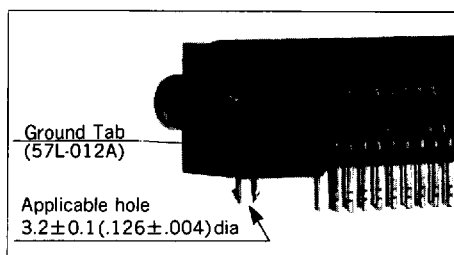
Ground Tab
(57L-006)

with 57L-006 ground tab



M3 Thread
Ground Tab
(57L-009A)

with 57L-009A ground tab



Ground Tab
(57L-012A)

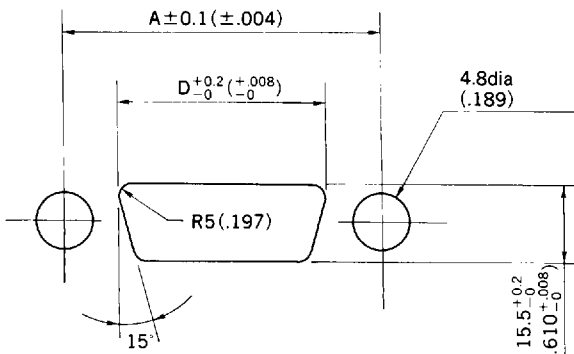
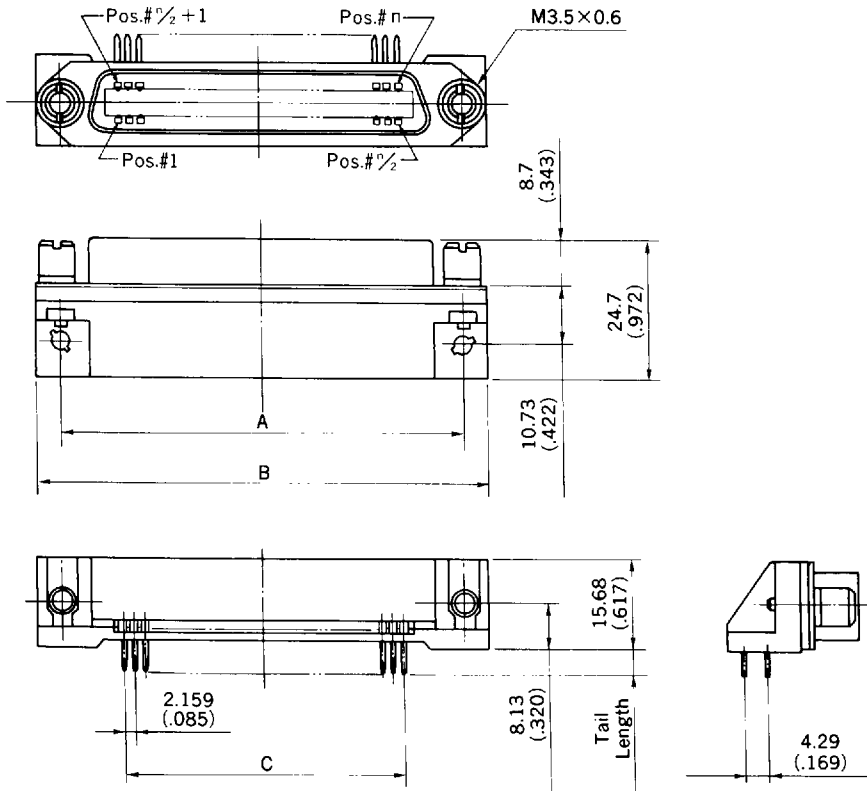
Applicable hole
3.2 \pm 0.1(.126 \pm .004) dia

with 57L-012A ground tab

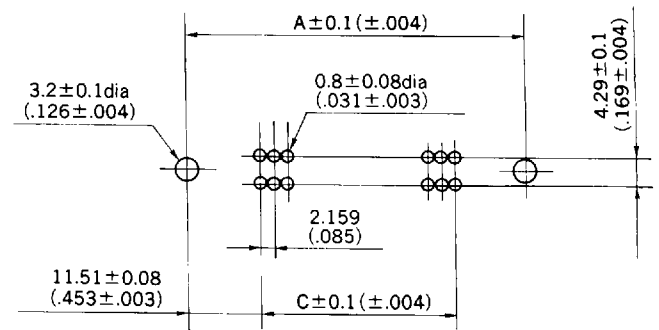
57LE Series



Unit:mm(inch)



Panel cut out dimensions
Thickness = 1.0mm (.039)



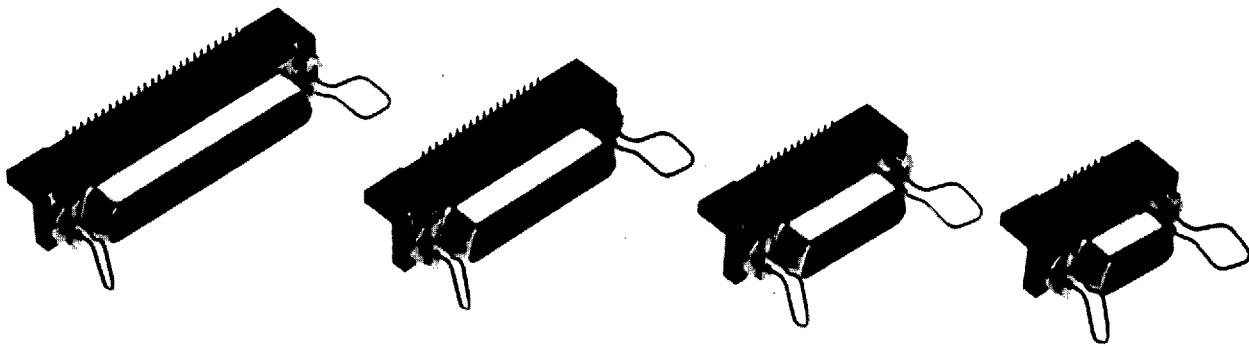
PCB mounting dimensions

NO. OF CONT'S	A	B	C	D
14	36.00 (1.417)	44.00 (1.732)	12.96 (.510)	29.3 (1.154)
24	46.78 (1.842)	54.78 (2.157)	23.76 (.935)	40.1 (1.579)
36	59.74 (2.352)	67.74 (2.667)	36.72 (1.446)	53.0 (2.087)
50	74.85 (2.947)	82.85 (3.262)	51.84 (2.041)	68.2 (2.685)

57LE Series



Right angle solder dip connectors EMI/RFI shielding version



FEATURES

- Highly-reliable, scoop-proof cantilever contact design
- Intermateable with 57 family connectors
- UL recognized (File No. E72124)

SPECIFICATIONS

Rated voltage500V AC(r.m.s.)
Rated current3A/contact
Dielectric withstanding1200V AC(r.m.s.)
voltage 1 minute
Insulation resistance1000M Ω min.
at 500V DC
Contact resistance35m Ω max.

MATERIAL/FINISH

Contact.....Copper alloy/
Gold over Nickel plate
ShellBrass/Nickel plate
InsulatorPBT resin (UL94V-0)
Spring latch.....Stainless steel