

W24L011A



128K ´ 8 HIGH SPEED CMOS STATIC RAM

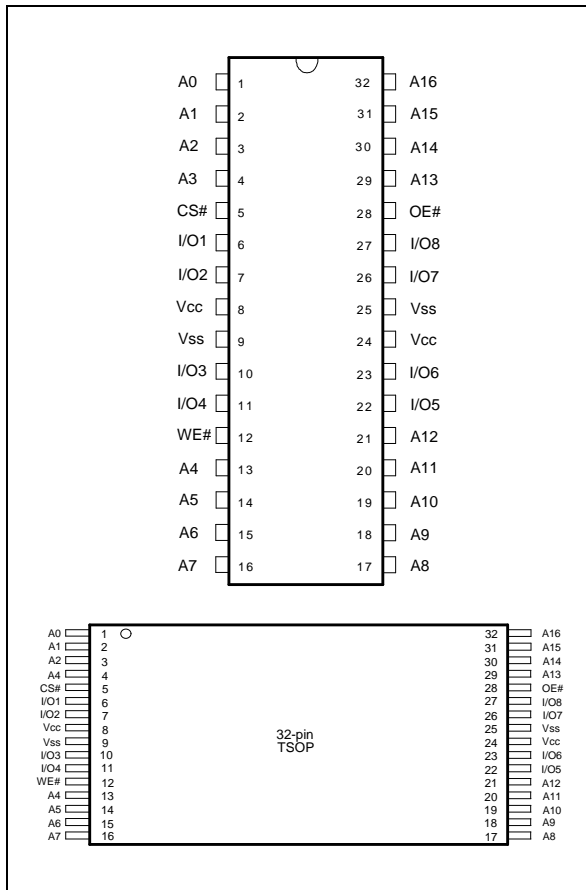
GENERAL DESCRIPTION

The W24L011A is a high speed, low power CMOS static RAM organized as 131072 x 8 bits that operates on a single 3.3-volt power supply. This device is manufactured using Winbond's high performance CMOS technology.

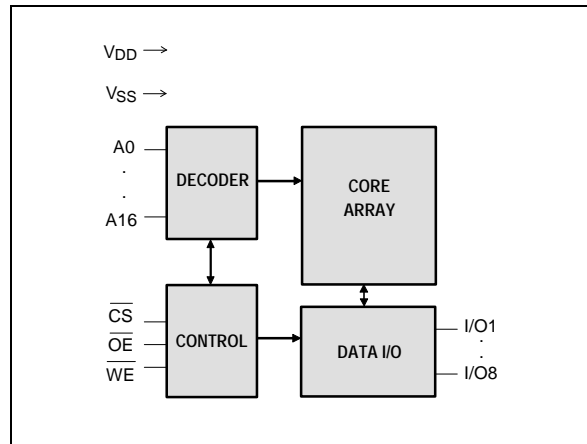
FEATURES

- High speed access time: 10/12/15 nS
- Single +3.3V power supply
- Center power/ground pin configuration
- Fully static operation
- All inputs and outputs directly TTL compatible
- Three-state outputs
- Available packages: 32-pin 300 mil SOJ, Small TSOP-I (8 x 13.4 mm), TSOP-I (8 x 20 mm) and 400 mil SOJ

PIN CONFIGURATIONS



BLOCK DIAGRAM



PIN DESCRIPTION

SYMBOL	DESCRIPTION
A0 – A16	Address Inputs
I/O1 – I/O8	Data Inputs/Outputs
\overline{CS}	Chip Select Inputs
\overline{WE}	Write Enable Input
\overline{OE}	Output Enable Input
VDD	Power Supply
VSS	Ground



TRUTH TABLE

CS	OE	WE	MODE	I/O1 - I/O8	V _{DD} CURRENT
H	X	X	Not Selected	High Z	I _{SB} , I _{SB1}
L	H	H	Output Disable	High Z	I _{DD}
L	L	H	Read	Data Out	I _{DD}
L	X	L	Write	Data In	I _{DD}

DC CHARACTERISTICS

Absolute Maximum Ratings

PARAMETER	RATING	UNIT
Supply Voltage to V _{SS} Potential	-0.5 to +4.6	V
Input/Output to V _{SS} Potential	-0.5 to V _{DD} +0.5	V
Allowable Power Dissipation	1.0	W
Storage Temperature	-65 to +150	°C
Operating Temperature	0 to +70	°C

Note: Exposure to conditions beyond those listed under Absolute Maximum Ratings may adversely affect the life and reliability of the device.

Operating Characteristics

(V_{DD} = 3.3V ±5%, V_{SS} = 0V, T_A = 0 to 70° C)

PARAMETER	SYM.	TEST CONDITIONS	MIN.	TYP.	MAX.	UNIT	
Input Low Voltage	V _{IL}	-	-0.5	-	0.8	V	
Input High Voltage	V _{IH}	-	+2.0	-	V _{DD} +0.5	V	
Input Leakage Current	I _{LI}	V _{IN} = V _{SS} to V _{DD}	-10	-	+10	μA	
Output Leakage Current	I _{LO}	V _{I/O} = V _{SS} to V _{DD} , \overline{CS} = V _{IH} (min.) or \overline{OE} = V _{IH} (min.) or \overline{WE} = V _{IL} (max.)	-10	-	+10	μA	
Output Low Voltage	V _{OL}	I _{OL} = +8.0 mA	-	-	0.4	V	
Output High Voltage	V _{OH}	I _{OH} = -4.0 mA	2.4	-	-	V	
Operating Power	I _{DD}	\overline{CS} = V _{IL} (max.), I/O = 0 mA Cycle = min., Duty = 100%	10	-	-	130	mA
Supply Current			12	-	-	120	
			15	-	-	100	
Standby Power	I _{SB}	\overline{CS} = V _{IH} (min.)	-	-	15	mA	
Supply Current	I _{SB1}	\overline{CS} ≥ V _{DD} -0.2V	-	-	5	mA	

Note: Typical characteristics are at V_{DD} = 3.3V, T_A = 25° C.



CAPACITANCE

(VDD = 3.3V, TA = 25° C, f = 1 MHz)

PARAMETER	SYM.	CONDITIONS	MAX.	UNIT
Input Capacitance	CIN	VIN = 0V	8	pF
Input/Output Capacitance	C/I/O	VOUT = 0V	10	pF

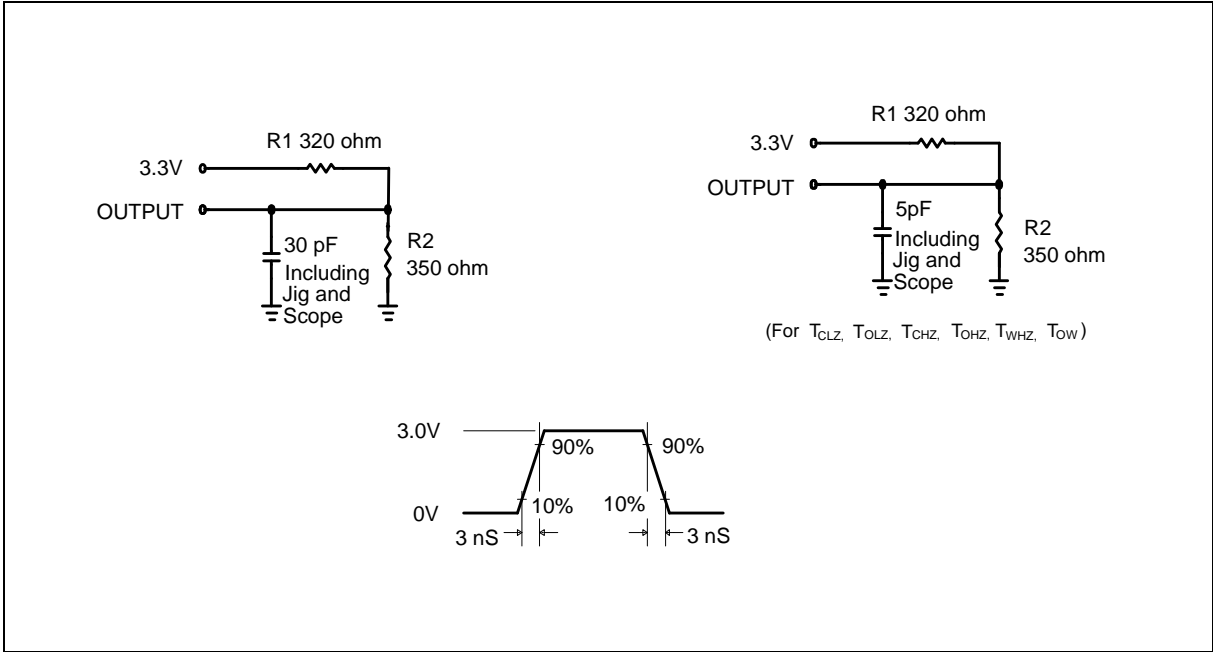
Note: These parameters are sampled but not 100% tested.

AC CHARACTERISTICS

AC Test Conditions

PARAMETER	CONDITIONS
Input Pulse Levels	0V to 3V
Input Rise and Fall Times	3 nS
Input and Output Timing Reference Level	1.5V
Output Load	CL = 30 pF, IOH/IOL = -4 mA/8 mA

AC Test Loads and Waveform





AC Characteristics, continued

(V_{DD} = 3.3V ±5%, V_{SS} = 0V, T_A = 0 to 70°)

Read Cycle

PARAMETER	SYM.	W24L011A-10		W24L011A-12		W24L011A-15		UNIT
		MIN.	MAX.	MIN.	MAX.	MIN.	MAX.	
Read Cycle Time	TRC	10	-	12	-	15	-	nS
Address Access Time	TAA	-	10	-	12	-	15	nS
Chip Select Access Time	TACS	-	10	-	12	-	15	nS
Output Enable to Output Valid	TAOE	-	5	-	6	-	8	nS
Chip Selection to Output in Low Z	TCLZ	3	-	3	-	-	3	nS
Output Enable to Output in Low Z	TOLZ*	0	-	0	-	-	-	nS
Chip Deselection to Output in High Z	TCHZ	-	5	-	6	-	8	nS
Output Disable to Output in High Z	TOHZ*	-	5	-	6	-	8	nS
Output Hold from Address Change	TOH	3	-	3	-	3	-	nS

* These parameters are sampled but not 100% tested.

Write Cycle

PARAMETER	SYM.	W24L011A-10		W24L011A-12		W24L011A-15		UNIT
		MIN.	MAX.	MIN.	MAX.	MIN.	MAX.	
Write Cycle Time	TWC	10	-	12	-	15	-	nS
Chip Selection to End of Write	TCW	9	-	10	-	12	-	nS
Address Valid to End of Write	TAW	9	-	10	-	12	-	nS
Address Setup Time	TAS	0	-	0	-	0	-	nS
Write Pulse Width	TWP	9	-	10	-	12	-	nS
Write Recovery Time	$\overline{\text{CS}}, \overline{\text{WE}}$ TWR	0	-	0	-	0	-	nS
Data Valid to End of Write	TDW	5	-	7	-	9	-	nS
Data Hold from End of Write	TDH	0	-	0	-	0	-	nS
Write to Output in High Z	TWHZ*	-	5	-	6	-	8	nS
Output Disable to Output in High Z	TOHZ*	-	5	-	6	-	8	nS
Output Active from End of Write	TOW	0	-	0	-	0	-	nS

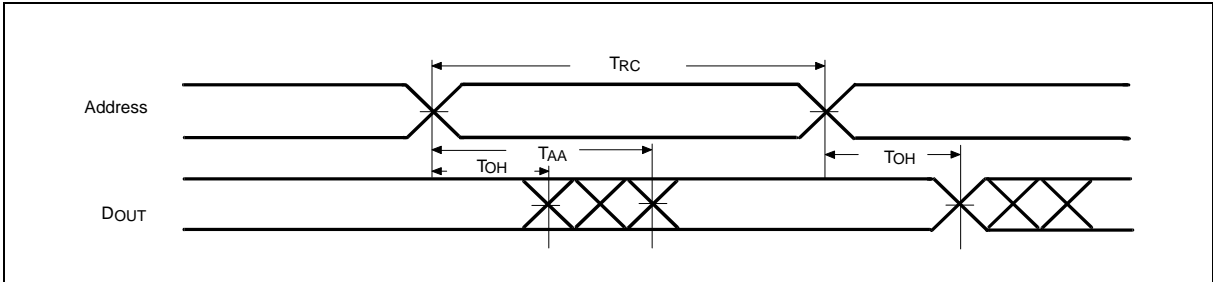
* These parameters are sampled but not 100% tested.



TIMING WAVEFORMS

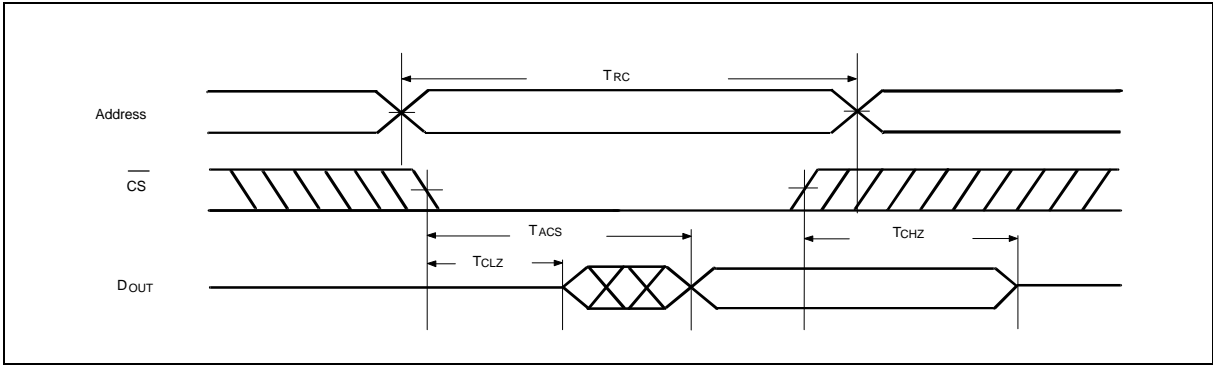
Read Cycle 1

(Address Controlled, $\overline{CS} = \overline{OE} = V_{IL}$, $\overline{WE} = V_{IH}$)



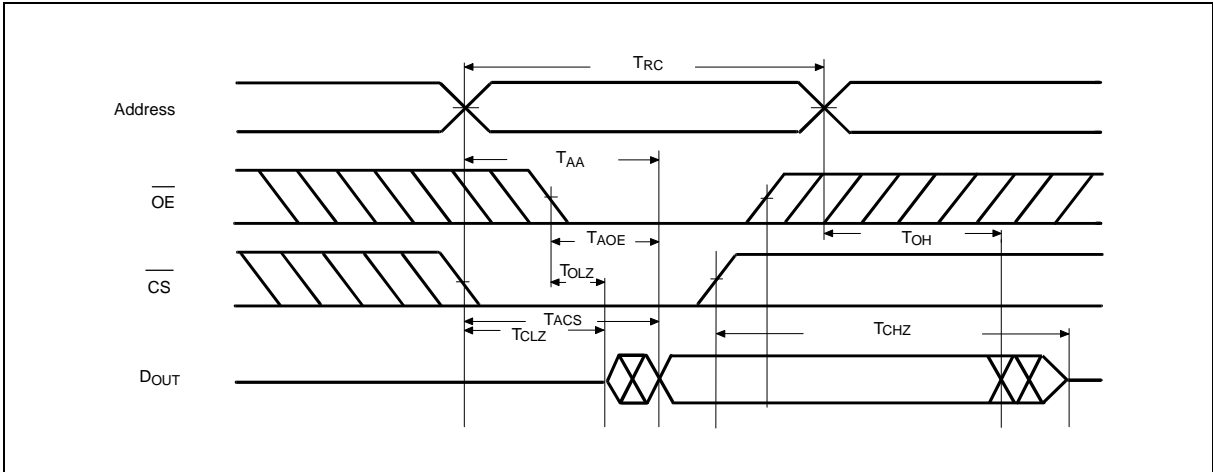
Read Cycle 2

(Chip Select Controlled)



Read Cycle 3

(Output Enable Controlled)

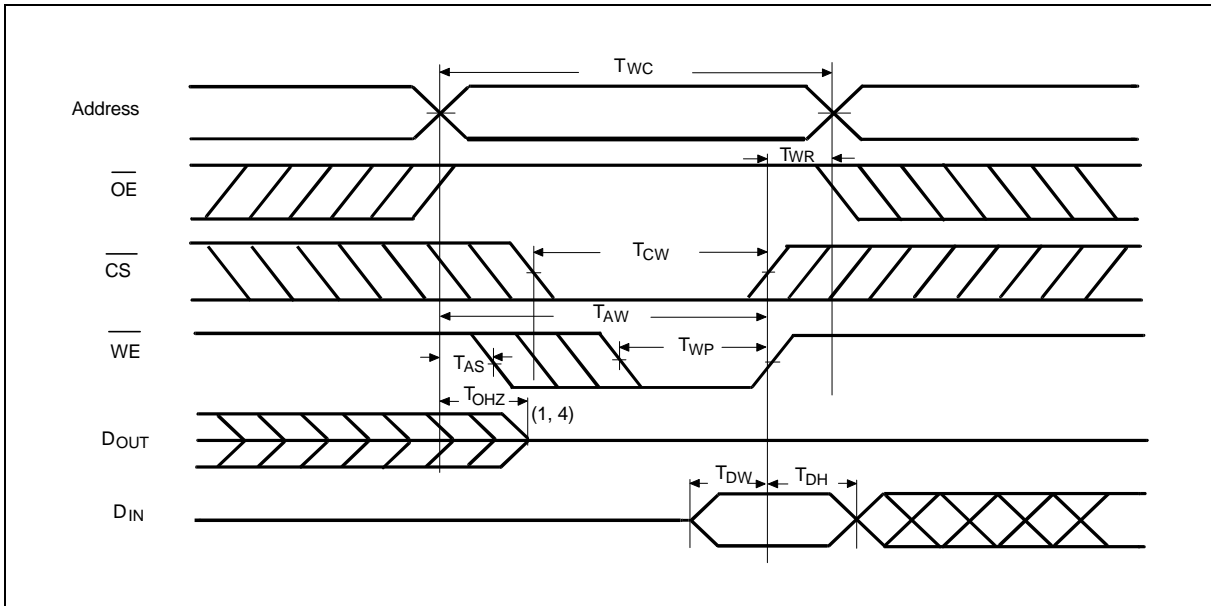




Timing Waveforms, continued

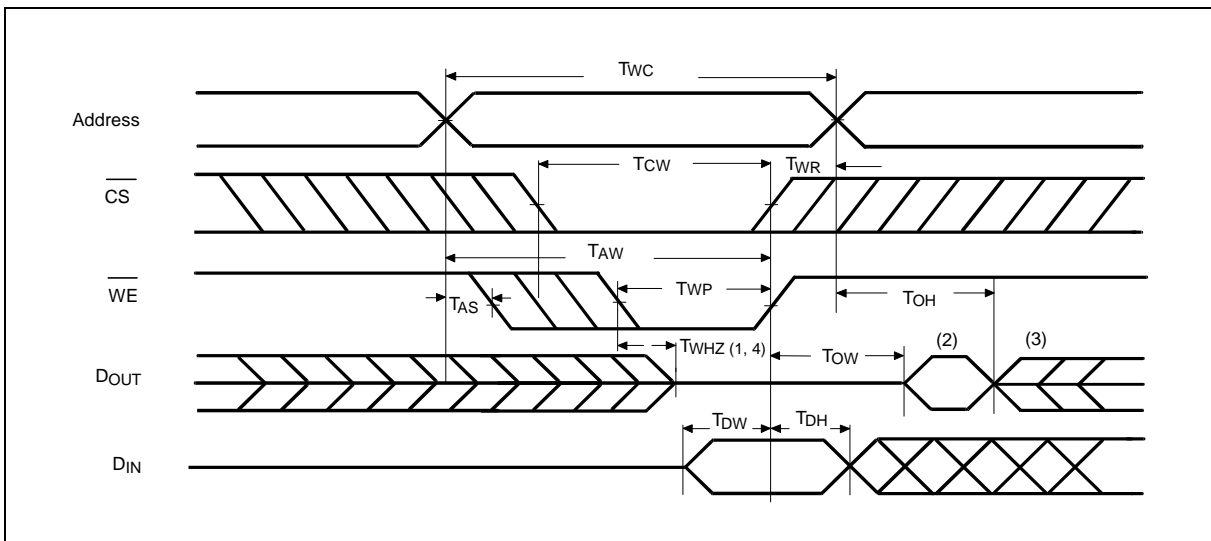
Write Cycle 1

($\overline{\text{OE}}$ Clock)



Write Cycle 2

($\overline{\text{OE}} = V_{IL}$ Fixed)



Notes:

1. During this period, I/O pins are in the output state, so input signals of opposite phase to the outputs should not be applied.
2. The data output from DOUT are the same as the data written to DIN during the write cycle.
3. DOUT provides the read data for the next address.
4. Transition is measured ± 200 mV from steady state with $C_L = 5$ pF. This parameter is guaranteed but not 100% tested.



ORDERING INFORMATION

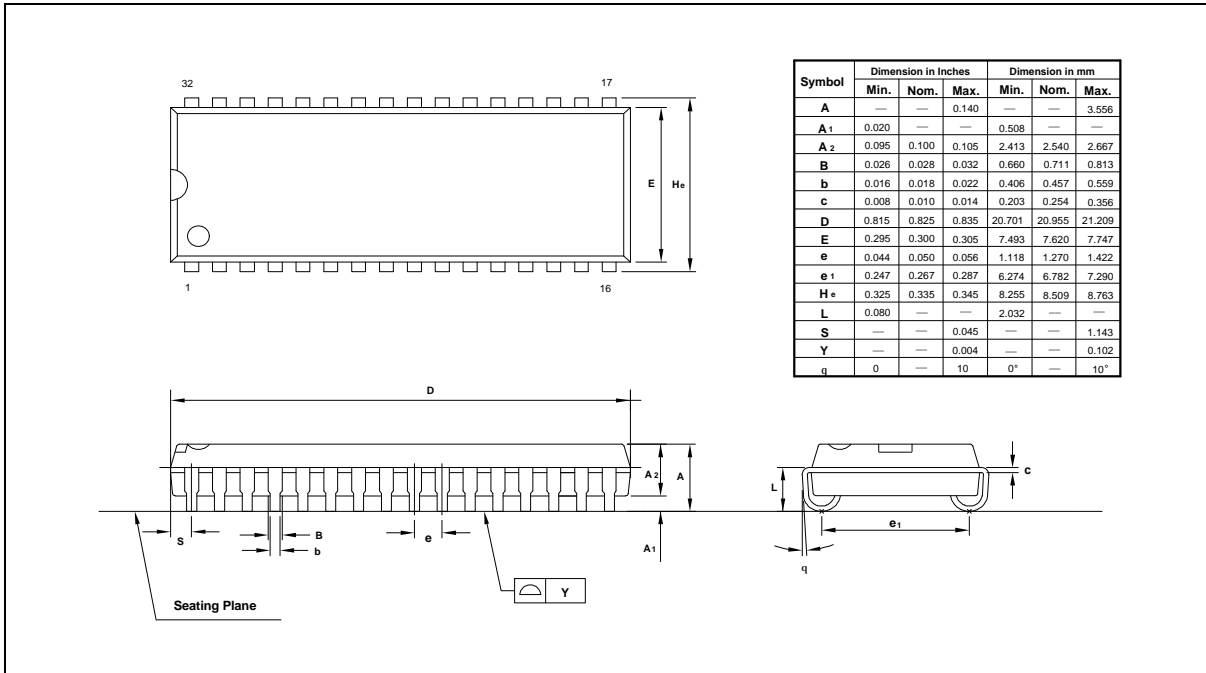
PART NO.	ACCESS TIME (nS)	OPERATING CURRENT MAX. (mA)	STANDBY CURRENT MAX. (mA)	OPERATION TEMPERATURE (°C)	PACKAGE
W24L011AJ-10	10	130	10	0 to +70	300 mil SOJ
W24L011AJ-12	12	120	10	0 to +70	300 mil SOJ
W24L011AJ-15	15	110	10	0 to +70	300 mil SOJ
W24L011AI-10	10	130	10	0 to +70	400 mil SOJ
W24L011AI-12	12	120	10	0 to +70	400 mil SOJ
W24L011AI-15	15	110	10	0 to +70	400 mil SOJ
W24L010AT-10	10	130	10	0 to +70	TSOP (8 x 20 mm)
W24L010AT-12	12	120	10	0 to +70	TSOP (8 x 20 mm)
W24L010AT-15	15	110	10	0 to +70	TSOP (8 x 20 mm)
W24L010AQ-10	10	130	10	0 to +70	TSOP (8 x 13.4 mm)
W24L010AQ-12	12	120	10	0 to +70	TSOP (8 x 13.4 mm)
W24L010AQ-15	15	110	10	0 to +70	TSOP (8 x 13.4 mm)

Notes:

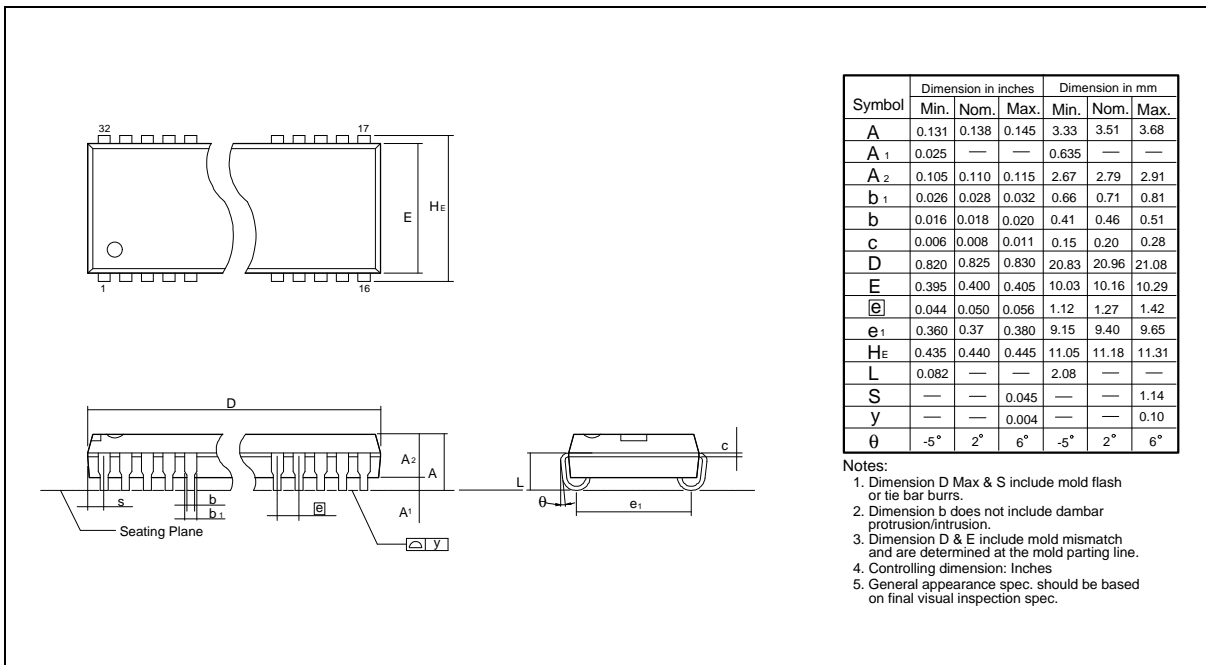
1. Winbond reserves the right to make changes to its products without prior notice.
2. Purchasers are responsible for performing appropriate quality assurance testing on products intended for use in applications where personal injury might occur as a consequence of product failure.

PACKAGE DIMENSIONS

32-pin SOJ (300 mil)

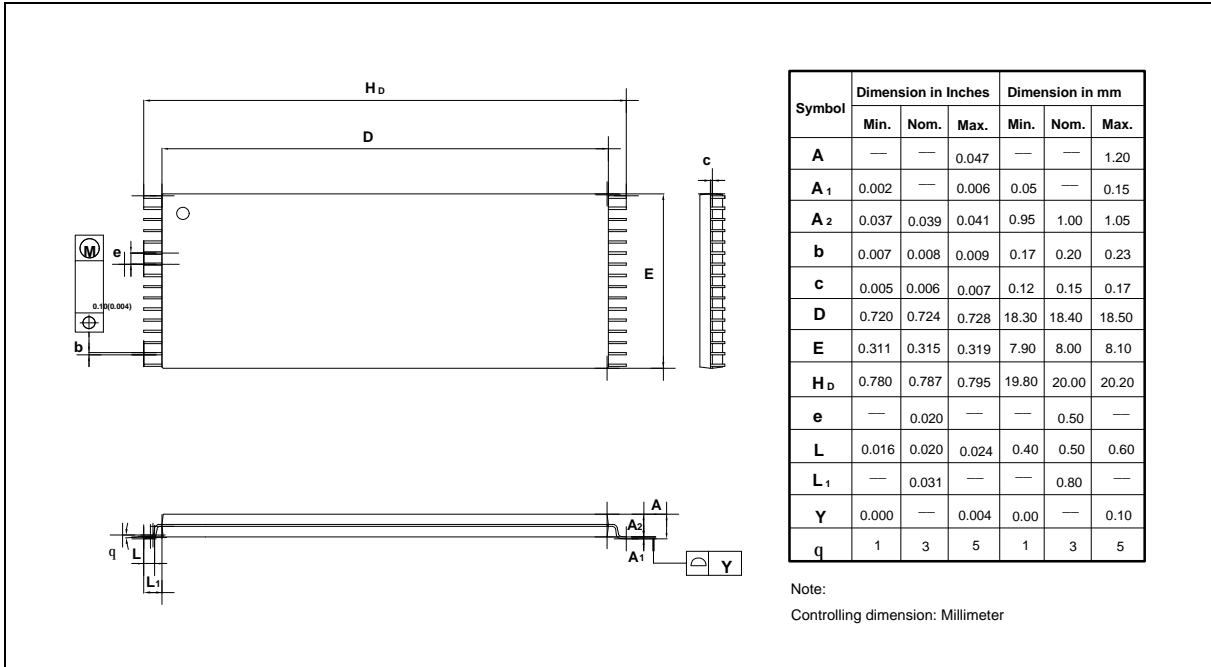


32-pin SOJ (400 mil)

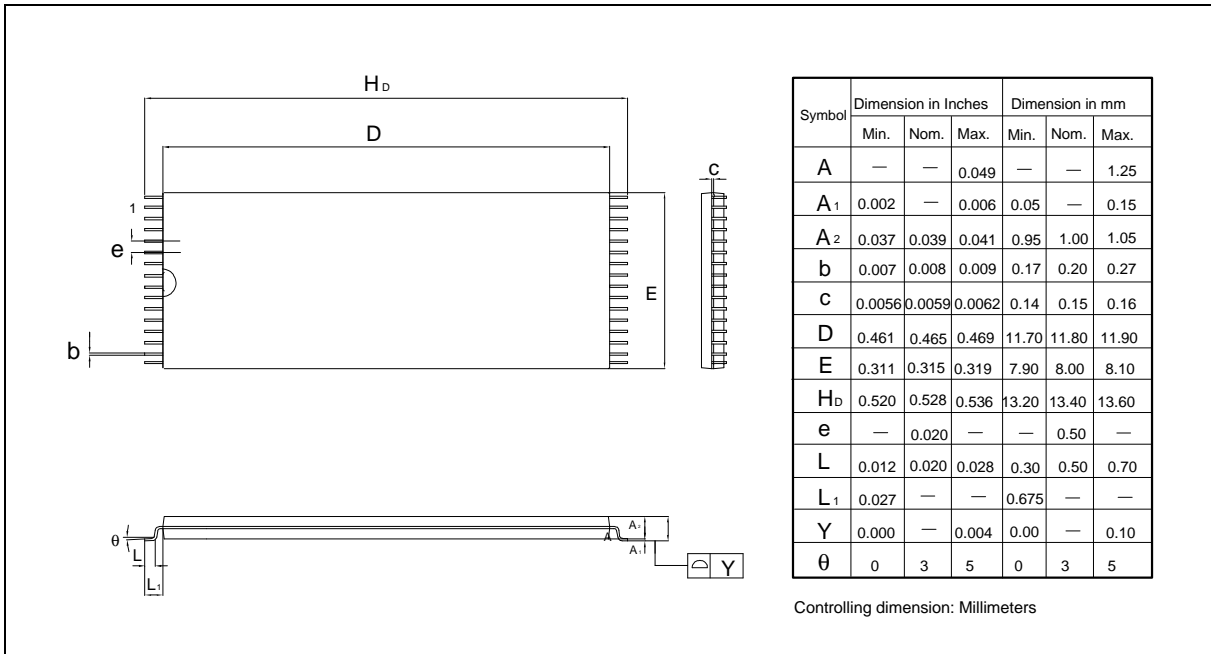


Package Dimensions, continued

32-pin TSOP



32-Lead Small Type One TSOP (8 x 13.4)





VERSION HISTORY

VERSION	DATE	PAGE	DESCRIPTION
A1	Aug. 1997	-	Initial Issued
A2	Aug. 1999	1, 2, 4, 7	Add 15 nS specification
A3	Apr. 26, 2002	1, 2, 7, 9	Add TSOP package and change (IDD, ISB & ISBC) current



Headquarters

No. 4, Creation Rd. III,
Science-Based Industrial Park,
Hsinchu, Taiwan
TEL: 886-3-5770066
FAX: 886-3-5665577
<http://www.winbond.com.tw/>

Taipei Office

9F, No.480, Rueiguang Rd.,
Neihu Chiu, Taipei, 114,
Taiwan, R.O.C.
TEL: 886-2-8177-7168
FAX: 886-2-8751-3579

Winbond Electronics Corporation America

2727 North First Street, San Jose,
CA 95134, U.S.A.
TEL: 1-408-9436666
FAX: 1-408-5441798

Winbond Electronics Corporation Japan

7F Daini-ueno BLDG, 3-7-18
Shinyokohama Kohoku-ku,
Yokohama, 222-0033
TEL: 81-45-4781881
FAX: 81-45-4781800

Winbond Electronics (Shanghai) Ltd.

27F, 2299 Yan An W. Rd. Shanghai,
200336 China
TEL: 86-21-62365999
FAX: 86-21-62365998

Winbond Electronics (H.K.) Ltd.

Unit 9-15, 22F, Millennium City,
No. 378 Kwun Tong Rd.,
Kowloon, Hong Kong
TEL: 852-27513100
FAX: 852-27552064

*Please note that all data and specifications are subject to change without notice.
All the trade marks of products and companies mentioned in this data sheet belong to their respective owners.*