

SERIES 6210/6212

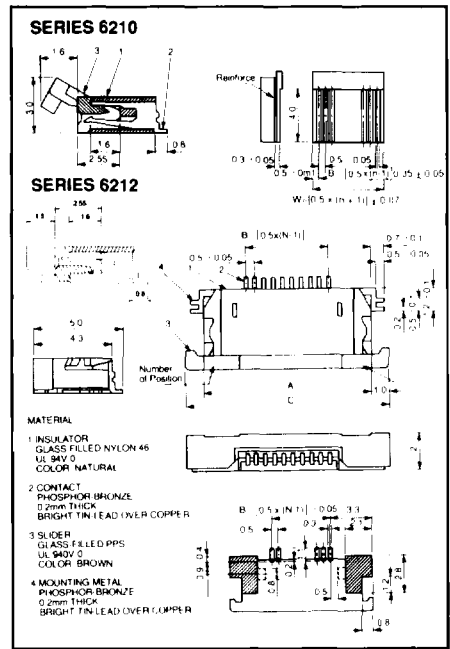
0,5mm FPC Flex to Board Connectors

The Series 6210/6212 are the smallest ZIF type FPC connectors in the world. Both Series have a single in-line contact with a 0,5mm pitch and a 2,0mm height. Automated surface mounting is accomplished by emboss tape packaging.

- Number of contacts: 6 to 30-Contact
- spacing: 0,5mm/.019"
- Current rating: 0.4A
- Voltage rating: 50V
- Dielectric withstanding voltage: 500V rms/min.
- Contact material/plating: Phosphor-Bronze/Tin-Lead over Copper
- Insulator material: Nylon 46
- Slider material: PPS
- Both are UL94V-0

No. of Pos.	A	B	C	D
6	7.3	2.5	9.3	16.0
7	7.8	3.0	9.8	16.0
8	8.3	3.5	10.3	16.0
9	8.8	4.0	10.8	24.0
10	9.3	4.5	11.3	24.0
11	9.8	5.0	11.8	24.0
12	10.3	5.5	12.3	24.0
13	10.8	6.0	12.8	24.0
14	11.3	6.5	13.3	24.0
15	11.8	7.0	13.8	24.0
16	12.3	7.5	14.3	24.0
17	12.8	8.0	14.8	24.0
18	13.3	8.5	15.3	24.0
19	13.8	9.0	15.8	24.0
20	14.3	9.5	16.3	24.0
21	14.8	10.0	16.8	24.0
22	15.3	10.5	17.3	24.0
23	15.8	11.0	17.8	24.0
24	16.3	11.5	18.3	24.0
25	16.8	12.0	18.8	32.0
26	17.3	12.5	19.3	32.0
27	17.8	13.0	19.8	32.0
28	18.3	13.5	20.3	32.0
29	18.8	14.0	20.8	32.0
30	19.3	14.5	21.3	32.0

Dimensions mm



ORDERING CODE

Typical Example 08 6210 006 010 800

