

Low Charge Injection 8-Channel High Voltage Analog Switch

Ordering Information

$V_{PP} - V_{NN}$	Package Options		
	28-pin plastic DIP	28-lead plastic chip carrier	Die
200V	HV20420P	HV20420PJ	HV20420X
200V	–	HV20620PJ	–

Features

- HVCMOS® technology for high performance
- Low charge injection
- Very low quiescent power dissipation – 10µA
- Output On-resistance typically 22 ohms
- Low parasitic capacitances
- DC to 10MHz analog signal frequency
- 60dB typical output off isolation at 5MHz
- CMOS logic circuitry for low power
- Excellent noise immunity
- On-chip shift register, latch and clear logic circuitry
- Flexible high voltage supplies
- Surface mount package available

General Description

Not recommended for new designs. Please use HV202 instead.

This device is a low charge injection 8-channel high-voltage analog switch integrated circuit (IC) intended for use in applications requiring high voltage switching controlled by low voltage control signals, such as ultrasound imaging and printers. Input data is shifted into an 8-bit shift-register which can then be retained in an 8-bit latch. To reduce any possible clock feed-through noise, Latch Enable Bar (LE) should be left high until all bits are clocked in. Using HVCMOS technology, this switch combines high voltage bilateral DMOS switches and low power CMOS logic to provide efficient control of high voltage analog signals.

This IC is suitable for various combinations of high voltage supplies, e.g., V_{PP}/V_{NN} : +50V/-150V, or +100V/-100V.

The specifications for the HV204 and HV206 are identical except that the pinouts in the 28-lead plastic chip carrier are different.

Absolute Maximum Ratings*

V_{DD} Logic power supply voltage	-0.5V to +18V
$V_{PP} - V_{NN}$ Supply voltage	220V
V_{PP} Positive high voltage supply	-0.5V to $V_{NN} + 200V$
V_{NN} Negative high voltage supply	+0.5V to -200V
Logic input voltages	-0.5V to $V_{DD} + 0.3V$
Analog Signal Range	V_{NN} to V_{PP}
Peak analog signal current/channel	3.0A
Storage temperature	-65°C to +150°C
Power dissipation	1.2W

* Absolute Maximum Ratings are those values beyond which damage to the device may occur. Functional operation under these conditions is not implied. Continuous operation of the device at the absolute rating level may affect device reliability.

Electrical Characteristics

DC Characteristics (over recommended operating conditions unless otherwise noted)

Characteristics	Sym	0°C		+25°C			+70°C		Units	Test Conditions	
		min	max	min	typ	max	min	max			
Small Signal Switch (ON) Resistance	R _{ONS}		30		26	32		35	ohms	I _{SIG} = 5mA	V _{PP} = +50V, V _{NN} = -150V
			25		22	27		32		I _{SIG} = 200mA	V _{NN} = -150V
			25		22	27		30		I _{SIG} = 5mA	V _{PP} = +100V, V _{NN} = -100V
			18		18	20		23		I _{SIG} = 200mA	V _{NN} = -100V
Small Signal Switch (ON) Resistance Matching	ΔR _{ONS}		20		5.0	20		20	%	I _{SW} = 5mA, V _{PP} = +100V, V _{NN} = -100V	
Large Signal Switch (ON) Resistance	R _{ONL}				15				ohms	V _{SIG} = V _{PP} - 10V, I _{SIG} = 1.0A	
Switch Off Leakage Per Switch	I _{SOL}		5.0		1.0	10		15	μA	V _{SIG} = V _{PP} - 10V to V _{NN} +10V	
DC Offset Switch Off			300		100	300		300	mV	R _L = 100KΩ	
DC Offset Switch On			500		100	500		500	mV	R _L = 100KΩ	
Pos. HV Supply Current	I _{PPQ}				10	50			μA	ALL SWs OFF	
Neg. HV Supply Current	I _{NNQ}				-10	-50			μA	ALL SWs OFF	
Pos. HV Supply Current	I _{PPQ}				10	50			μA	ALL SWs ON I _{SW} = 5mA	
Neg. HV Supply Current	I _{NNQ}				-10	-50			μA	ALL SWs ON I _{SW} = 5mA	
Switch Output Peak Current			3.0		3.0	2.0		2.0	A	V _{SIG} duty cycle ≤ 0.1%	
Output Switch Frequency	f _{SW}					50			KHz	Duty Cycle = 50%	
I _{PP} Supply Current	I _{PP}		8.1			8.8		10.0	mA	V _{PP} = +50V, V _{NN} = -150V	50KHz Output Switching Frequency with no load
			5.0			6.3		6.9		V _{PP} = +100V, V _{NN} = -100V	
I _{NN} Supply Current	I _{NN}		8.1			8.8		10.0	mA	V _{PP} = +50V, V _{NN} = -150V	
			5.0			6.3		6.9		V _{PP} = +100V, V _{NN} = -100V	
Logic Supply Average Current	I _{DD}		6.0		4.0	6.0		6.0	mA	f _{CLK} = 3MHz	
Logic Supply Quiescent Current	I _{DDQ}		10			10		10	μA		
Data Out Source Current	I _{SOR}	0.45		0.45	0.70		0.40		mA	V _{OUT} = V _{DD} - 0.7V	
Data Out Sink Current	I _{SINK}	0.45		0.45	0.70		0.40		mA	V _{OUT} = 0.7V	
Logic Input Capacitance	C _{IN}		10			10		10	pF		

Electrical Characteristics

AC Characteristics (over operating conditions $V_{DD} = 15V$, unless otherwise noted)

Characteristics	Sym	0°C		+25°C			+70°C		Units	Test Condition	
		min	max	min	typ	max	min	max			
Time to Turn Off V_{SIG}^*	$t_{SIG(OFF)}$			0					ns		
Set Up Time Before \overline{LE} Rises	t_{SD}	150		150				150	ns		
Time Width of \overline{LE}	t_{WLE}	150		150				150	ns		
Clock Delay Time to Data Out	t_{DO}		175			175		190	ns		
Time Width of CL	t_{WCL}	150		150				150	ns		
Set Up Time Data to Clock	t_{SU}	15		15	8.0			20	ns		
Hold Time Data from Clock	t_H	35		35				35	ns		
Clock Freq	f_{CLK}		5.0			5.0		5.0	MHz	50% duty cycle $f_{DATA} = f_{CLK}/2$	
Turn On Time	t_{ON}		5.0			5.0		5.0	μs	$V_{SIG} = V_{PP} - 10V$	
Turn Off Time	t_{OFF}		5.0			5.0		5.0	μs	$V_{SIG} = V_{PP} - 10V$	
Maximum V_{SIG} Slew Rate	dv/dt					13			V/ns	$V_{PP} = +50V$ $V_{NN} = -150V$	
						13		$V_{PP} = +100V$ $V_{NN} = -100V$			
Off Isolation	KO	-30		-30	-33			-30		dB	f = 5.0 MHz, 1K Ω /15pF load
		-45		-45	-60			-45		dB	f = 5MHz, 50 Ω load
Switch Crosstalk	K_{CR}	-60		-60	-70			-60		dB	f = 5MHz, 50 Ω load
Output Switch Isolation Diode Current	I_{ID}		300			300		300	mA	300ns pulse width, 2.0% duty cycle	
Off Capacitance SW to GND	$C_{SG(OFF)}$	5.0	17	5.0	12	17	5.0	17	pF	0V, 1MHz	
On Capacitance SW to GND	$C_{SG(ON)}$	25	50	25	38	50	25	50	pF	0V, 1MHz	
Output Voltage Spike	$+V_{SPK}$				150				mV	$V_{PP} = +100V$ $V_{NN} = -100V$ $R_L = 50\Omega$	
	$-V_{SPK}$				150						

*Time required for analog signal to turn off before output switch turns off.

Operating Conditions*

Symbol	Parameter	Value
V_{DD}	Logic power supply voltage ^{1,3}	10.0V to 15.5 V
V_{PP}	Positive high voltage supply ^{1,3}	50V to $V_{NN} + 200V$
V_{NN}	Negative high voltage supply ^{1,3}	-100V to -150V
V_{IH}	High-level input voltage	$V_{DD} - 2V$ to V_{DD}
V_{IL}	Low-level input voltage	0V to 2.0V
V_{SIG}	Analog signal voltage peak to peak ²	$V_{NN} + 10V$ to $V_{PP} - 10V$
T_A	Operating free air-temperature	0°C to 70°C

Notes:

- Power up/down sequence is arbitrary except GND must be powered-up first and powered-down last.
- V_{SIG} must be $V_{NN} \leq V_{SIG} \leq V_{PP}$ or floating during power up/down transition.
- Rise and fall times of power supplies V_{DD} , V_{PP} , and V_{NN} should not be less than 1.0msec.

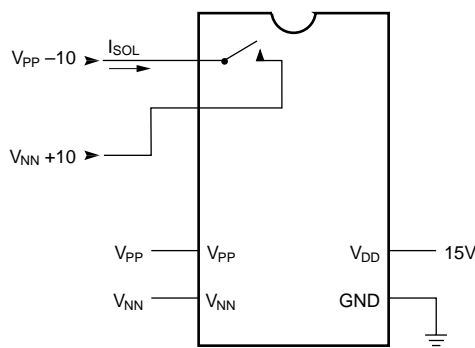
Truth Table

D0	D1	D2	D3	D4	D5	D6	D7	\overline{LE}	CL	SW0	SW1	SW2	SW3	SW4	SW5	SW6	SW7	
L								L	L	OFF								
H								L	L	ON								
	L							L	L		OFF							
	H							L	L		ON							
		L						L	L			OFF						
		H						L	L			ON						
			L					L	L				OFF					
			H					L	L				ON					
				L				L	L					OFF				
				H				L	L					ON				
					L			L	L						OFF			
					H			L	L						ON			
						L		L	L							OFF		
						H		L	L							ON		
							L	L	L								OFF	
							H	L	L								ON	
X	X	X	X	X	X	X	X	H	L	HOLD PREVIOUS STATE								
X	X	X	X	X	X	X	X	X	H	OFF	OFF	OFF	OFF	OFF	OFF	OFF	OFF	OFF

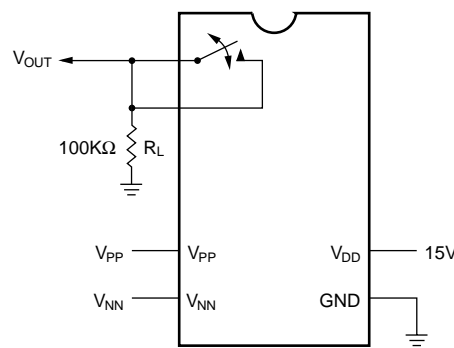
Notes:

1. The eight switches operate independently.
2. Serial data is clocked in on the L→H transition CLK.
3. The switches go to a state retaining their present condition at the rising edge of \overline{LE} . When \overline{LE} is low the shift register data flows through the latch.
4. D_{OUT} is high when switch 7 is on.
5. Shift register clocking has no effect on the switch states if \overline{LE} is H.
6. The clear input overrides all other inputs.

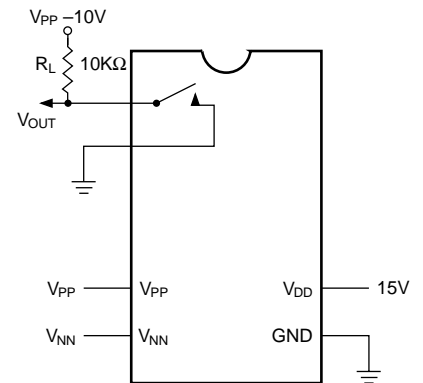
Test Circuits



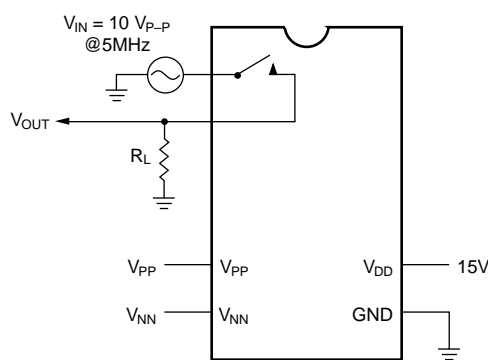
Switch OFF Leakage



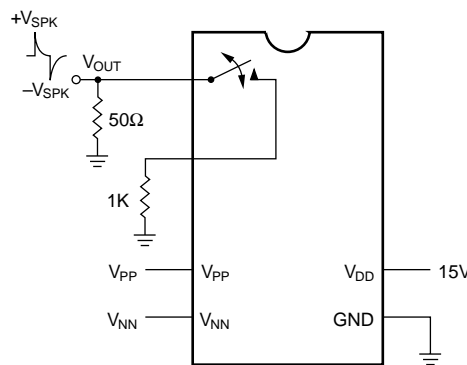
DC Offset ON/OFF



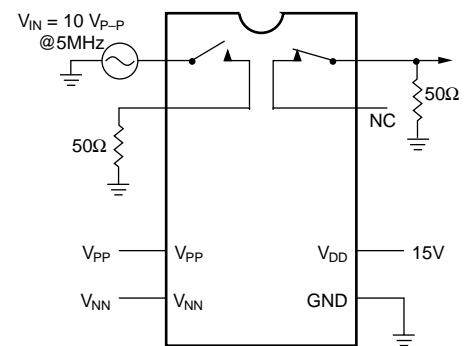
T_{ON}/T_{OFF} Test Circuit



$K_O = 20 \text{Log} \frac{V_{OUT}}{V_{IN}}$
OFF Isolation

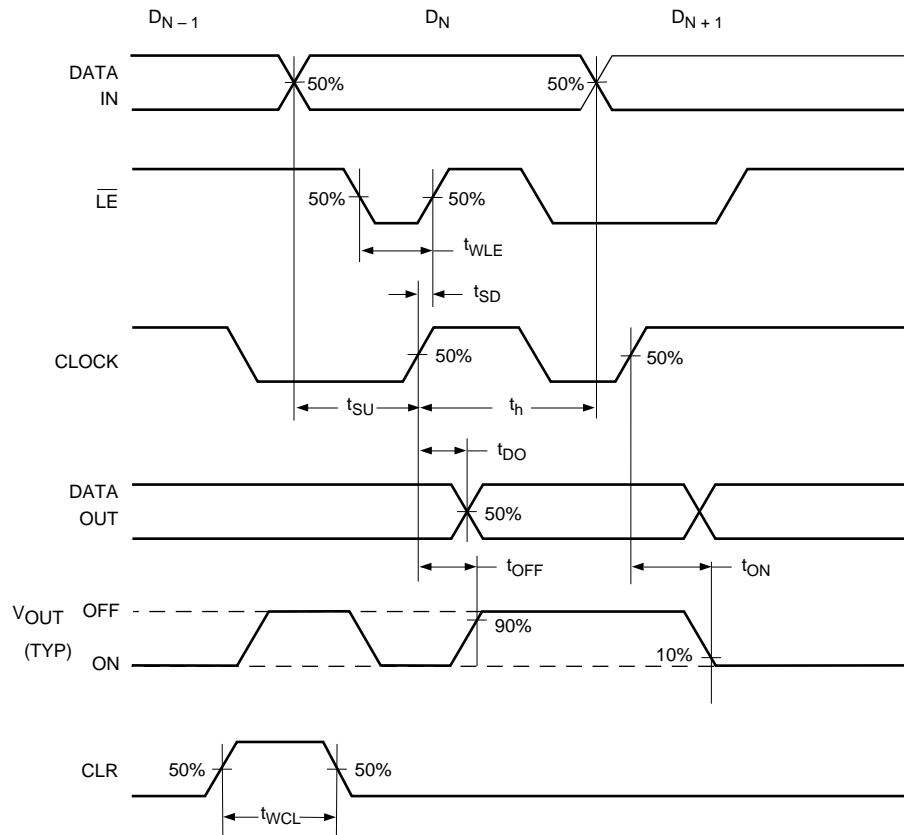


Output Voltage Spike

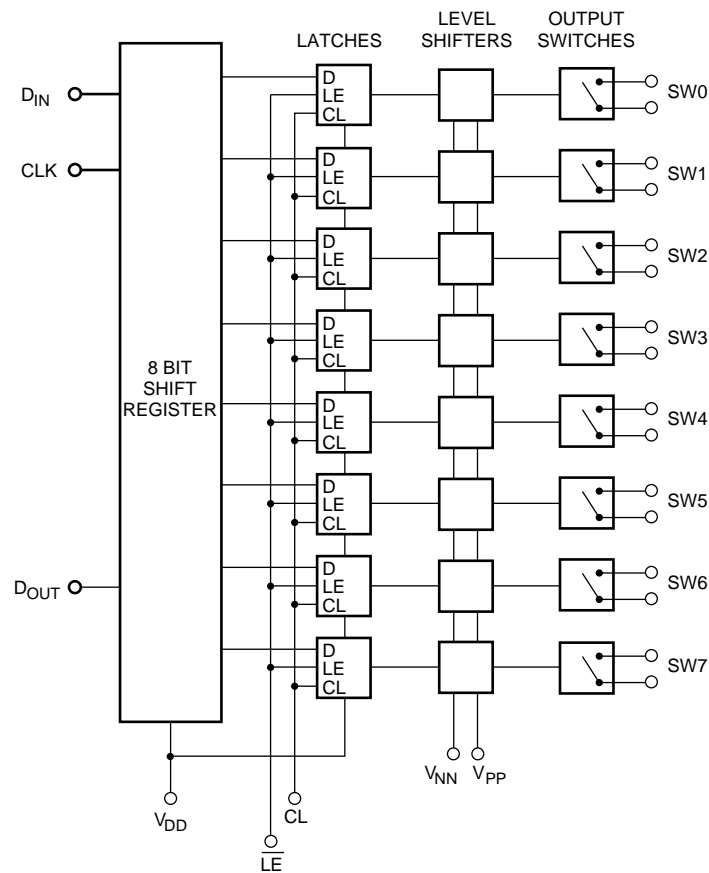


$K_{CR} = 20 \text{Log} \frac{V_{OUT}}{V_{IN}}$
Crosstalk

Logic Timing Waveforms



Logic Diagram



Pin Configurations

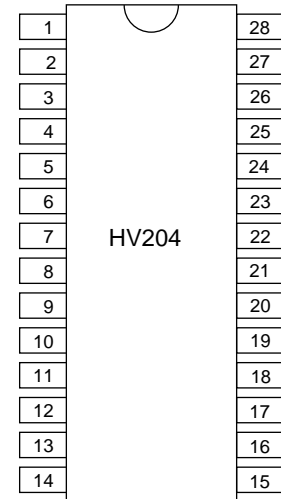
Package Outlines

HV204 28-Pin DIP

Pin	Function	Pin	Function
1	SW3	15	N/C
2	SW3	16	D _{IN}
3	SW2	17	CLK
4	SW2	18	\overline{LE}
5	SW1	19	CL
6	SW1	20	D _{OUT}
7	SW0	21	SW7
8	SW0	22	SW7
9	N/C	23	SW6
10	V _{PP}	24	SW6
11	N/C	25	SW5
12	V _{NN}	26	SW5
13	GND	27	SW4
14	V _{DD}	28	SW4

HV204 28-Pin J-Lead

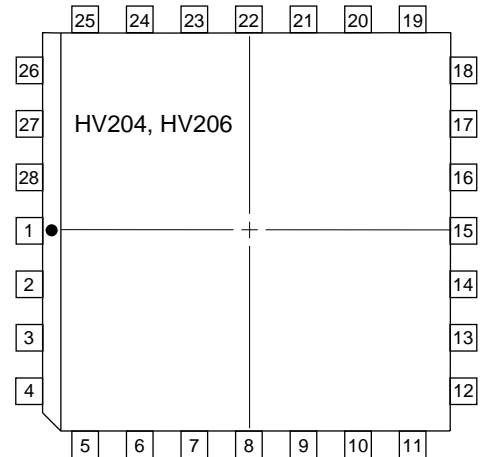
Pin	Function	Pin	Function
1	SW3	15	N/C
2	SW3	16	D _{IN}
3	SW2	17	CLK
4	SW2	18	\overline{LE}
5	SW1	19	CL
6	SW1	20	D _{OUT}
7	SW0	21	SW7
8	SW0	22	SW7
9	N/C	23	SW6
10	V _{PP}	24	SW6
11	N/C	25	SW5
12	V _{NN}	26	SW5
13	GND	27	SW4
14	V _{DD}	28	SW4



top view
28-pin DIP

HV206 28-Pin J-Lead

Pin	Function	Pin	Function
1	SW3	15	V _{DD}
2	SW3	16	D _{IN}
3	SW2	17	CLK
4	SW2	18	\overline{LE}
5	SW1	19	CL
6	SW1	20	D _{OUT}
7	SW0	21	SW7
8	SW0	22	SW7
9	N/C	23	SW6
10	V _{PP}	24	SW6
11	N/C	25	SW5
12	V _{NN}	26	SW5
13	N/C	27	SW4
14	GND	28	SW4



top view
28-pin J-Lead Package