

**Maximum Ratings**

Symbol	Conditions	Values	Units
$V_{CEV_{sus}}$	$I_C = 1 A, V_{BE} = -2 V$	1000	V
$V_{CEV}$	$V_{BE} = -2 V$	1000	V
$V_{CBO}$	$I_E = 0$	1000	V
$V_{EBO}$	$I_C = 0$	7	V
$I_C$	D. C.	100	A
$I_{CM}$	$t_p = 1 ms$	200	A
$I_F = -I_C$		100	A
$I_B$		5	A
$P_{tot}$	$T_{case} = 25 ^\circ C$ ; per darlington	800	W
$T_{vj}$		-40 ... +150	$^\circ C$
$T_{stg}$		-40 ... +125	$^\circ C$
$V_{isol}$	a. c. 50 Hz, r.m.s.	2500~	V

**Thermal Characteristics**

$R_{thjc}$	per darlington/per module	0,155/0,077	$^\circ C/W$
$R_{thjc}$	per diode/per module	0,65/0,325	$^\circ C/W$
$R_{thch}$	per 1/2 module/per module	0,075/0,038	$^\circ C/W$

**Electrical Characteristics<sup>1)</sup>**

		min.	typ.	max.	
$I_{CEV}$	$V_{CE} = V_{CEV}, V_{BE} = -2 V$			2	mA
$I_{EBO}$	$I_C = 0, V_{BE} = -7 V$			400	mA
$V_{CEsat}^{2)}$	$I_C = 100 A, I_B = 2 A$			2,5	V
$V_{BEsat}^{2)}$	$I_C = 100 A, I_B = 2 A$			3,5	V
$h_{21E}^{2)}$	$I_C = 100 A$	$V_{CE} = 2,8 V$	75		
		$V_{CE} = 5 V$	100		

**Switching Characteristics for Resistive Load<sup>1)</sup>**

$t_{on}$	$I_C = 100 A$ $I_{B1} = -I_{B2} = 2 A$ $V_{CC} = 600 V$		3	$\mu s$
$t_s$			15	$\mu s$
$t_f$			3	$\mu s$

**Inverse Diode Characteristics<sup>1)</sup>**

$V_F = -V_{CE}$	$I_F = -I_C = 100 A$			1,8	V
$I_{FSM} = -I_{Cp}$	$\sin 180^\circ, 10 ms$	1000			A
$I_{RM}$	$I_F = -I_C = 100 A, -di_F/dt = 100 A/\mu s$ $V_{BE} = -3 V, V_R = V_{CE} = 400 V,$ $T_{vj} = 125 ^\circ C$		38		A
			19		$\mu C$

**Mechanical Data**

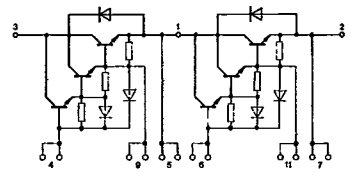
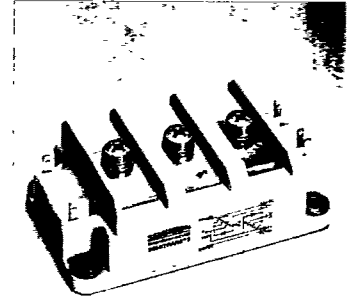
$M_1$	Case to heatsink	SI units	3	6	Nm
		US units	27	53	lb. in.
$M_2$	Busbars to terminals	SI units	2,5	5	Nm
		US units	22	44	lb. in.
w			420		g
Case	DB		D 14		
	DAL		D 39		

1)  $T_{case} = 25 ^\circ C$  unless otherwise stated

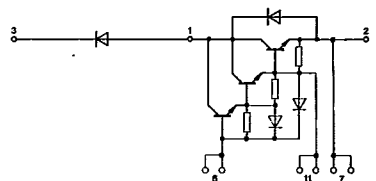
2)  $t_p \leq 300 \mu s, D \leq 1,5 \%$

**SEMITRANS® 3 NPN**  
**Power Darlington Modules**  
**100 A, 1000 V**

SK 100 DB 100 D  
 SK 100 DAL 100 D



DB



DAL

**Features**

- Isolated baseplate (ease of mounting of one or several modules on one heatsink)
- All electrical connections on top (ease of interconnecting of modules with busbars)
- Large clearances and creepage distances
- Parallel connected fast recovery inverse diode
- UL recognized, file no. 63 532

**Typical Applications**

- Uninterruptible power supplies (UPS)
- DC drives
- AC motor controls
- Brake choppers (DAL)

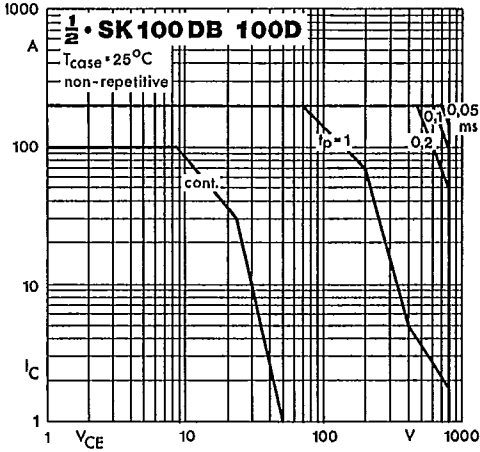


Fig. 1 Forward biased safe operating area (FBSOA)

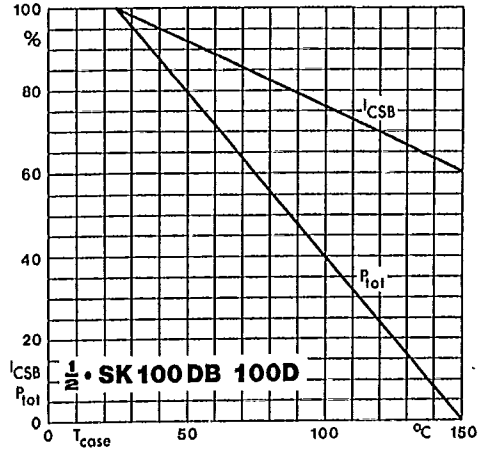


Fig. 2 Shifting the limits of the FBSOA with temperature

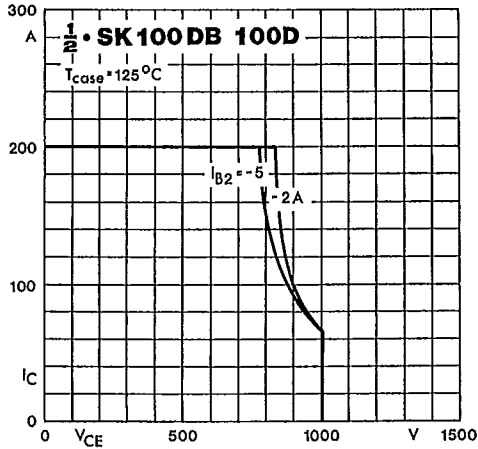


Fig. 3 Reverse biased safe operating area (RBSOA)

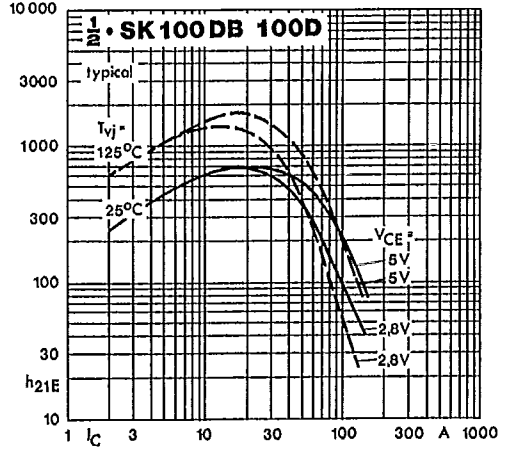


Fig. 4 Forward current transfer ratio vs. coll. current

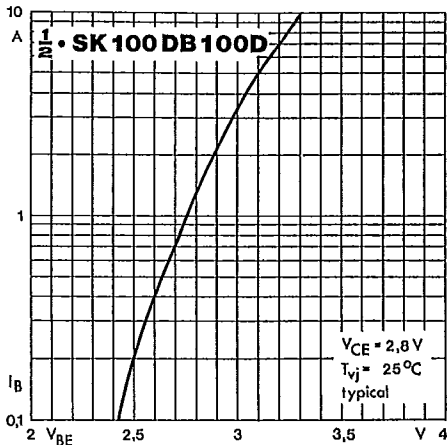


Fig. 5 Base current/voltage characteristic

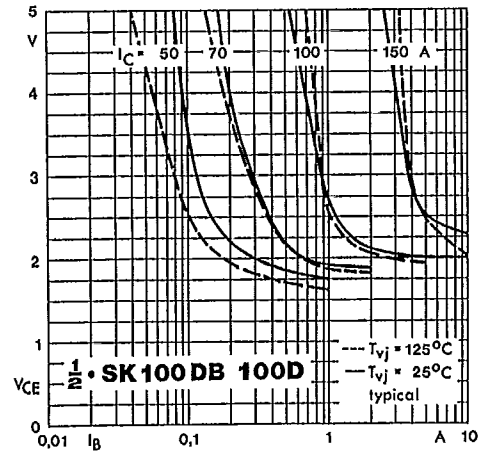


Fig. 6 Collector-emitter voltage vs. base current

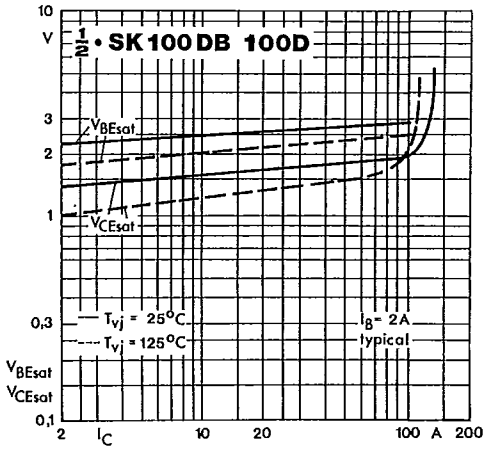


Fig. 7 Saturation voltages vs. collector current

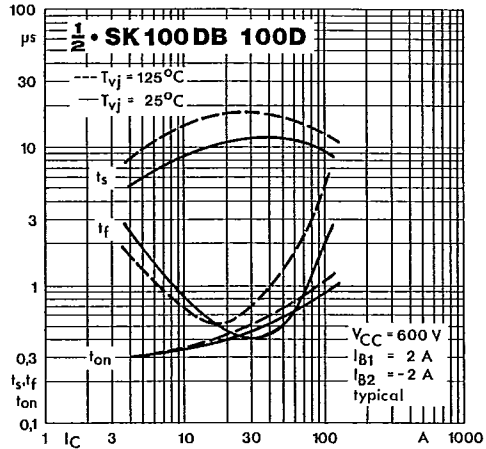


Fig. 8 Switching times vs. collector current

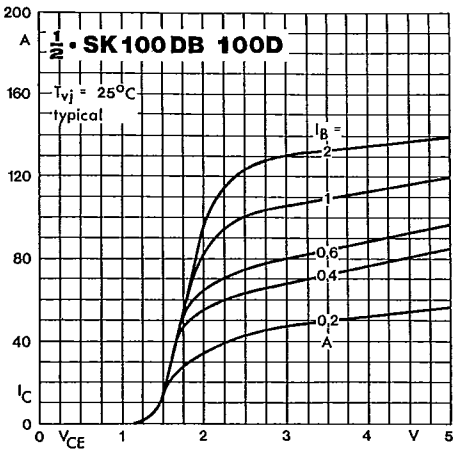


Fig. 9 Collector current/voltage characteristics

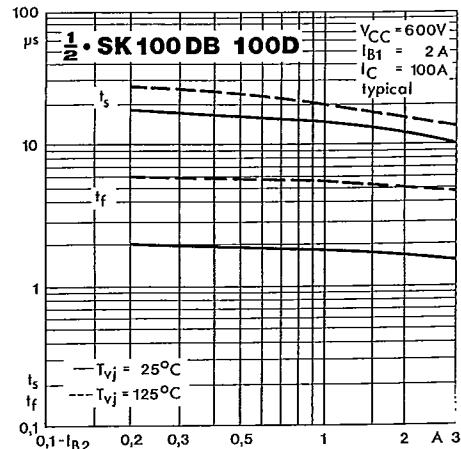


Fig. 10 Turn-off times vs. negative base current

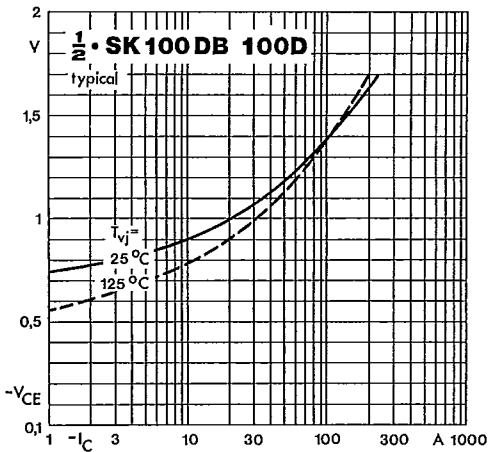


Fig. 11 Inverse diode forward characteristics

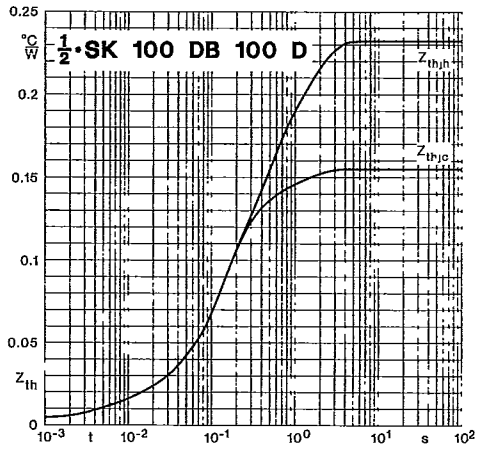


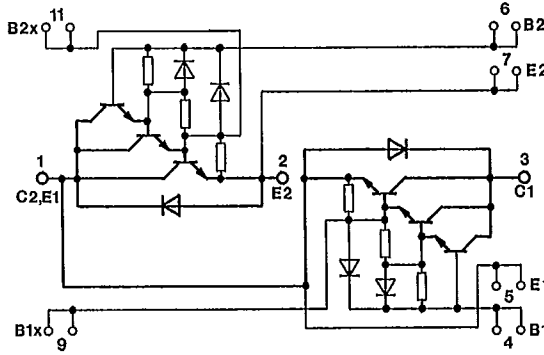
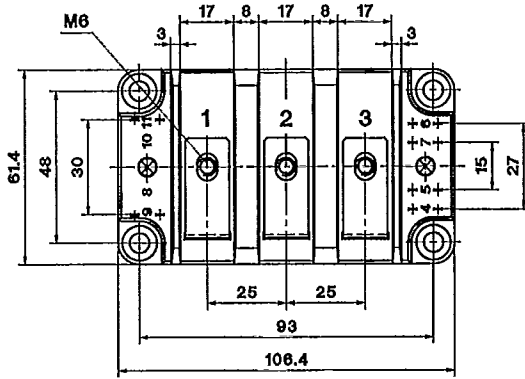
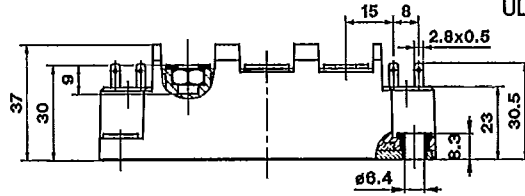
Fig. 12 Transient thermal impedance vs. time

**SK 100 DB 100 D**

SEMISTRANS® 3

Case D 14

UL recognized, file no. 63 532



Dimensions in mm

**SK 100 DAL 100 D**

SEMISTRANS® 3

Case D 39

UL recognized, file no. 63 532

