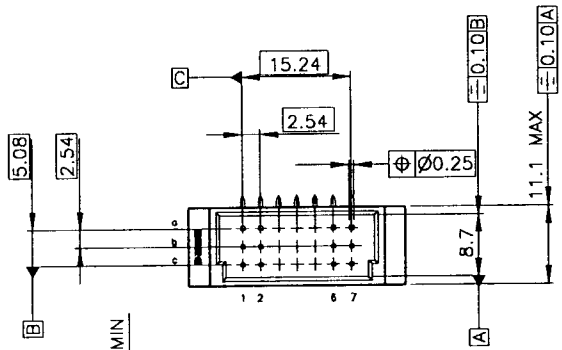
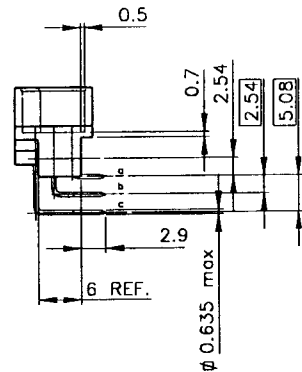
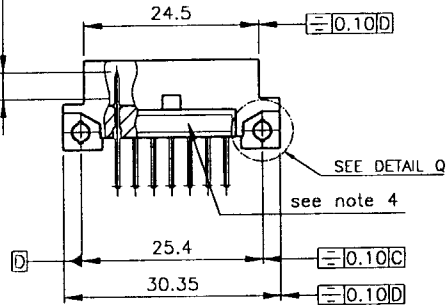


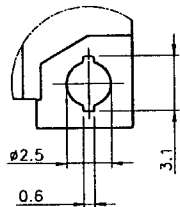
FOR PRODUCT NUMBER SEE SHEET 2/2



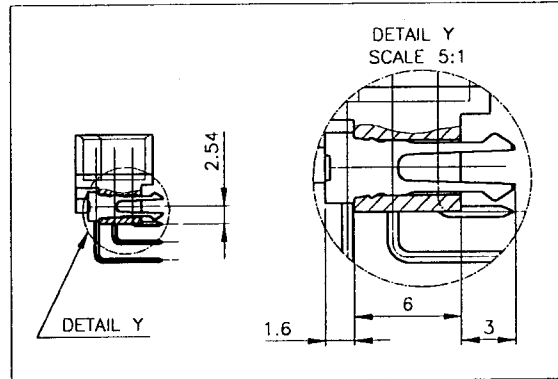
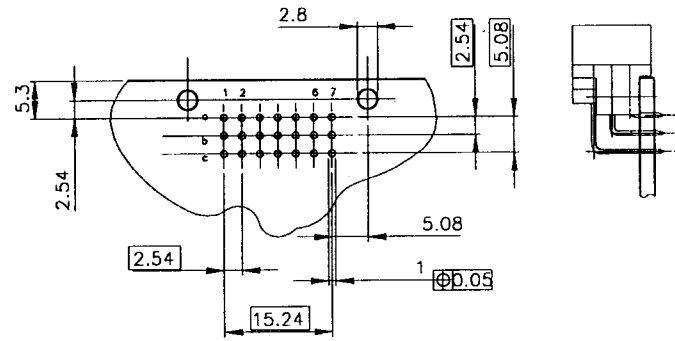
CONTACT AREA 3.8 MIN



DETAIL Q
SCALE 5:1



P.C. MOUNTING HOLE PATTERN



OPTIONAL, SEE NOTE 5

NOTES:

- 1 MATERIAL PIN : PHOSPHOR BRONZE
- 2 MATERIAL BODY: THERMOPLASTIC POLYESTER
30% FIBER GLASS FILLED
COLOUR: GREY, FLAME RETARDANT PER UL-94-V0
- 3 PLATING FOR CONTACT AREA: SEE TABLE
- 4 LASER PRINTING CONSISTS OF 70075-XYX-OZ-XXXXXXX
ACCORDING TO DIN 30640
PRODUCT NUMBER _____
PLATING CODE X _____
LOADING CODE YY _____
CLIP CODE (optional) _____
BATCH CODE _____
- 5 AS AN OPTION THE 70075 CONNECTOR IS AVAILABLE WITH
A BOARD FIXING CLIP. THE P/N IS THEN 70075-XYX-OZ.
SEE SHEET 2/2.

part code		see notes		tolerances unless otherwise specified		CUSTOMER COPY		BERG ELECTRONICS	
ltr	rev no	dr	date	linear		projection	file	DIN R.A. MALE	
A	H89344	MLO	890712					3 x 7 pos CONN	
B	H20199	MVN	920410						
C	H20811	MVN	921218	angles					
D	H30358	RBE	930616	dr	M. Visschers	920410	mm	product family	BACKPANEL
E	H30433	RBE	931012	rev	R. Bekker	920410		size	dwg no
F	F80181	LMU	99.03.16	rev	M. Lomen	920410	scale	Az	70075
				appd	H. Coorjens	920410	2:1		code
sheet index	revision	F	E						213
	sheet	1	2						sheet 1 of 2

PRODUCT NUMBER 70075-XYX-0Z

PLATING CODE X		
PRODUCT NO	CONTACT AREA	SOLDER TAIL
70075-1YY	0.40µm Au min over Ni	TIN / LEAD
70075-2YY	0.80µm Au min over Ni	TIN / LEAD
70075-3YY	2.00µm Au min over Ni	TIN / LEAD
70075-4YY	1.25µm Au min over Ni	TIN / LEAD

LOADING CODE YY								
PRODUCT NO	PIN X PLACED IN POSITION							
	ROW	1	2	3	4	5	6	7
70075-X01	a		X		X		X	
	b							
	c	X		X		X		X
70075-X02	a	X		X		X		X
	b		X		X		X	
	c	X		X		X		X
70075-X03	a	X		X		X		X
	b							
	c	X		X		X		X
70075-X04	a	X		X		X		X
	b	X		X		X		X
	c	X		X		X		X
70075-X05	a	X	X	X	X	X	X	X
	b							
	c	X	X	X	X	X	X	X
70075-X06	a							
	b	X	X	X	X	X	X	X
	c							
70075-X07	a							
	b	X	X	X	X	X	X	X
	c	X	X	X	X	X	X	X
70075-X08	a		X		X		X	
	b	X		X		X		X
	c		X		X		X	
70075-X09	a	X	X	X	X	X	X	X
	b	X	X	X	X	X	X	X
	c	X	X	X	X	X	X	X
70075-X00	a	X	X	X	X	X	X	X
	b	X	X	X	X	X	X	X
	c	X	X	X	X	X	X	X

CLIP CODE "0Z" (Optional)	
PRODUCT NUMBER	PCB THICKNESS
70075-XYX-01	1.6

part code		tolerances unless otherwise specified		CUSTOMER COPY		BERG ELECTRONICS	
lit	ech no	dr	date	linear	projection	title	
A	H89344	MLD	890712			DIN R.A. MALE	
B	H20199	UNI	920410			3 x 7 pos CONN	
C	H20817	UNI	921218	angles			
D	H30356	RBE	930616	gr	M.Vischers	920410	code
E	H30433	RBE	931012	engr	R. Bekker	920410	213
				chr	M. Loman	920410	sheet
				appd	H. Coolimans	920410	2 of 2
Sheet	revision						
notes	sheet						