

SILICON RECTIFIER

VOLTAGE RANGE 50 to 1000 Volts CURRENT 1.0 Ampere

FEATURES

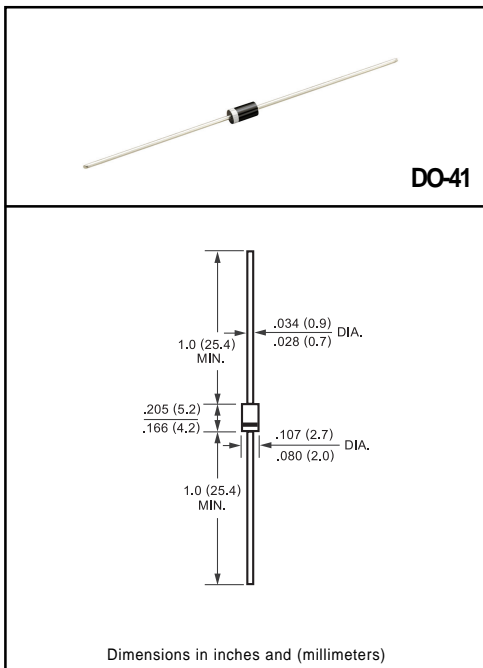
- * Low cost
- * Low leakage
- * Low forward voltage drop
- * High current capability

MECHANICAL DATA

- * Case: Molded plastic
- * Epoxy: UL 94V-O rate flame retardant
- * Lead: MIL-STD-202E method 208C guaranteed
- * Mounting position: Any
- * Weight: 0.33 gram

MAXIMUM RATINGS AND ELECTRICAL CHARACTERISTICS

Ratings at 25 °C ambient temperature unless otherwise specified.
 Single phase, half wave, 60 Hz, resistive or inductive load.
 For capacitive load, derate current by 20%.



MAXIMUM RATINGS (At TA = 25°C unless otherwise noted)

| RATINGS | SYMBOL | 1N4001 | 1N4002 | 1N4003 | 1N4004 | 1N4005 | 1N4006 | 1N4007 | UNITS |
|---------------------------------------------------------------------------------------------------|----------|--------------|--------|--------|--------|--------|--------|--------|-------|
| Maximum Recurrent Peak Reverse Voltage | VRRM | 50 | 100 | 200 | 400 | 600 | 800 | 1000 | Volts |
| Maximum RMS Voltage | VRMS | 35 | 70 | 140 | 280 | 420 | 560 | 700 | Volts |
| Maximum DC Blocking Voltage | Vdc | 50 | 100 | 200 | 400 | 600 | 800 | 1000 | Volts |
| Maximum Average Forward Rectified Current at TA = 75°C | Io | 1.0 | | | | | | | Amps |
| Peak Forward Surge Current 8.3 ms single half sine-wave superimposed on rated load (JEDEC method) | IFSM | 30 | | | | | | | Amps |
| Typical Junction Capacitance (Note) | CJ | 15 | | | | | | | pF |
| Typical Thermal Resistance | R θ JA | 50 | | | | | | | °C/W |
| Operating and Storage Temperature Range | TJ, TSTG | -65 to + 175 | | | | | | | °C |

ELECTRICAL CHARACTERISTICS (At TA = 25°C unless otherwise noted)

| CHARACTERISTICS | SYMBOL | 1N4001 | 1N4002 | 1N4003 | 1N4004 | 1N4005 | 1N4006 | 1N4007 | UNITS |
|----------------------------------------------------------------------------------------------|--------------|--------|--------|--------|--------|--------|--------|--------|-------|
| Maximum Instantaneous Forward Voltage at 1.0A DC | VF | 1.1 | | | | | | | Volts |
| Maximum DC Reverse Current at Rated DC Blocking Voltage | @ TA = 25°C | 5.0 | | | | | | | uAmps |
| | @ TA = 100°C | 50 | | | | | | | |
| Maximum Full Load Reverse Current Average, Full Cycle .375" (9.5mm) lead length at TL = 75°C | IR | 30 | | | | | | | uAmps |

NOTES : Measured at 1 MHz and applied reverse voltage of 4.0 volts

RATING AND CHARACTERISTIC CURVES (1N4001 THRU 1N4007)

FIG. 1 - TYPICAL FORWARD CURRENT DERATING CURVE

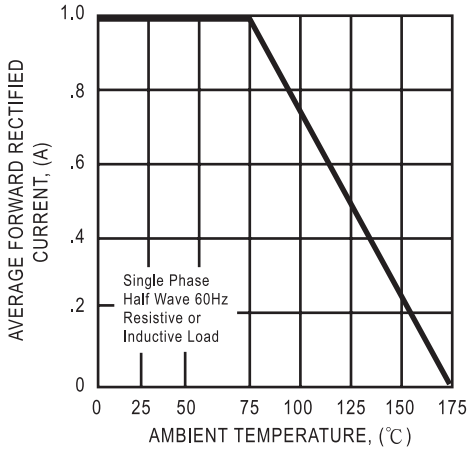


FIG. 2 - TYPICAL INSTANTANEOUS FORWARD CHARACTERISTICS

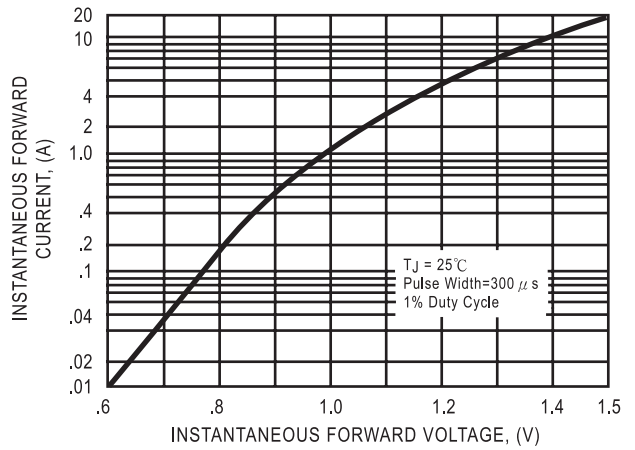


FIG. 3 - MAXIMUM NON-REPETITIVE FORWARD SURGE CURRENT

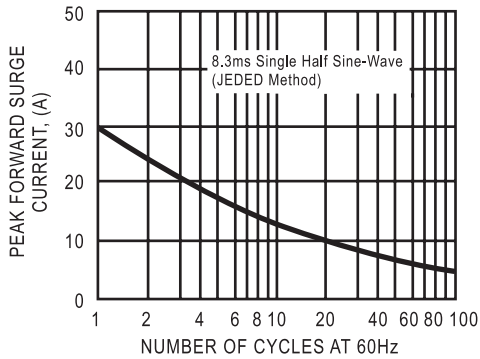


FIG. 4 - TYPICAL REVERSE CHARACTERISTICS

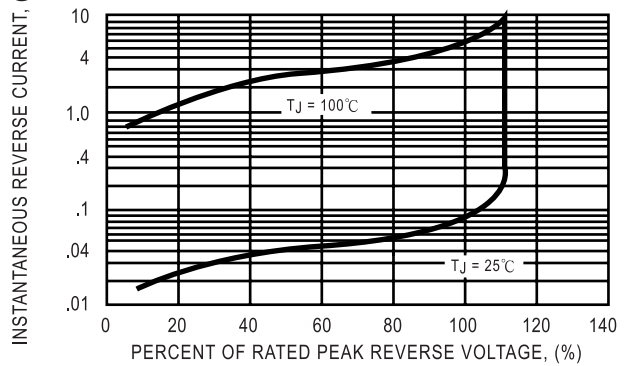


FIG. 5 - TYPICAL JUNCTION CAPACITANCE

