

MAJOR LEAGUE ELECTRONICS .050" c.i. Board Stacker Terminal Strips - Custom

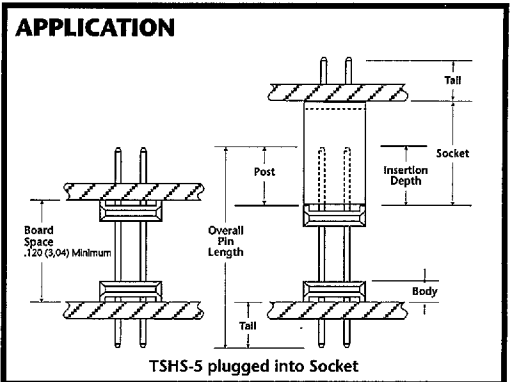
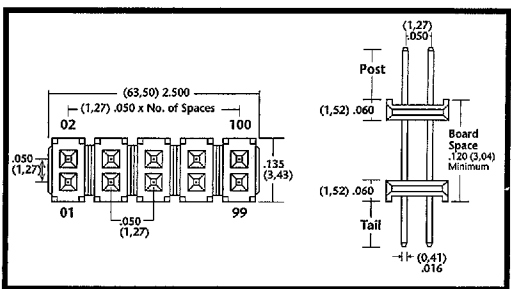
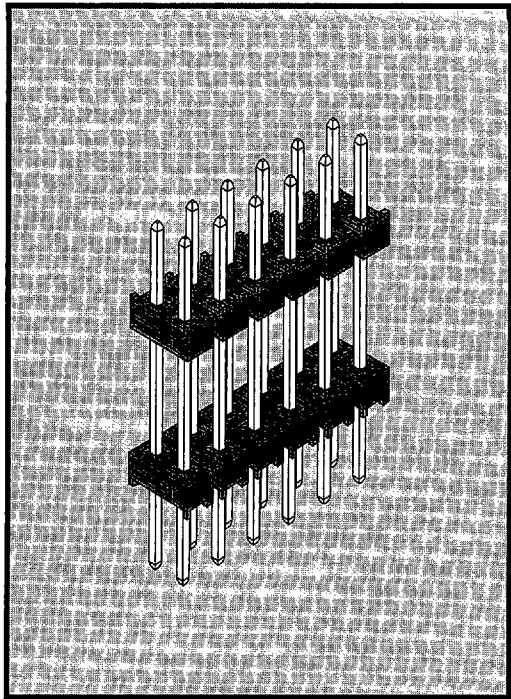


BSTC-5 **-D**

Mates with: SSSH, SSSHM

Pin Options	Length	
	(5,56) .219	04
	(8,32) .328	06
	(10,92) .430	08
	(12,19) .480	10
	(13,46) .530	12
	(14,73) .580	14
	(16,00) .630	16
	(17,27) .680	18
	(18,54) .730	20
	(19,81) .780	22

(Metric Dimensions) [.120 (3,05) minimum board space]



Product cut to specific sizes is noncancellable/nonreturnable. Parts are subject to change without notice.

Materials & Performance Specifications

	STANDARD	HIGH TEMPERATURE
Insulator	Black, glass filled, polyester	High temperature thermoplastic
Terminal	Phosphor Bronze	Phosphor Bronze
Insulation Resistance	5,000M Ω minimum	5,000M Ω minimum
Flammability	UL 94V-O	UL 94V-O
Temperature Range	-65°C to +125°C	-65°C to +250°C
Current Rating	3 ampere	3 ampere
Plating	All Plating Options over 50μ in Ni	All Plating Options over 50μ in Ni



Delivery On Time Every Time... Or The Order's Free!

D 24F ■ 9019296 0000064 983

Phone: 812-944-7244 • Facsimile: 812-944-7268 • Email: mle@iglou.com

.050"