

K4F171611C, K4F151611C K4F171612C, K4F151612C

CMOS DRAM

1M x 16Bit CMOS Dynamic RAM with Fast Page Mode

DESCRIPTION

This is a family of 1,048,576 x 16 bit Fast Page Mode CMOS DRAMs. Fast Page Mode offers high speed random access of memory cells within the same row. Power supply voltage (+5.0V or +3.3V), refresh cycle (1K Ref. or 4K Ref.), access time (-50 or -60), power consumption(Normal or Low power) and package type(SOJ or TSOP-II) are optional features of this family. All of this family have $\overline{\text{CAS}}$ -before- $\overline{\text{RAS}}$ refresh, $\overline{\text{RAS}}$ -only refresh and Hidden refresh capabilities. Furthermore, Self-refresh operation is available in L-version. This 1Mx16 Fast Page Mode DRAM family is fabricated using Samsung's advanced CMOS process to realize high band-width, low power consumption and high reliability. It may be used as graphic memory unit for microcomputer, personal computer and portable machines.

FEATURES

• Part Identification

- K4F171611C-J(T) (5V, 4K Ref.)
- K4F151611C-J(T) (5V, 1K Ref.)
- K4F171612C-J(T) (3.3V, 4K Ref.)
- K4F151612C-J(T) (3.3V, 1K Ref.)

• Active Power Dissipation

Unit : mW

| Speed | 3.3V | | 5V | |
|-------|------|-----|-----|-----|
| | 4K | 1K | 4K | 1K |
| -50 | 324 | 504 | 495 | 770 |
| -60 | 288 | 468 | 440 | 715 |

• Refresh Cycles

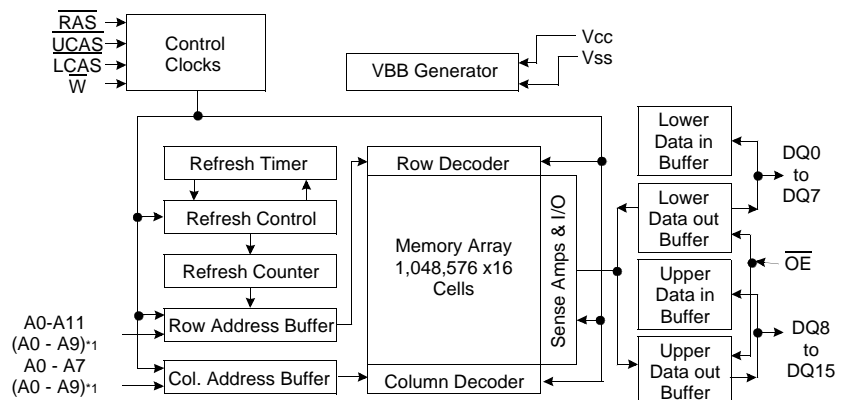
| Part NO. | V _{CC} | Refresh cycle | Refresh period | |
|------------|-----------------|---------------|----------------|-------|
| | | | Normal | L-ver |
| K4F171611C | 5V | 4K | 64ms | 128ms |
| K4F171612C | 3.3V | | | |
| K4F151611C | 5V | 1K | 16ms | |
| K4F151612C | 3.3V | | | |

• Performance Range

| Speed | t _{RAC} | t _{CAC} | t _{RC} | t _{PC} | Remark |
|-------|------------------|------------------|-----------------|-----------------|---------|
| -50 | 50ns | 15ns | 90ns | 35ns | 5V/3.3V |
| -60 | 60ns | 15ns | 110ns | 40ns | 5V/3.3V |

- Fast Page Mode operation
- 2 $\overline{\text{CAS}}$ Byte/Word Read/Write operation
- $\overline{\text{CAS}}$ -before- $\overline{\text{RAS}}$ refresh capability
- $\overline{\text{RAS}}$ -only and Hidden refresh capability
- Self-refresh capability (L-ver only)
- TTL(5V)/LVTTTL(3.3V) compatible inputs and outputs
- Early Write or output enable controlled write
- JEDEC Standard pinout
- Available in 42-pin SOJ 400mil and 50(44)-pin TSOP(II) 400mil packages
- Single +5V±10% power supply (5V product)
- Single +3.3V±0.3V power supply (3.3V product)

FUNCTIONAL BLOCK DIAGRAM



Note) *1 : 1K Refresh

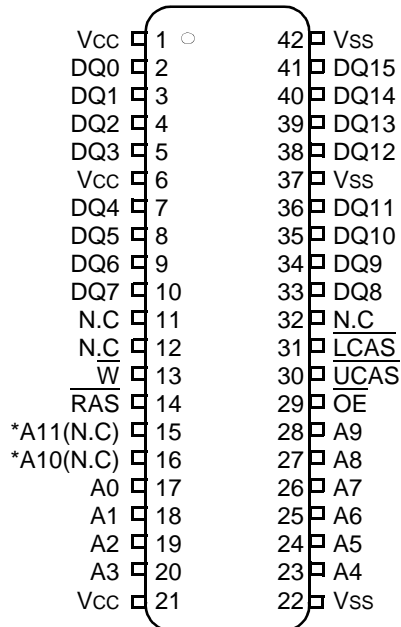
SAMSUNG ELECTRONICS CO., LTD. reserves the right to change products and specifications without notice.



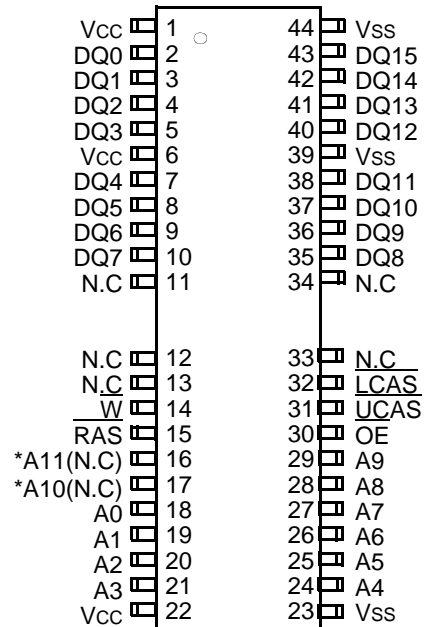
ELECTRONICS

PIN CONFIGURATION (Top Views)

• K4F17(5)1611(2)C-J



• K4F17(5)1611(2)C-T



*A10 and A11 are N.C for K4F151611(2)C(5V/3.3V, 1K Ref. product)

J : 400mil 42 SOJ
T : 400mil 50(44) TSOP II

| Pin Name | Pin Function |
|----------|-----------------------------|
| A0 - A11 | Address Inputs (4K Product) |
| A0 - A9 | Address Inputs (1K Product) |
| DQ0 - 15 | Data In/Out |
| Vss | Ground |
| RAS | Row Address Strobe |
| UCAS | Upper Column Address Strobe |
| LCAS | Lower Column Address Strobe |
| W | Read/Write Input |
| OE | Data Output Enable |
| Vcc | Power(+5V) |
| | Power(+3.3V) |
| N.C | No Connection |

K4F171611C, K4F151611C K4F171612C, K4F151612C

CMOS DRAM

ABSOLUTE MAXIMUM RATINGS

| Parameter | Symbol | Rating | | Units |
|---------------------------------------|------------------------------------|--------------|--------------|-------|
| | | 3.3V | 5V | |
| Voltage on any pin relative to Vss | V _{IN} , V _{OUT} | -0.5 to +4.6 | -1.0 to +7.0 | V |
| Voltage on Vcc supply relative to Vss | V _{CC} | -0.5 to +4.6 | -1.0 to +7.0 | V |
| Storage Temperature | T _{stg} | -55 to +150 | -55 to +150 | °C |
| Power Dissipation | P _D | 1 | 1 | W |
| Short Circuit Output Current | I _{os} Address | 50 | 50 | mA |

* Permanent device damage may occur if "ABSOLUTE MAXIMUM RATINGS" are exceeded. Functional operation should be restricted to the conditions as detailed in the operational sections of this data sheet. Exposure to absolute maximum rating conditions for extended periods may affect device reliability.

RECOMMENDED OPERATING CONDITIONS (Voltage referenced to Vss, TA= 0 to 70°C)

| Parameter | Symbol | 3.3V | | | 5V | | | Units |
|--------------------|-----------------|--------------------|-----|------------------------------------|--------------------|-----|------------------------------------|-------|
| | | Min | Typ | Max | Min | Typ | Max | |
| Supply Voltage | V _{CC} | 3.0 | 3.3 | 3.6 | 4.5 | 5.0 | 5.5 | V |
| Ground | V _{SS} | 0 | 0 | 0 | 0 | 0 | 0 | V |
| Input High Voltage | V _{IH} | 2.0 | - | V _{CC} +0.3* ¹ | 2.4 | - | V _{CC} +1.0* ¹ | V |
| Input Low Voltage | V _{IL} | -0.3* ² | - | 0.8 | -1.0* ² | - | 0.8 | V |

*1 : V_{CC}+1.3V/15ns(3.3V), V_{CC}+2.0V/20ns(5V), Pulse width is measured at V_{CC}

*2 : -1.3V/15ns(3.3V), -2.0V/20ns(5V), Pulse width is measured at V_{SS}

DC AND OPERATING CHARACTERISTICS (Recommended operating conditions unless otherwise noted.)

| Max | Parameter | Symbol | Min | Max | Units |
|------|--|-------------------|-----|-----|-------|
| 3.3V | Input Leakage Current (Any input 0≤V _{IN} ≤V _{IN} +0.3V, all other input pins not under test=0 Volt) | I _{I(L)} | -5 | 5 | uA |
| | Output Leakage Current (Data out is disabled, 0V≤V _{OUT} ≤V _{CC}) | I _{O(L)} | -5 | 5 | uA |
| | Output High Voltage Level(I _{OH} =-2mA) | V _{OH} | 2.4 | - | V |
| | Output Low Voltage Level(I _{OL} =2mA) | V _{OL} | - | 0.4 | V |
| 5V | Input Leakage Current (Any input 0≤V _{IN} ≤V _{IN} +0.5V, all other input pins not under test=0 Volt) | I _{I(L)} | -5 | 5 | uA |
| | Output Leakage Current (Data out is disabled, 0V≤V _{OUT} ≤V _{CC}) | I _{O(L)} | -5 | 5 | uA |
| | Output High Voltage Level(I _{OH} =-5mA) | V _{OH} | 2.4 | - | V |
| | Output Low Voltage Level(I _{OL} =4.2mA) | V _{OL} | - | 0.4 | V |



DC AND OPERATING CHARACTERISTICS (Continued)

| Symbol | Power | Speed | Max | | | | Units |
|------------------|-------------|------------|------------|------------|------------|------------|----------|
| | | | K4F171612C | K4F151612C | K4F171611C | K4F151611C | |
| I _{CC1} | Don't care | -50 -60 | 90 80 | 140 130 | 90 80 | 140 130 | mA mA |
| I _{CC2} | Normal L | Don't care | 1 1 | 1 1 | 2 1 | 2 1 | mA mA |
| I _{CC3} | Don't care | -50 -60 | 90 80 | 140 130 | 90 80 | 140 130 | mA mA |
| I _{CC4} | Don't care | -50 -60 | 90 80 | 90 80 | 90 80 | 90 80 | mA mA |
| I _{CC5} | Normal L | Don't care | 0.5 200 | 0.5 200 | 1 200 | 1 200 | mA uA |
| I _{CC6} | Don't care | -50 -60 | 90 80 | 140 130 | 90 80 | 140 130 | mA mA |
| I _{CC7} | L | Don't care | 300 | 200 | 350 | 250 | uA |
| I _{CCS} | L | Don't care | 150 | 150 | 200 | 200 | uA |

I_{CC1}* : Operating Current ($\overline{\text{RAS}}$ and $\overline{\text{UCAS}}$, $\overline{\text{LCAS}}$ cycling @t_{RC}=min.)

I_{CC2} : Standby Current ($\overline{\text{RAS}}=\overline{\text{UCAS}}=\overline{\text{LCAS}}=\overline{\text{W}}=\text{V}_{\text{IH}}$)

I_{CC3}* : RAS-only Refresh Current ($\overline{\text{UCAS}}=\overline{\text{LCAS}}=\text{V}_{\text{IH}}$, $\overline{\text{RAS}}$ cycling @t_{RC}=min.)

I_{CC4}* : Fast Page Mode Current ($\overline{\text{RAS}}=\text{V}_{\text{IL}}$, $\overline{\text{UCAS}}$ or $\overline{\text{LCAS}}$, Address cycling @t_{PC}=min.)

I_{CC5} : Standby Current ($\overline{\text{RAS}}=\overline{\text{UCAS}}=\overline{\text{LCAS}}=\overline{\text{W}}=\text{V}_{\text{CC}}-0.2\text{V}$)

I_{CC6}* : CAS-Before-RAS Refresh Current ($\overline{\text{RAS}}$, $\overline{\text{UCAS}}$ or $\overline{\text{LCAS}}$ cycling @t_{RC}=min.)

I_{CC7} : Battery back-up current, Average power supply current, Battery back-up mode

Input high voltage(V_{IH})=V_{CC}-0.2V, Input low voltage(V_{IL})=0.2V, $\overline{\text{UCAS}}$, $\overline{\text{LCAS}}=0.2\text{V}$,

DQ=Don't care, T_{RC}=31.25us(4K/L-ver), 125us(1K/L-ver),

T_{RA}S=T_{RA}S_{min}~300ns

I_{CCS} : Self Refresh Current

$\overline{\text{RAS}}=\overline{\text{UCAS}}=\overline{\text{LCAS}}=\text{V}_{\text{IL}}$, $\overline{\text{W}}=\overline{\text{OE}}=\text{A}0 \sim \text{A}11=\text{V}_{\text{CC}}-0.2\text{V}$ or 0.2V,

DQ0 ~ DQ15=V_{CC}-0.2V, 0.2V or Open

***Note** : I_{CC1}, I_{CC3}, I_{CC4} and I_{CC6} are dependent on output loading and cycle rates. Specified values are obtained with the output open. I_{CC} is specified as an average current. In I_{CC1}, I_{CC3} and I_{CC6}, address can be changed maximum once while $\overline{\text{RAS}}=\text{V}_{\text{IL}}$. In I_{CC4}, address can be changed maximum once within one fast page mode cycle time, t_{PC}.

K4F171611C, K4F151611C K4F171612C, K4F151612C

CMOS DRAM

CAPACITANCE (TA=25°C, VCC=5V or 3.3V, f=1MHz)

| Parameter | Symbol | Min | Max | Units |
|--|--------|-----|-----|-------|
| Input capacitance [A0 ~ A11] | CIN1 | - | 5 | pF |
| Input capacitance [$\overline{\text{RAS}}$, $\overline{\text{UCAS}}$, $\overline{\text{LCAS}}$, $\overline{\text{W}}$, $\overline{\text{OE}}$] | CIN2 | - | 7 | pF |
| Output capacitance [DQ0 - DQ15] | CDQ | - | 7 | pF |

AC CHARACTERISTICS (0°C ≤ TA ≤ 70°C, See note 1,2)

Test condition (5V device) : VCC=5.0V±10%, Vih/Vil=2.4/0.8V, Voh/Vol=2.4/0.4V

Test condition (3.3V device) : VCC=3.3V±0.3V, Vih/Vil=2.2/0.7V, Voh/Vol=2.0/0.8V

| Parameter | Symbol | -50 | | -60 | | Units | Notes |
|---|--------|-----|-----|-----|-----|-------|--------|
| | | Min | Max | Min | Max | | |
| Random read or write cycle time | tRC | 90 | | 110 | | ns | |
| Read-modify-write cycle time | tRWC | 133 | | 155 | | ns | |
| Access time from $\overline{\text{RAS}}$ | tRAC | | 50 | | 60 | ns | 3,4,10 |
| Access time from $\overline{\text{CAS}}$ | tCAC | | 15 | | 15 | ns | 3,4,5 |
| Access time from column address | tAA | | 25 | | 30 | ns | 3,10 |
| $\overline{\text{CAS}}$ to output in Low-Z | tCLZ | 0 | | 0 | | ns | 3 |
| Output buffer turn-off delay | tOFF | 0 | 13 | 0 | 15 | ns | 6 |
| Transition time (rise and fall) | tT | 3 | 50 | 3 | 50 | ns | 2 |
| $\overline{\text{RAS}}$ precharge time | tRP | 30 | | 40 | | ns | |
| $\overline{\text{RAS}}$ pulse width | tRAS | 50 | 10K | 60 | 10K | ns | |
| $\overline{\text{RAS}}$ hold time | tRSH | 13 | | 15 | | ns | |
| $\overline{\text{CAS}}$ hold time | tCSH | 50 | | 60 | | ns | |
| $\overline{\text{CAS}}$ pulse width | tCAS | 13 | 10K | 15 | 10K | ns | |
| $\overline{\text{RAS}}$ to $\overline{\text{CAS}}$ delay time | tRCD | 20 | 37 | 20 | 45 | ns | 4 |
| $\overline{\text{RAS}}$ to column address delay time | tRAD | 15 | 25 | 15 | 30 | ns | 10 |
| $\overline{\text{CAS}}$ to $\overline{\text{RAS}}$ precharge time | tCRP | 5 | | 5 | | ns | |
| Row address set-up time | tASR | 0 | | 0 | | ns | |
| Row address hold time | tRAH | 10 | | 10 | | ns | |
| Column address set-up time | tASC | 0 | | 0 | | ns | 11 |
| Column address hold time | tCAH | 10 | | 10 | | ns | 11 |
| Column address to $\overline{\text{RAS}}$ lead time | tRAL | 25 | | 30 | | ns | |
| Read command set-up time | tRCS | 0 | | 0 | | ns | |
| Read command hold time referenced to $\overline{\text{CAS}}$ | tRCH | 0 | | 0 | | ns | 8 |
| Read command hold time referenced to $\overline{\text{RAS}}$ | tRRH | 0 | | 0 | | ns | 8 |
| Write command hold time | tWCH | 10 | | 10 | | ns | |
| Write command pulse width | tWP | 10 | | 10 | | ns | |
| Write command to $\overline{\text{RAS}}$ lead time | tRWL | 13 | | 15 | | ns | |
| Write command to $\overline{\text{CAS}}$ lead time | tCWL | 13 | | 15 | | ns | |



AC CHARACTERISTICS (Continued)

| Parameter | Symbol | -50 | | -60 | | Units | Notes |
|---|--------|-----|------|-----|------|-------|----------|
| | | Min | Max | Min | Max | | |
| Data set-up time | tDS | 0 | | 0 | | ns | 9,17 |
| Data hold time | tDH | 10 | | 10 | | ns | 9,17 |
| Refresh period (1K, Normal) | tREF | | 16 | | 16 | ms | |
| Refresh period (4K, Normal) | tREF | | 64 | | 64 | ms | |
| Refresh period (L-ver) | tREF | | 128 | | 128 | ms | |
| Write command set-up time | twCS | 0 | | 0 | | ns | 7 |
| $\overline{\text{CAS}}$ to $\overline{\text{W}}$ delay time | tCWD | 36 | | 40 | | ns | 7,13 |
| $\overline{\text{RAS}}$ to $\overline{\text{W}}$ delay time | trWD | 73 | | 85 | | ns | 7 |
| Column address to $\overline{\text{W}}$ delay time | tAWD | 48 | | 55 | | ns | 7 |
| $\overline{\text{CAS}}$ precharge to $\overline{\text{W}}$ delay time | tCPWD | 53 | | 60 | | ns | 7 |
| $\overline{\text{CAS}}$ set-up time ($\overline{\text{CAS}}$ -before- $\overline{\text{RAS}}$ refresh) | tCSR | 5 | | 5 | | ns | 15 |
| $\overline{\text{CAS}}$ hold time ($\overline{\text{CAS}}$ -before- $\overline{\text{RAS}}$ refresh) | tCHR | 10 | | 10 | | ns | 16 |
| $\overline{\text{RAS}}$ to $\overline{\text{CAS}}$ precharge time | trPC | 5 | | 5 | | ns | |
| Access time from $\overline{\text{CAS}}$ precharge | tCPA | | 30 | | 35 | ns | 3 |
| Fast Page mode cycle time | tPC | 35 | | 40 | | ns | |
| Fast Page read-modify-write cycle time | tPRWC | 76 | | 80 | | ns | |
| $\overline{\text{CAS}}$ precharge time (Fast Page cycle) | tCP | 10 | | 10 | | ns | 12 |
| $\overline{\text{RAS}}$ pulse width (Fast Page cycle) | trASP | 50 | 200K | 60 | 200K | ns | |
| $\overline{\text{RAS}}$ hold time from $\overline{\text{CAS}}$ precharge | trHCP | 30 | | 35 | | ns | |
| $\overline{\text{OE}}$ access time | tOEA | | 13 | | 15 | ns | 3 |
| $\overline{\text{OE}}$ to data delay | tOED | 13 | | 15 | | ns | |
| Output buffer turn off delay time from $\overline{\text{OE}}$ | tOEZ | 0 | 13 | 0 | 15 | ns | |
| $\overline{\text{OE}}$ command hold time | tOEH | 13 | | 15 | | ns | |
| $\overline{\text{RAS}}$ pulse width ($\overline{\text{C}}$ -B- $\overline{\text{R}}$ self refresh) | trASS | 100 | | 100 | | us | 18,19,20 |
| $\overline{\text{RAS}}$ precharge time ($\overline{\text{C}}$ -B- $\overline{\text{R}}$ self refresh) | trPS | 90 | | 110 | | ns | 18,19,20 |
| $\overline{\text{CAS}}$ hold time ($\overline{\text{C}}$ -B- $\overline{\text{R}}$ self refresh) | tCHS | -50 | | -50 | | ns | 18,19,20 |

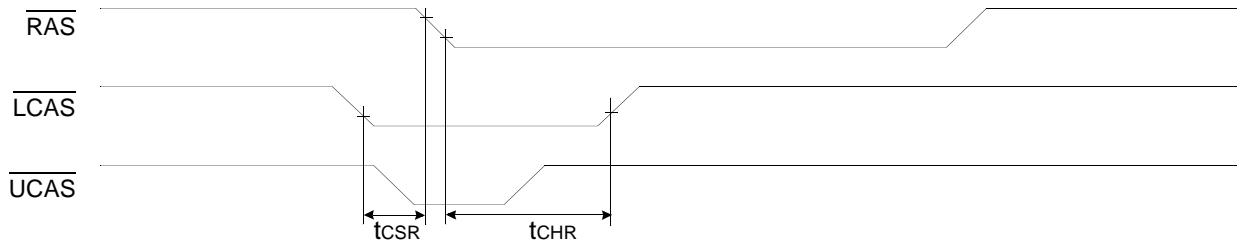
NOTES

1. An initial pause of 200us is required after power-up followed by any 8 $\overline{\text{RAS}}$ -only refresh or $\overline{\text{CAS}}$ -before- $\overline{\text{RAS}}$ refresh cycles before proper device operation is achieved.
2. Input voltage levels are V_{ih}/V_{il} . $V_{ih}(\text{min})$ and $V_{il}(\text{max})$ are reference levels for measuring timing of input signals. Transition times are measured between $V_{ih}(\text{min})$ and $V_{il}(\text{max})$ and are assumed to be 5ns for all inputs.
3. Measured with a load equivalent to 2 TTL(5V)/1TTL(3.3V) loads and 100pF.
4. Operation within the $t_{\text{RCD}}(\text{max})$ limit insures that $t_{\text{RAC}}(\text{max})$ can be met. $t_{\text{RCD}}(\text{max})$ is specified as a reference point only. If t_{RCD} is greater than the specified $t_{\text{RCD}}(\text{max})$ limit, then access time is controlled exclusively by t_{CAC} .
5. Assumes that $t_{\text{RCD}} \geq t_{\text{RCD}}(\text{max})$.
6. This parameter defines the time at which the output achieves the open circuit condition and is not referenced to V_{oh} or V_{ol} .
7. t_{WCS} , t_{RWD} , t_{CWD} , t_{AWD} and t_{CPWD} are non restrictive operating parameters. They are included in the data sheet as electrical characteristics only. If $t_{\text{WCS}} \geq t_{\text{WCS}}(\text{min})$, the cycle is an early write cycle and the data output will remain high impedance for the duration of the cycle. If $t_{\text{CWD}} \geq t_{\text{CWD}}(\text{min})$, $t_{\text{RWD}} \geq t_{\text{RWD}}(\text{min})$, $t_{\text{AWD}} \geq t_{\text{AWD}}(\text{min})$ and $t_{\text{CPWD}} \geq t_{\text{CPWD}}(\text{min})$, then the cycle is a read-modify-write cycle and the data output will contain the data read from the selected address. If neither of the above conditions is satisfied, the condition of the data out is indeterminate.
8. Either t_{RCH} or t_{RRH} must be satisfied for a read cycle.
9. These parameters are referenced to $\overline{\text{CAS}}$ falling edge in early write cycles and to $\overline{\text{W}}$ falling edge in $\overline{\text{OE}}$ controlled write cycle and read-modify-write cycles.
10. Operation within the $t_{\text{RAD}}(\text{max})$ limit insures that $t_{\text{RAC}}(\text{max})$ can be met. $t_{\text{RAD}}(\text{max})$ is specified as a reference point only. If t_{RAD} is greater than the specified $t_{\text{RAD}}(\text{max})$ limit, then access time is controlled by t_{AA} .
11. t_{ASC} , t_{CAH} are referenced to the earlier $\overline{\text{CAS}}$ falling edge.
12. t_{CP} is specified from the later $\overline{\text{CAS}}$ rising edge in the previous cycle to the earlier $\overline{\text{CAS}}$ falling edge in the next cycle.

K4F17(5)1611(2)C Truth Table

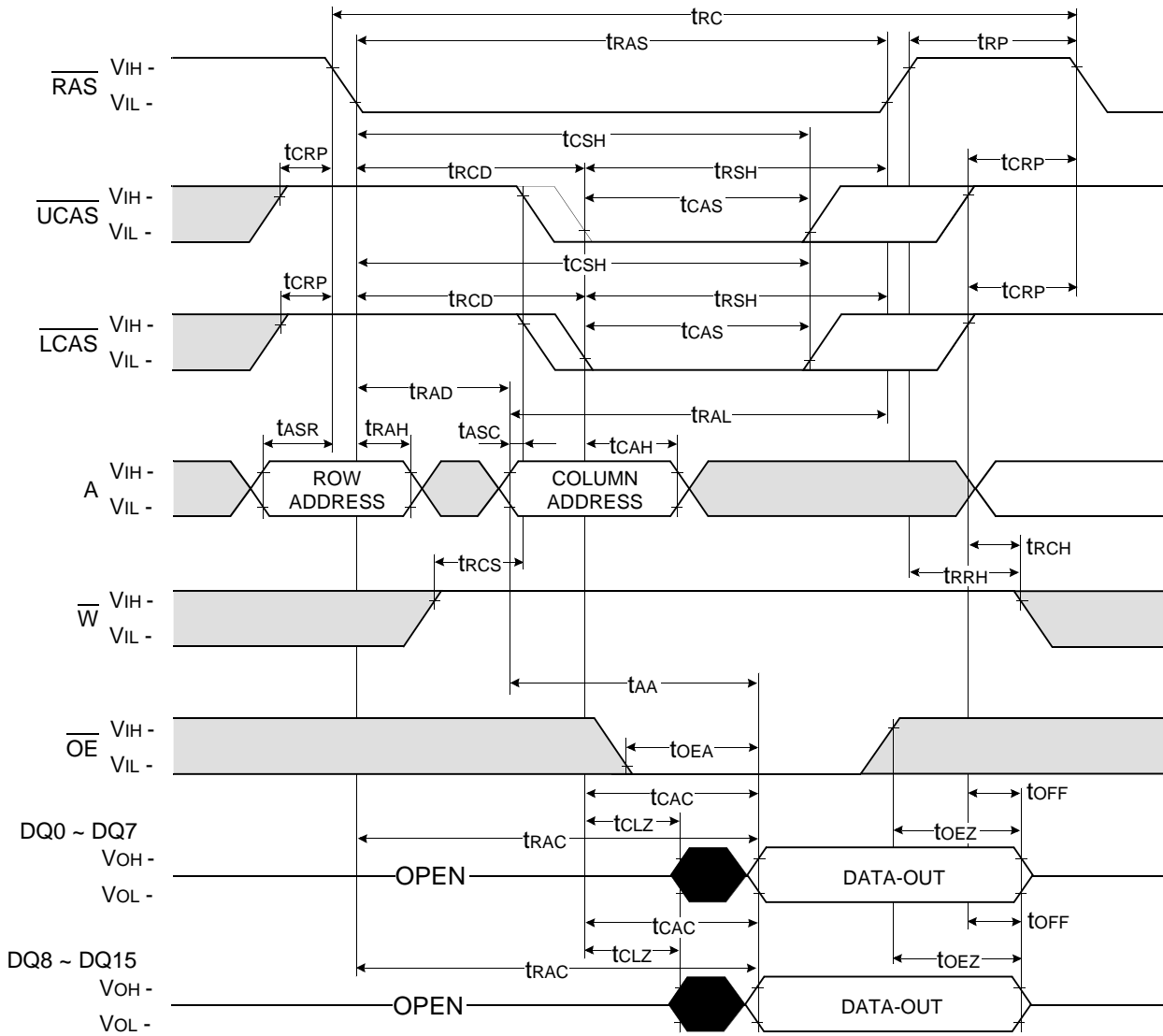
| RAS | LCAS | UCAS | W | OE | DQ0 - DQ7 | DQ8-DQ15 | STATE |
|-----|------|------|---|----|-----------|----------|------------|
| H | X | X | X | X | Hi-Z | Hi-Z | Standby |
| L | H | H | X | X | Hi-Z | Hi-Z | Refresh |
| L | L | H | H | L | DQ-OUT | Hi-Z | Byte Read |
| L | H | L | H | L | Hi-Z | DQ-OUT | Byte Read |
| L | L | L | H | L | DQ-OUT | DQ-OUT | Word Read |
| L | L | H | L | H | DQ-IN | - | Byte Write |
| L | H | L | L | H | - | DQ-IN | Byte Write |
| L | L | L | L | H | DQ-IN | DQ-IN | Word Write |
| L | L | L | H | H | Hi-Z | Hi-Z | - |

13. t_{CWD} is referenced to the later \overline{CAS} falling edge at word read-modify-write cycle.
14. t_{CWL} is specified from \overline{W} falling edge to the earlier \overline{CAS} rising edge.
15. t_{CSR} is referenced to the earlier \overline{CAS} falling edge before \overline{RAS} transition low.
16. t_{CHR} is referenced to the later \overline{CAS} rising edge after \overline{RAS} transition low.



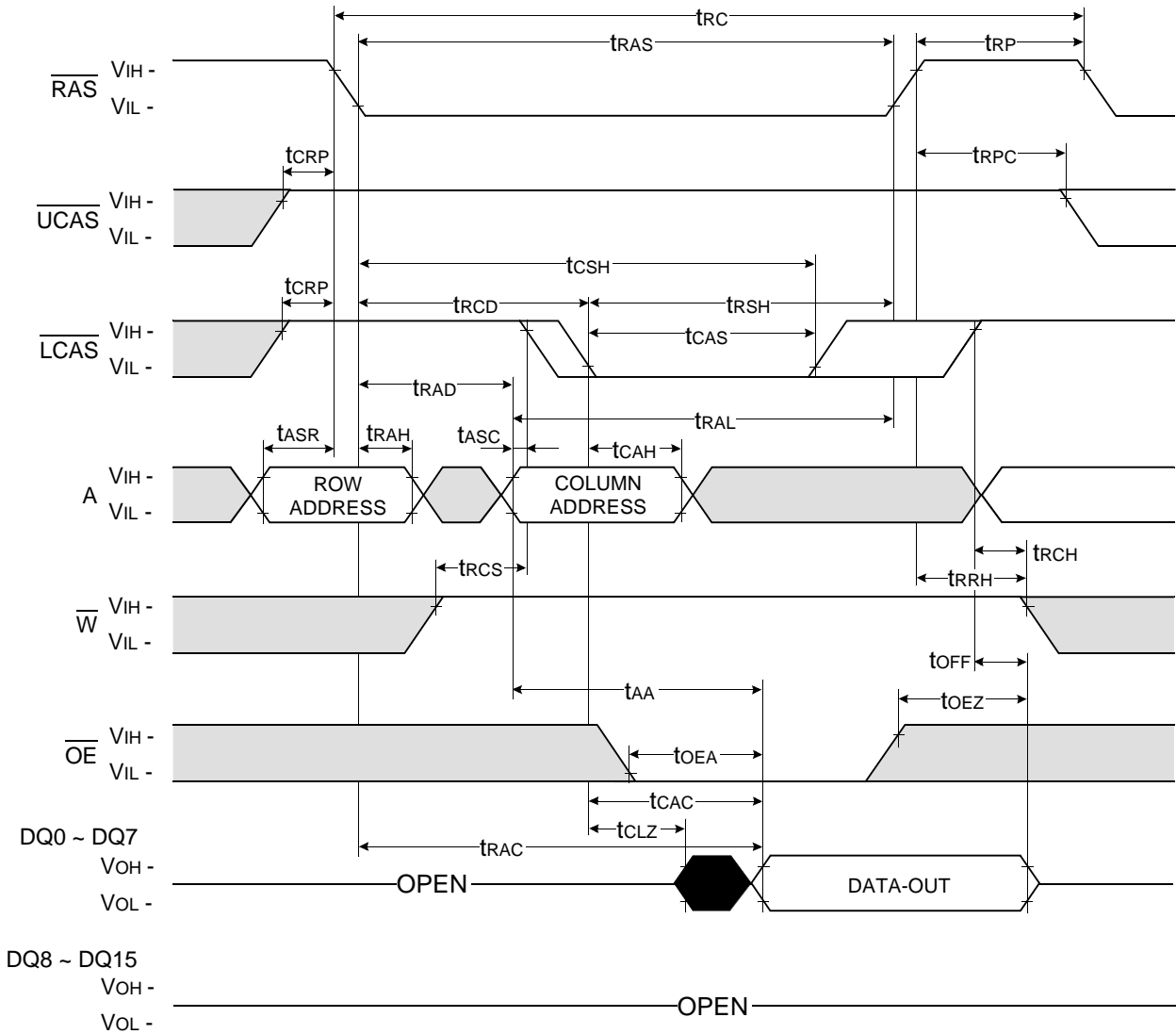
17. t_{DS} , t_{DH} is independently specified for lower byte DQ(0-7), upper byte DQ(8-15)
18. If $t_{RAS} \geq 100\mu s$, then \overline{RAS} precharge time must use t_{RPS} instead of t_{RP} .
19. For \overline{RAS} -only refresh and burst \overline{CAS} -before- \overline{RAS} refresh mode, 4096(4K)/1024(1K) cycles of burst refresh must be executed within 64ms/16ms before and after self refresh, in order to meet refresh specification.
20. For distributed \overline{CAS} -before- \overline{RAS} with 15.6 μs interval \overline{CAS} -before- \overline{RAS} refresh should be executed with in 15.6 μs immediately before and after self refresh in order to meet refresh specification.

WORD READ CYCLE



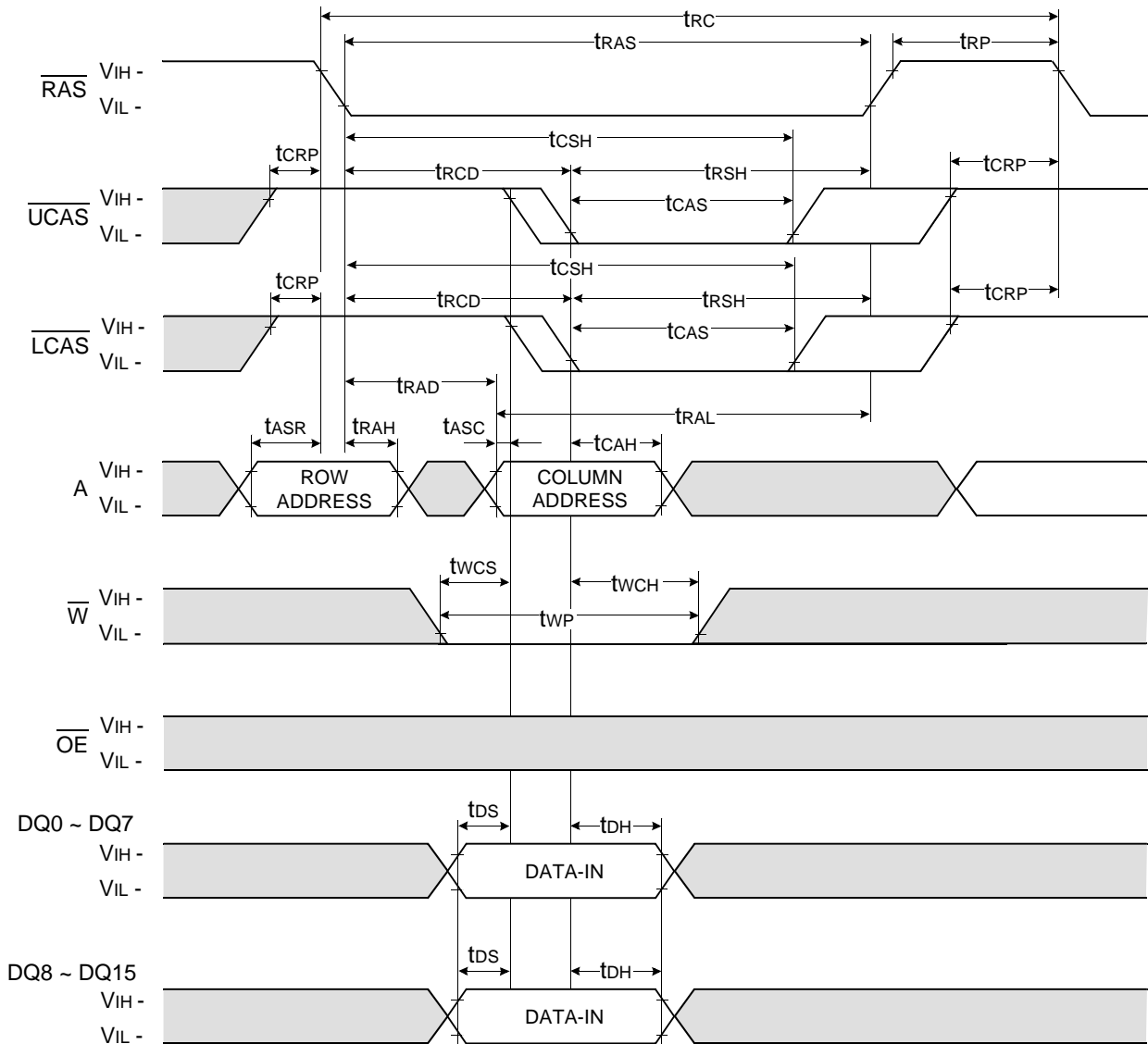
LOWER BYTE READ CYCLE



NOTE : DIN = OPEN



WORD WRITE CYCLE (EARLY WRITE)

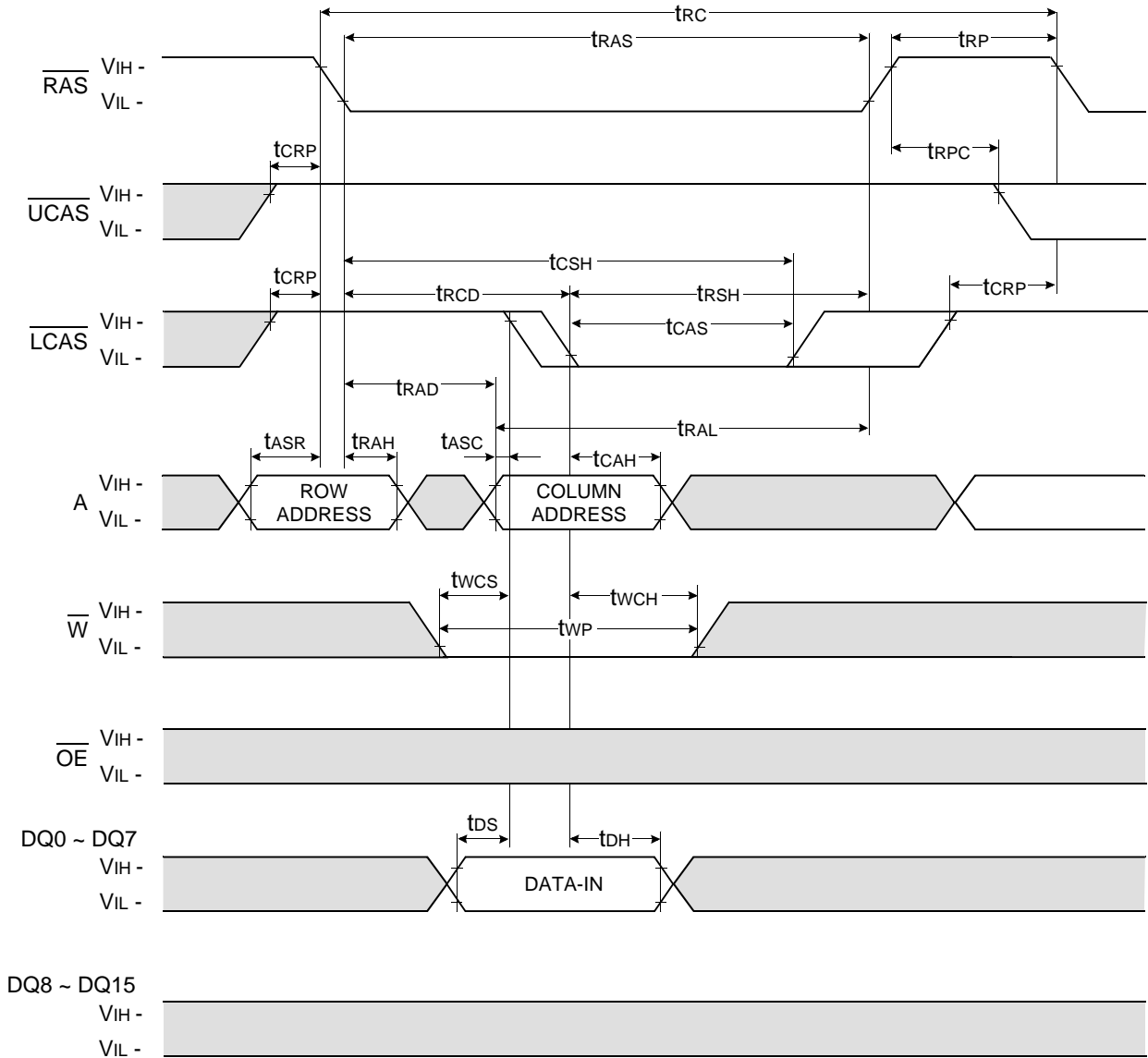
NOTE : DOUT = OPEN



 Don't care
 Undefined

LOWER BYTE WRITE CYCLE (EARLY WRITE)

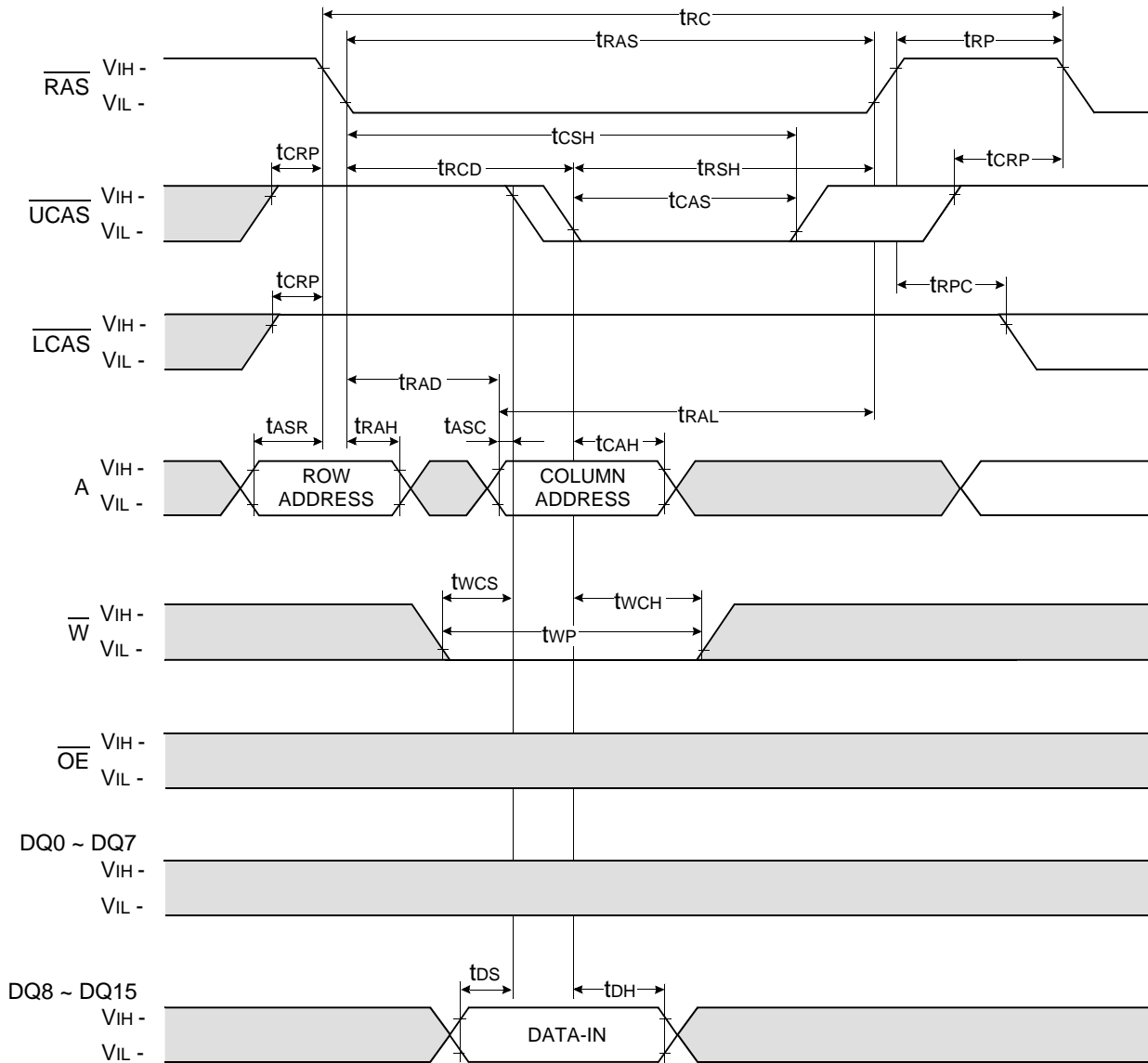
NOTE : DOUT = OPEN



Don't care
 Undefined

UPPER BYTE WRITE CYCLE (EARLY WRITE)

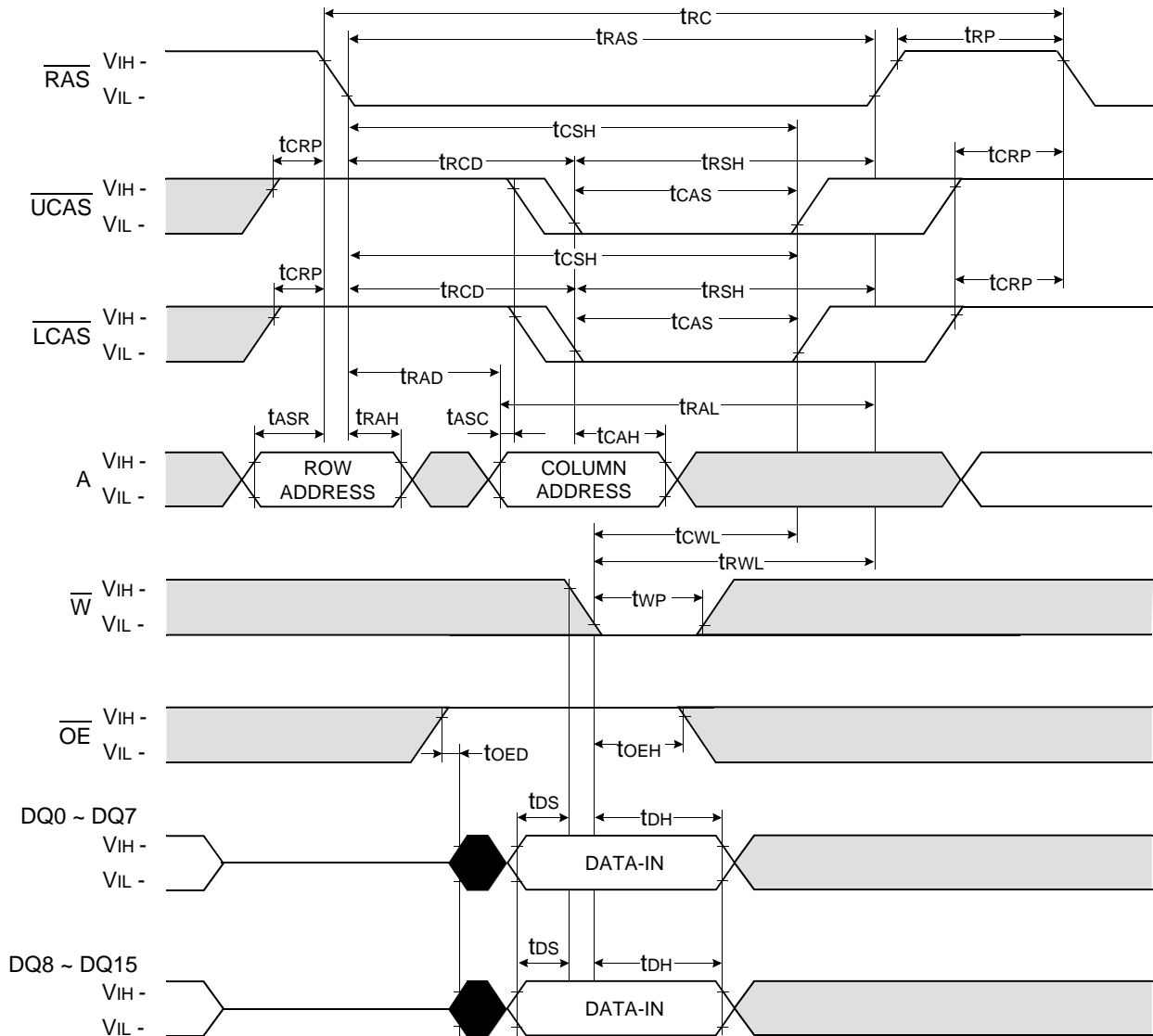
NOTE : DOUT = OPEN



□ Don't care
■ Undefined

WORD WRITE CYCLE ($\overline{\text{OE}}$ CONTROLLED WRITE)

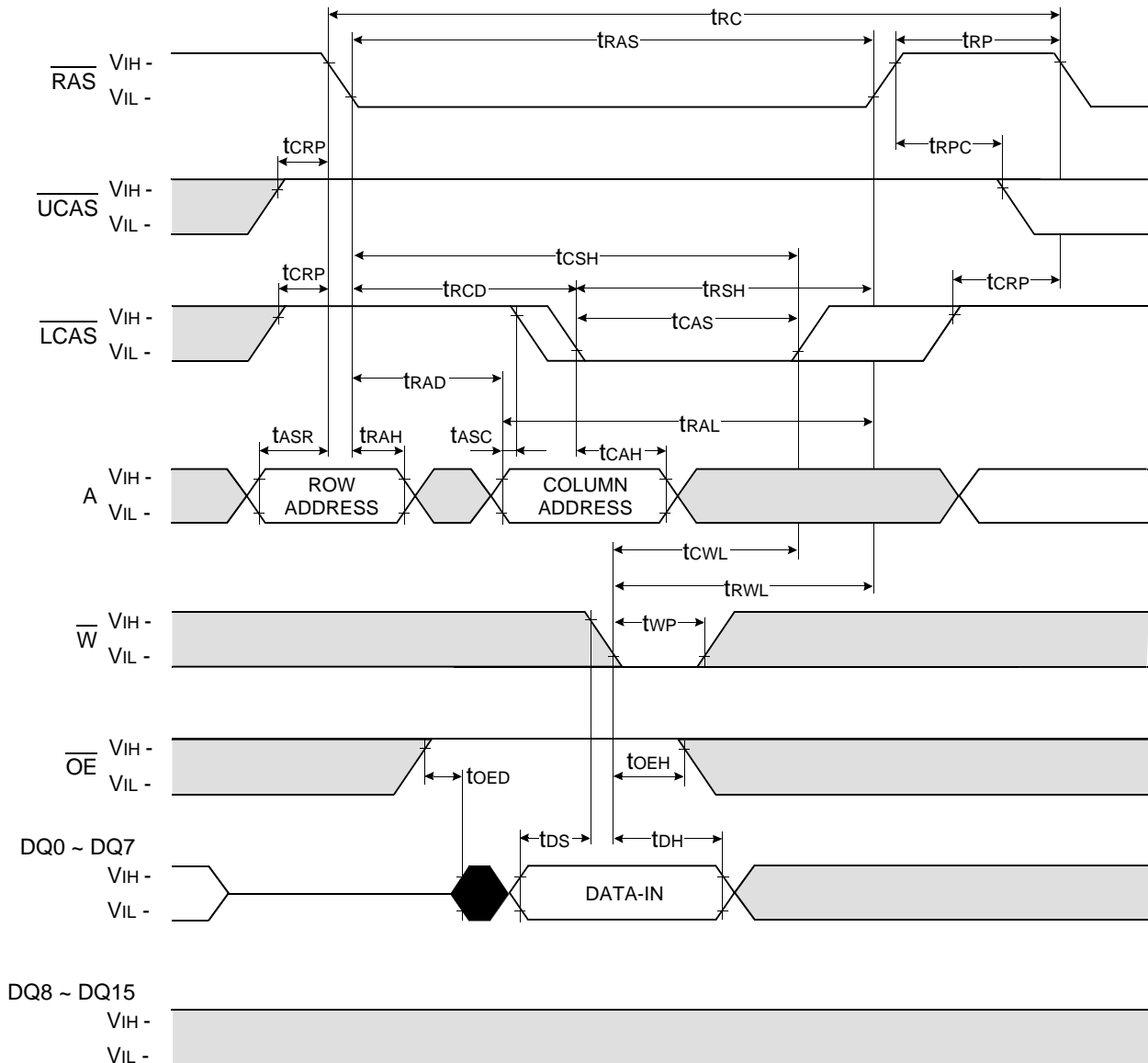
NOTE : DOUT = OPEN



Don't care
 Undefined

LOWER BYTE WRITE CYCLE ($\overline{\text{OE}}$ CONTROLLED WRITE)

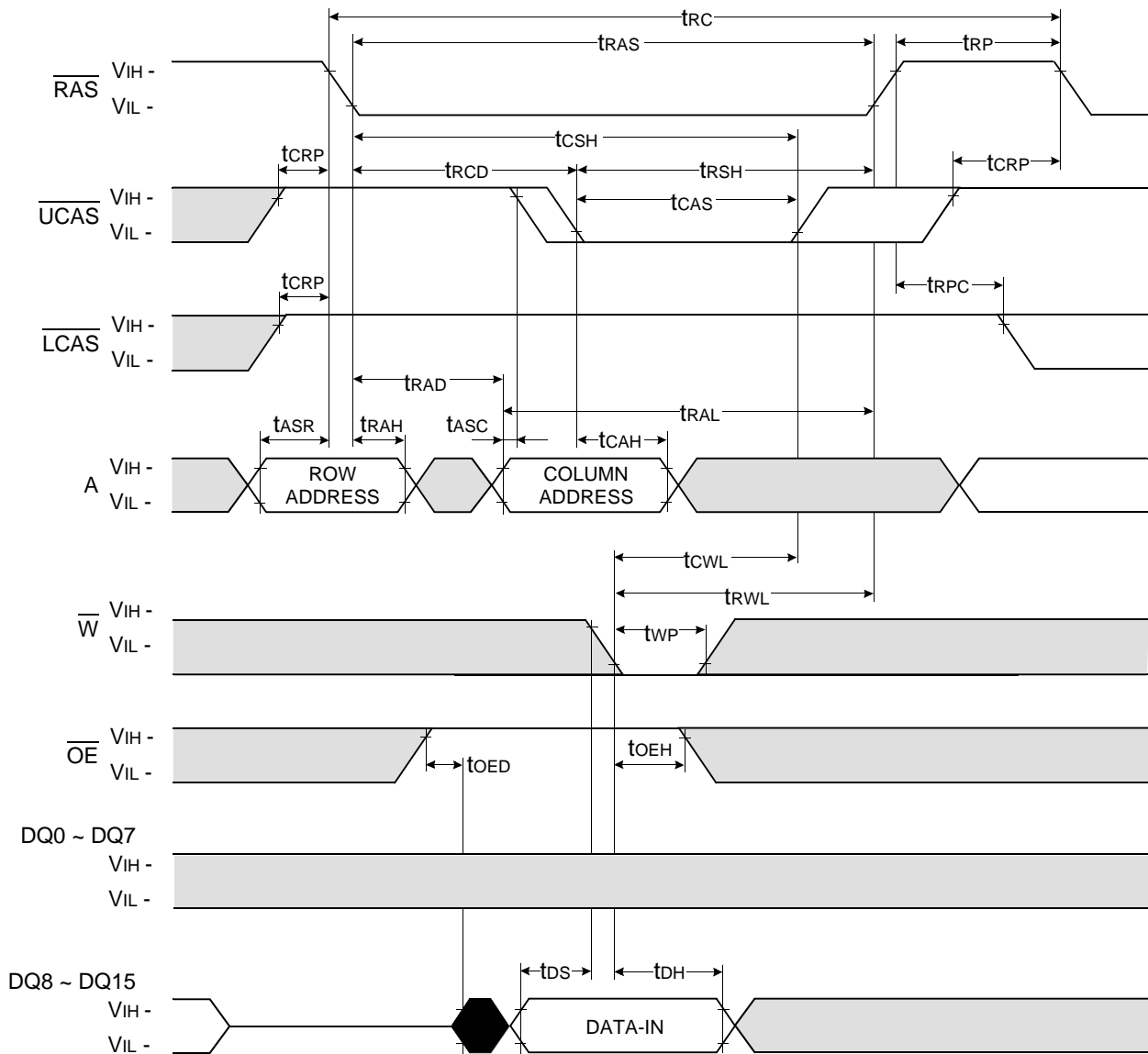
NOTE : DOUT = OPEN





Don't care
 Undefined

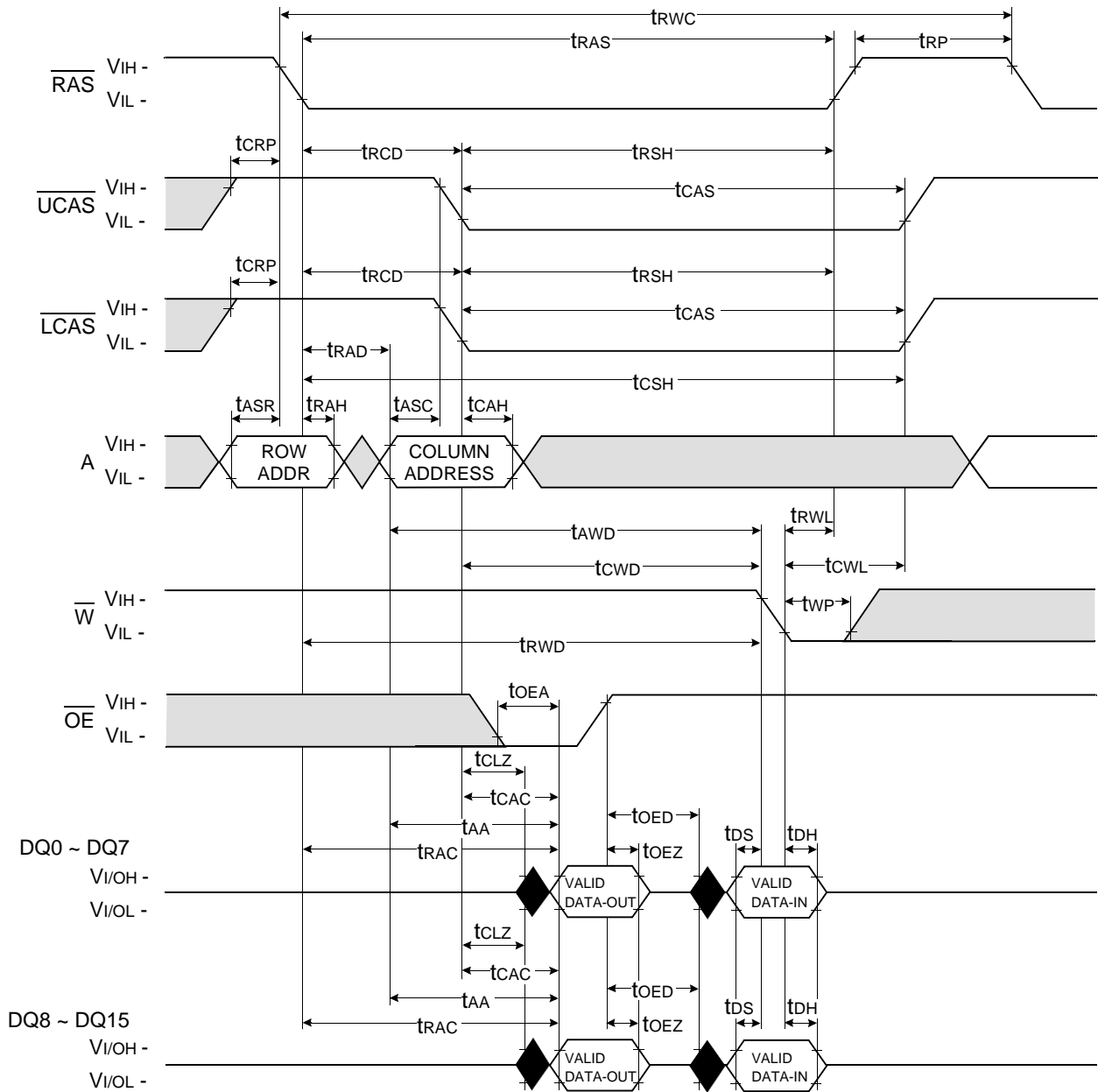
UPPER BYTE WRITE CYCLE ($\overline{\text{OE}}$ CONTROLLED WRITE)

NOTE : DOUT = OPEN



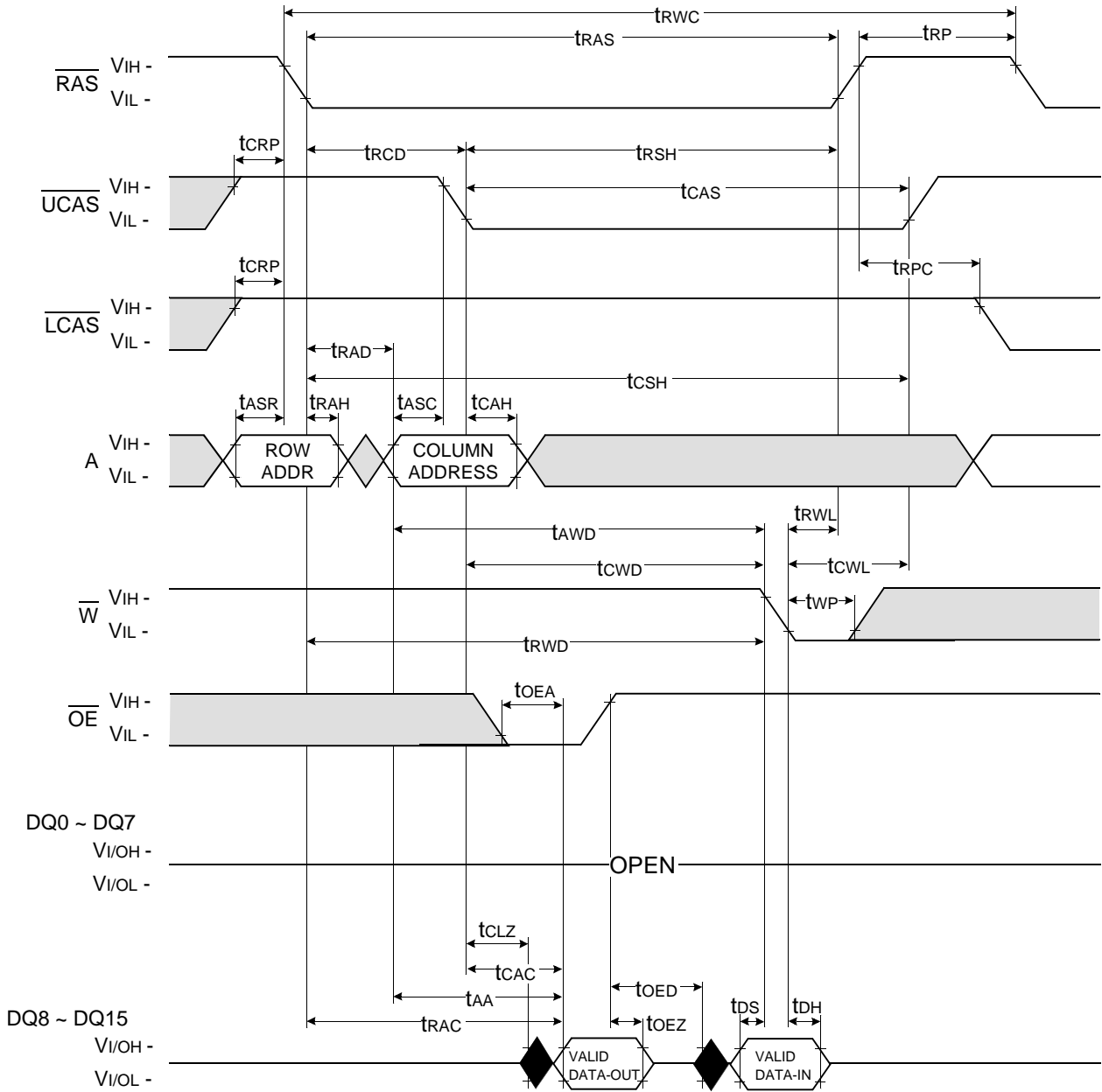
 Don't care
 Undefined

WORD READ - MODIFY - WRITE CYCLE



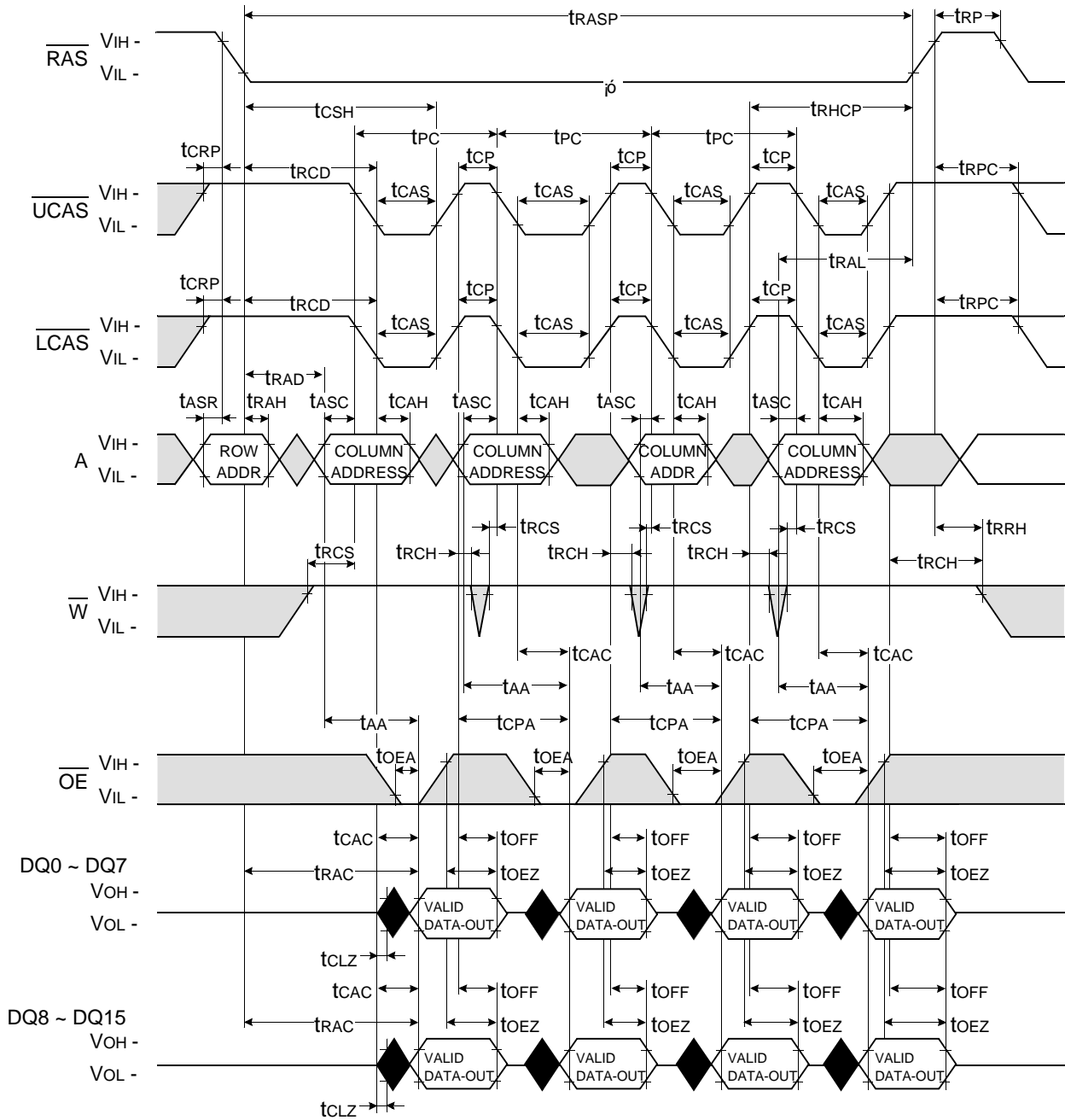
Don't care
 Undefined

UPPER-BYTE READ - MODIFY - WRITE CYCLE



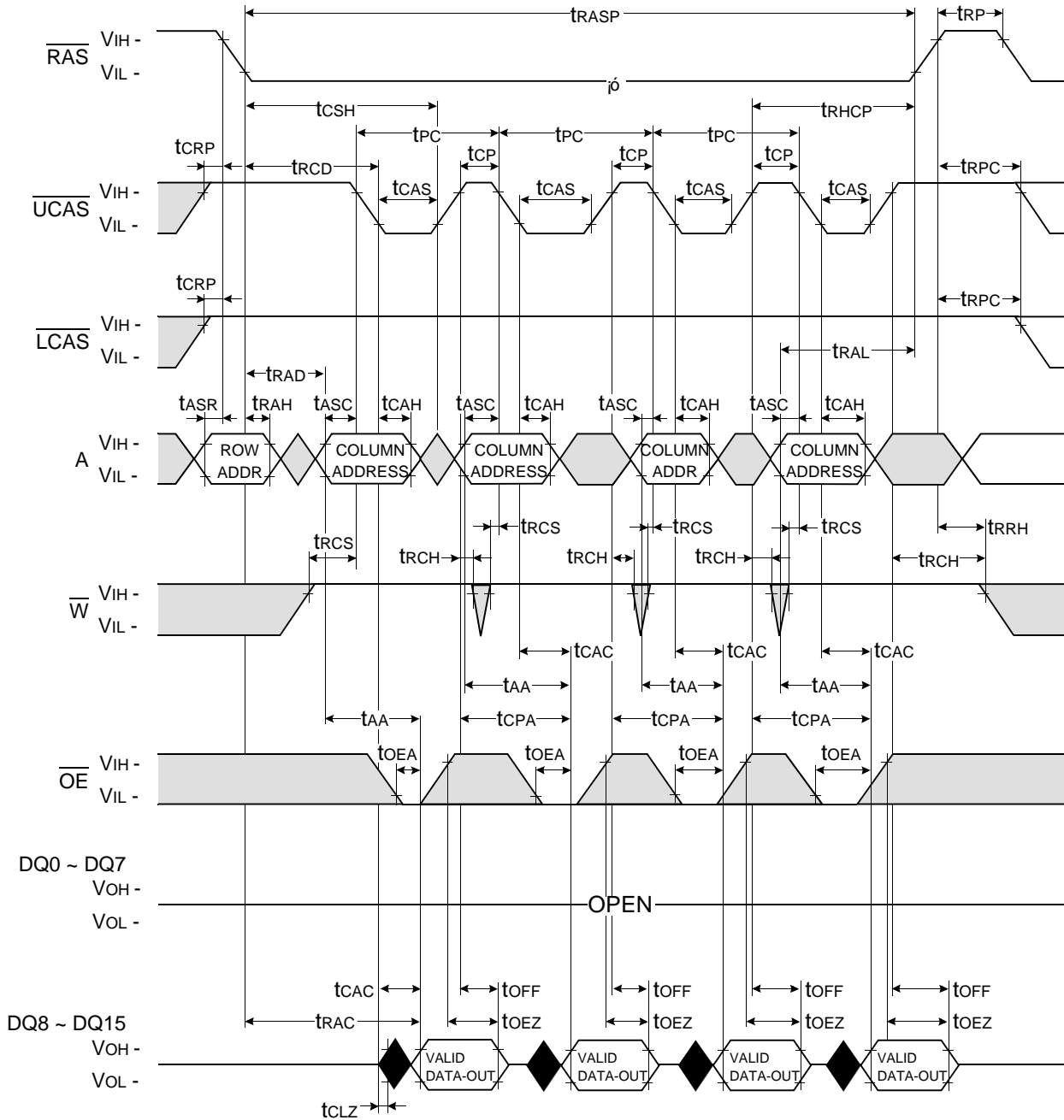
Don't care
 Undefined

FAST PAGE MODE WORD READ CYCLE



Don't care
 Undefined

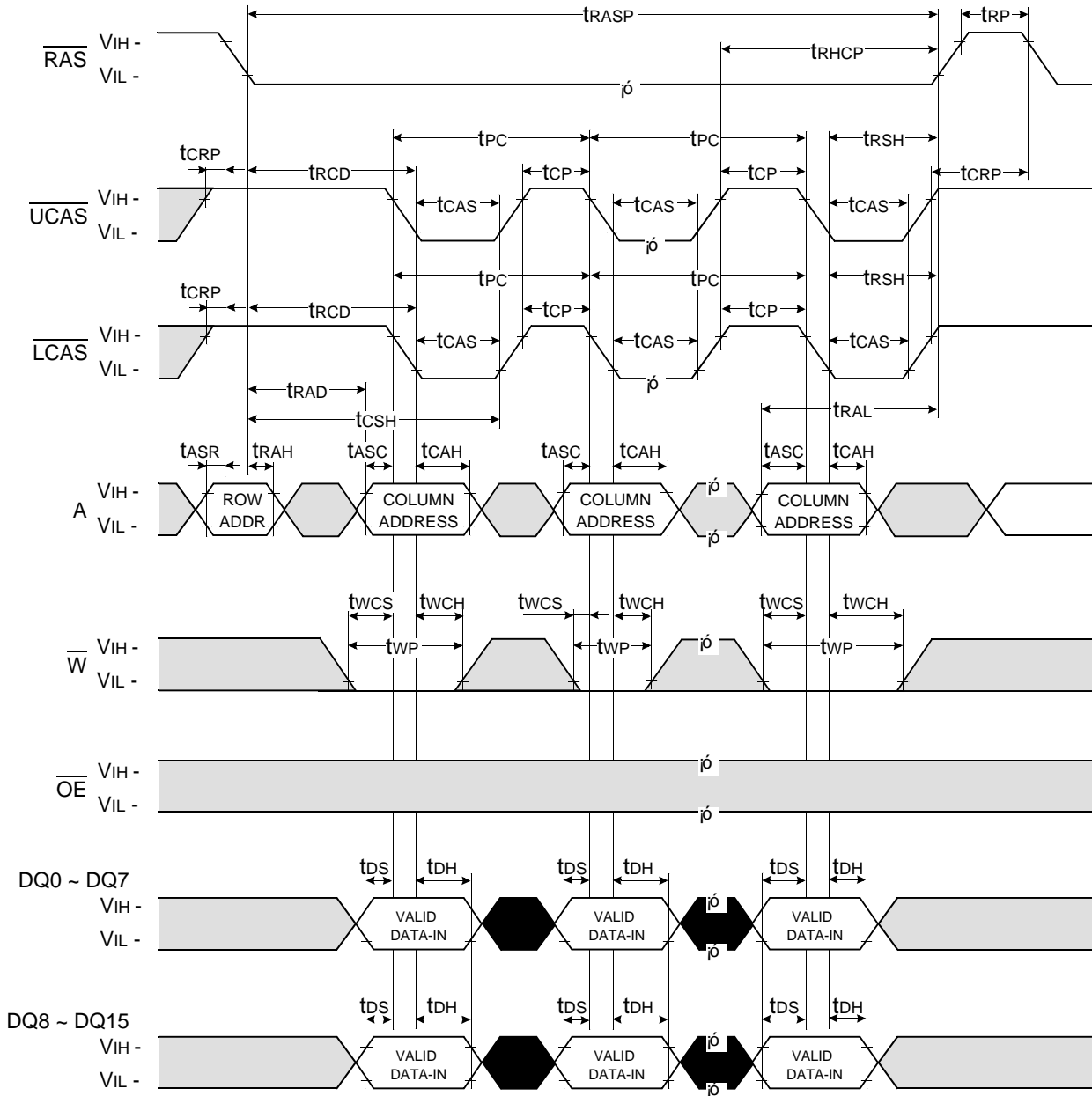
FAST PAGE MODE UPPER BYTE READ CYCLE



□ Don't care
■ Undefined

FAST PAGE MODE WORD WRITE CYCLE (EARLY WRITE)

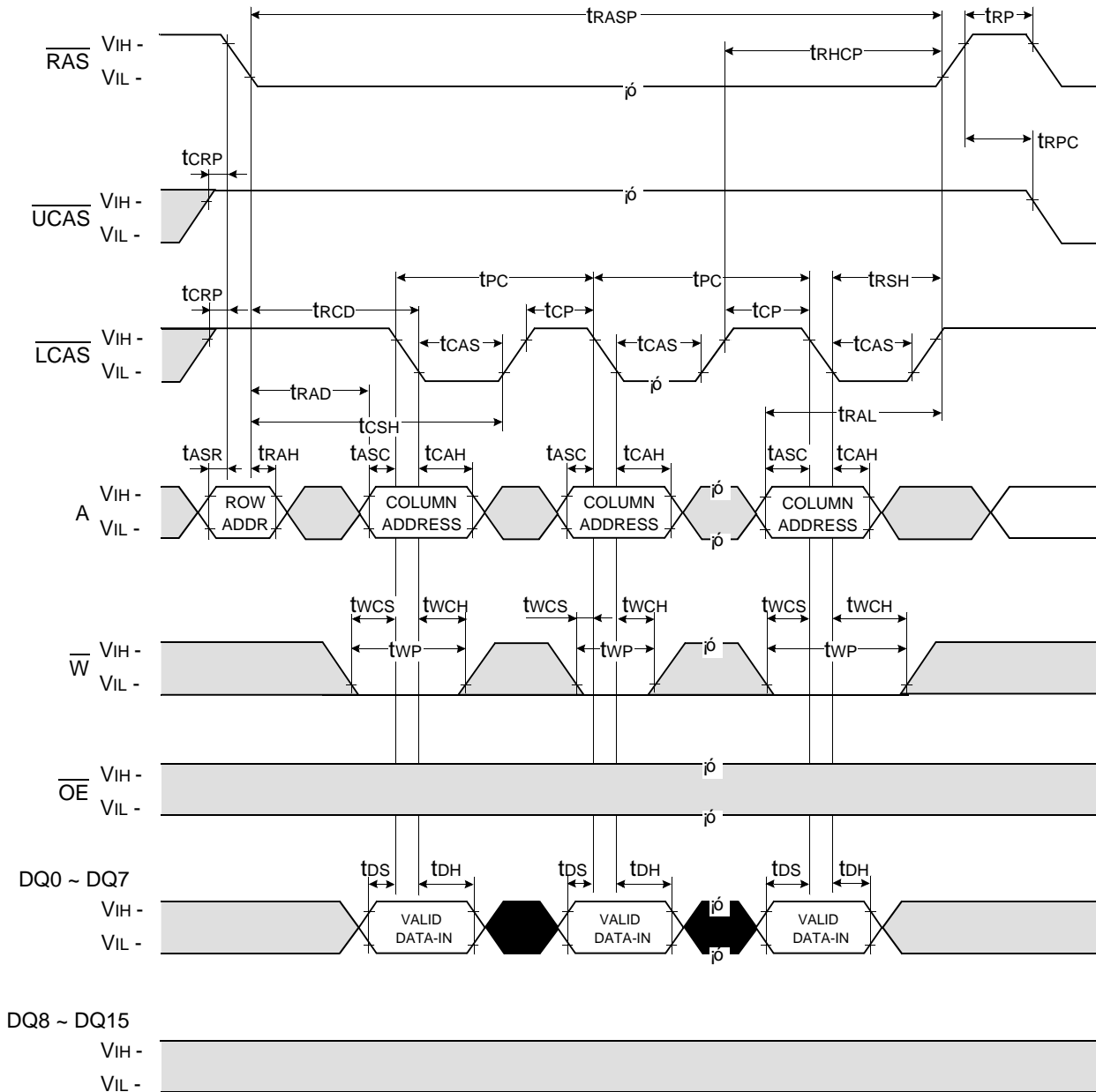
NOTE : DOUT = OPEN



□ Don't care
■ Undefined

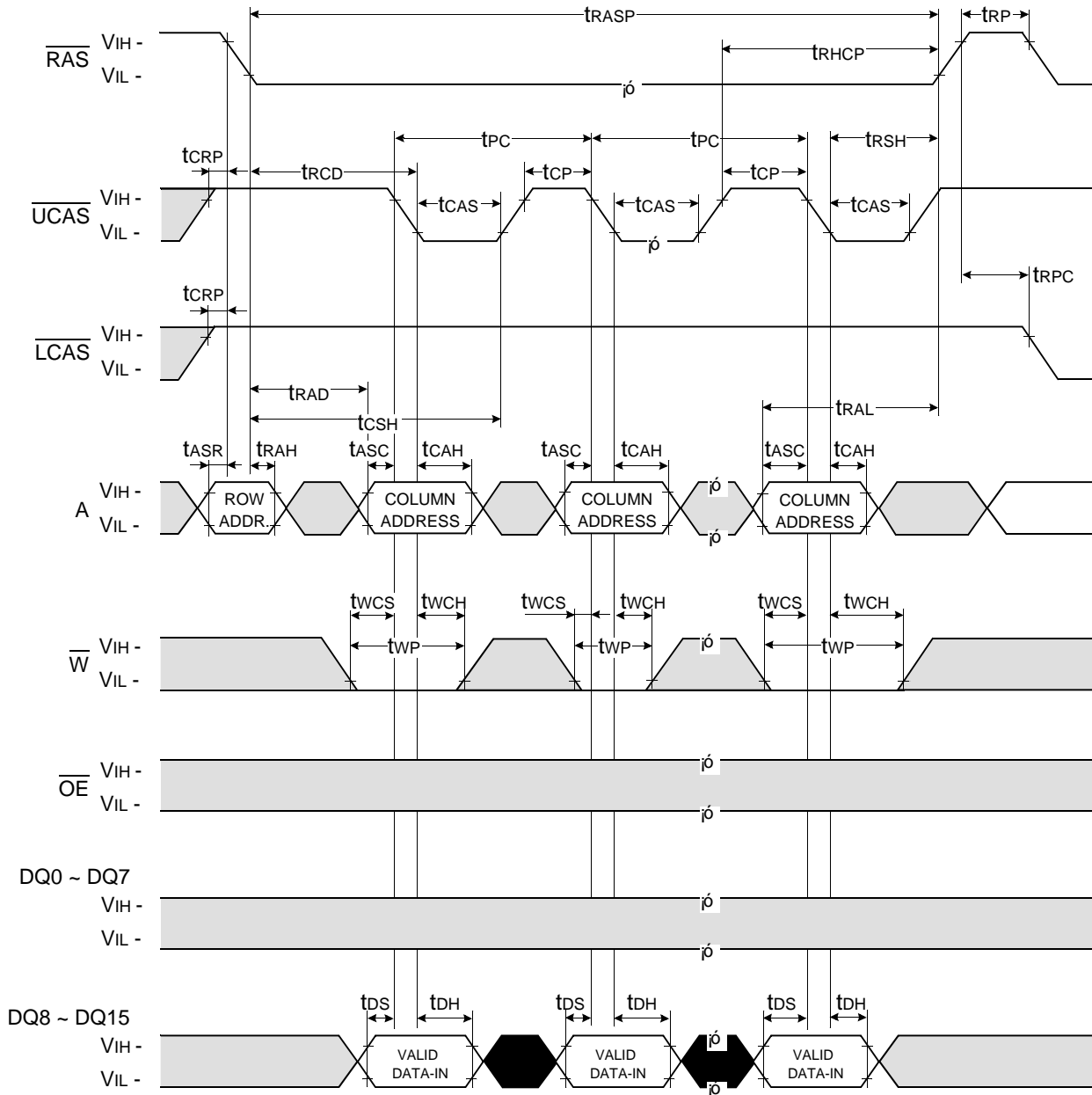
FAST PAGE MODE LOWER BYTE WRITE CYCLE (EARLY WRITE)

NOTE : DOUT = OPEN



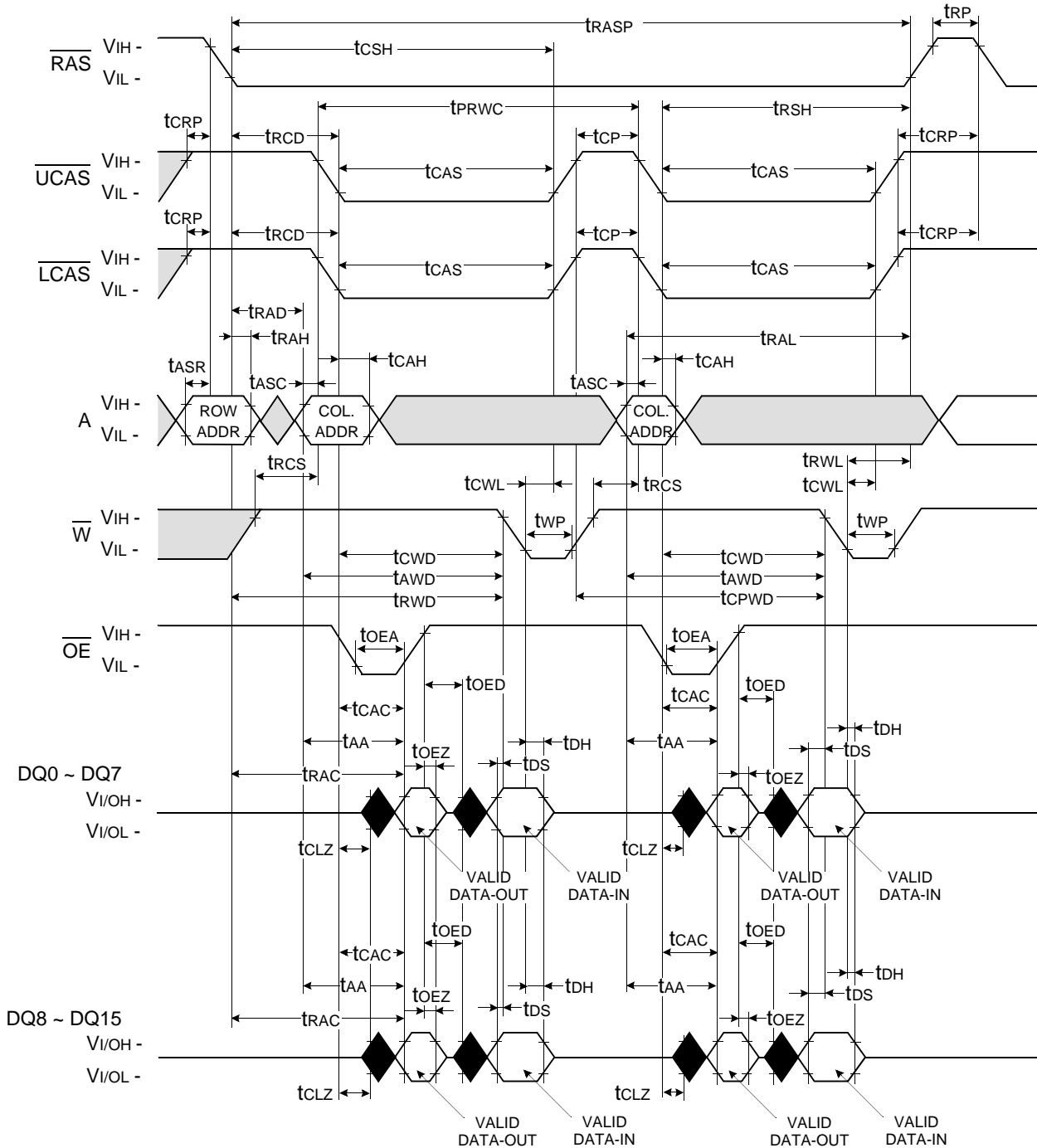
FAST PAGE MODE UPPER BYTE WRITE CYCLE (EARLY WRITE)

NOTE : DOUT = OPEN



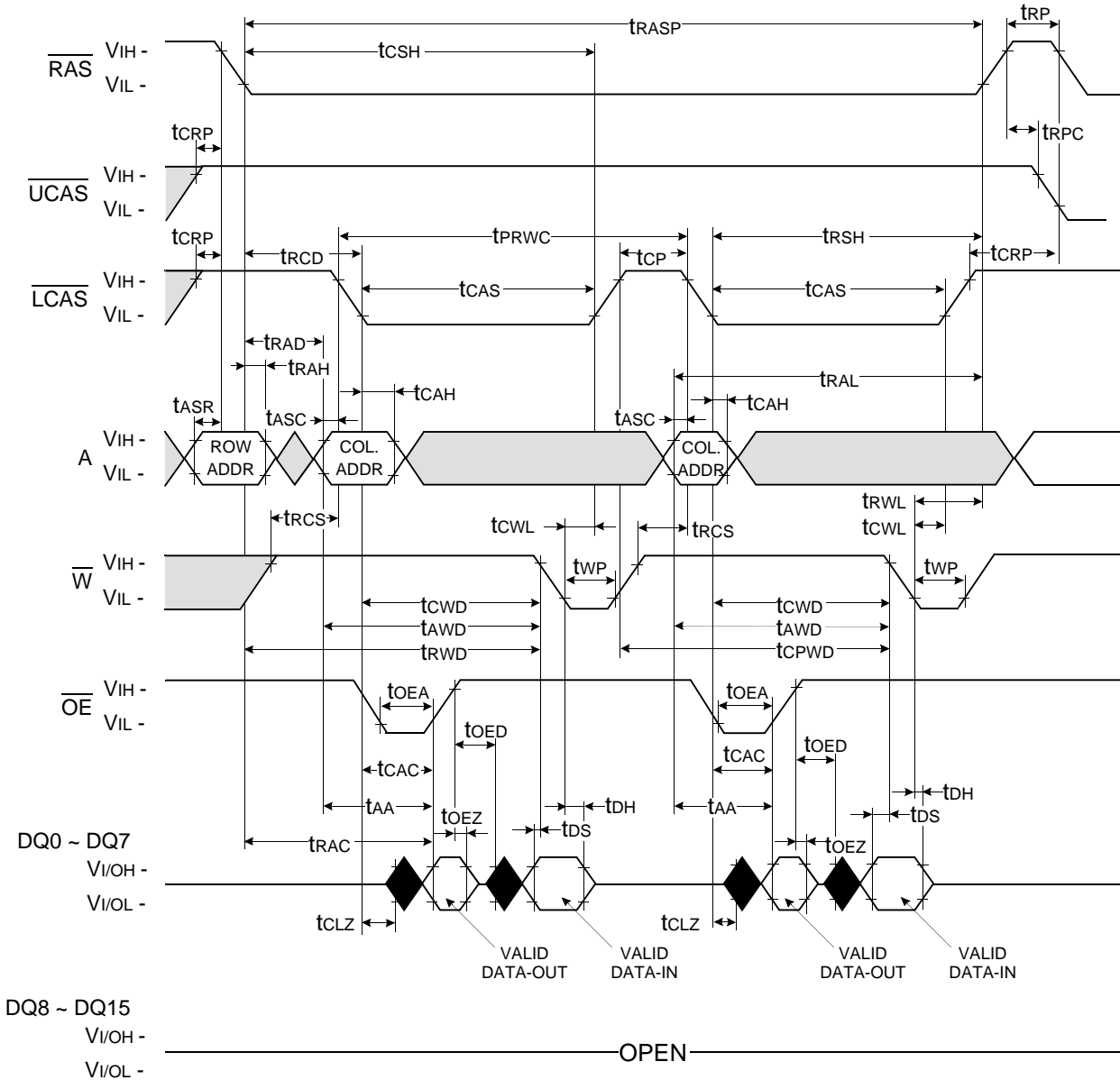
Don't care
 Undefined

FAST PAGE MODE WORD READ-MODIFY-WRITE CYCLE



□ Don't care
 ■ Undefined

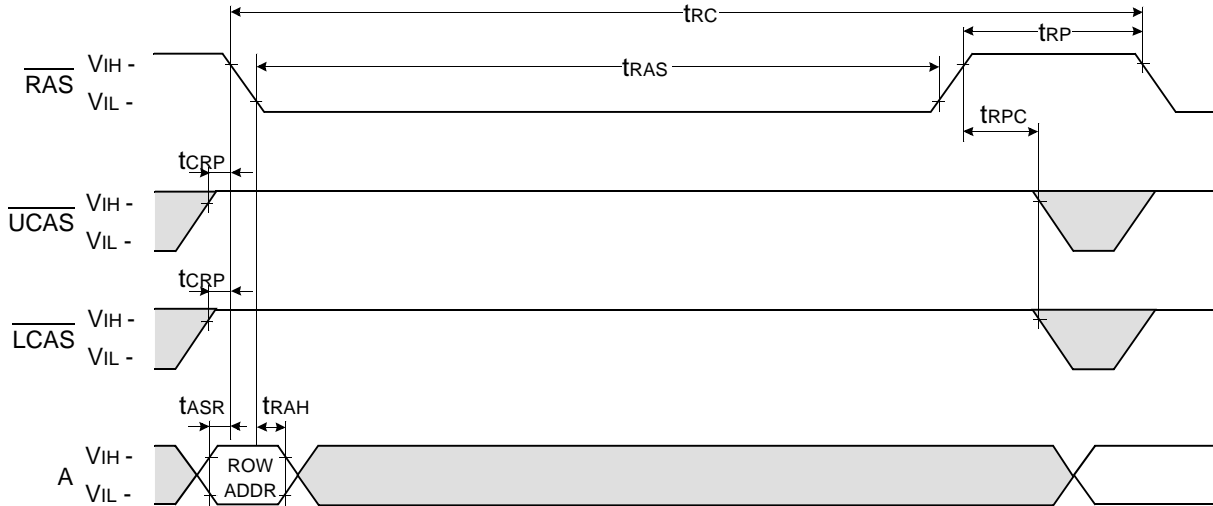
FAST PAGE MODE LOWER BYTE READ - MODIFY - WRITE CYCLE



$\overline{\text{RAS}}$ - ONLY REFRESH CYCLE

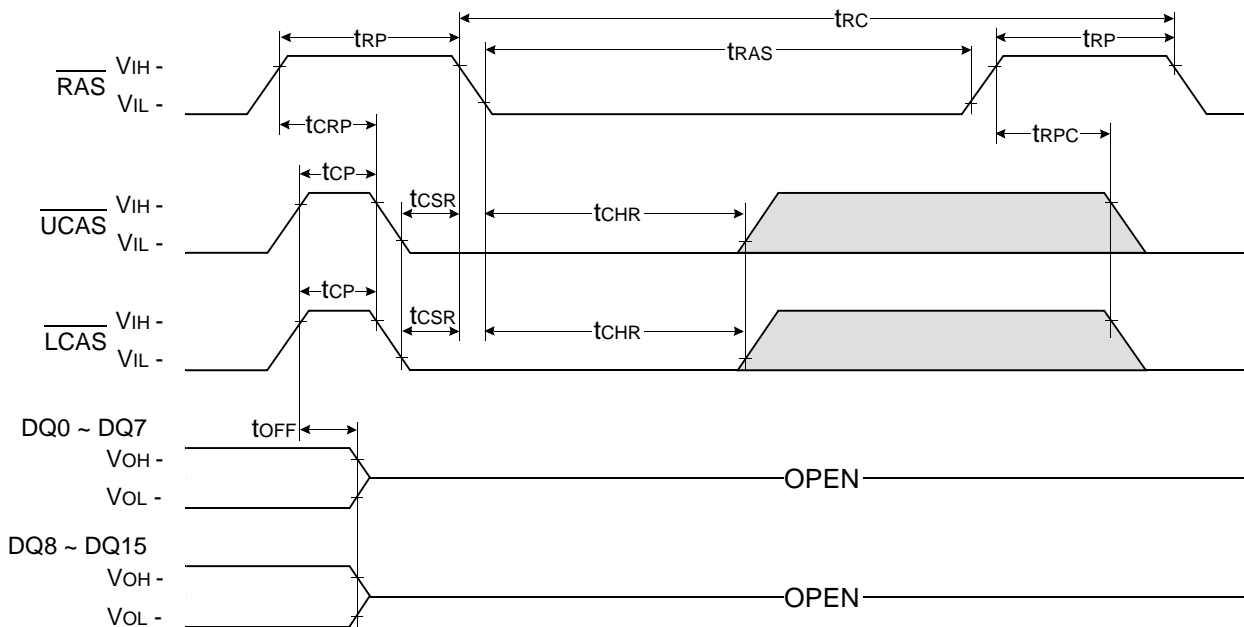
NOTE : $\overline{\text{W}}$, $\overline{\text{OE}}$, DIN = Don't care

DOUT = OPEN



$\overline{\text{CAS}}$ - BEFORE - $\overline{\text{RAS}}$ REFRESH CYCLE

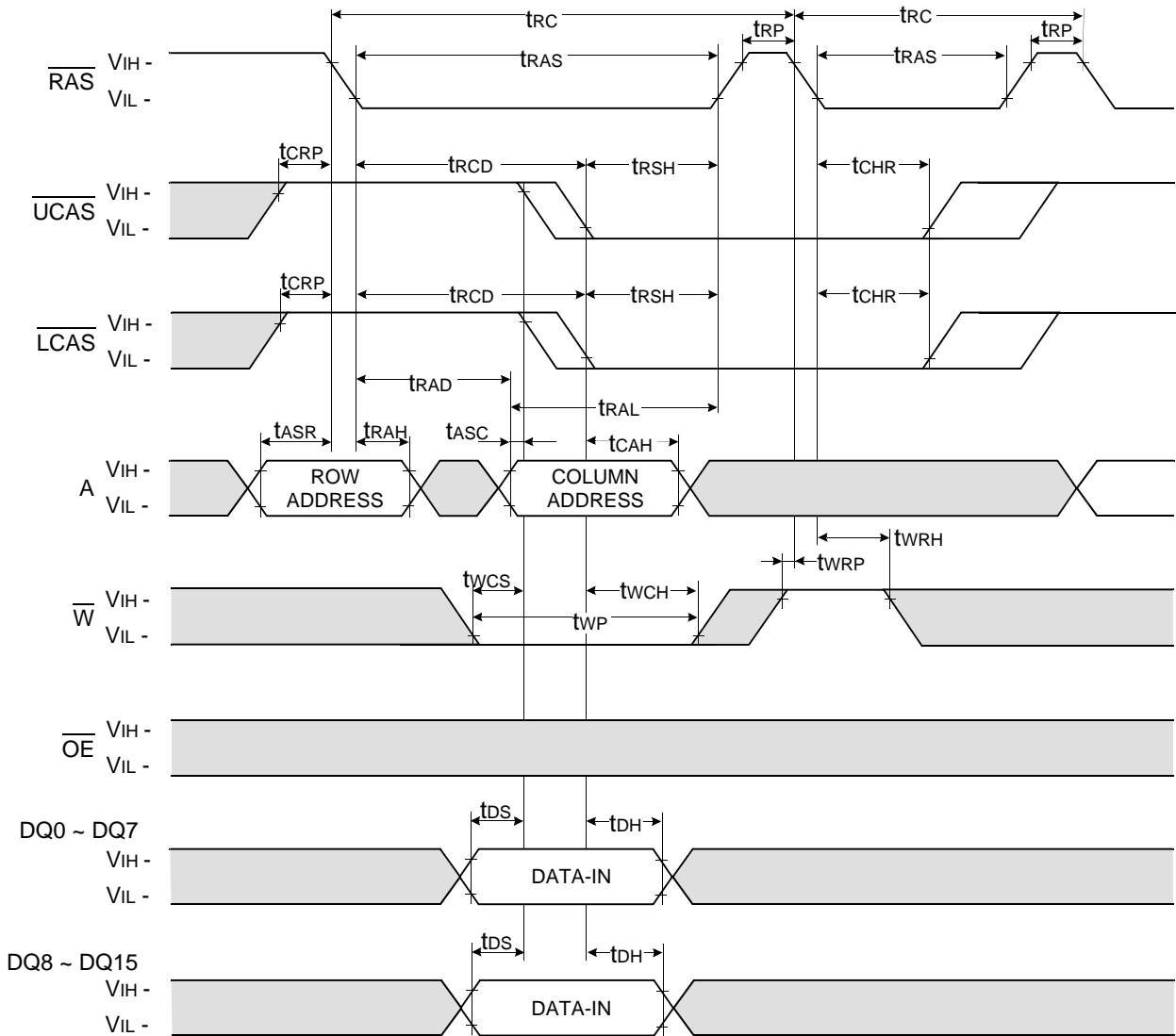
NOTE : $\overline{\text{OE}}$, A = Don't care



Don't care
 Undefined

HIDDEN REFRESH CYCLE (WRITE)

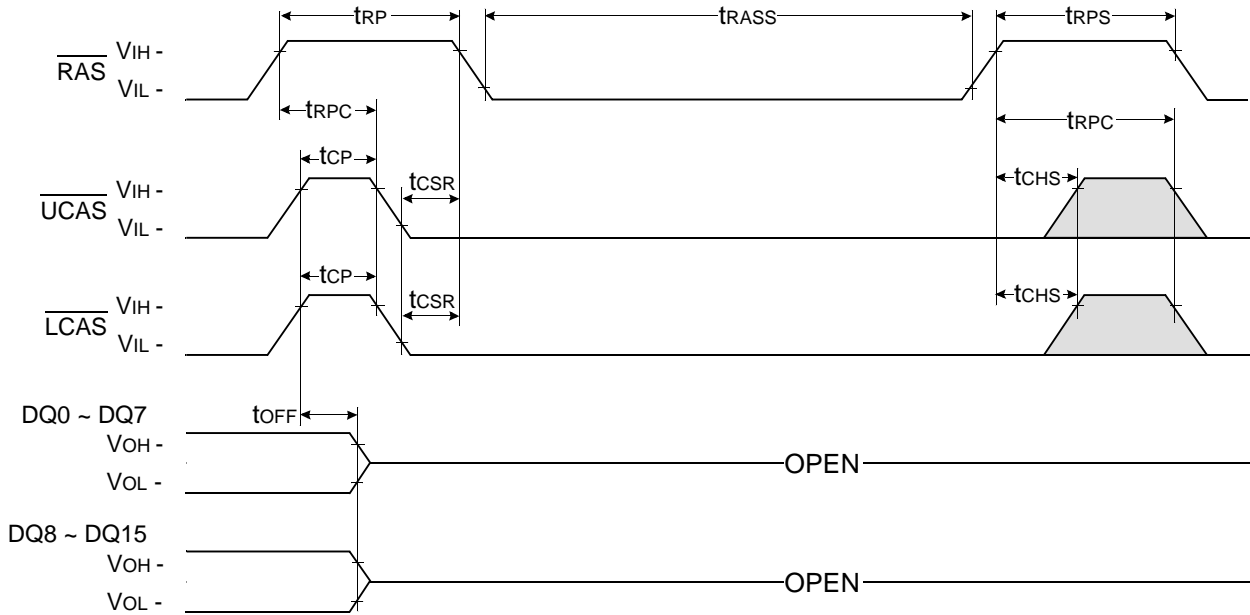
NOTE : DOUT = OPEN



□ Don't care
 ■ Undefined

$\overline{\text{CAS}}$ - BEFORE - $\overline{\text{RAS}}$ SELF REFRESH CYCLE

NOTE : $\overline{\text{OE}}$, A = Don't care



Don't care
 Undefined

**K4F171611C, K4F151611C
K4F171612C, K4F151612C**

CMOS DRAM

PACKAGE DIMENSION

