

CX-49F

SMD

■Features

- For ECU.
- It is a 5mm height, compact, J lead crystal unit for surface mounting.
- Metal case, J lead type.
- For self-loading.
- Reflow soldering.
- Excels even in a resistance to heat.



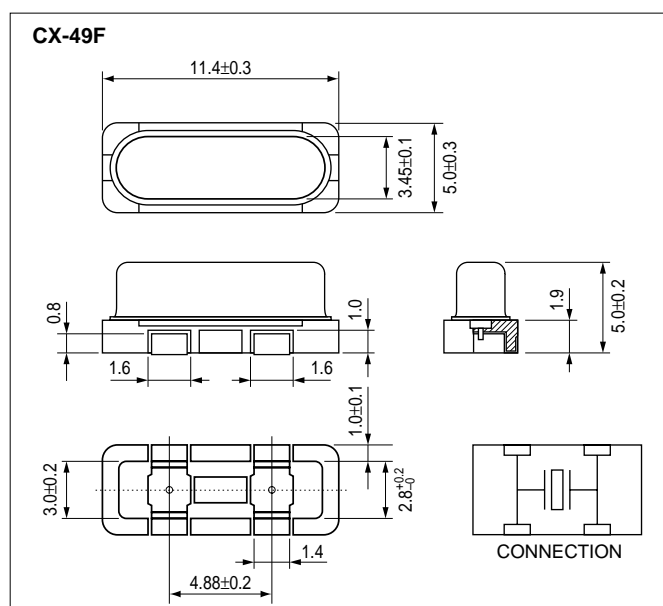
■Specifications

Type	CX-49F
Application	Automotive engine control
Frequency Range	4~20MHz
Standard Frequency	Table 1
Overtone Order	Fundamental
Operating Temp. Range	-40~+125°C
Storage Temp. Range	-40~+150°C
Frequency Tolerance	at 25°C
	Over The Oper. Temp. Range
	$\pm 100 \times 10^{-6}$
	$\pm 200 \times 10^{-6}$ (referred to 25°C)
Load Capacitance	Table 1
Equivalent Series Resistance	Table 1
Shock	Three drops onto a hard wood board from the height of 100cm
Vibration	10~55Hz, amplitude 1.5mm, each to 3 directions, 6 hours each

■Table 1 Standard Frequencies

Frequency (MHz)	Load capacitance (pF)	Equivalent series resistance (Ω MAX.)
4.000	12	200
5.000	12	200
6.000	12	120
8.000	12	90
10.000	12	90
12.000	12	70
16.000	12	50
18.000	12	50
20.000	12	50

■Outline



■Land Pattern(reference)

