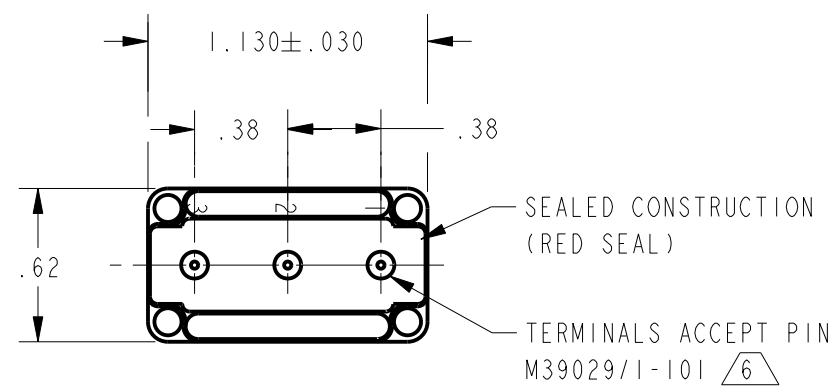
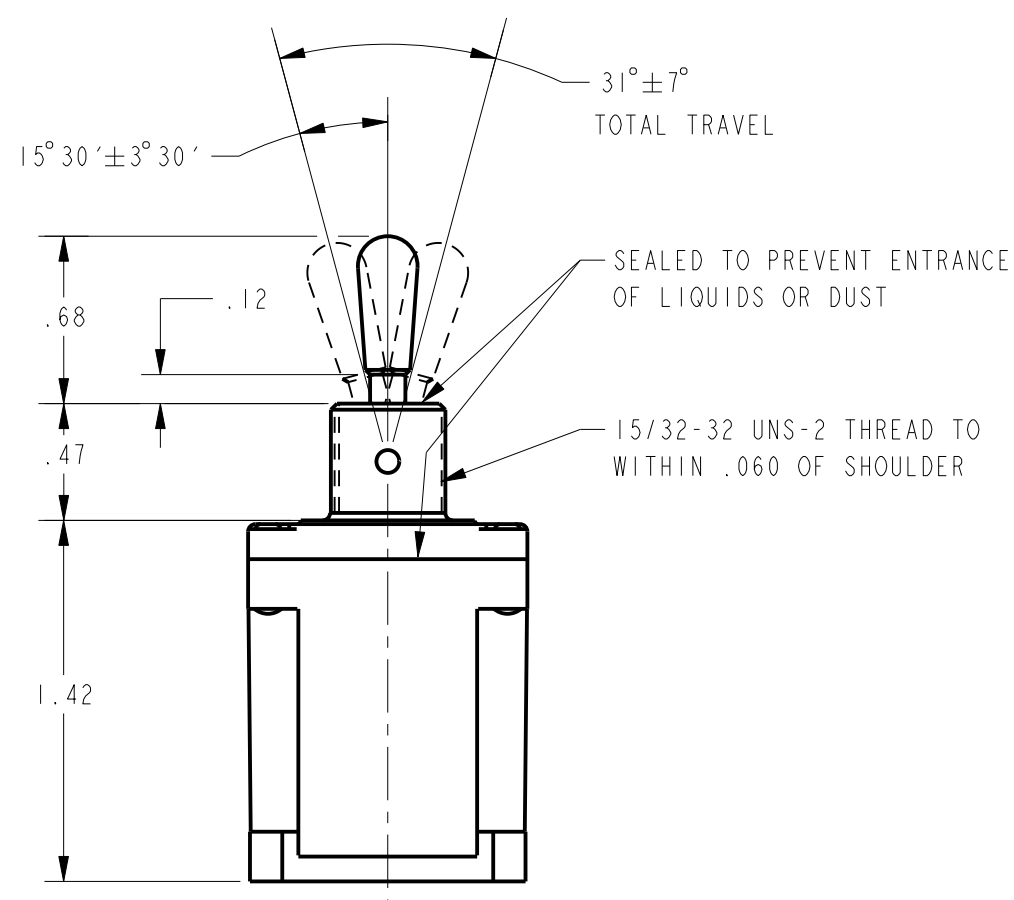
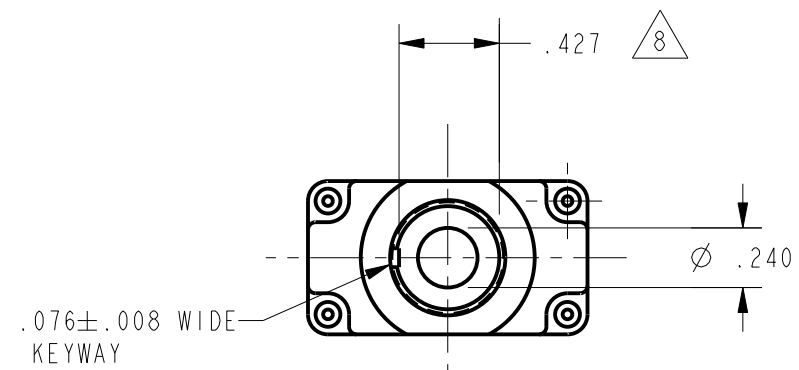
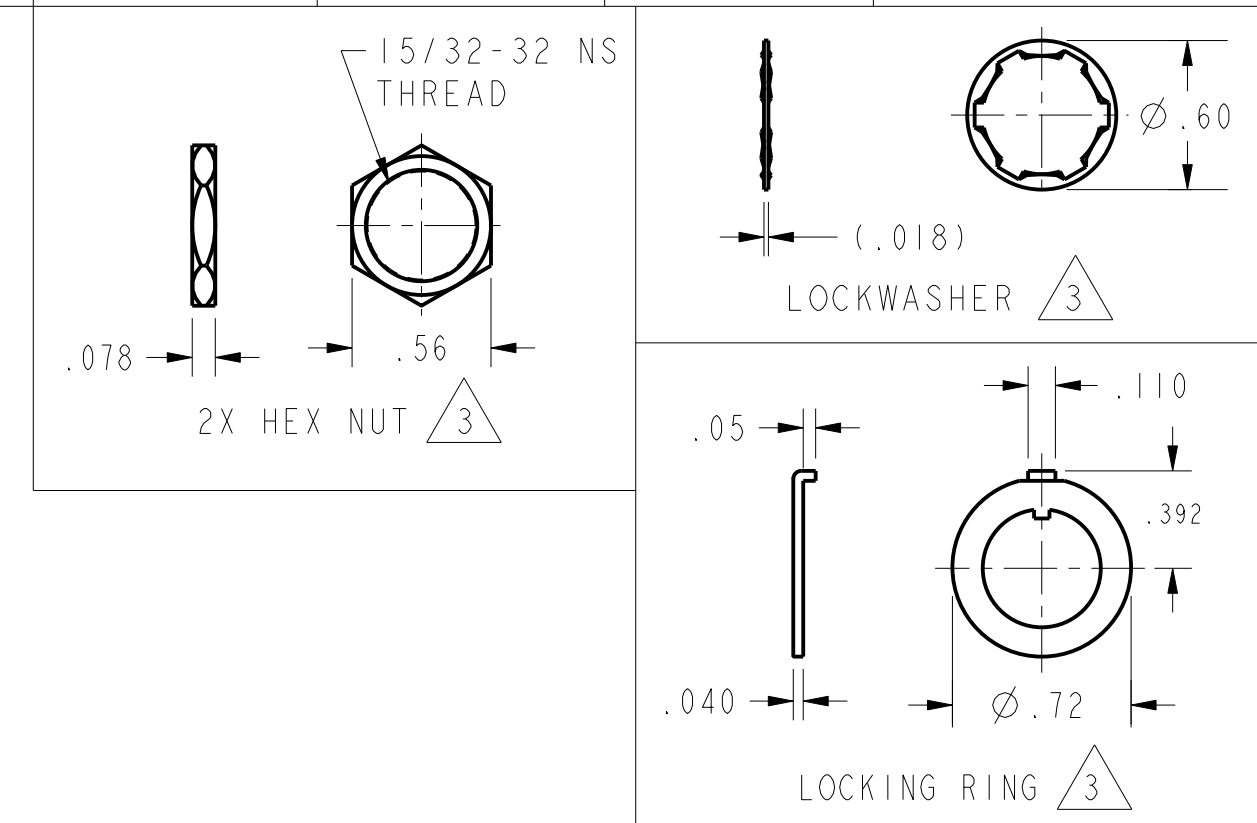


HONEYWELL  
PART NUMBER  
101TL2834 SERIES CHART 1

REV	DOCUMENT	CHANGED BY	CHECK
11	0007408	KSR 24AUG04	AK



ELECTRICAL RATING	FAA-PMA APPROVED	CATALOG LISTING	CIRCUIT MADE WITH TOGGLE LEVER IN		
			KEYWAY SIDE (1-2)	CENTER (1-2)	OPPOSITE KEYWAY (2-3)
.1A 28 VDC, 115 VAC		101TL2834-1	ON	OFF	ON
	△	101TL2834-2	OFF	NONE	ON
	△	101TL2834-3	ON	NONE	ON
		101TL2834-4	MOM OFF	NONE	ON
	△	101TL2834-5	MOM ON	OFF	ON
	△	101TL2834-6	MOM ON	NONE	OFF
	△	101TL2834-7	MOM ON	OFF	MOM ON
		101TL2834-8	MOM ON	NONE	ON
		101TL2834-21	NONE	OFF	ON
		101TL2834-31	NONE	ON	ON
	101TL2834-51	NONE	ON	MOM ON	
	101TL2834-61	MOM ON	OFF	NONE	



NOTES

- 1 - SWITCHES ARE CAPABLE OF WITHSTANDING A TEMPERATURE OF 160°F CONTINUOUSLY AT FULL RATED LOAD
- 2 - CIRCUIT DESIGNATION, MICRO SWITCH CATALOG LISTING AND FAA-PMA (IF APPLICABLE) MARKED ON SIDE OF SWITCH
- △3 FURNISHED UNASSEMBLED
- 4 - UNUSED TERMINAL HOLES MAY BE SEALED WITH PLUGS M83723/28-20
- △5 APPLIES ONLY TO "ON" AND "MOMENTARY ON" POSITIONS
- △6 THE SEALING GROMMET SHALL SEAL ON A SMOOTH WIRE INSULATION OF  $\phi$  .040 - .083
- 7 - GOLD PLATED CONTACTS
- △8 FROM BOTTOM OF KEYWAY TO MAJOR  $\phi$  OF 15/32 THREAD
- △9 FAA-PMA TO BE MARKED ON THESE SWITCHES
- △10 FOR MANUFACTURING DETAIL SEE THE CORRESPONDING ASSEMBLY DRAWING FOR EACH LISTING FOR FAA-PMA

DESIGN UNITS: INCH TOLERANCES UNLESS NOTED:	DRAWN JAH 15NOV01	<b>Honeywell</b>		
NO PLACE X ± 0.040 ONE PLACE .X ± 0.030 TWO PLACE .XX ± 0.015 THREE PLACE .XXX ± 0.005 FOUR PLACE .XXXX ± 0.0005 ANGLES X ± -	CHECK SAV 15NOV01			
THIRD ANGLE PROJECTION	THIS DRAWING COVERS A PROPRIETARY ITEM AND IS THE PROPERTY OF HONEYWELL. THIS DRAWING IS NOT TO BE COPIED OR USED WITHOUT THE PERMISSION OF HONEYWELL.		TITLE SWITCH TOGGLE	
	INTERPRET PER ASME Y14.5M-1994 OTHER HONEYWELL ENGINEERING STANDARDS MAY APPLY	SIZE C	TYPE I	DRAWING NAME 101TL2834_SERIES_CHT111
	Pro/ENGINEER	2D	SCALE FULL	REV 111
			WEIGHT .08 LB APPROX	SHEET 1 OF 1