



# DZB6.2 to DZB30

Silicon Diffused Junction Type

## 1.0W Zener Diodes

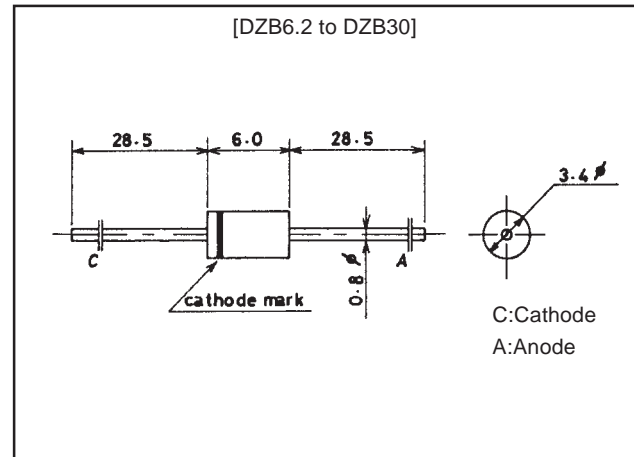
### Features

- Plastic molded structure.
- Voltage regulator use.
- Power dissipation:P=1.0W.
- Zener voltage: $V_Z=6.2$  to 30V

### Package Dimensions

unit:mm

1083



### Specifications

#### Absolute Maximum Ratings at $T_a = 25^\circ\text{C}$

Parameter	Symbol	Conditions	Ratings	Unit
Power Dissipation	P		1.0	W
Junction Temperature	$T_j$		150	$^\circ\text{C}$
Storage Temperature	$T_{stg}$		-40 to +150	$^\circ\text{C}$

#### Electrical Characteristics at $T_a = 25^\circ\text{C}$

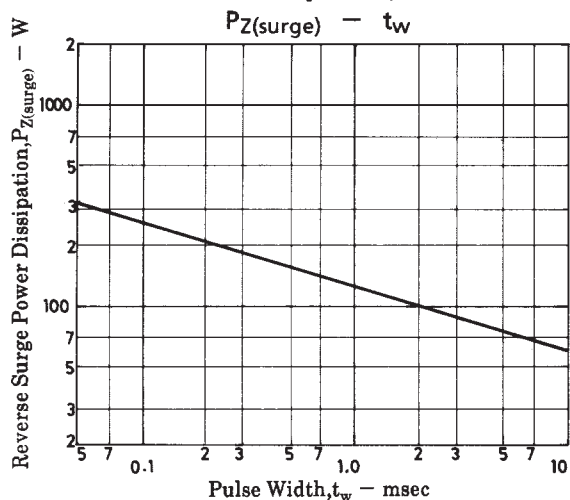
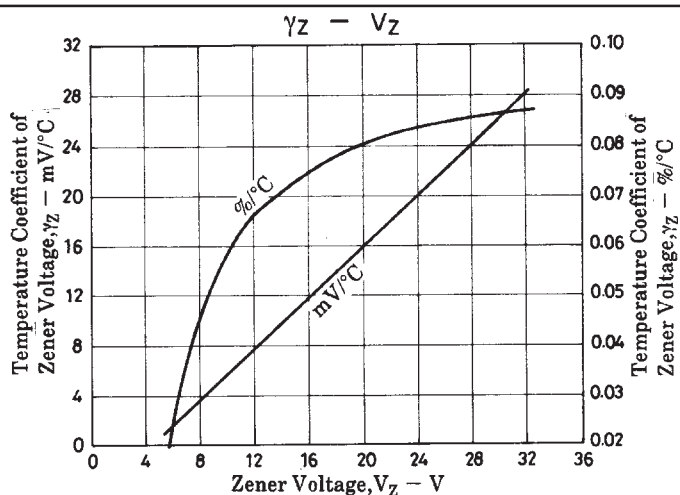
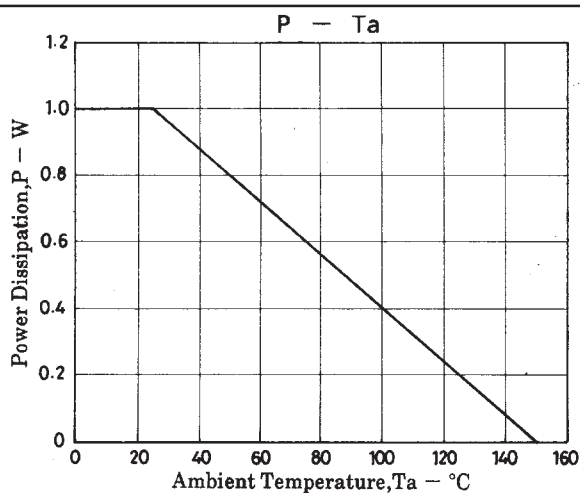
Type No.	Zener Characteristics					Forward Voltage Drop		Reverse Current	
	Zener Voltage $V_Z$			Dynamic Resistance $[\Omega]$	Measured Current $I_Z$ [mA]	$V_F$ [V] max	Measured Current [A]	$I_R$ [ $\mu\text{A}$ ] max	Measured Voltage [V]
	typ	min	max						
DZB6.2U	6.2	5.60	6.80	60	-10	2	0.2	-10	-2.0
6.8C	6.8	6.45	7.14	60	-10	2	0.2	-10	-3.0
7.5C	7.5	7.13	7.81	30	-10	2	0.2	-10	-4.5
8.2C	8.2	7.79	8.61	30	-10	2	0.2	-10	-4.9
9.1C	9.1	8.65	9.55	30	-10	2	0.2	-10	-5.5
10C	10	9.50	10.50	30	-10	2	0.2	-10	-6.0
11C	11	10.50	11.50	30	-10	2	0.2	-10	-7.0
12C	12	11.40	12.60	30	-10	2	0.2	-10	-8.0
13C	13	12.40	13.60	30	-10	2	0.2	-10	-9.0
15C	15	14.30	15.80	30	-10	2	0.2	-10	-10.0
16C	16	15.20	16.80	30	-10	2	0.2	-10	-11.0
18C	18	17.10	18.90	30	-10	2	0.2	-10	-13.0
20C	20	19.00	21.00	30	-10	2	0.2	-10	-14.0
22C	22	20.90	23.10	30	-10	2	0.2	-10	-16.0
24C	24	22.80	25.20	30	-10	2	0.2	-10	-17.0
27C	27	25.70	28.30	30	-10	2	0.2	-10	-19.0
30C	30	28.50	31.50	30	-10	2	0.2	-10	-21.0

**SANYO Electric Co.,Ltd. Semiconductor Business Headquarters**

TOKYO OFFICE Tokyo Bldg., 1-10, 1 Chome, Ueno, Taito-ku, TOKYO, 110-8534 JAPAN

33098HA (KT)/13196GI/2089TA/1199MO/9205KI, TS No.653-1/2

## DZB6.2 to 30



■ No products described or contained herein are intended for use in surgical implants, life-support systems, aerospace equipment, nuclear power control systems, vehicles, disaster/crime-prevention equipment and the like, the failure of which may directly or indirectly cause injury, death or property loss.

■ Anyone purchasing any products described or contained herein for an above-mentioned use shall:

- ① Accept full responsibility and indemnify and defend SANYO ELECTRIC CO., LTD., its affiliates, subsidiaries and distributors and all their officers and employees, jointly and severally, against any and all claims and litigation and all damages, cost and expenses associated with such use:
- ② Not impose any responsibility for any fault or negligence which may be cited in any such claim or litigation on SANYO ELECTRIC CO., LTD., its affiliates, subsidiaries and distributors or any of their officers and employees jointly or severally.

■ Information (including circuit diagrams and circuit parameters) herein is for example only; it is not guaranteed for volume production. SANYO believes information herein is accurate and reliable, but no guarantees are made or implied regarding its use or any infringements of intellectual property rights or other rights of third parties.

This catalog provides information as of March, 1998. Specifications and information herein are subject to change without notice.