



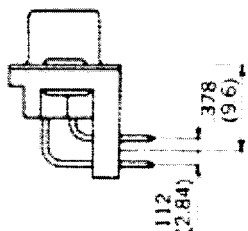
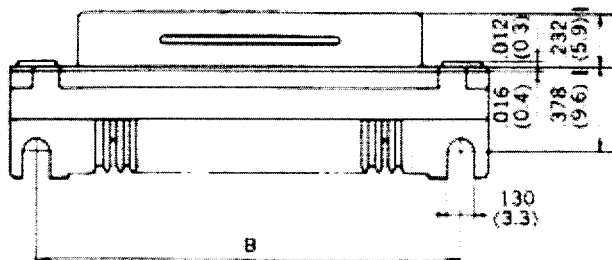
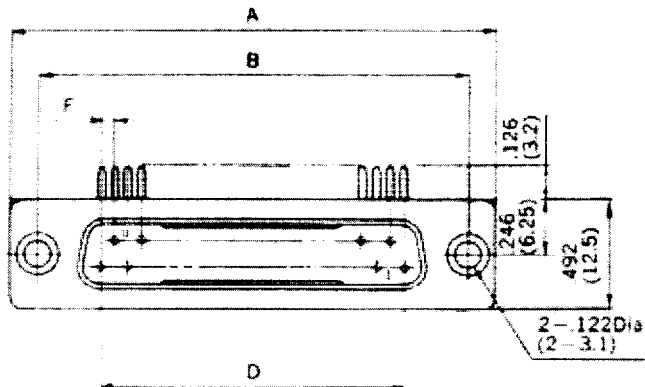
[Back to 17LE Series Ordering Code Page](#)



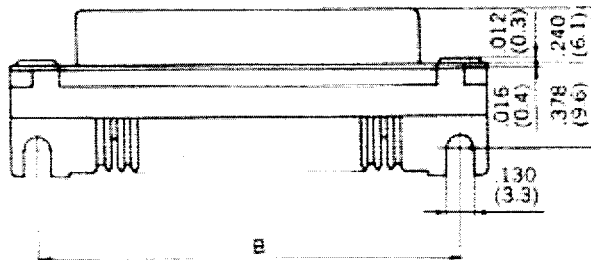
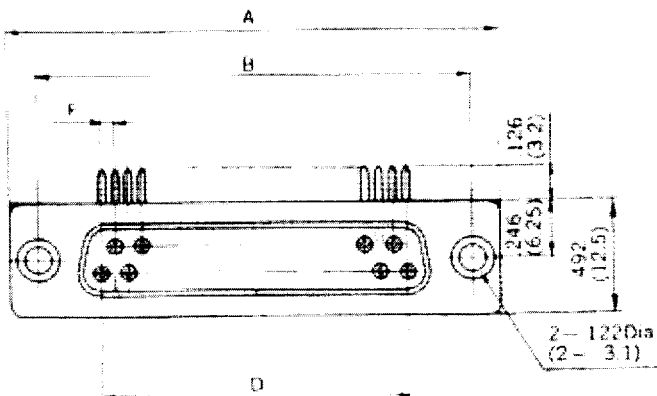
# 17LE Series Right Angle Printed Circuit Board Mount Connectors

unit: mm

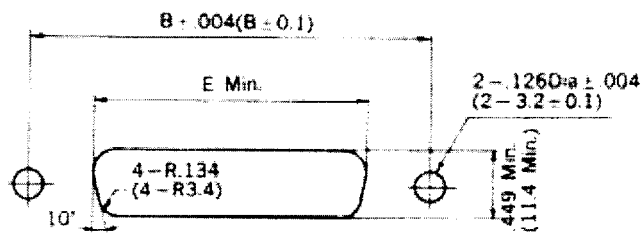
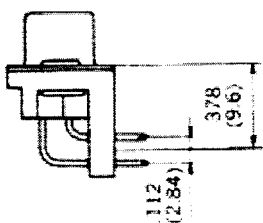
## Pin Connectors



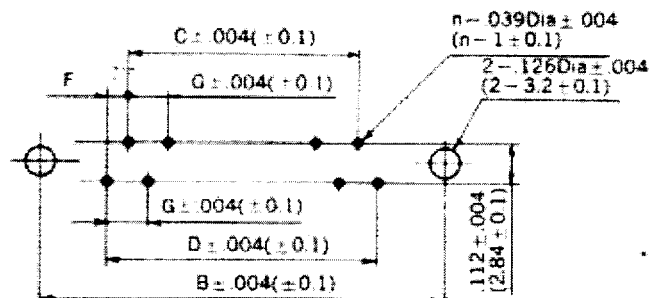
## Socket Connectors



**DDKLS00140**



Panel Cutout Dimensions



P.C.B. Mounting Holes

Number of Contacts	Part Number		Plating	A	B	C	D	E	F	G
	Socket	Pin								
37	17LE 13370 26	17LE 23370 26	6	2.728 (69.3)	2.500 (63.50)	1.847 (46.92)	1.956 (49.68)	2.327 (59.1)	.054 (1.38)	.109 (2.76)
	17LE-13370-27	17LE 23370 27	7							
25	17LE 13250 26	17LE 23250 26	5	2.087 (53.0)	1.852 (47.04)	1.195 (30.36)	1.304 (33.12)	1.673 (42.5)	.054 (1.38)	.109 (2.76)
	17LE 13250 27	17LE 23250 27	7							
15	17LE-13150-26	17LE 23150 26	6	1.539 (39.1)	1.312 (33.32)	.647 (16.44)	.756 (19.20)	1.134 (28.8)	.054 (1.37)	.108 (2.74)
	17LE 13150 27	17LE 23150 27	7							
9	17LE 13090 26	17LE 23090 26	6	1.213 (30.8)	.984 (24.99)	.324 (8.22)	.432 (10.98)	.807 (20.5)	.054 (1.37)	.108 (2.74)
	17LE 13090 27	17LE 23090 27	7							

7 - .000015(0.40µm) Gold plating on contact area. Tin plating on tail area.

6 - .000030(0.75µm) Gold plating on contact area. Tin plating on tail area.

**[DDK Home Page](#) : [DDK Japan](#) : [DDK North America](#) : [DDK Europe](#) : [DDK Asia](#)**



[Back to 17LE Series Ordering Code Page](#)

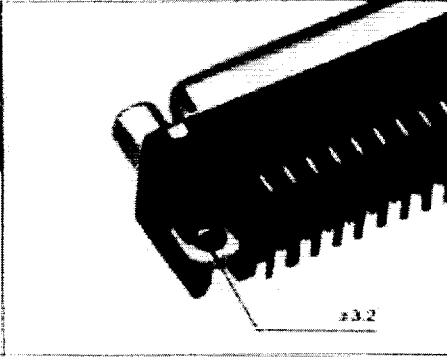
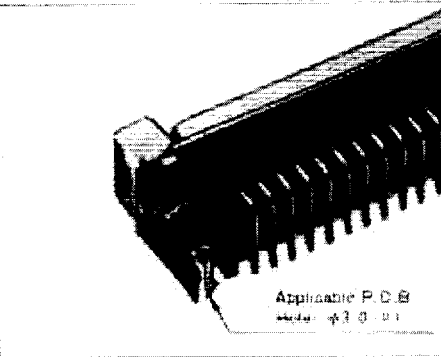
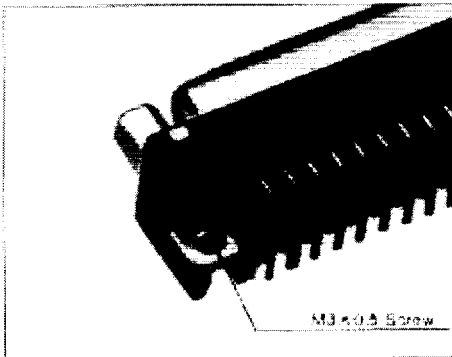


# 17LE Series Connector Hardware

unit: mm

## ■ Ground Tab for 17LE series

Ground tabs offer a easy ground connection to PC board for 17LE series.



Ground Tab B

P/N 17L-004B

Material/Finish

... Steel/Ni plating

Note - 17L-004B cannot be used with interlock block (17L-002X)

Ground Tab C

P/N 17L-004C

Material/Finish

... Copper alloy/Pb/Sn plating

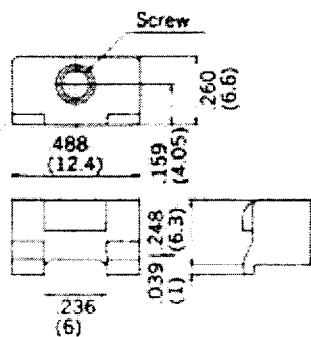
Ground Tab D

P/N 17L-004D

Material/Finish

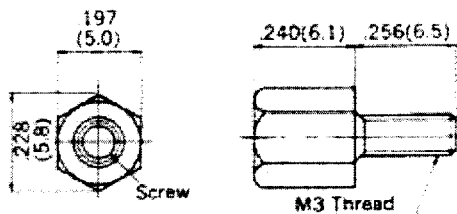
... Steel/Ni plating

Note - 17L-004D cannot be used with interlock block (17L-002X)



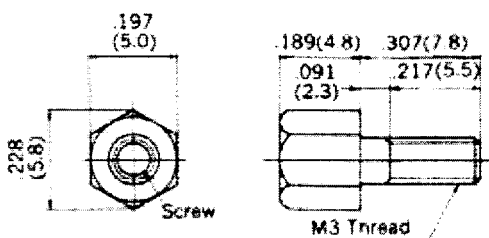
**P/N 17L-002A**

Size of Screw  
 A : M2.6 Thread(Standard)  
 B : M3 Thread  
 C :  $\pm$  4-40 UNC



**P/N 17L-003A1**

Size of Screw  
 A1 : M2.6 Thread  
 B1 : M3 Thread  
 C1 :  $\pm$  4-40 UNC



**P/N 17L-003A3**

Size of Screw  
 A3 : M2.6 Thread  
 B3 : M3 Thread  
 C3 :  $\pm$  4-40 UNC

**[DDK Home Page](#) : [DDK Japan](#) : [DDK North America](#) : [DDK Europe](#) : [DDK Asia](#)**

© Copyright 1998 DDK Electronics, Inc., Last Modified: 06/10/99