

HUTSON INDUSTRIES

TRIAC's

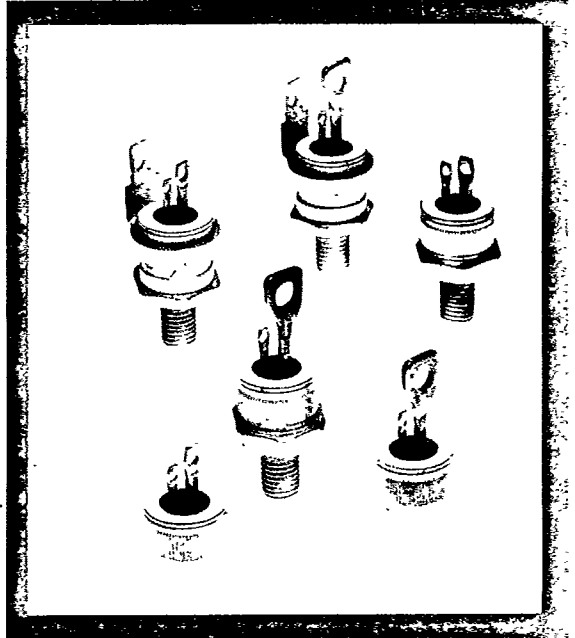


PRESS FIT SERIES TRIACS

30 AMPERE
40 AMPERE

Hutson's medium power triacs are bi-directional triode thyristors which may be switched from off-state to conduction for either polarity of applied voltage with positive or negative gate triggering. They are designed for control of A. C. loads in applications such as lighting, heating, and motor speed control, as well as static switching relays.

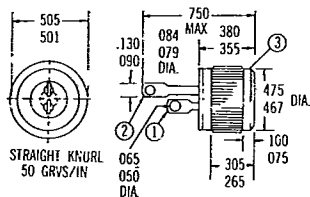
These economical and highly reliable triacs are the result of Hutson's advanced engineering and manufacturing technology, state-of-the-art glass passivation materials and techniques and experience in switching devices application.



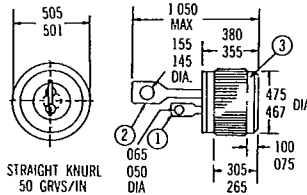
- WARNING -

Isolated stud products should be handled with care. The ceramic used in these thyristors contains BERYLLIUM OXIDE as a major ingredient.

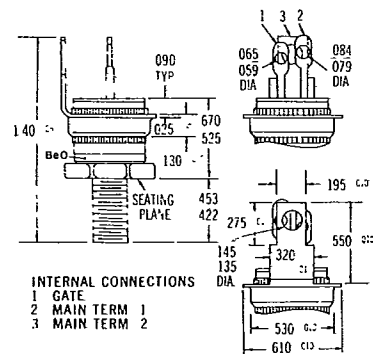
DO NOT crush, grind, or abrade these portions of the thyristors because the dust resulting from such action may be HAZARDOUS if INHALED.



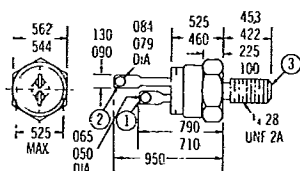
**1/2" PRESS FIT (1)
TO-203**



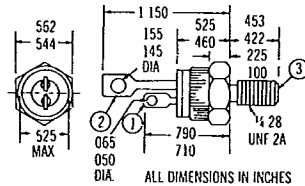
**1/2" PRESS FIT (1)
TO-203 (MOD)**



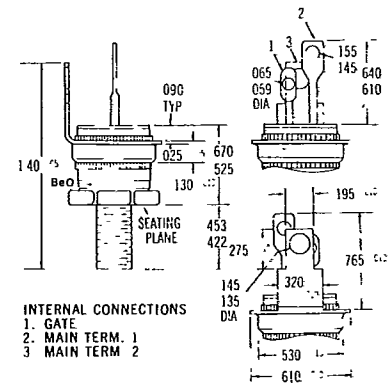
1/2" ISOLATED STUD MOUNT



**1/2" STUD MOUNT (2)
MOD. TO-48**



**1/2" STUD MOUNT (2)
MOD. TO-48**



1/2" ISOLATED STUD MOUNT

- PARTIAL THREADS = G 909 MAX
- UNITS SHALL NOT BE DAMAGED BY 30 INCH POUNDS TORQUE APPLIED TO CLASS 28 NUT ASSEMBLED ON THREADS
- MAX PITCH DIA. OF PLATED THREADS SHALL BE (0.2268) (REF ASA STD NR 811 1960)

- PARTIAL THREADS = G 909 MAX
- UNITS SHALL NOT BE DAMAGED BY 30 INCH POUNDS TORQUE APPLIED TO CLASS 28 NUT ASSEMBLED ON THREADS
- MAX PITCH DIA. OF PLATED THREADS SHALL BE (0.2268) (REF ASA STD NR 811 1960)

