

## PHASE CONTROL THYRISTORS

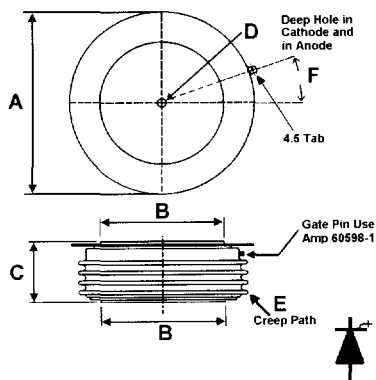
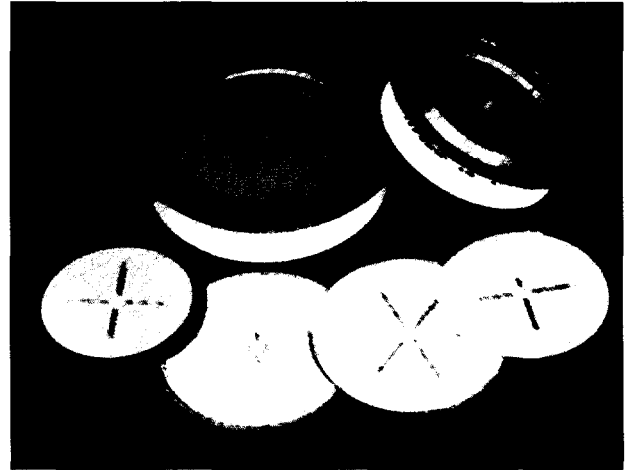
High power solutions for the Power Electronics Industry offering a comprehensive range of Phase Control Thyristors for all power electronic application needs

### Key Features:

- Pressure contact technology
- 19 – 100mm silicon slice range
- Up to 6500V technology
- High Reliability
- Industry Standard Outlines
- Clamps and Heatsinks as required

### Key Applications

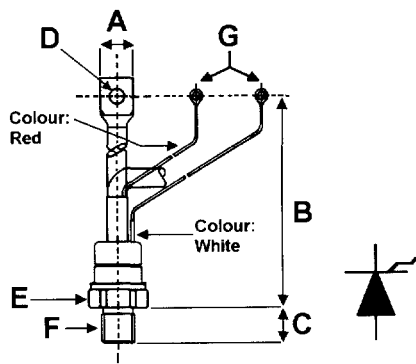
- DC Drives
- Fully Controlled Rectifiers
- Crow Bar Applications
- Marine Drives / Cycloconverters – 4.2 / 5.2kV
- Induction Forging – Front End – 2.8 / 3.5kV
- Large Power Supplies (Electrochemical) – 2.8kV
- HVDC and SVC – 4.2 / 5.2 / 6.5kV



### Phase Control Thyristors - Capsule Types

#### Dimensions:

Size	Wt (g)	A Max Ø mm	B Max Ø mm	C Range mm	D Ø / Hole Depth	E Creep Path Min	F Gate Tag
1	70	42	19 ± 0.1	14.4 - 13.1	3.6 / 3.5x1.8	8	25° ± 5°
2	90	42	25.1 ± 0.1	15.1 - 14.2	3.6 / 3.5x1.8	9	25° ± 5°
3	340	58.5	34 ± 0.1	27.0 - 25.4	3.6 / 3.5x1.8	25.4	20° ± 5°
4	510	74	47 ± 0.1	27.7 - 25.9	3.6 / 3.5x2.3	25.4	20° ± 5°
5	1000	101.6	63 ± 0.1	34 - 32	3.6 / 3.5x3	46	20° ± 5°
6	1700	110.5	73 ± 0.1	37.7 - 37.7	3.6 / 3.5x3	41.5	20° ± 5°
7	1230	112	75 ± 0.1	26.1 - 27.1	3.6 / 3.5x2	33.5	20° ± 5°
8	1230	144	99.3 ± 0.1	35 - 36.5	3.6 / 3.5x1.8	41.6	20° ± 5°



### Phase Control Thyristors - StudTypes

#### Dimensions:

Size	Wt (g)	A Max mm	B Max mm	C Range mm	D Boss	E Nut A/F	F Thread	G Pin Ø
1	10	7.6	27 max	11	4.4	14	1/4"-28UNF-2A	1.8
2	33	n/a	28.7	11	3.7	17.5 / 17.3	1/4"-28UNF-2A	1.5
3	130	17 max	45.3	20.5	5.1	26.9	1/2"-20UNF-2A	1.7
4	130	16.5	174 min	20.5 max	7	26.9	1/2"-20UNF-2A	4.3
5	280	19	210 ± 10	21 max	8.2 / 8.8	31.6 / 31.4	3/4"-16UNF-2A	4.3

# WESTCODE

Type / Part Number	V <sub>DRM</sub> V <sub>RMS</sub> Range (Note 5) (V)	I <sub>T(AV)</sub> @ T <sub>HS</sub> 55°C (A)	I <sub>TRMS</sub> 10ms V <sub>R</sub> ≤ 10V (Note 1) (A)	I <sub>DT</sub> (Note 1) (A <sup>2</sup> s)	di/dt Non-Rep/Rep (Note 4) (A / μs)	I <sub>DRM</sub> I <sub>DRM</sub> @ 125°C (mA)	R <sub>th</sub> J-hs d.c. 180° sine (K/W)	V <sub>o</sub> @ T <sub>J</sub> 125°C (Note 2) (V) (mΩ)	Mounting Force (kgf)	Size Ref.
N086 CHx	200-1500	195	1950	19 x 10 <sup>3</sup>	1000/500	20	0.135	1.57 2.29	330-550	1
N105 CHx	200-1600	256	2695	36.3 x 10 <sup>3</sup>	1000/500	20	0.135	0.90 1.79	330-550	1
N170 CHx	200-1600	340	4620	107 x 10 <sup>3</sup>	1000/500	20	0.095	1.08 1.30	330-550	1
N195 CHx	200-1600	390	5120	131 x 10 <sup>3</sup>	1000/500	20	0.095	0.92 0.99	330-550	1
N275 CHx	200-800	490	6600	218 x 10 <sup>3</sup>	1000/500	20	0.095	0.85 0.535	330-550	1
N282 CHx	2000-2500	607	7810	305 x 10 <sup>3</sup>	600/300	40	0.050	1.14 0.781	530-1000	2
N281 CHx	1200-1800	680	8300	345 x 10 <sup>3</sup>	1000/500	40	0.050	1.09 0.587	530-1000	2
N280 CHx	200-1600	735	9270	430 x 10 <sup>3</sup>	1000/500	40	0.050	1.03 0.483	530-1000	2
N283 CHx	200-1600	752	10205	521 x 10 <sup>3</sup>	1000/500	40	0.050	0.92 0.45	530-1000	2
N310 CHx	200-600	990	12100	732 x 10 <sup>3</sup>	1000/500	40	0.050	0.82 0.24	530-1000	2
N200 CHx	4500-6500	485	4400†	96.8 x 10 <sup>3†</sup>	100/50*	60†	0.032	1.35† 2.10†	1000-2000	3
N255 CHx	3600-4500	590	5780	167 x 10 <sup>3</sup>	300/150	60	0.0342	1.22 1.53	1000-2000	3
N257 CHx	2600-4200	610	7700	0.298 x 10 <sup>6</sup>	300/150	100	0.0342	1.10 1.50	1000-2000	3
N260 CHx	200-3600	620	6270	196 x 10 <sup>3</sup>	400/200	60	0.0342	1.21 1.36	1000-2000	3
N330 CHx	1800-2600	910	10100	510 x 10 <sup>3</sup>	500/300	60	0.0342	1.04 0.61	1000-2000	3
N350 CHx	200-1800	1045	12650	800 x 10 <sup>3</sup>	1000/500	60	0.032	1.08 0.40	1000-2000	3
N370 CHx	200-1800	1130	14000	975 x 10 <sup>3</sup>	1000/500	60	0.032	1.06 0.31	1000-2000	3
N520 CHx	200-1500	1265	16000	1.28 x 10 <sup>6</sup>	1000/500	60	0.032	0.90 0.265	1000-2000	3
N320 CHx	3600-4500	880	8470	359 x 10 <sup>3</sup>	300/150	100	0.024	1.30 0.92	1900-2600	4
N360 CHx	2200-3800	1010	13300	884 x 10 <sup>3</sup>	400/200	100	0.024	1.17 0.687	1900-2600	4
N390 CHx	2200-3200	1130	15700	1.23 x 10 <sup>6</sup>	400/200	100	0.024	1.15 0.51	1900-2600	4
N450 CHx	1400-2600	1300	19400	1.88 x 10 <sup>6</sup>	500/300	100	0.024	1.03 0.38	1900-2600	4
N490 CHx	200-2600	1470	23600	2.78 x 10 <sup>6</sup>	1000/500	100	0.024	1.00 0.27	1900-2600	4
N510 CHx	200-2000	1550	25600	3.28 x 10 <sup>6</sup>	1000/500	100	0.024	0.92 0.252	1900-2600	4
N540 CHx	200-1800	1715	29900	4.47 x 10 <sup>6</sup>	1000/500	100	0.024	0.965 0.174	1900-2600	4
N600 CHx	200-1500	1800	32500	5.28 x 10 <sup>6</sup>	1000/500	100	0.024	0.855 0.171	1900-2600	4
N610 CHx	200-1000	2090	38000	7.22 x 10 <sup>6</sup>	1000/500	100	0.024	0.84 0.108	1900-2600	4
N410 CHx	4200-6500	630	7300†	0.266 x 10 <sup>6†</sup>	100/50*	150†	0.024	1.38† 1.64†	1900-2600	4
N500 CHx	3000-4200	1160	16100	1.30 x 10 <sup>6</sup>	300/150	100	0.022	1.10 0.574	1900-2600	4
N570 CHx	2600-3600	1315	18290	1.67 x 10 <sup>6</sup>	300/150	100	0.022	1.00 0.437	1900-2600	4
N620 CHx	2000-3000	1467	23000	2.65 x 10 <sup>6</sup>	400/200	100	0.022	0.92 0.345	1900-2600	4
N680 CHx	1200-2000	1665	27000	3.65 x 10 <sup>6</sup>	100/50*	100	0.022	0.95 0.233	1900-2600	4
N740 CHx	1400-1600	2045	32200	5.18 x 10 <sup>6</sup>	300/150	100	0.022	0.98 0.114	1900-2600	4
N560 CHx	3600-4500	1350	20000	2.00 x 10 <sup>6</sup>	300/150	150	0.017	1.20 0.553	2700-3400	5
N630 CHx	2600-3600	1663	25000	3.13 x 10 <sup>6</sup>	300/150	150	0.017	1.04 0.35	2700-3400	5
N640 CHx	2000-3000	1715	30000	4.50 x 10 <sup>6</sup>	300/150	150	0.017	1.05 0.32	2700-3400	5
N760 CHx	200-2200φ	2290	40000	8.00 x 10 <sup>6</sup>	300/150	150	0.017	0.956 0.148	2700-3400	5
N990 CHx	200-1600	2500	45000	10.1 x 10 <sup>6</sup>	300/150	150	0.017	0.88 0.124	2700-3400	5
N635 CHx	4500-6500	1555	22000†	2.42 x 10 <sup>6†</sup>	100/50*	200	0.011	1.20 0.60	2700-4700	6
N750 CHx	2600-4500	2175	33500	5.61 x 10 <sup>6</sup>	300/150	200	0.011	1.35 0.294	2700-4700	6
N850 CHx	3000-3600	2420	36000	6.48 x 10 <sup>6</sup>	300/150	200	0.011	1.16 0.246	2700-4700	6
N880 CHx	2000-3000	2550	39000	7.61 x 10 <sup>6</sup>	300/150	200	0.011	0.78 0.274	2700-4700	6
N900 CHx	2000-2600	3015	49700	12.40 x 10 <sup>6</sup>	300/150	200	0.011	0.92 0.16	2700-4700	6
N980 CHx	200-2200φ	3000	55000	15.1 x 10 <sup>6</sup>	300/150	200	0.011	0.88 0.164	2700-4700	6
N1400 CHx	200-2000	3545	60000	18.0 x 10 <sup>6</sup>	300/150	200	0.011	0.97 0.095	2700-4700	6
N1600 CHx	200-1200	4090	70000	24.5 x 10 <sup>6</sup>	300/150	200	0.011	0.85 0.070	2700-4700	6

Type / Part Number	V <sub>DRM</sub> V <sub>RRM</sub> Range (Note 5) (V)	I <sub>T(AV)</sub> @ T <sub>HS</sub> 55°C (A)	I <sub>TSM(2)</sub> 10ms V <sub>R</sub> < 10V (Note 1) (A)	I <sup>2</sup> <sub>t(2)</sub> (Note 1) (A <sup>2</sup> s)	di/dt Non-Rep/Rep (Note 4) (A / μs)	I <sub>DRM</sub> I <sub>RRM</sub> @ 125°C (mA)	R <sub>th</sub> J-hs d.c. 180° sine (K/W)	V <sub>o</sub> r @ T <sub>J</sub> 125°C (Note 2) (V) (mΩ)	Mounting Force (kgf)	Size Ref.
<b>New Products</b>										
N1063 DHx	5300-8500	2010	28†	3.90 x 10 <sup>6</sup> †	300/150	600†	0.011	1.20† 0.385†	6300 - 7700	7
N1263 CHx	4300-5200	2500	42	8.82 x 10 <sup>6</sup>	300/150	500	0.011	1.00 0.25	6300 - 7700	7
N1463 CHx	3600-4200	2850	52	13.5 x 10 <sup>6</sup>	300/150	250	0.011	0.97 0.18	6300 - 7700	7
N1663 CHx	2900-3500	3180	55	15.1 x 10 <sup>6</sup>	300/150	250	0.011	0.90 0.14	6300 - 7700	7
N1863 CHx	1200-2800	3560	60	18.0 x 10 <sup>6</sup>	300/150	250	0.011	0.90 0.10	6300 - 7700	7
N1083 CHx	5300-6500	2310	45†	10.1 x 10 <sup>6</sup> †	300/150	600†	0.009	1.22† 0.29†	8100 - 9800	8
N1283 CHx	4300-5200	2850	55	15.1 x 10 <sup>6</sup>	300/150	600	0.009	0.92 0.25	8100 - 9800	8
N1483 CHx	3600-4200	3400	60	18.0 x 10 <sup>6</sup>	300/150	400	0.009	0.85 0.17	8100 - 9800	8
N1683 CHx	2900-3500	3890	67	22.5 x 10 <sup>6</sup>	300/150	300	0.009	0.94 0.11	8100 - 9800	8
N1883 CHx	1200-2800	4145	75	28.1 x 10 <sup>6</sup>	300/150	300	0.009	0.85 0.10	8100 - 9800	8

† Denotes up-rating  
 † @T<sub>J</sub> 115°C  
 \* TO I<sub>TM</sub> of 2 x I<sub>T(AV)</sub> in accordance with IEC 747-6

Type / Part Number	V <sub>DRM</sub> V <sub>RRM</sub> Range (Note 3) (V)	I <sub>T(AV)</sub> @ T <sub>CASE</sub> (A) (°C)	I <sub>TSM(2)</sub> 10ms V <sub>R</sub> < 10V (Note 1) (A)	I <sup>2</sup> <sub>t(2)</sub> (Note 1) (A <sup>2</sup> s)	di/dt Non-Rep/Rep (Note 4) (A / μs)	I <sub>GT</sub> /V <sub>GT</sub> @ 25°C (mA) (V)	I <sub>DRM</sub> I <sub>RRM</sub> @ 125°C (mA)	I <sub>H</sub> @ 25°C (mA)	R <sub>th</sub> J-hs d.c. 180° sine (K/W)	R <sub>th</sub> c-s (K/W)	V <sub>o</sub> r @ T <sub>J</sub> 125°C (Note 2) (V) (mΩ)	Mounting Torque (kgf)	Size Ref.
N018 RHx	200-1500	21 (85)	240	290	400/200	100/3	5	160	1.00	0.10	1.38 10.30	0.41-0.48	1
N023 RHx	200-1500	23 (85)	345	595	400/200	100/3	5	160	1.00	0.10	1.20 8.30	0.41-0.48	1
N029 RHx	200-1500	30 (96)	575	1653	400/200	100/3	5	160	0.55	0.10	1.17 8.10	0.41-0.48	1
N044 RHx	200-1500	45 (85)	863	3720	400/200	100/3	10	160	0.45	0.10	1.10 7.90	0.41-0.48	2
N060 RHx	200-1500	63 (85)	1100	6613	400/200	100/3	10	160	0.35	0.10	0.89 6.10	0.41-0.48	2
N086 PHx	200-1500	85 (85)	1950	19 x 10 <sup>3</sup>	1000/500	150/3	20	600	0.23	0.08	1.57 2.29	1.15-1.45	3
N086 RHx	200-1500	85 (85)	1950	19 x 10 <sup>3</sup>	1000/500	150/3	20	600	0.23	0.08	1.57 2.29	1.15-1.45	4
N105 PHx	200-1600	110 (90)	2695	36.3 x 10 <sup>3</sup>	1000/500	150/3	20	600	0.23	0.08	0.90 1.79	1.15-1.45	3
N105 RHx	200-1600	110 (90)	2695	36.3 x 10 <sup>3</sup>	1000/500	150/3	20	600	0.23	0.08	0.90 1.79	1.15-1.45	4
N170 PHx	200-1600	196 (85)	4620	107 x 10 <sup>3</sup>	1000/500	150/3	20	600	0.12	0.04	1.08 1.30	2.50-2.77	5
N195 PHx	200-1600	226 (85)	5120	131 x 10 <sup>3</sup>	1000/500	150/3	20	600	0.12	0.04	0.92 0.99	2.50-2.77	5
N275 PHx	200-800	226 (94)	6600	218 x 10 <sup>3</sup>	1000/500	150/3	20	400	0.12	0.04	0.85 0.535	2.50-2.77	5

### Notes:

- $I_{TSM} (8.3ms) = I_{TSM} (10ms) \times 1.066$   
 $I^2 t (8.3ms) = I^2 t (10ms) \times 0.943$   
 At initial temperature T<sub>J</sub> 125°C.
- V<sub>o</sub> Threshold voltage ) for conduction loss and heatsink calculations.  
 r Slope resistance ) (T<sub>J</sub> = 125°C)
- A blocking voltage derating factor of 0.13% per degree Celsius is applicable for T<sub>J</sub> below 25°C.
- di/dt ratings refer to the sum of snubber discharge and load currents. For ratings in excess of 300A/μsec, please contact the Westcode Sales Office for details.

**RECTIFIER DEVICE - Phase Control Thyristors - Capsule Types**

Old Part Number	PDF Data Sheet Available	New Part Number	V <sub>DRM</sub> V <sub>RRM</sub> Range (Note 5) (V)	I <sub>T(AV)</sub> @ T <sub>sink</sub> 55°C (A)	I <sub>T(RMS)</sub> @ T <sub>sink</sub> 25°C (A)	I <sub>TSM(1)</sub> 10ms V <sub>R</sub> £60% V <sub>RRM</sub> (A)	I <sub>TSM(2)</sub> 10ms V <sub>R</sub> £10V (A)	I <sup>2</sup> t <sub>(2)</sub> 10ms £10V (A <sup>2</sup> s)	di/dt Non Rep/Rep (Note 4) (A / ms)	I <sub>GT</sub> /V <sub>GT</sub> @ 25°C (mA) (V)	I <sub>DRM</sub> I <sub>RRM</sub> at 125°C (mA)	I <sub>H</sub> @25°C (mA)	R <sub>th j-hs</sub>		V <sub>o</sub> r @ T <sub>j</sub> 125°C (Note 2) (V) (mW)	V <sub>TM</sub> at I <sub>TM</sub> @ T <sub>j</sub> 125°C (V) / (A)	Wt (Typ) (g)	Mounting Force (kN)	Outline No. (Note 3)		
													dc 180°sine (K/W)	120° Rect. (K/W)							
N086CH12-16	N	N0194WC120-160	1200-1600	194	392	1700	1950	1.90 x 10 <sup>4</sup>	- /500	150/3	20	600	0.135		1.570	2.290	2.5 / 405	70	3.3 - 5.5	101A212	
N105CH12-16	N	N0255WC120-160	1200-1600	255	500	2450	1950	0.363 x 10 <sup>5</sup>	- /500	150/3	20	600	0.135		0.900	1.790	1.9 / 556	70	3.3 - 5.5		
N170CH12-16	N	N0339WC120-160	1200-1600	339	674	4200	4620	1.07 x 10 <sup>5</sup>	- /500	150/3	20	600	0.095		1.080	1.300	2.0 / 720	70	3.3 - 5.5		
N195CH12-16	N	N0392WC120-160	1200-1600	392	780	4650	5120	131 x 10 <sup>3</sup>	1000/500	150/3	20	600	0.095		0.920	0.990	1.68 / 770	70	3.3 - 5.5		
N275CH02-08	N	N0491WC020-080	1200-1600	491	986	6000	6600	218 x 10 <sup>3</sup>	-/500	150/3	20	400	0.095		0.850	0.535	1.39 / 1000	70	3.3 - 5.5		
N282SH20-24*	Y	N060YS200-240	2000-2400	606	1201	7100	7810	305 x 10 <sup>3</sup>	600/300	200/3	40	500	0.050		1.140	0.781	2.35 / 1550	90	5.3 - 10.0	101A335	
N281SH12-18*	Y	N0676YS120-180	1200-1800	676	1346	7500	8300	345 x 10 <sup>3</sup>	1000/500	150/3	40	500	0.050		1.090	0.587	2.0 / 1550	90	5.3 - 10.0		
N280SH12-16*	Y	N0734YS120-160	1200-1600	734	1465	8400	9240	427 x 10 <sup>3</sup>	1000/500	150/3	40	500	0.050		1.030	0.483	1.78 / 1550	90	5.3 - 10.0		
N283SH12-16*	Y	N0782YS120-160	1200-1600	782	1554	9420	10400	541 x 10 <sup>3</sup>	1000/500	150/3	40	500	0.050		0.920	0.450	1.62 / 1550	90	5.3 - 10.0		
N310SH02-06*	Y	N0992YS020-060	200-600	992	1995	11000	12100	732 x 10 <sup>3</sup>	1000/500	150/3	40	500	0.050		0.820	0.240	1.19 / 1550	90	5.3 - 10.0		
N200CH58-65	N	N0485LC580-650	5800-6500	485	970	4000	4400	96.8 x 10 <sup>3</sup>	- / -	300/4	60	1000	0.032	0.0388	1.350	2.100	2.40 / 500	340	10.0 - 20.0	101A216	
N255CH40-45	N	N0616LC400-450	4000-4500	616	1150	5250	5780	167 x 10 <sup>3</sup>	-/150	300/3	60	1000	0.032	0.0388	1.220	1.530	2.9 / 1100	340	10.0 - 20.0		
N257CH38-42	N	N0634LC380-420	3800-4200	634	1180	7000	7700	0.296 x 10 <sup>6</sup>	- / -	300/3	100	1000	0.032	0.0388	1.100	1.500	2.80 / 1100	340	10.0 - 20.0		
N260CH30-36	N	N0646LC300-360	3000-3600	646	1210	5700	6270	196 x 10 <sup>3</sup>	- / 200	300/3	60	1000	0.032	0.0388	1.210	1.360	2.71 / 1100	340	10.0 - 20.0		
N330SH20-26*	Y	N0910LS200-260	2000-2600	910	1788	9200	10100	510 x 10 <sup>3</sup>	600/300	300/3	60	1000	0.032	0.0388	1.040	0.606	2.07 / 1700	340	10.0 - 20.0		101A336
N350SH12-18*	Y	N1042LS120-180	1200-1800	1042	2072	11500	12650	800 x 10 <sup>3</sup>	1000/500	300/3	60	1000	0.032	0.0388	1.080	0.395	1.75 / 1700	340	10.0 - 20.0		
N370SH12-18*	Y	N1114LS120-180	1200-1800	1114	2214	12700	14000	980 x 10 <sup>3</sup>	1000/500	300/3	60	1000	0.032	0.0388	1.000	0.349	1.59 / 1700	340	10.0 - 20.0		
N520SH12-15*	Y	N1265LS120-150	1200-1800	1265	2517	15000	16000	1.280 x 10 <sup>6</sup>	1000/500	300/3	60	1000	0.032	0.0388	0.900	0.265	1.35 / 1700	340	10.0 - 20.0		
N320CH40-45	N	N0882NC400-450	4000-4500	882	1725	7700	8470	359 x 10 <sup>3</sup>	300/150	300/3	100	1000	0.024	0.029	1.300	0.920	2.77 / 1600	510	19.0 - 26.0	101A223	
N360CH30-38	N	N1010NC300-380	3000-3800	1010	1975	12100	13300	884 x 10 <sup>3</sup>	400/200	300/3	100	1000	0.024	0.029	1.170	0.687	2.43 / 1830	510	19.0 - 26.0		
N390CH30-36	N	N1132NC300-360	3000-3600	1132	2220	14300	15700	1.23 x 10 <sup>6</sup>	400/200	300/3	100	1000	0.024	0.029	1.150	0.510	2.08 / 1830	510	19.0 - 26.0		
N450SH20-26*	Y	N1297NS200-260	2000-2600	1297	2557	17600	19400	1.88 x 10 <sup>6</sup>	600/300	300/3	100	1000	0.024	0.029	1.030	0.380	2.0 / 2550	510	19.0 - 26.0		101A337
N490SH20-26*	Y	N1467NS200-260	2000-2600	1467	2912	21500	23600	2.78 x 10 <sup>6</sup>	1000/500	300/3	100	1000	0.024	0.029	1.000	0.272	1.69 / 2550	510	19.0 - 26.0		
N510SH16-20*	Y	N1547NS160-200	1600-2000	1547	3064	23300	25600	3.28 x 10 <sup>6</sup>	1000/500	300/3	100	1000	0.024	0.029	0.920	0.252	1.56 / 2550	510	19.0 - 26.0		
N540SH12-18*	Y	N1718NS120-180	1200-2000	1718	3450	27200	29900	4.47 x 10 <sup>6</sup>	1000/500	300/3	100	1000	0.024	0.029	0.979	0.169	1.41 / 2550	510	19.0 - 26.0		
N600SH12-16*	Y	N1802NS120-160	1200-1500	1802	3592	29600	32500	5.28 x 10 <sup>6</sup>	1000/500	300/3	100	1000	0.024	0.029	0.855	0.171	1.29 / 2550	510	19.0 - 26.0		
N610SH06-10*	Y	N2086NS060-100	600-1000	2086	4207	35000	38000	7.22 x 10 <sup>6</sup>	1000/500	300/3	100	1000	0.024	0.029	0.840	0.108	1.12 / 2550	510	19.0 - 26.0		
N410CH58-65	N	N0633NC580-650	5800-6500	633	1270	6650	7300	0.266 x 10 <sup>6</sup>	100/50	300/4	150	1000	0.024	0.029	1.380	1.640	3.02 / 1000	510	19.0 - 26.0	101A223	
N500CH38-42	N	N1159NC380-420	3800-4200	1159	2270	14500	16100	1.30 x 10 <sup>6</sup>	300/150	300/3	100	1000	0.022	0.027	1.100	0.574	2.15 / 1830	510	19.0 - 26.0		
N570CH30-36	N	N1314NC300-360	2000-3600	1314	2580	16630	18290	1.67 x 10 <sup>6</sup>	300/150	300/3	100	1000	0.022	0.027	1.000	0.437	2.11 / 2550	510	19.0 - 26.0		
N620SH24-30*	Y	N1479NS240-300	2400-3000	1479	2901	21000	23000	2.65 x 10 <sup>6</sup>	400/200	300/3	100	1000	0.022	0.027	0.920	0.342	1.80 / 2550	510	19.0 - 26.0		101A337
N680SH20-26*	Y	N1588NS200-260	2000-2600	1588	3138	22500	24750	3.06 x 10 <sup>6</sup>	300/150	300/3	100	1000	0.022	0.027	0.951	0.268	1.65 / 2550	510	19.0 - 26.0		
N740SH12-16*	Y	N2046NS120-160	1200-1600	2046	4141	29200	32200	5.18 x 10 <sup>6</sup>	300/150	300/3	100	1000	0.022	0.027	0.980	0.114	1.27 / 2550	510	19.0 - 26.0		
N560CH40-45	N	N1351VC400-450	4000-4500	1351	2645	17500	20000	2.00 x 10 <sup>6</sup>	300/150	300/3	150	1000	0.017	0.020	1.200	0.553	3.00 / 3220	1000	27.0 - 34.0	101A232	
N630CH30-36	N	N1661VC300-360	3000-3600	1661	3261	23000	25000	3.13 x 10 <sup>6</sup>	300/150	300/3	150	1000	0.017	0.020	1.040	0.350	2.17 / 3220	1000	27.0 / 34.0		
N640CH24-30	N	N1712VC240-300	2400-300	1712	3370	24500	30000	4.50 x 10 <sup>6</sup>	300/150	300/3	150	1000	0.017	0.020	1.050	0.320	2.08 / 3220	1000	27.0 - 34.0		
N760CH18-22	N	N2293VC180-220	1800-2200	2293	4575	33800	40000	8.00 x 10 <sup>6</sup>	300/150	300/3	150	1000	0.017	0.020	0.956	0.148	1.43 / 3220	1000	27.0 - 34.0		
N990CH12-16	N	N2500VC120-160	1200-1600	2500	5000	3700	45000	10.1 x 10 <sup>6</sup>	300/150	300/3	150	1000	0.017	0.020	0.880	0.124	1.28 / 3220	1000	27.0 - 34.0		
N635CH58-65	N	N1555ZC580-650	5800-6500	1555	3110	20000	22000	2.42 x 10 <sup>6</sup>	100/50	350/4	200	1000	0.011	0.012	1.200	0.600	1.80 / 1000	1700	27.0 - 47.0	101A281	
N750CH40-45	N	N2172ZC400-450	4000-4500	2172	4290	28000	33500	5.61 x 10 <sup>6</sup>	300/150	350/4	200	1000	0.011	0.012	1.350	0.294	2.23 / 3000	1700	27.0 - 47.0		
N850CH30-36	N	N2418ZC300-360	3000-3600	2418	4880	30000	36000	6.48 x 10 <sup>6</sup>	300/150	300/3	200	1000	0.011	0.012	1.160	0.246	1.90 / 3000	1700	27.0 - 47.0		
N880CH24-30	N	N2543ZC240-300	2400-3000	2543	4930	32000	39000	7.61 x 10 <sup>6</sup>	300/150	300/3	200	1000	0.011	0.012	0.780	0.274	1.60 / 3000	1700	27.0 - 47.0		
N900CH20-26	N	N3012ZC200-260	2000-2600	3012	5925	45100	49700	12.40 x 10 <sup>6</sup>	300/150	300/3	200	1000	0.011	0.012	0.920	0.160	1.40 / 3000	1700	27.0 - 47.0		
N980CH16-22	N	N3022ZC160-220	1600-2200	3022	5900	45600	55000	15.1 x 10 <sup>6</sup>	300/150	300/3	200	1000	0.011	0.012	0.880	0.164	1.37 / 3000	1700	27.0 - 47.0		
N1400CH14-20	N	N3533ZC140-200	1400-2000	3533	7060	50000	60000	18.0 x 10 <sup>6</sup>	300/150	300/3	200	1000	0.011	0.012	0.970	0.095	1.25 / 3000	1700	27.0 - 47.0		
N1600CH08-12	N	N4085ZC080-120	800-1200	4085	8165	64000	70000	24.5 x 10 <sup>6</sup>	300/150	300/3	200	1000	0.011	0.012	0.850	0.070	1.06 / 3000	1700	27.0 - 47.0		

N1063DH58-65	Y	N1847TD580-650	5300-6500	2010	3930	25200	28000	$2.6 \times 10^6$	300/150	300/2	200	1000	0.011		1.200	0.385	2.00 / 2000	1230	63.0 - 77.0	101A325
N1263CH45-52	Y	N2503TC450-520	4500-5200	2500	4880	37800	42000	$5.1 \times 10^6$	300/150	300/4	300	1000	0.011		1.00	0.250	2.0 / 4000	1230	63.0 - 77.0	
N1263DH45-52	N	N2503TC450-520	4500-5200	2500	4880	37800	42000	$5.1 \times 10^6$	300/150	300/4	300	1000	0.011		1.00	0.250	2.0 / 4000	1230	63.0 - 77.0	
N1463CH36-42	Y	N2849TC360-420	3600-4200	2850	5590	46800	52000	$8.2 \times 10^6$	300/150	300/3	250	1000	0.011		0.180	0.970	1.87 / 5000	1230	63.0 - 77.0	
N1463DH36-42	N	N2849TC360-420	3600-4200	2850	5590	46800	52000	$8.2 \times 10^6$	300/150	300/3	250	1000	0.011		0.180	0.970	1.87 / 5000	1230	63.0 - 77.0	
N1663CH30-35	Y	N3184TC300-350	3600-4200	3180	5460	49500	55000	$9.8 \times 10^6$	300/150	300/3	250	1000	0.011		0.95	0.14	1.74 / 6000	1230	63.0 - 77.0	
N1663DH30-35	N	N3184TC300-350	3600-4200	3180	5460	49500	55000	$9.8 \times 10^6$	300/150	300/3	250	1000	0.011		0.95	0.14	1.74 / 6000	1230	63.0 - 77.0	
N1863CH20-28	Y	N3573TC200-280	2000-2800	3560	6040	54000	64000	$10.1 \times 10^6$	300/150	300/3	250	1000	0.011		0.9	0.1	1.5 / 6000	1230	63.0 - 77.0	
N1863DH20-28	N	N3573TC200-280	2000-2800	3560	6040	54000	64000	$10.1 \times 10^6$	300/150	300/3	250	1000	0.011		0.9	0.1	1.5 / 6000	1230	63.0 - 77.0	

N1083CH58-65	Y	N2840FC580-650	5800-6500	2310	4130	40000	45000	$6.0 \times 10^6$	300/150	300/3	300	1000	0.009		0.29	1.23	2.10 / 3000	2800	81.0 - 98.0	101A322
N1283CH45-52	Y	N3764FC450-520	4500-5200	3764	6620	49500	55000	$15.13 \times 10^6$	300/150	300/3	300	1000	0.0065		1.0	0.2	2.0 / 5000	2800	81.0 - 98.0	
N1483CH36-42	Y	N4156FC360-420	3600-4200	3400	5950	54000	60000	$10.1 \times 10^6$	300/150	300/3	250	1000	0.009		0.85	0.17	1.87 / 6000	2800	81.0 - 98.0	
N1683CH30-35	Y	N4803FC300-350	3000-3500	3890	6650	60000	67000	$10.2 \times 10^6$	300/150	300/3	250	1000	0.009		0.94	0.11	1.60 / 6000	2800	81.0 - 98.0	
N1883CH20-28	Y	N5107FC200-280	2000-2800	4145	7115	67500	75000	$10.8 \times 10^6$	300/150	300/3	300	1000	0.009		0.8	0.1	1.40 / 6000	2800	81.0 - 98.0	
N1983CH18-22	Y	N5946FC180-220	1800-2200	5946	10155	72000	80000	$32.0 \times 10^6$	300/150	300/3	200	1000	0.0065		0.855	0.065	1.25 / 6000	2800	81.0 - 98.0	

The information contained herein is confidential and is protected by Copyright. The information may not be used or disclosed except with the written permission of and in the manner permitted by the proprietors Westcode Semiconductors Limited. In the interest of product improvement, Westcode reserves the right to change specifications at any time without prior notice.

Note 1  $I_{TSM} (8.3ms) = I^2 t (10ms) \times 0.943$  at initial temperature  $T_J 125^\circ C$

Note 2  $V_o$  Threshold Voltage  
r Slope resistance ) for conduction loss and heatsink calculations ( $T_J = 125^\circ C$ )

Note 3 Capsule outlines available with compressed heights:

Outline 101A281 25.6 / 26.9 = ordering code NxxxDHxx, e.g. N980DH12

Note 4 di/dt ratings refer to the sum of snubber discharge an

Note 5 A blocking derating factor of 0.13 per degree Centigrade for  $T_J$  below  $25^\circ C$

## RECTIFIER DEVICE - Phase Control Thyristors - Medium Power Stud Types

Old Part Number	PDF Data Sheet Available	New Part Number	V <sub>DRM</sub> V <sub>R<sub>RM</sub></sub> Range		I <sub>T(AV)</sub> @ T <sub>CASE</sub>		I <sub>T(RMS)</sub> at T <sub>sink</sub> 25°C	I <sub>T</sub> at T <sub>sink</sub> 25°C	I <sub>TSM(1)</sub> 10ms V <sub>R</sub> £60% V <sub>RRM</sub> (Note 1)	I <sub>TSM(2)</sub> 10ms V <sub>R</sub> £10V (Note 1)	I <sup>2</sup> t <sub>(2)</sub> (Note 1)	di/dt Non-Rep/Rep (Note 4)	I <sub>GT</sub> /V <sub>GT</sub> @ 25°C (mA) (V)	I <sub>DRM</sub> I <sub>RRM</sub> @ 125°C (mA)	I <sub>H</sub> @ 25°C (mA)	Rth j-c		Rth c-s	V <sub>O</sub> @ T <sub>J</sub> 125°C (V) (Note 2)	r	V <sub>TM</sub> at I <sub>TM</sub> @ T <sub>J</sub> 125°C (V) (A)	Wt (Typ) (g)	Mounting Torque (kgfm <sup>-1</sup> )	Outline No. (Note 5)
			(V)	(A)	(°C)	(A)	(A)	(A)	(A)	(A <sup>2</sup> s)	(A/ms)	(mA)	(mA)	(mA)	d.c. 180° sine (K/W)	120° Rect. (K/W)	(K/W)	(mW)	(V)	(g)	(kgfm <sup>-1</sup> )			
N060RH06-15	N	<b>N0089SR060-150</b>	600-1500	89	(55)	100	100	1000	1100	6613	400/200	100/3	10	160	0.35		0.10	0.89	6.10	2.10	195	33	0.41-0.48	101A153

The information contained herein is confidential and is protected by Copyright. The information may not be used or disclosed except with the written permission of and in the manner permitted by the proprietors Westcode Semiconductors Limited. In the interest of product improvement, Westcode reserves the right to change specifications at any time without prior notice.

Note 1  $I_{TSM}(8.3ms) = I_{TSM}(10ms) \times 1.066$        $I^2t(8.3ms) = I^2t(10ms) \times 0.943$

Note 2 V<sub>o</sub> Threshold Voltage  
r Slope resistance ) for conduction loss and heatsink calculations. (T<sub>J</sub> = 125°C)

Note 3 A blocking voltage derating factor of 0.13% per degree centigrade is applicable for T<sub>J</sub> below 25°C

Note 4 di/dt ratings refer to the sum of snubber discharge and load currents.

Note 5 Outline 101A153 - leaded types available, code changes from RH to PH. Lead length 146mm (base of hexagon to centre of lug hole).