

Programmable Clock OSC

SG-8018CA

SEIKO EPSON CORPORATION

Product name SG-8018CA 78.643200 MHz TJHPA

Product Number / Ordering code X1G0055710071xx

Please refer to the 8.Packing information about xx (last 2 digits)

Output waveform CMOS

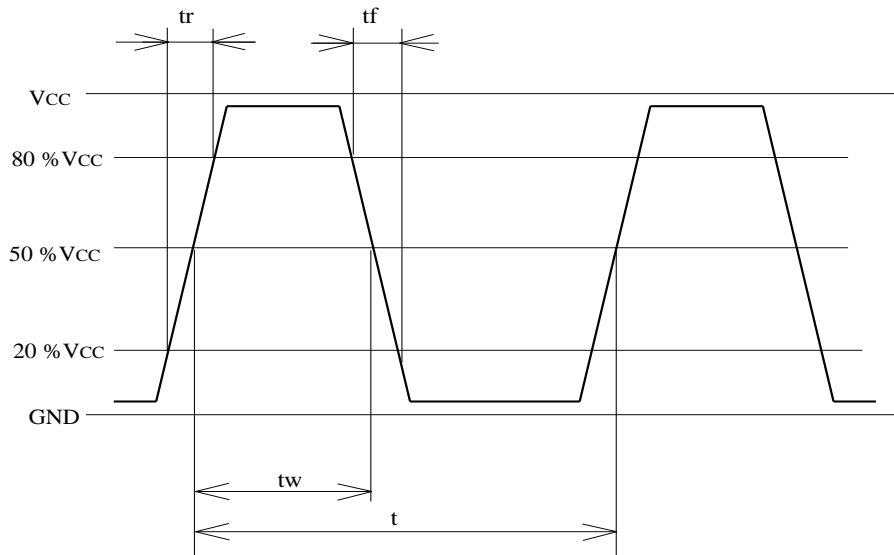
Pb free / Complies with EU RoHS directive

Reference weight Typ. 143 mg

1.Absolute maximum ratings						
Parameter	Symbol	Min.	Typ.	Max.	Unit	Conditions / Remarks
Maximum supply voltage	Vcc-GND	-0.3	-	+4.0	V	-
Storage temperature	T_stg	-40	-	+125	°C	Stored as bare product after unpacking
Input voltage	Vin	GND-0.5	-	Vcc+0.3	V	ST or OE terminal

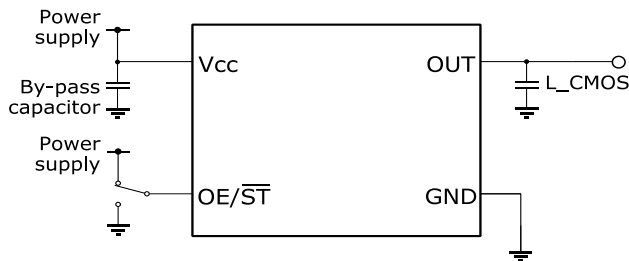
2.Specifications(characteristics)						
Parameter	Symbol	Min.	Typ.	Max.	Unit	Conditions / Remarks
Output frequency	f0		78.643200		MHz	
Supply voltage	Vcc	1.62	-	3.63	V	Typ. 1.8V / 2.5V / 3.3V
Operating temperature	T_use	-40	-	+105	°C	-
Frequency tolerance	f_tol	-50	-	+50	x10 ⁻⁶	T_use : -40 to +105°C
Current consumption	Icc	-	-	5.9	mA	Vcc=3.3V Typ., No load
Stand-by current	I_std	-	-	-	µA	-
Disable current	I_dis	-	-	3.5	mA	Vcc=3.3V Typ., OE=GND
Symmetry	SYM	45	-	55	%	50%Vcc, L_CMOS=<15pF
Output voltage	V _{OH}	90%Vcc	-	-	V	-
	V _{OL}	-	-	10%Vcc	V	-
Output load condition	L_CMOS	-	-	15	pF	CMOS Load
Input voltage	V _{IH}	70%Vcc	-	-	V	OE Terminal
	V _{IL}	-	-	30%Vcc	V	OE Terminal
Rise time	t _r	-	-	3	ns	20% to 80%Vcc, L_CMOS=15pF
Fall time	t _f	-	-	3	ns	20% to 80%Vcc, L_CMOS=15pF
Disable time	t _{stp}	-	-	1	µs	Measured from the time OE or ST pin crosses 30%Vcc
Enable time	t _{sta}	-	-	1	µs	Measured from the time OE pin crosses 70%Vcc
Resum time	t _{res}	-	-	-	ms	-
Start-up time	t _{str}	-	-	3	ms	Measured from the time Vcc reaches its rated minimum value, 1.62V
Frequency aging	f_age	-	-	-	x10 ⁻⁶ /Year	Included in Frequency tolerance 10 years

3. Timing chart

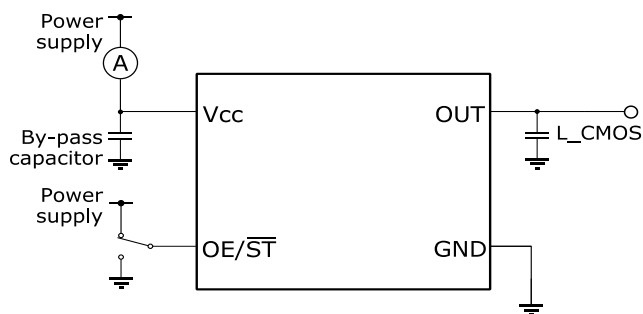


4. Test circuit

1) Waveform observation



2) Current consumption



* Current consumption under the disable function should be OE = GND
 Current consumption under the standby function should be ST = GND.

3) Measurement conditions

- (1) L_CMOS includes probe capacitance.
- (2) Mount a by-pass capacitor (approx. 0.01 to 0.1 μ F) near the mains terminals of the oscillator (between Vcc and GND)

5.External dimensions (Unit: mm)

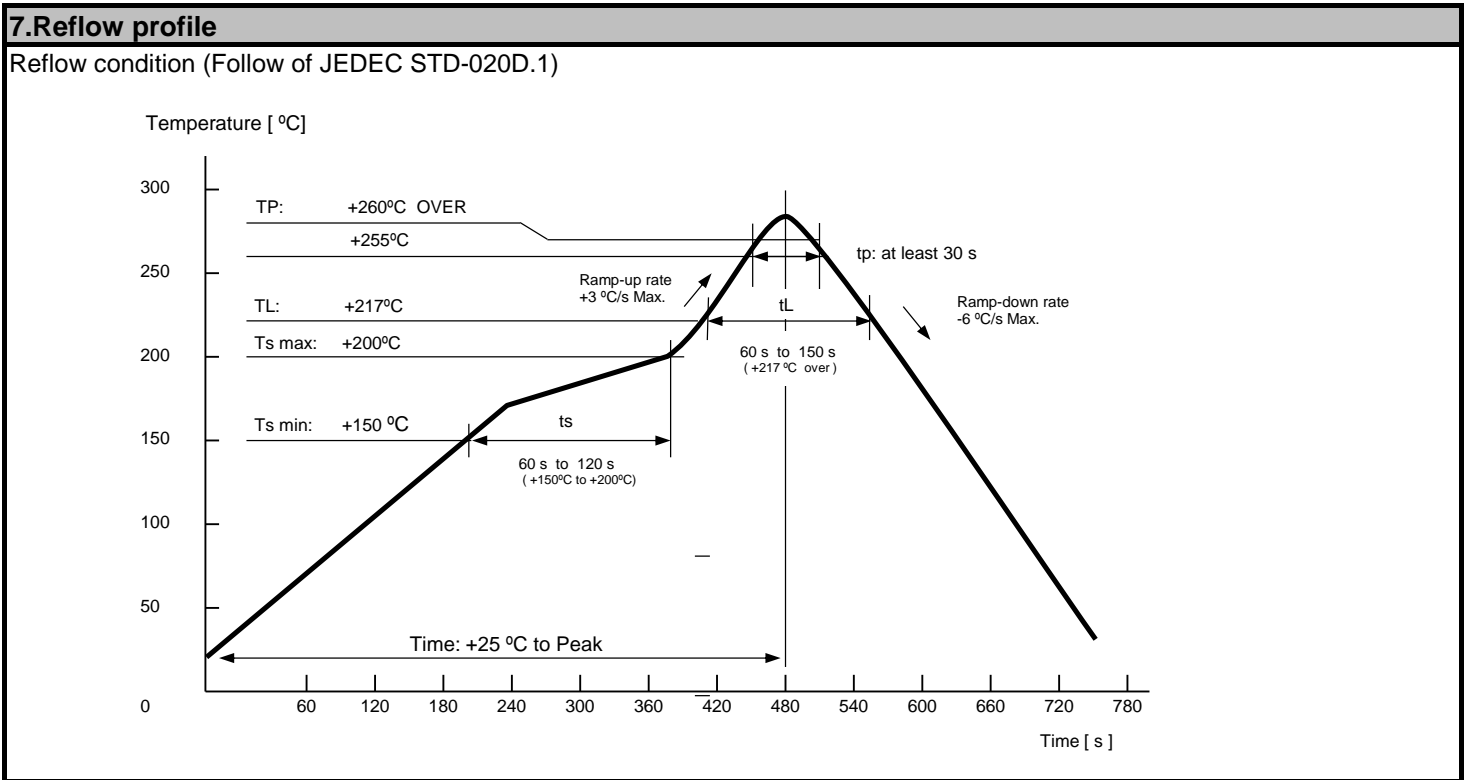
Pin map

Pin	Connection
1	OE or \overline{ST}
2	GND
3	OUT
4	VCC

OE Pin = "H" : Specified frequency output.
 OE Pin = "L" : Output is low level (weak pull - down)
 ST Pin = "H" : Specified frequency output.
 ST Pin = "L" : Output is low level (weak pull - down), oscillation stops.

6.Footprint(Recommended) (Unit: mm)

In order to achieve optimum jitter performance, the 0.1 μ F capacitor between VCC and GND should be placed. It is also recommended that the capacitors are placed on the device side of the PCB, as close to the device as possible and connected together with short wiring pattern.



8.Packing information

[1]Product number last 2 digits code(xx) description The recommended code is "00"

X1G0055710071xx

Code	Condition	Code	Condition
01	Any Q'ty vinyl bag(Tape cut)	13	500pcs / Reel
11	Any Q'ty / Reel	00	1000pcs / Reel
12	250pcs / Reel		

[2] Taping specification

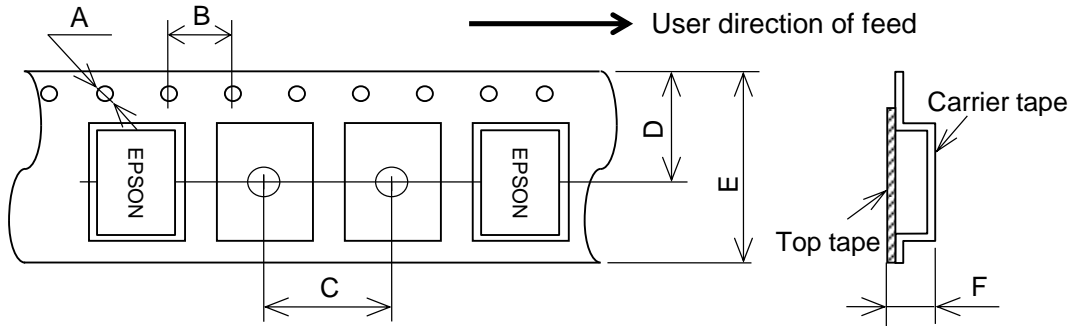
Subject to EIA-481 & IEC-60286

(1) Tape dimensions

Material of the Carrier Tape : PS

Material of the Top Tape : PET

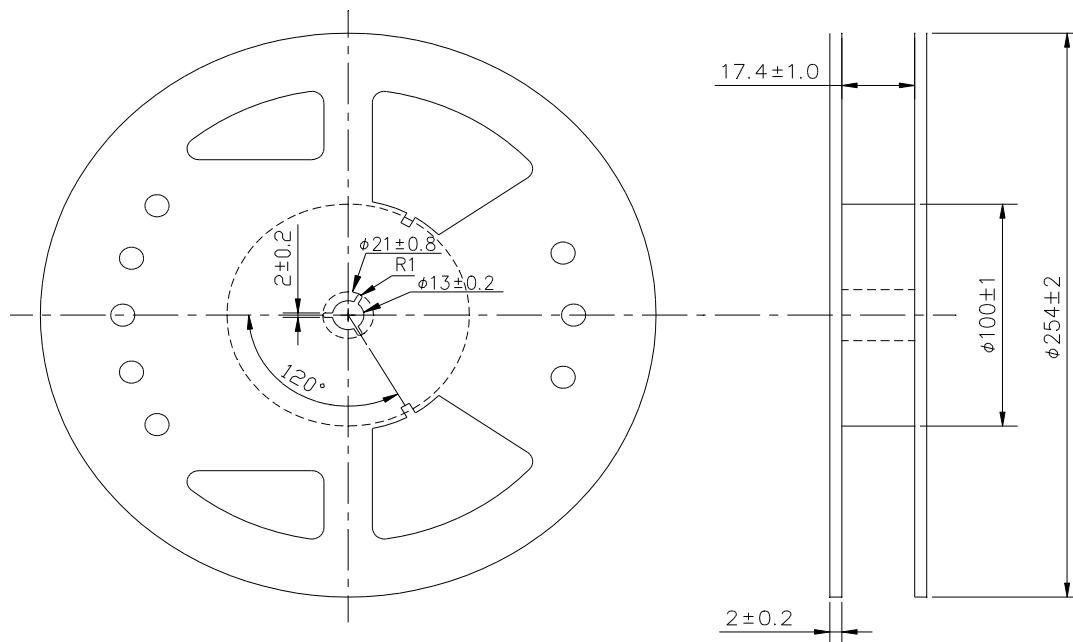
Unit: mm



Symbol	A	B	C	D	E	F
Value	$\Phi 1.5$	4.0	8.0	9.25	16.0	2.3

(2) Reel dimensions

Material of the Reel : PS



Form and Size of reel window shows are one of the example

9. Notice

- This material is subject to change without notice.
- Any part of this material may not be reproduced or duplicated in any form or any means without the written permission of Seiko Epson.
- The information about applied data, circuitry, software, usage, etc. written in this material is intended for reference only.
Seiko Epson does not assume any liability for the occurrence of customer damage or infringing on any patent or copyright of a third party.
This material does not authorize the licensing for any patent or intellectual copyrights.
- When exporting the products or technology described in this material, you should comply with the applicable export control laws and regulations and follow the procedures required by such laws and regulations.
- You are requested not to use the products (and any technical information furnished, if any) for the development and/or manufacture of weapon of mass destruction or for other military purposes. You are also requested that you would not make the products available to any third party who may use the products for such prohibited purposes.
- These products are intended for general use in electronic equipment. When using them in specific applications that require extremely high reliability, such as the applications stated below, you must obtain permission from Seiko Epson in advance.
 - / Space equipment (artificial satellites, rockets, etc.)
 - / Transportation vehicles and related (automobiles, aircraft, trains, vessels, etc.)
 - / Medical instruments to sustain life
 - / Submarine transmitters
 - / Power stations and related
 - / Fire work equipment and security equipment
 - / Traffic control equipment
 - / And others requiring equivalent reliability.

10. Contact us

<https://www5.epsondevice.com/en/contact/>