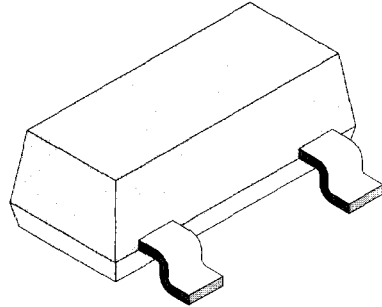


## 300 mW Dual Surface Mount Zener Diodes

### Features

- SOT–23 surface mount package
- 300 mW power dissipation rating
- Ideally suited for automatic insertion
- $\Delta V_Z$  for both diodes in one case is  $\leq 5\%$
- Common anode style available see AZ series



94 8550

### Absolute Maximum Ratings

 $T_j = 25^\circ\text{C}$ 

Parameter	Test Conditions	Symbol	Value	Unit
Power dissipation	on fiberglass substrate	$P_d$	300	mW
Junction and storage temperature range		$T_j = T_{stg}$	-55...+150	$^\circ\text{C}$

### Maximum Thermal Resistance

 $T_j = 25^\circ\text{C}$ 

Parameter	Test Conditions	Symbol	Value	Unit
Junction ambient	on fiberglass substrate	$R_{thJA}$	420	K/W

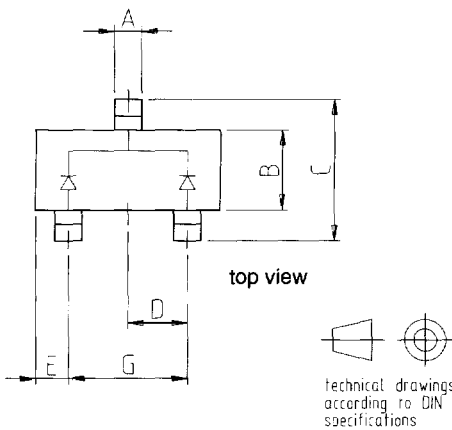
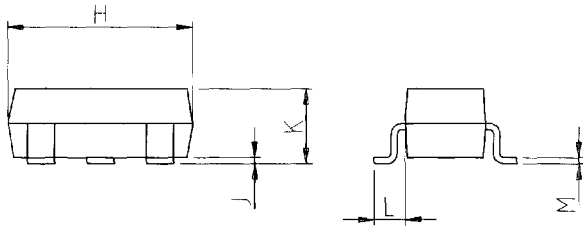
# DZ23C2V7–DZ23C51

Vishay Telefunken



Type	Marking	$V_Z$	$Z_{ZT}$	$Z_{ZK}$	$T_C$	$V_R$
DZ23C...		V	$\Omega$	$\Omega$	%/°C	V
		@ $I_{ZT}=5mA$	@ $I_{ZT}=5mA$	@ $I_{ZT}=1mA$		@ $I_R=0.1\mu A$
2V7	KV1	2.5 to 2.9	83	500	-0.065	-
3V0	KV2	2.8 to 3.2	95	500	-0.060	-
3V3	KV3	3.1 to 3.5	95	500	-0.055	-
3V6	KV4	3.4 to 3.8	95	500	-0.055	-
3V9	KV5	3.7 to 4.1	95	500	-0.050	-
4V3	KV6	4.0 to 4.6	95	500	-0.035	-
4V7	KV7	4.4 to 5.0	78	500	-0.015	-
5V1	KV8	4.8 to 5.4	60	480	+0.005	0.8
5V6	KV9	5.2 to 6.0	40	400	+0.020	1.0
6V2	KVA	5.8 to 6.6	10	200	+0.030	2.0
6V8	KVB	6.4 to 7.2	8	150	+0.045	3.0
7V5	KVC	7.0 to 7.9	7	50	+0.050	5.0
8V2	KVD	7.7 to 8.7	7	50	+0.055	6.0
9V1	KVE	8.5 to 9.6	10	50	+0.065	7.0
10	KVF	9.4 to 10.6	15	70	+0.065	7.5
11	KVG	10.4 to 11.6	20	70	+0.070	8.5
12	KVH	11.4 to 12.7	20	90	+0.075	9.0
13	KVI	12.4 to 14.1	25	110	+0.080	10.0
15	KVJ	13.8 to 15.6	30	110	+0.080	11.0
16	KVK	15.3 to 17.1	40	170	+0.090	12.0
18	KVL	16.8 to 19.1	50	170	+0.090	14.0
20	KVM	18.8 to 21.2	50	220	+0.090	15.0
22	KVN	20.8 to 23.3	55	220	+0.090	17.0
24	KVO	22.8 to 25.6	80	220	+0.090	18.0
27	KVP	25.1 to 28.9	80	250	+0.090	20.0
30	KVQ	28 to 32	80	250	+0.090	22.5
33	KVR	31 to 35	80	250	+0.090	25.0
36	KVS	34 to 38	90	250	+0.090	27.0
39	KVT	37 to 41	90	300	+0.110	29.0
43	KVU	40 to 46	100	700	+0.110	32.0
47	KVV	44 to 50	100	750	+0.110	35.0
51	KVW	48 to 54	100	750	+0.110	38.0

- 1) Device on fiberglass substrate
- 2) Tested with  $I_{ZT}$  current pulses. Pulse width = 5 ms.

**Dimensions in mm**


SOT-23		
Dim	Min	Max
A	0.37	0.50
B	1.19	1.40
C	2.10	2.50
D	0.89	1.05
E	0.45	0.61
G	1.78	2.05
H	2.79	3.05
J	0.013	0.15
K	0.89	1.10
L	0.45	0.61
M	0.076	0.130
All Dimensions in mm		

14372

Case: SOT23, molded plastic  
 Mounting position: any  
 Approx. weight: 0.008 grams