

THIS DRAWING IS UNPUBLISHED.

RELEASED FOR PUBLICATION

.19

LOC  
DY

DIST  
-

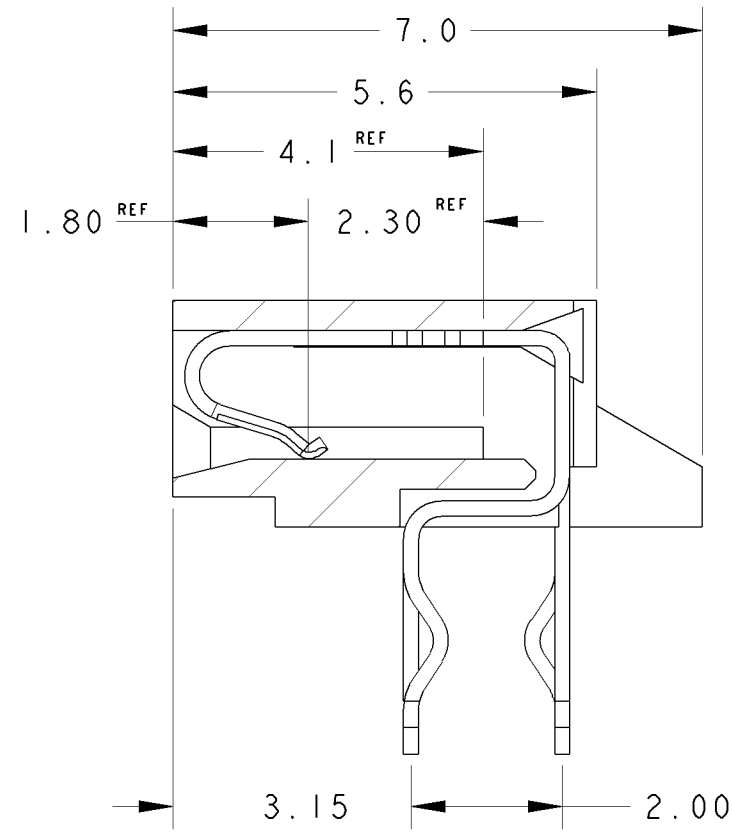
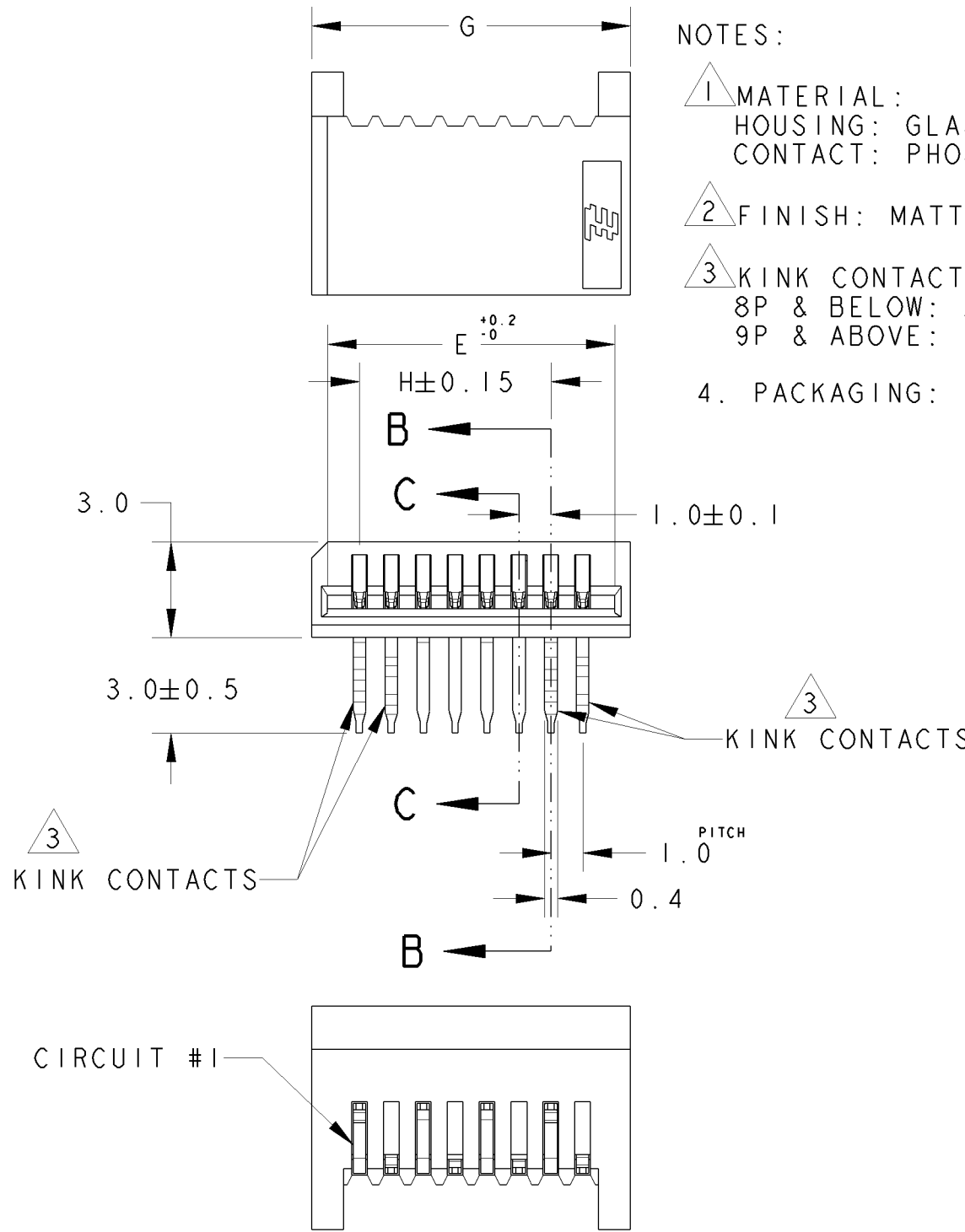
REVISIONS

© COPYRIGHT 19 BY AMP INCORPORATED. ALL RIGHTS RESERVED.

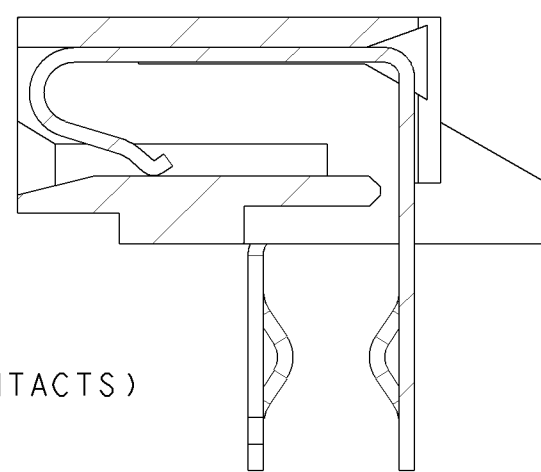
| P | LTR | DESCRIPTION           | DATE    | DWN | APVD |
|---|-----|-----------------------|---------|-----|------|
|   | FI  | REVISED ECR-10-010305 | 13MAY10 | LYM | LSF  |

NOTES:

- 1 MATERIAL:  
HOUSING: GLASS FILLED PBT, NATURAL COLOR (WHITE)  
CONTACT: PHOSPHOR BRONZE
- 2 FINISH: MATTE TIN OVER NICKEL UNDERPLATE
- 3 KINK CONTACTS LOCATION:  
8P & BELOW: ALL POSITIONS  
9P & ABOVE: 4 CONTACTS (2 PAIRS) EACH END
- 4. PACKAGING: TUBE



SECTION C-C (FOR ODD POSITION CONTACTS) SCALE 10:1



|       |       |       |       |      |           |
|-------|-------|-------|-------|------|-----------|
| 29.00 | 32.00 | 31.00 | 31.00 | 30   | 3-84983-0 |
| 28.00 | 31.00 | 30.00 | 30.00 | 29   | 2- -9     |
| 27.00 | 30.00 | 29.00 | 29.00 | 28   | 2- -8     |
| 26.00 | 29.00 | 28.00 | 28.00 | 27   | 2- -7     |
| 25.00 | 28.00 | 27.00 | 27.00 | 26   | 2- -6     |
| 24.00 | 27.00 | 26.00 | 26.00 | 25   | 2- -5     |
| 23.00 | 26.00 | 25.00 | 25.00 | 24   | 2- -4     |
| 22.00 | 25.00 | 24.00 | 24.00 | 23   | 2- -3     |
| 21.00 | 24.00 | 23.00 | 23.00 | 22   | 2- -2     |
| 20.00 | 23.00 | 22.00 | 22.00 | 21   | 2- -1     |
| 19.00 | 22.00 | 21.00 | 21.00 | 20   | 2-84983-0 |
| 18.00 | 21.00 | 20.00 | 20.00 | 19   | 1- -9     |
| 17.00 | 20.00 | 19.00 | 19.00 | 18   | 1- -8     |
| 16.00 | 19.00 | 18.00 | 18.00 | 17   | 1- -7     |
| 15.00 | 18.00 | 17.00 | 17.00 | 16   | 1- -6     |
| 14.00 | 17.00 | 16.00 | 16.00 | 15   | 1- -5     |
| 13.00 | 16.00 | 15.00 | 15.00 | 14   | 1- -4     |
| 12.00 | 15.00 | 14.00 | 14.00 | 13   | 1- -3     |
| 11.00 | 14.00 | 13.00 | 13.00 | 12   | 1- -2     |
| 10.00 | 13.00 | 12.00 | 12.00 | 11   | 1- -1     |
| 9.00  | 12.00 | 11.00 | 11.00 | 10   | 1-84983-0 |
| 8.00  | 11.00 | 10.00 | 10.00 | 9    | -9        |
| 7.00  | 10.00 | 9.00  | 9.00  | 8    | -8        |
| 6.00  | 9.00  | 8.00  | 8.00  | 7    | -7        |
| 5.00  | 8.00  | 7.00  | 7.00  | 6    | -6        |
| 4.00  | 7.00  | 6.00  | 6.00  | 5    | -5        |
| 3.00  | 6.00  | 5.00  | 5.00  | 4    | 84983-4   |
| H     | G     | F     | E     | POS. | PART NO.  |

|   |  |                           |   |                    |              |
|---|--|---------------------------|---|--------------------|--------------|
| THIS DRAWING IS A CONTROLLED DOCUMENT FOR AMP INCORPORATED. IT IS SUBJECT TO CHANGE AND THE CONTROLLING ENGINEERING ORGANIZATION SHOULD BE CONTACTED FOR THE LATEST REVISION. |  | DWN<br>WYLEE<br>15JUN04   | Tyco Electronics Corporation<br>Singapore |                    |              |
| DIMENSIONS:<br>mm   |  | CHK<br>LP TAN             | NAME<br>ASSY, 1.00mm FFC CONN<br>DIP, H   |                    |              |
| TOLERANCES UNLESS OTHERWISE SPECIFIED:<br>0 PLC ±0.30<br>1 PLC ±0.30<br>2 PLC ±0.30<br>3 PLC ±<br>4 PLC ±<br>ANGLES ±3°   |  | APVD<br>SF LEONG          | DRAWING NO<br>C-84983                     |                    |              |
| MATERIAL<br>1   |  | PRODUCT SPEC<br>108-51058 | SIZE<br>A3                                | CAGE CODE<br>00779 | SHEET 1 OF 2 |
| FINISH<br>2   |  | APPLICATION SPEC<br>-     | WEIGHT<br>-                               |                    | REV<br>FI    |
| CUSTOMER DRAWING  |  |                           | SCALE 5:1                                 |                    |              |

THIS DRAWING IS UNPUBLISHED.

RELEASED FOR PUBLICATION

.19

© COPYRIGHT 19

BY AMP INCORPORATED.

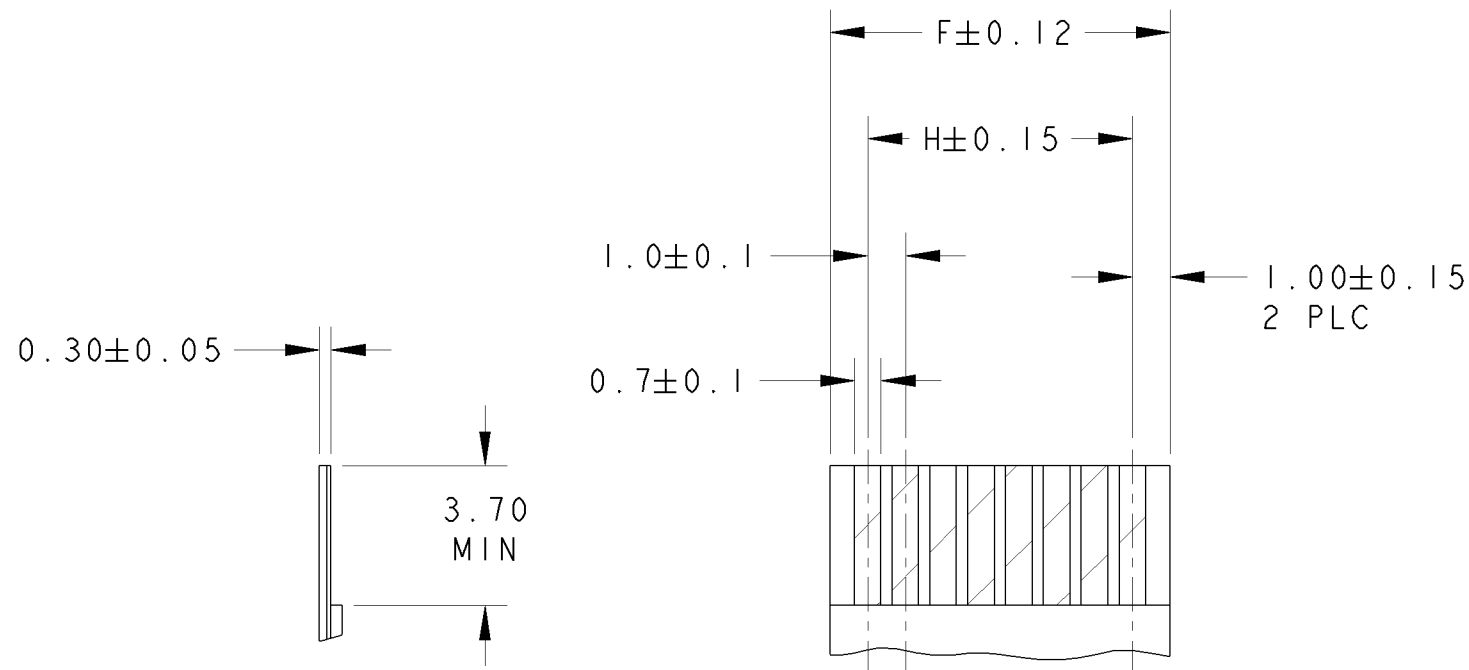
ALL RIGHTS RESERVED.

LOC  
DY

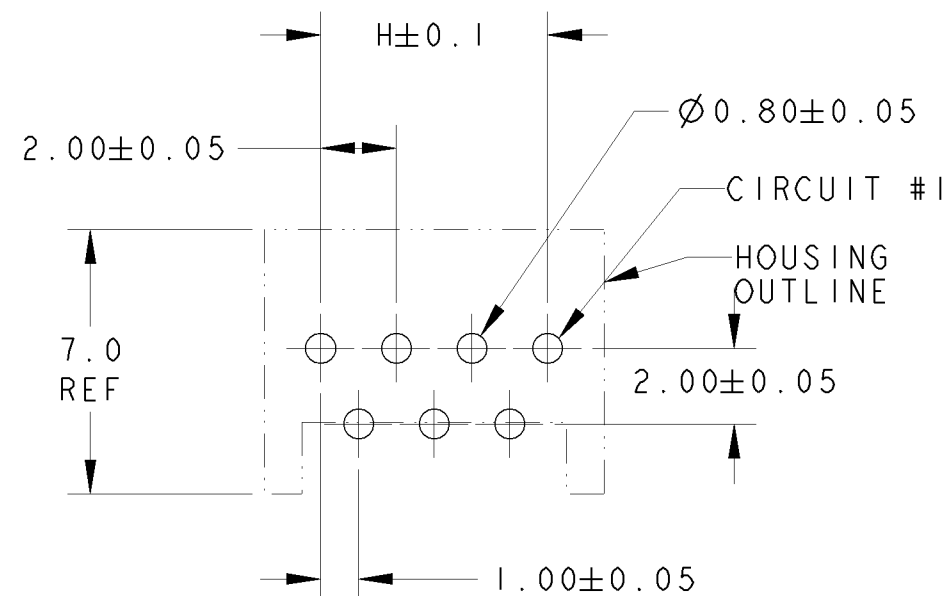
DIST  
-

REVISIONS

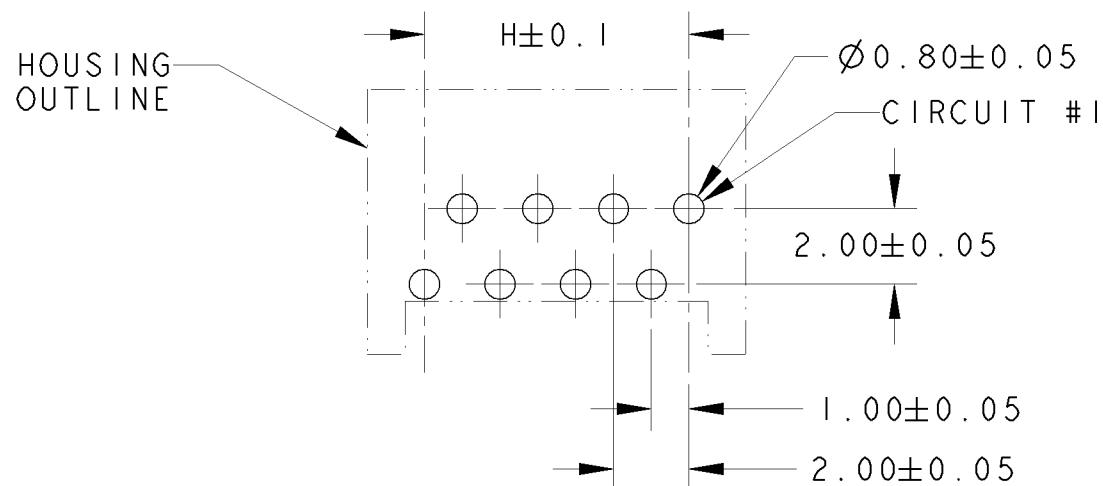
| P | LTR | DESCRIPTION | DATE | DWN | APVD |
|---|-----|-------------|------|-----|------|
|   |     | SEE SHEET 1 |      |     |      |



RECOMMENDED FFC/FPC



RECOMMENDED PCB LAYOUT (THK= 1.6±0.1)  
(FOR ODD POSITION CONNECTORS)  
NON-ACCUMULATIVE TOLERANCE



RECOMMENDED PCB LAYOUT (THK= 1.6±0.1)  
(FOR EVEN POSITION CONNECTORS)  
NON-ACCUMULATIVE TOLERANCE

|   |             |                           |                       |   |                    |
|---|-------------|---------------------------|-----------------------|---|--------------------|
| THIS DRAWING IS A CONTROLLED DOCUMENT FOR AMP INCORPORATED. IT IS SUBJECT TO CHANGE AND THE CONTROLLING ENGINEERING ORGANIZATION SHOULD BE CONTACTED FOR THE LATEST REVISION. |             | DWN<br>WYLEE              | 15JUN04               | Tyco Electronics Corporation<br>Singapore |                    |
| DIMENSIONS:<br>mm   |             | CHK<br>LP TAN             | APVD<br>SF LEONG      | NAME<br>ASSY, 1.00mm FFC CONN<br>DIP, H   |                    |
| TOLERANCES UNLESS OTHERWISE SPECIFIED:<br>0 PLC ±0.30<br>1 PLC ±0.30<br>2 PLC ±0.30<br>3 PLC ±<br>4 PLC ±<br>ANGLES ±3°   |             | PRODUCT SPEC<br>108-51058 | APPLICATION SPEC<br>- | SIZE<br>A3                                | CAGE CODE<br>00779 |
| MATERIAL<br>1   | FINISH<br>2 | WEIGHT<br>-               | DRAWING NO<br>C-84983 | SCALE<br>5:1                              | SHEET<br>2 OF 2    |
| CUSTOMER DRAWING  |             |                           | REV<br>F1             |   |                    |