

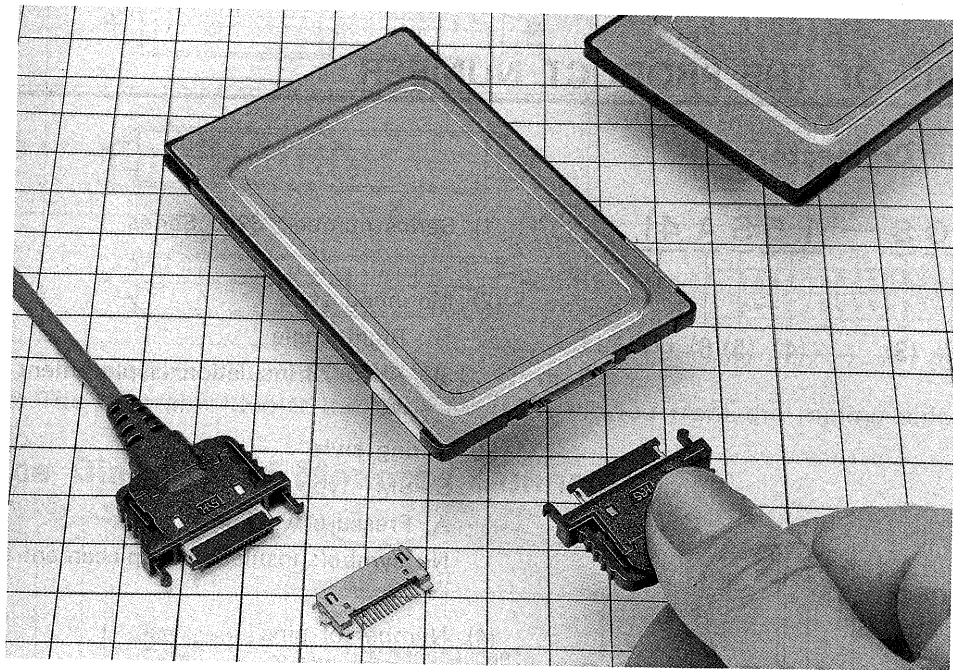
HRS 3200 SERIES

15-Pin Connectors for I/O Card Interfaces

■ GENERAL

The 3200 Series of connectors was developed for use at the interface side of I/O cards and can be used with type I and type II cards.

A frame kit has also been developed as an associated product.



■ FEATURES

1. The receptacle connector features a super low profile with a height of 2.9 mm and uses a metal shell; it is both durable and offers complete shielding characteristics. This connector can be mounted on type I and type II cards.
2. The five types of incorrect insertion prevention keys prevent misaligned fits.
3. The connector has a simple lock which prevents it from becoming disconnected even with some prying. The connector also locks onto the frame so that when there is force exerted on the connector, the load is not applied directly to the internal board.
4. The board mounting system uses a 0.8 mm pitch SMT system that makes mounting easy.
5. The wiring of the plug side can be terminated by insulation displacement or solder.
6. The contacts are shaped like half of a tuning fork and provide complete contact even when subjected to twists.

■ APPLICATIONS

These connectors can be used in applications such as a wide variety of I/O cards (e.g., modem and LAN), portable personal computers, and hand held terminals.

■ MATERIALS AND FINISH

Main materials used			
Receptacle connector	Insulator	Synthetic resin	Black*
	Pins	Copper alloy	Partial gold plating
	Shell	Stainless steel	Solder plating
Plug connectors	Insulator	Synthetic resin	Black*
	Pins	Copper alloy	Partial gold plating
	Shell	Copper alloy	Solder plating
	Cover	Synthetic resin	Black*

*UL94V-0

■ ELECTRICAL PERFORMANCE

Major Specifications	
Current capacity	500 mA
Rated voltage	125 V AC
Insulation resistance	250 MΩ or greater at 100 V DC
Withstand voltage	300 V AC rms for 1 minute

■ STRUCTURE OF THE PRODUCT NUMBER

● Receptacle Connectors

3 2 10 S — 1 5 S A 41

(1) (2) (3) (4) (5)(6) (7)

- (1) Series number: 3200 Series
- (2) Mounting style
10: Right angle
30: AWG 28 insulation displacement type
- (3) Wiring style
S: SMT type
A: Pressure welding type
No symbol: Insulation displacement type

● Plug connectors

3 2 30 A — 1 5 P A — C 2

(1) (2) (3) (4) (5)(6) (8)

- (4) Number of pins
- (5) Type of opening
P: Plug
S: Receptacle
- (6) Type of incorrect insertion prevention keys
A through E
- (7) Height of connector lead at the receptacle side
41: 0.3 mm eccentric from center
- (8) Type of cover case at the plug side
C1: Eccentric form type
C2: Center distributed type

◆ Incorrect Insertion Prevention Keys

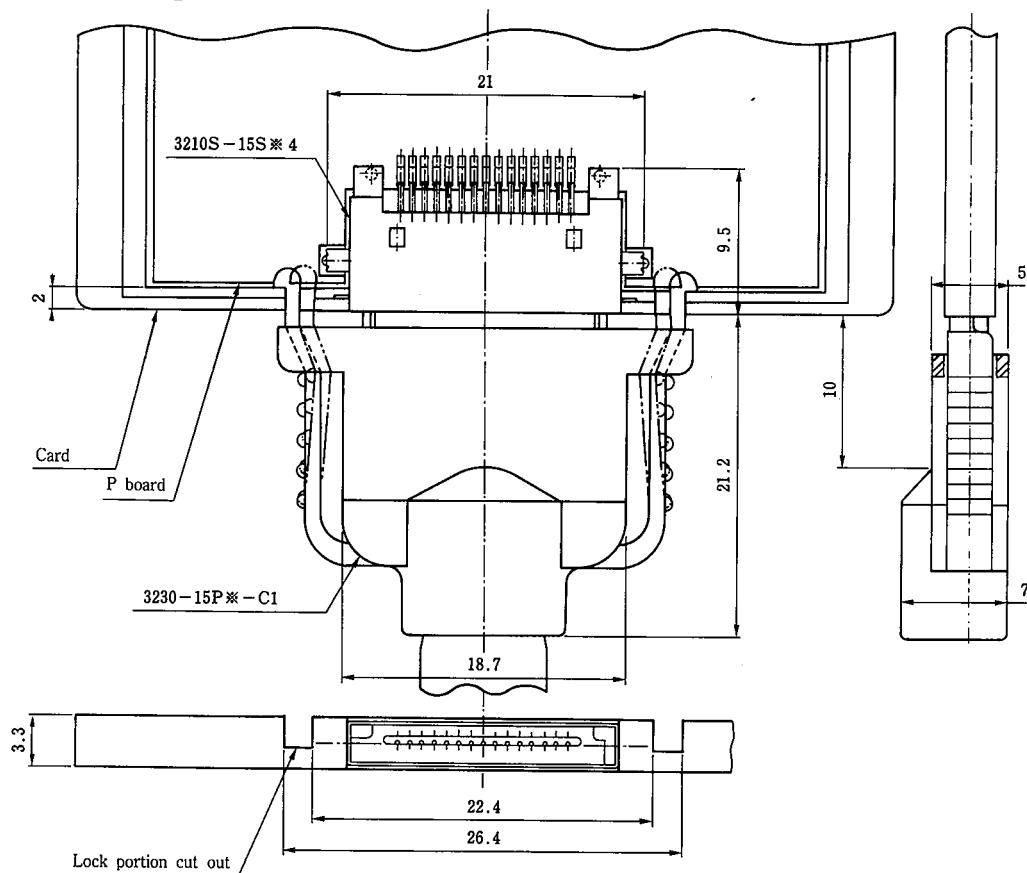
Combination of incorrect insertion prevention keys

	3210S - 15S※41 RECEPTACLE	3230 - 15P※ - C1 PLUG
Type A		
Type B		
Type C		
Type D		
Type E		

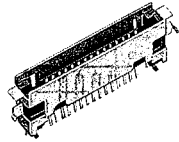
NOTE 1: The asterisk (※) denotes A, B, C, D, or E.

NOTE 2: The diagrams depict the connectors as viewed from the mating side.

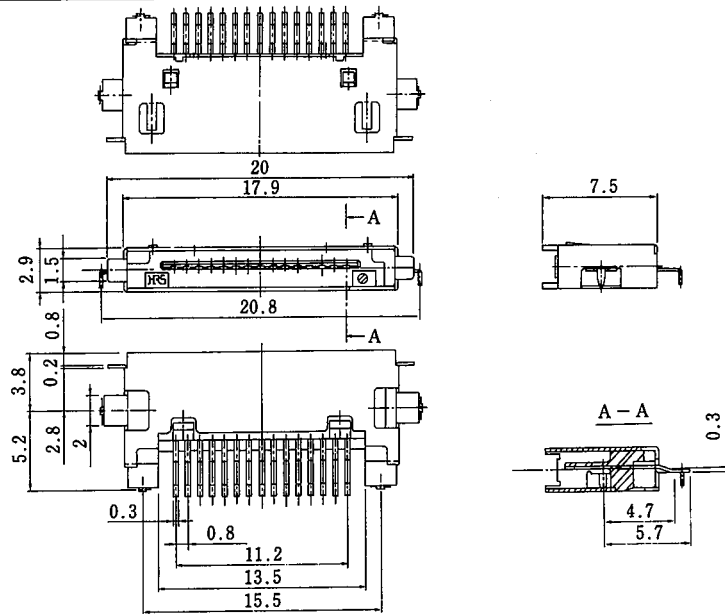
◆ Reference Diagram of Mounted Connector



RECEPTACLE CONNECTORS

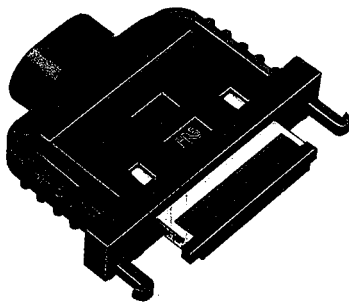


CL232-0056-6
3210S-15SA41

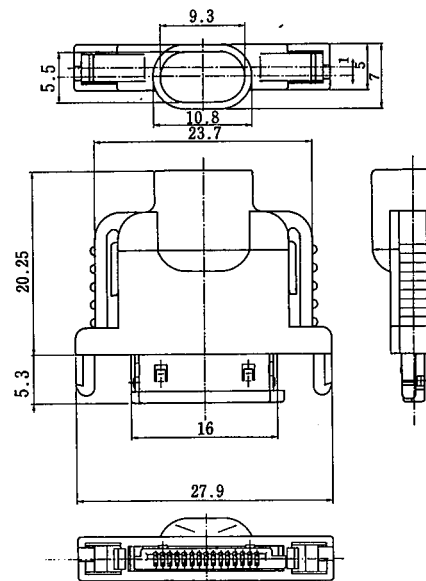


HRS No.	Number of pins	Product No.	Key type
CL232-0056-6	15	3210S-15SA41	A
CL232-0057-9	15	3210S-15SB41	B
CL232-0058-1	15	3210S-15SC41	C
CL232-0059-4	15	3210S-15SD41	D
CL232-0060-3	15	3210S-15SE41	E

PLUG CONNECTORS (TYPE C1 RECEPTACLE COVER CASE)

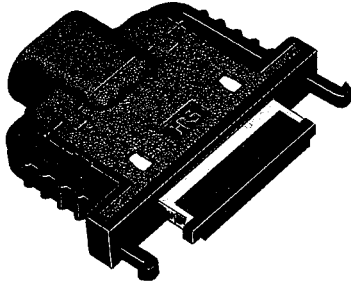


CL232-0003-0-09
3230-15PA-C1(09)

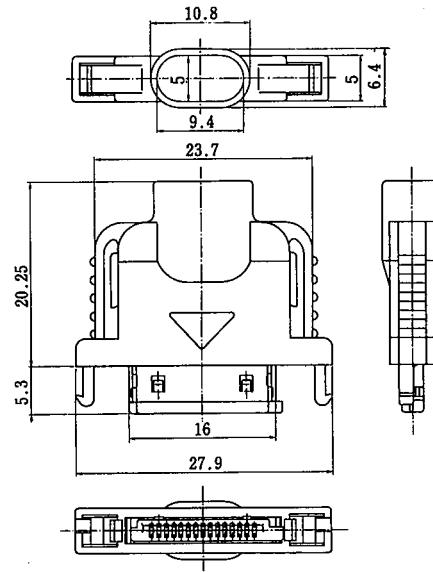


HRS No.	Number of pins	Product No.	Key type
CL232-0003-0-09	15	3230-15PA-C1(09)	A
CL232-0011-8-09	15	3230-15PB-C1(09)	B
CL232-0012-0-09	15	3230-15PC-C1(09)	C
CL232-0013-3-09	15	3230-15PD-C1(09)	D
CL232-0035-6-09	15	3230-15PE-C1(09)	E

■ PLUG CONNECTORS (TYPE C2 SYMMETRICAL COVER CASE)

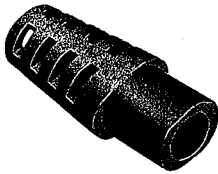


CL232-0030-2-08
3230A-15PA-C2(08)

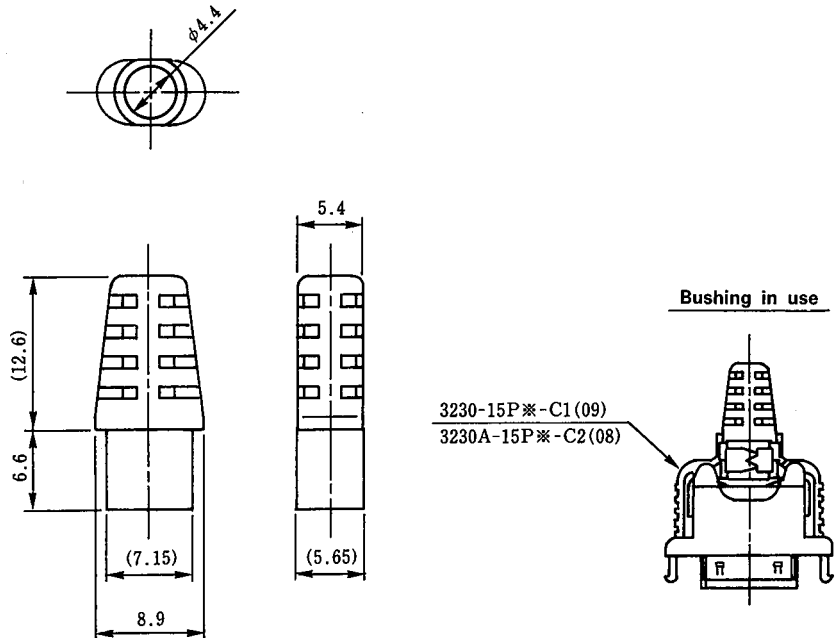


HRS No.	Number of pins	Product No.	Key type
CL232-0030-2-08	15	3230A-15PA-C2(08)	A
CL232-0031-5-08	15	3230A-15PB-C2(08)	B
CL232-0032-8-08	15	3230A-15PC-C2(08)	C
CL232-0033-0-08	15	3230A-15PD-C2(08)	D
CL232-0049-0-08	15	3230A-15PE-C2(08)	E

■ BUSHING FOR SMALL DIAMETER CABLE



CL232-0050-0
3200-15-BS(4.0)

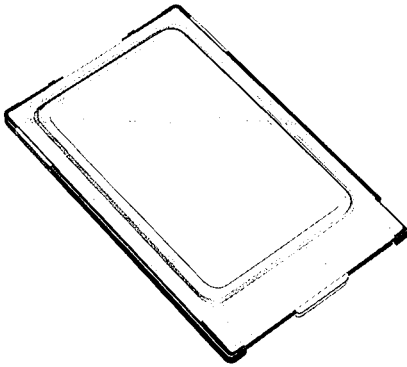
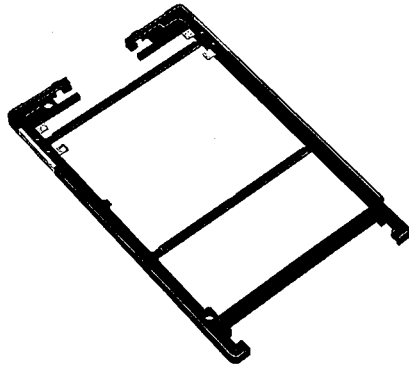


NOTE: Cable sheath diameters of approximately 3.7 mm to 4.2 mm should be taken as a guideline for use of the bushing.

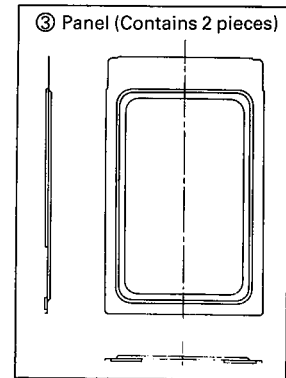
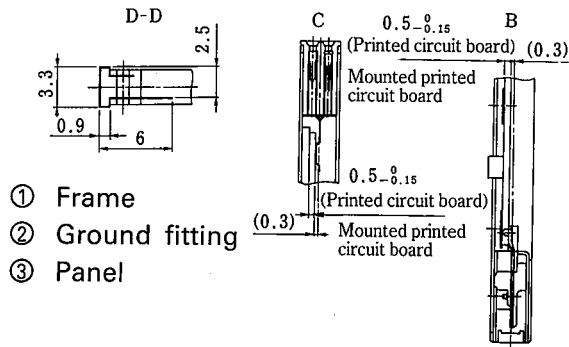
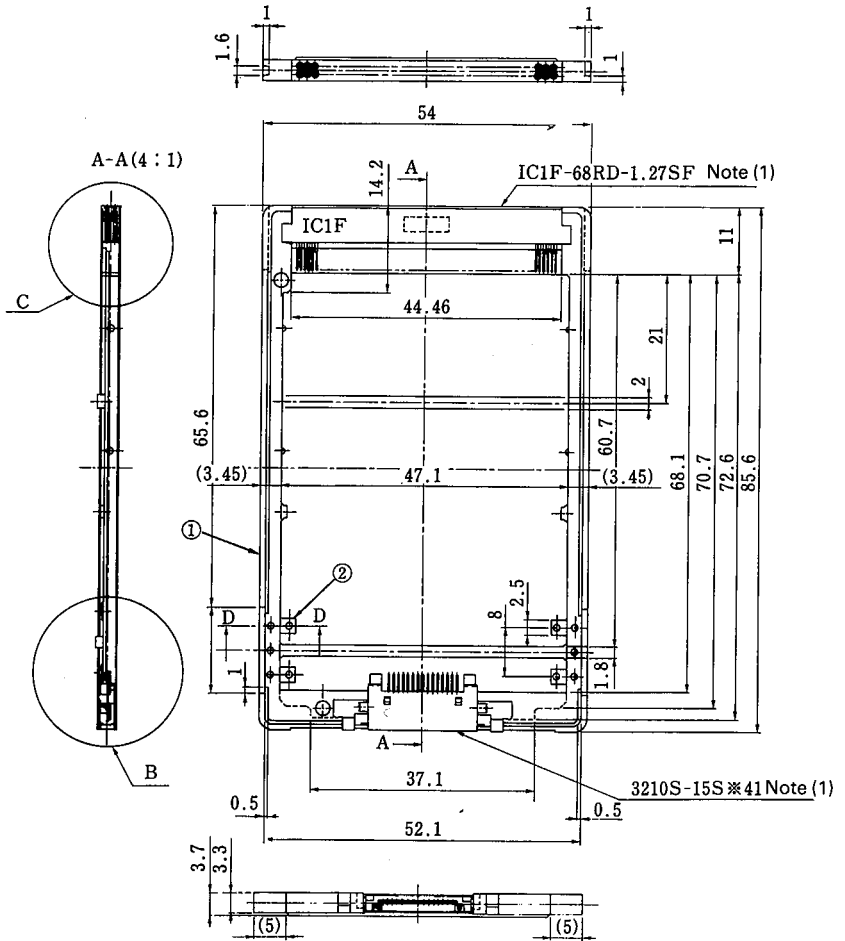
■ FRAME KIT FOR I/O CARDS

This frame kit has been developed for use with I/O cards and is equivalent to type II in accordance with JEIDA Ver. 4.1 and PCMCIA 2.01.

A back connector (3210S-15S*4) can be mounted to the rear portion of the card and an FG connector is also provided.



CL234-0015-1
NX-15S-KT3



- ① Frame
- ② Ground fitting
- ③ Panel

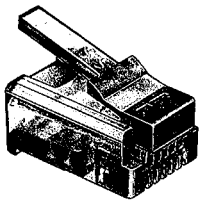
HRS No.	Product No.	Notes
CL234-0013-6	NX-15-F3	Frame only
CL234-0015-1	NX-15-KT3	With coil spring for frame, panel, and ground connections

NOTE 1: This diagram depicts the kit with the connector mounted. The connectors are sold as separate items.

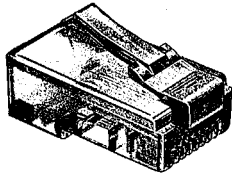
NOTE 2: The rear side of the panel comes with thermo-compression bond.

Applications for Connections of I/O Card Connectors

MODULAR PLUGS FOR ROUND CABLE (SUIT AWG #28)



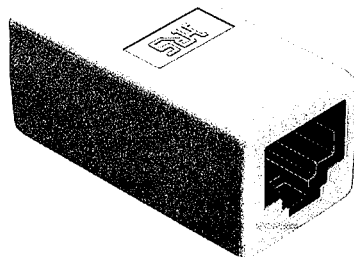
6 Pins



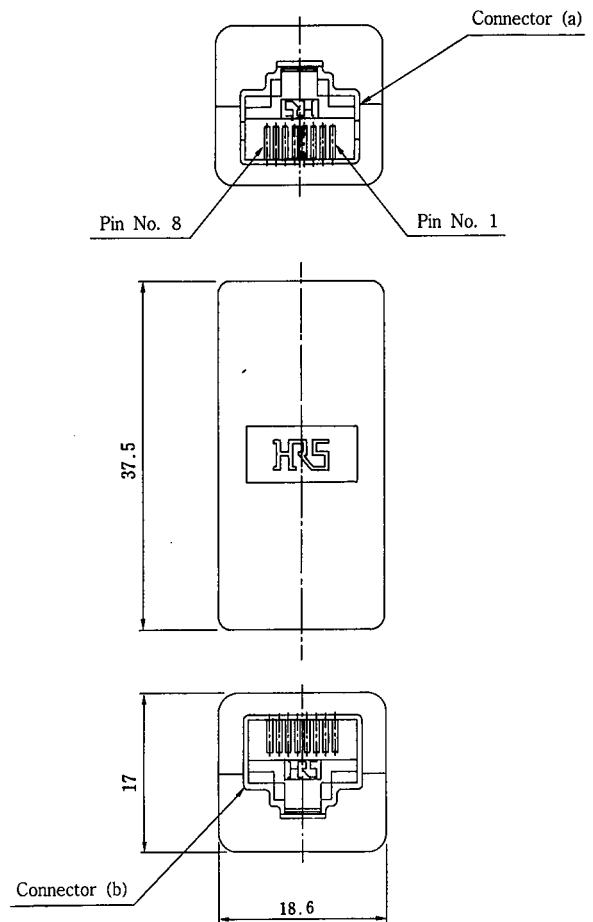
8 Pins

HRS No.	Number of pins	Product No.
CL222-2684-2	6	TM30P-66P
CL222-2685-5	8	TM30P-88P

8-PIN ADAPTER



CL222-3798-7
TM5RL-88-JJ



Lead Number Reference Table

Connector (a) pin number TM5RL-88	1	2	3	4	5	6	7	8
Connector (b) pin number TM5RL-88	1	2	3	4	5	6	7	8

◆ Suitable Cable

The connector at the plug side is of insulation displacement construction and the following types of cable are provided as a guideline.

Connector name	Conductors	Sheath
3230-15P※-C1	Outside diameter of insulation: 0.58 to 0.68 mm AWG 28	5.5 × 9.3 or smaller
3230A-15P※-C2	Outside diameter of insulation: 0.58 to 0.68 mm AWG 28	5 × 9.4 or smaller

◆ Harness Tool

Connector name	Process	Tool name	
3230-15P※-C1(09) 3230A-15P※-C2(08)	Manual wire arranging	3230-15SP (Wire arranging pallet) 3230-15CAT (Wire arranging jig)	
	Pressure welding disconnection	3230-15GP1	
	Clamp	3230-15CCT	Hi-Flex wiring press. HHP-502