

# JZX-18FF

## MINIATURE INTERMEDIATE POWER RELAY



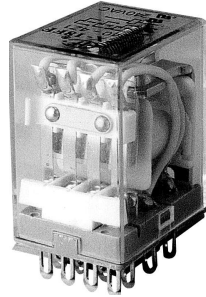
File No.:E133481



File No.:R9857429



File No.:CH0047993-2000



### Features

- 7A switching capabilities
- 2 to 4 pole configurations
- 1.5KV dielectric coil to contacts
- Various terminals ,test button available JZX-18FH
- Au-claded contact available
- Conform to the CE low voltage directive

### CONTACT DATA

Contact Arrangement	2C, 3C	4C		
Initial Contact Resistance Max.	50mΩ(1A 6VDC)			
Contact Material	Silver alloy			
Contact Rating (Res. Load)	5A, 7A/220VAC 30VDC	3A, 5A/220VAC 30VDC		
Max. switching voltage	250VAC/30VDC			
Max. switching current	5A 1100VA	7A 1540VA	3A 660VA	5A 1100VA
UL/CUR rating	Standard: 2C/3C: 5A 250VAC/30VDC 4C: 3A 250VAC/30VDC High Capacity: 2C/3C:7A 250VAC/30VDC 4C: 5A 250VAC/30VDC			
TÜV rating	2C: 5A 250VAC/30VDC 4C: 3A 250VAC/30VDC			
Mechanical life	2 x 10 <sup>7</sup> OPS			
Electrical life	High Capacity: 1 x 10 <sup>5</sup> OPS Standard: 2 x 10 <sup>5</sup> OPS			

### CHARACTERISTICS

Initial Insulation Resistance	1000MΩ, 500VAC	
Dielectric Strength	Between coil and Contacts	1500VAC 1min.
	Between open contacts	1000VAC 1min.
	Between contact sets	1500VAC 1min.
Operate time (at nomi. Volt.)	25ms	
Release time (at nomi. Volt.)	25ms	
Shock Resistance	Functional	100 m/s <sup>2</sup>
	Destructive	1000 m/s <sup>2</sup>
Vibration Resistance	1mm, 10 to 55Hz	
Humidity	98%RH, +40°C	
Ambient temperature	-55°C to +70°C	
Termination	PCB & Socket	
Unit weight	37g	
Construction	Dust Cover	

### COIL

Coil power	DC:0.9W AC:1.2VA
------------	------------------

### COIL DATA

Nominal Voltage VDC	Pick-up Voltage VDC	Drop-out Voltage VDC	Coil Resistance Ω
5	4.0	0.50	27.5 ± 10%
6	4.8	0.60	40 ± 10%
12	9.6	1.20	160 ± 10%
24	19.2	2.40	650 ± 10%
48	38.4	4.80	2600 ± 15%
110	88.0	11.0	11000 ± 15%

Nominal Voltage VAC	Pick-up Voltage VAC	Drop-out Voltage VAC	Coil Resistance Ω
6	4.80	1.80	11.5 ± 10%
12	9.60	3.60	46 ± 10%
24	19.2	7.20	184 ± 10%
48	38.4	14.4	735 ± 10%
120	96.0	36.0	4550 ± 15%
220/240	176.0	66.0	14400 ± 15%



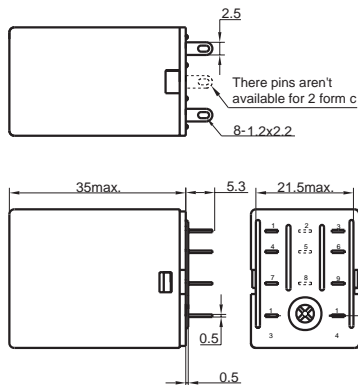
## ORDERING INFORMATION

Type	JZX-18FF / A 012 2Z 1 Q D
Coil Source	A: AC NIL: DC
Coil voltage	DC: 5 to 110VDC AC: 6 to 240VAC
Contact arrangement	2Z: 2Form C 3Z: 3Form C 4Z: 4Form C
Mounting Termination	1:Type 1(Socket); 2:Type 2 (PCB); 3/4/5:Type 3/4/5 Flange-Mounting ( See the Following )
Capacity	Q: High capacity NIL: Standard
LED	D: With LED NIL: Without LED

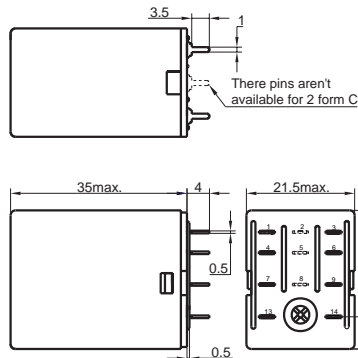
## OUTLINE DIMENSIONS, WIRING DIAGRAM AND PC BOARD LAYOUT

### Outline Dimensions

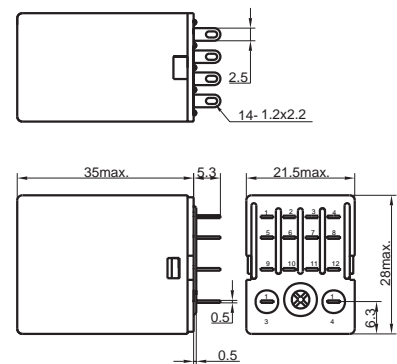
JZX-18FF/ -2Z1 /3Z1



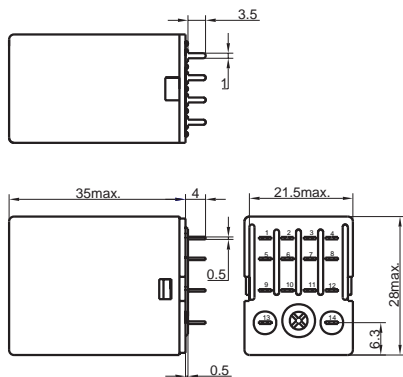
JZX-18FF/ -2Z2 /3Z2



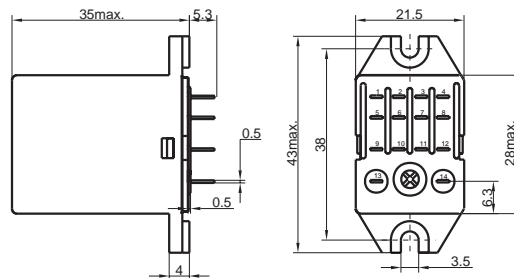
JZX-18FF/ -4Z1



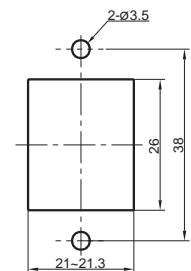
JZX-18FF/ -4Z2



JZX-18FF/ -4Z3

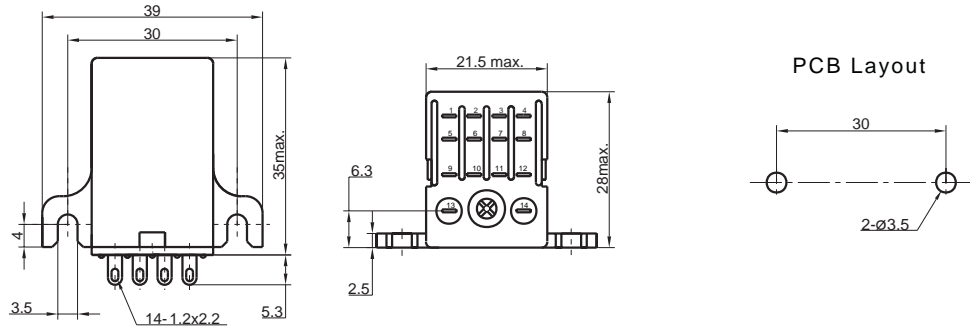


PCB layout

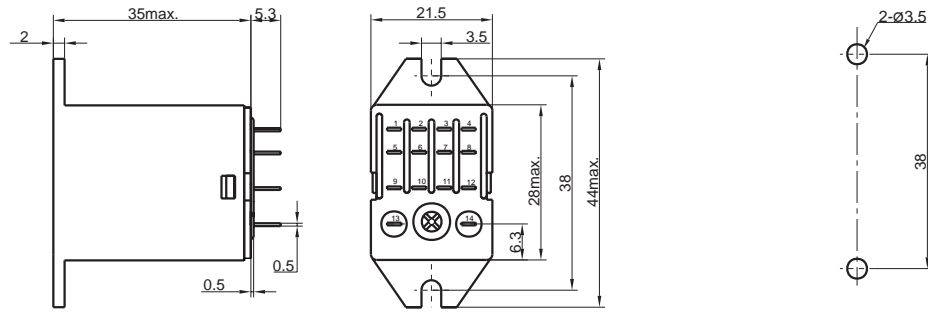


# OUTLINE DIMENSIONS, WIRING DIAGRAM AND PC BOARD LAYOUT

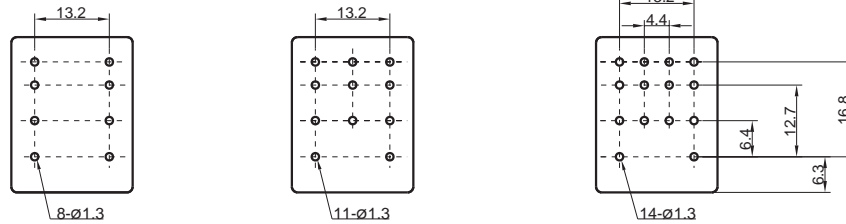
JZX-18FF/ - 4Z4



JZX-18FF/ - 4Z5



PCB Layout

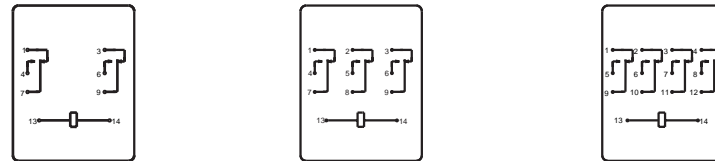


2C(DPDT)

3C(3PDT)

4C(4PDT)

Wiring Diagram



2C(DPDT)

3C(3PDT)

4C(4PDT)

## CHARACTERISTICS CURVE

