



Input voltage range up to 72 V DC  
 1, 2 or 3 outputs up to 30 V DC  
 1500 V DC I/O electric strength test voltage

- Low cost
- Short circuit protection
- Efficiency up to 82%

## Selection chart

Output 1		Output 2		Output 3		Type	Type	Type
$U_{o\ nom}$	$I_{o\ nom}$	$U_{o\ nom}$	$I_{o\ nom}$	$U_{o\ nom}$	$I_{o\ nom}$	Input voltage	Input voltage	Input voltage
[V DC]	[A]	[V DC]	[A]	[V DC]	[A]	9...18 V DC	18...36 V DC	36...72 V DC
3.3	6.5	-	-	-	-	12 IMR 25-03-2	24 IMR 25-03-2	48 IMR 25-03-2
3.3	10	-	-	-	-	12 IMR 40-03-2	24 IMR 40-03-2	48 IMR 40-03-2
5	5	-	-	-	-	12 IMR 25-05-2	24 IMR 25-05-2	48 IMR 25-05-2
5	8	-	-	-	-	12 IMR 40-05-2	24 IMR 40-05-2	48 IMR 40-05-2
12	2.1	-	-	-	-	12 IMR 25-12-2	24 IMR 25-12-2	48 IMR 25-12-2
12	3.5	-	-	-	-	12 IMR 40-12-2	24 IMR 40-12-2	48 IMR 40-12-2
15	1.7	-	-	-	-	12 IMR 25-15-2	24 IMR 25-15-2	48 IMR 25-15-2
15	3	-	-	-	-	12 IMR 40-15-2	24 IMR 40-15-2	48 IMR 40-15-2
24	2	-	-	-	-	12 IMR 40-24-2	24 IMR 40-24-2	48 IMR 40-24-2
+5	4.7	-5	0.3	-	-	12 IMR 25-0505-2	24 IMR 25-0505-2	48 IMR 25-0505-2
+5	8	-5	0.5	-	-	12 IMR 40-0505-2	24 IMR 40-0505-2	48 IMR 40-0505-2
+12	1.8	-12	0.3	-	-	12 IMR 25-1212-2	24 IMR 25-1212-2	48 IMR 25-1212-2
+12	3	-12	0.5	-	-	12 IMR 40-1212-2	24 IMR 40-1212-2	48 IMR 40-1212-2
+15	1.4	-15	0.3	-	-	12 IMR 25-1515-2	24 IMR 25-1515-2	48 IMR 25-1515-2
+15	2	-15	0.5	-	-	12 IMR 40-1515-2	24 IMR 40-1515-2	48 IMR 40-1515-2
+5	4	+12	0.3	-12	0.3	12 IMR 25-051212-2	24 IMR 25-051212-2	48 IMR 25-051212-2
+5	6	+12	0.5	-12	0.5	12 IMR 40-051212-2	24 IMR 40-051212-2	48 IMR 40-051212-2
+5	3.5	+15	0.3	-15	0.3	12 IMR 25-051515-2	24 IMR 25-051515-2	48 IMR 25-051515-2
+5	6	+15	0.5	-15	0.5	12 IMR 40-051515-2	24 IMR 40-051515-2	48 IMR 40-051515-2
+5	12	-5	0.5	+12	0.5	-	24 IMR 40-050512-2	48 IMR 40-050512-2

**Input**

Input voltage	continuous range, 12 V	9...18 V DC
	continuous range, 24 V	18...36 V DC
	continuous range, 48 V	36...72 V DC
Reverse voltage protection	shunt diode	

**Output**

Output voltage setting accuracy	$U_{i\text{ nom}}, I_{o\text{ nom}}$	$\pm 2\% U_{o\text{ nom}}$
Minimum load	recommended	$20\% I_{o\text{ nom}}$
Line regulation	$U_{i\text{ min}} \dots U_{i\text{ max}}, I_{o\text{ nom}}$	$\pm 1\% U_{o\text{ nom}}$
Load regulation	$U_{i\text{ nom}}, 0 \dots 100\% I_{o\text{ nom}}$ , single output models	$\pm 2\% U_{o\text{ nom}}$
	dual and triple output models (tracking)	$5\% U_{o\text{ nom}}$
Output voltage switching noise	$U_{i\text{ nom}}, 20 \dots 100 I_{o\text{ nom}}$ , peak-peak, total	max. $2\% U_{o\text{ nom}}$

**Control and protection**

Overload protection	$U_{i\text{ min}}$ , full load	$125\% P_{i\text{ nom}}$
No-load protection		

**Safety and EMC**

Electric strength test voltage	I/O	1500 V DC
Electromagnetic interference	conducted with external filter	class B

**Environmental**

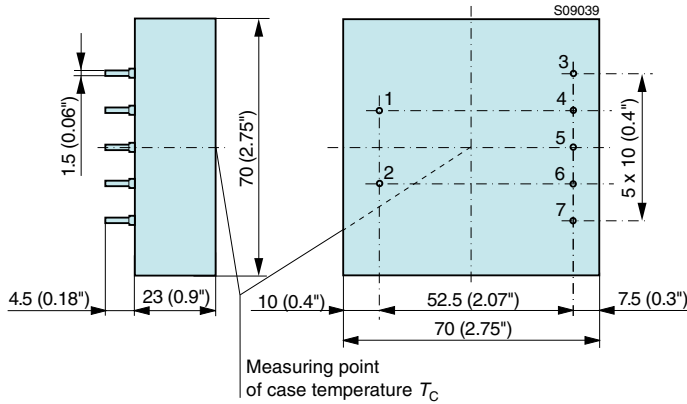
Operating ambient temperature	$U_{i\text{ nom}}, I_{o\text{ nom}}$	$-10 \dots 50^\circ\text{C}$
Storage temperature	non operational	$-25 \dots 85^\circ\text{C}$
Relative humidity	non condensing	95%
MTBF	MIL-HDBK-217F, N2	2'000'000 h

**Mechanical data**

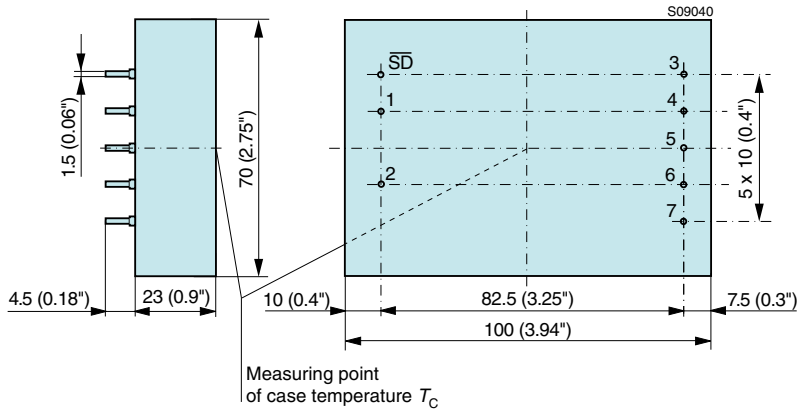
Tolerances  $\pm 0.3$  mm (0.012") unless otherwise indicated.



**IMR 25 single and dual outputs units**



**IMR 25 triple output units and IMR 40**



**Pin allocation**

Pin	Single output	Dual output	Triple output
1	Vi+	Vi+	Vi+
2	Vi-	Vi-	Vi-
3	Vo+	Vo+	Vo1+
4	Vo+	Vo+	COM
5	Vo-	COM	Vo2+
6	Vo-	COM	COM
7	n.c.	Vo-	Vo3-