

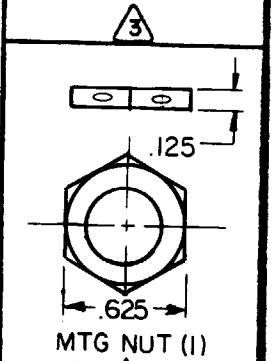
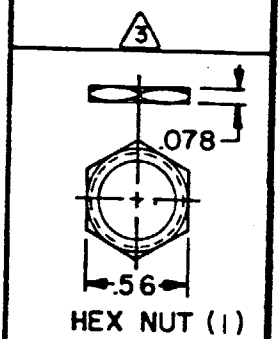
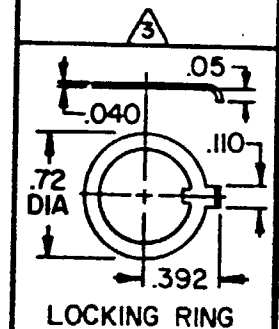
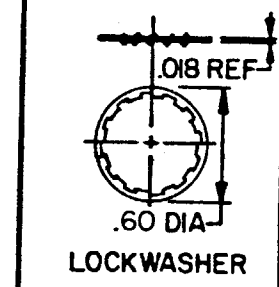
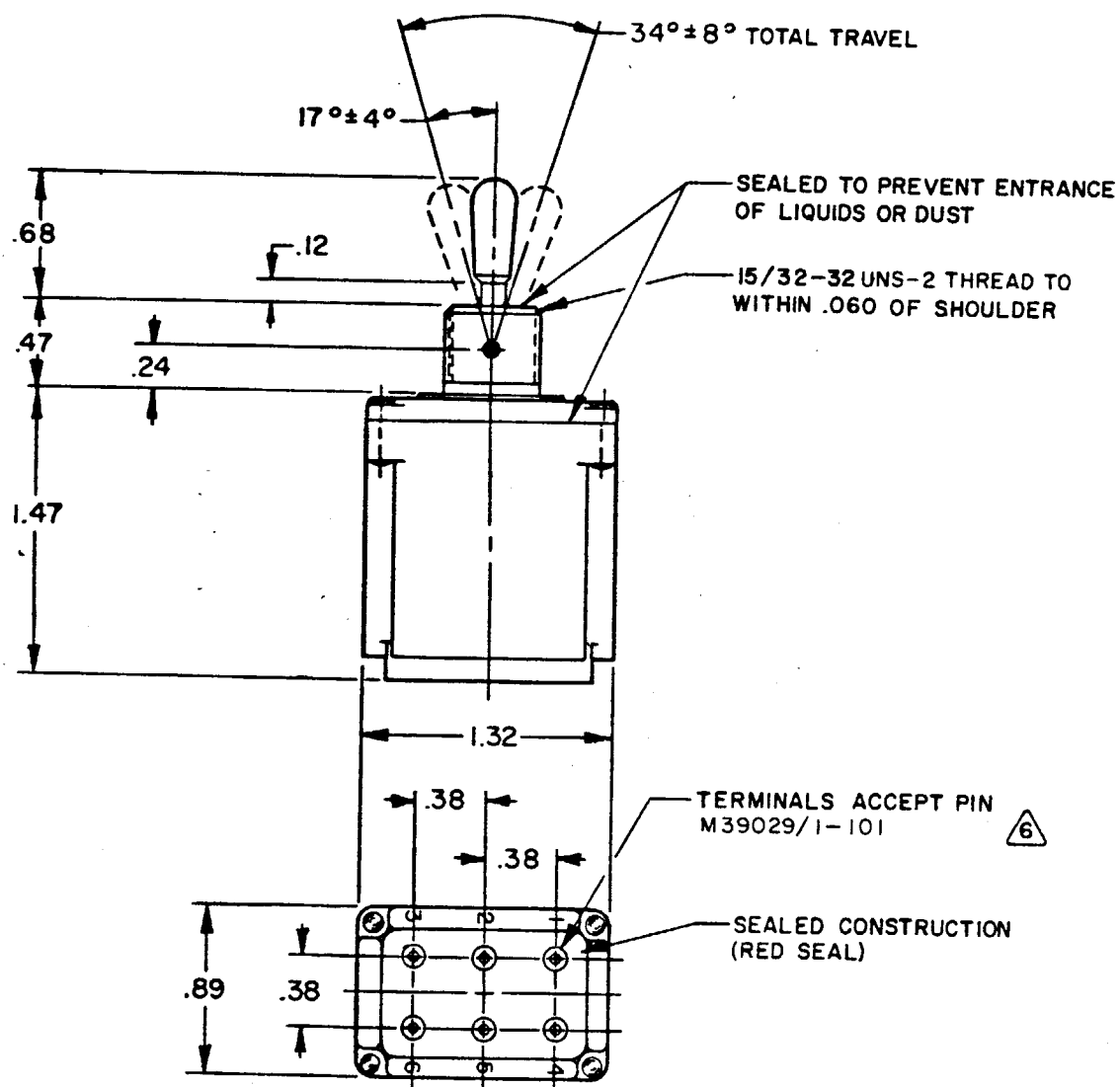
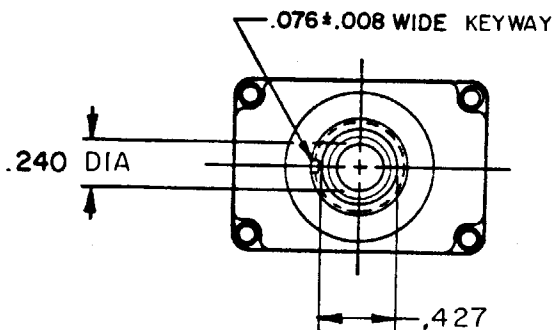
MICRO SWITCH
 FREEPORT, ILLINOIS, U.S.A.
 A DIVISION OF HONEYWELL
 FED. MFG. CODE 91929

SWITCH-TOGGLE

CATALOG LISTING
102TL2264 SERIES
CHART 1

THIS DRAWING COVERS A PROPRIETARY ITEM AND IS THE PROPERTY OF MICRO SWITCH, A DIVISION OF HONEYWELL. THIS DRAWING IS NOT TO BE COPIED OR USED WITHOUT THE APPROVAL OF MICRO SWITCH.

CATALOG LISTING	CIRCUIT MADE WITH TOGGLE LEVER IN			(AMPS)									
	KEYWAY SIDE (1-2,4-5)	CENTER (1-2,4-5)	OPPOSITE KEYWAY (2-3,5-6)	RESISTIVE LOAD DC VOLTS			LAMP LOAD AC VOLTS		INDUCTIVE LOAD AC VOLTS				
				28	125	250	125	250	28 VDC	125 VAC	28 VDC	125 VAC	
102TL2264-1	ON	OFF	ON										
102TL2264-2	OFF	NONE	ON										
102TL2264-3	ON	NONE	ON	7.5	.75	.5	7.5	6	7	4	7.5	7.5	
102TL2264-21	NONE	OFF	ON										
102TL2264-31	NONE	ON	ON										
102TL2264-4	MOM OFF	NONE	ON										
102TL2264-5	MOM ON	OFF	ON										
102TL2264-6	MOM ON	NONE	OFF										
102TL2264-7	MOM ON	OFF	MOM ON	7.5	.75	.5	7.5	6	5	2	7.5	7.5	
102TL2264-8	MOM ON	NONE	ON										
102TL2264-51	NONE	ON	MOM ON										
102TL2264-61	MOM ON	OFF	NONE										



NOTES

- 1 - SWITCHES ARE CAPABLE OF WITHSTANDING A TEMPERATURE OF 160°F CONTINUOUSLY AT FULL RATED LOAD
- 2 - CIRCUIT DESIGNATION, AND MICRO SWITCH CATALOG LISTING STAMPED ON SIDE OF SWITCH
- ③ FURNISHED UNASSEMBLED
- 4 - UNUSED TERMINAL HOLES MAY BE SEALED WITH PLUGS M83723/28-20
- ⑤ APPLIES ONLY TO "ON" AND "MOMENTARY ON" POSITIONS
- ⑥ THE SEALING GROMMET SHALL SEAL ON A SMOOTH WIRE INSULATION OF .040 TO .083 DIAMETERS (16-20 GAGE)

M 102TL2264 SERIES
CHART 1
 RELEASE NO. PR-16902 REPLACES

DRAWING NUMBER
X 2
 ISSUE

REVISIONS
 A C065113
 TSK
 16 FEB 89

CHECK
 14 NOV 88
 TSK
 10 NOV 88
 BGS
 DRAWN

SCALE FULL
 DO NOT SCALE PRINT
 UNLESS OTHERWISE NOTED
 DIMENSIONS ARE IN INCHES
TOLERANCES ARE:
 ONE PLACE (.0) H .030
 TWO PLACE (.00) H .015
 THREE PLACE (.000) H .005
 ANGLES H .005
 WEIGHT .119 LBS MAX