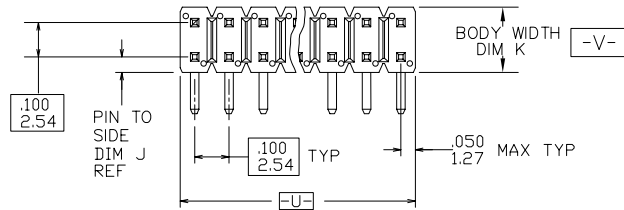


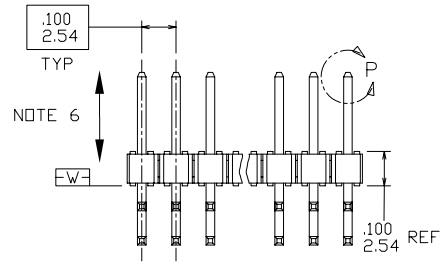
PRODUCT NUMBER

XXXXX-YYYHTLF

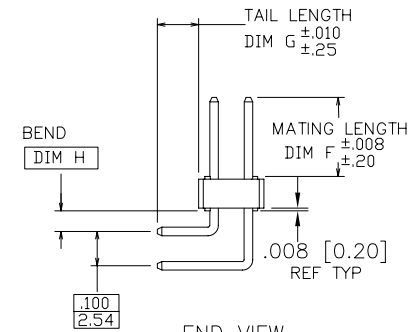
- LEAD FREE OPTION
SEE NOTE 1,11
- TUBE PACKAGING OPTION
SEE NOTE 1
- HIGH TEMPERATURE PLASTIC
SEE NOTE 1
- NO OF POSITIONS
SEE NOTE 1
- PIN PLATING
SEE SHEET 2
- BASE PART NO.



TOP VIEW

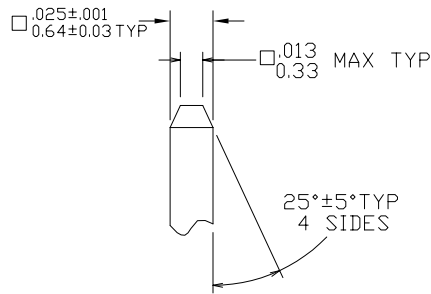


SIDE VIEW



END VIEW

⊕ ∅ .020/.51 (M) U (M) V (S) W
NOTE 4



DETAIL P
TYP BOTH ENDS

mat'l. code NOTES 2 & 3		surface ISO 1302 ✓		tolerance ISO 406 ISO 1101		projection INCH/MM		product family BERGSTIK	
ltr		ecn no		dr		date		title	
AA	v71402	HTB	9/29/97	angles	linear	.xx±.01/0.3		BERGSTIK® II HEADER	
AB	v20801	GIP	4/29/02			.xxx±.005/0.13		.100 DR R/A SELF-RET	
AC	M04-0234	MHT	12/29/04	0'±2'		.xxx±.0020/0.05		scale 2:1	
AD	M05-0072	MHT	5/03/05	dr	D. WITTING	4/08/93		dwg no	
AE	M06-0269	MNR	7/17/06	enr	T. HANNA	4/08/93		sheet 1 of 4 size	
AF	M06-0346	MHT	9/04/06	chr	T. HANNA	4/08/93		69193 A3	
sheet index		revision		AF		AF		type Product Customer Drawing	
		sheet		1		2			
				3		4			

PIN PLATING CODES:	
XXXX-1YY	30u"/0.76u MIN (SEE NOTE 12) OVER 50u"/1.27u MIN Ni
XXXX-2YY	15u"/0.38u MIN (SEE NOTE 12) OVER 50u"/1.27u MIN Ni
XXXX-3YY	50u"/1.27u MIN Au OVER 50u"/1.27u MIN Ni
XXXX-4YY	100u"/2.54u MIN Sn OVER 50u"/1.27u MIN Ni (SEE NOTE 13)
XXXX-4YYHLF	
XXXX-5YY	15u"/0.38u MIN (SEE NOTE 12) OVER 50u"/1.27u MIN Ni
XXXX-6YY	30u"/0.76u MIN (SEE NOTE 12) OVER 50u"/1.27u MIN Ni
XXXX-7YY	30u"/0.76u MIN Au OVER 50u"/1.27u MIN Ni
XXXX-8YY	15u"/0.38u MIN Au OVER 50u"/1.27u MIN Ni
XXXX-9YY	15u"/0.38u MIN GXT OVER 50u"/1.27u MIN Ni
XXXX-0YY	30u"/0.76u MIN GXT OVER 50u"/1.27u MIN Ni

NOTES

1. PART NUMBER OPTIONS:

PIN PLATING CODES (SEE ABOVE)

HIGH TEMP. MATERIAL:

FOR HIGH-TEMPERATURE APPLICATIONS, SPECIFY AN "H" AT THE END OF THE PART NUMBER, AND PCT WILL BE SUPPLIED.

NUMBER OF POSITION:

ANY NUMBER OF POSITIONS FROM 2 (2X1) THRU 72 (2X36).

PACKAGING:

PACKAGED IN POLY BAGS.

EIGHT DIGIT PART NUMBERS FOLLOWED BY A "T" ARE PACKAGED IN TUBES. SEE SPECIFIC PART NUMBERS FOR AVAILABILITY.

LEAD FREE:

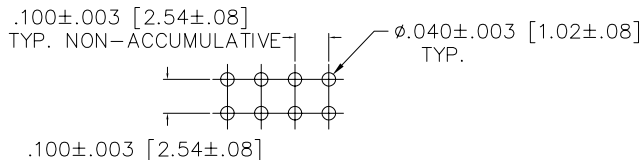
ADD "HLF" SUFFIX AT THE END OF PART NUMBER FOR LEAD FREE OPTION, NOT AVAILABLE FOR -5YY,-5YYH,-6YY & -6YYH.

2. BODY MATERIAL:

MANUFACTURER'S OPTION OF NYLON OR PCT, GLASS FIBER REINFORCED, FLAME RETARDENT PER UL-94V-0. COLOR: BLACK.

PART NUMBERS WITH "H" SUFFIX WILL WITHSTAND EXPOSURE TO 260°C PEAK TEMPERATURE FOR 20 SECONDS IN WAVE SOLDER, INFRA-RED OR VAPOR PHASE SOLDER PROCESS.

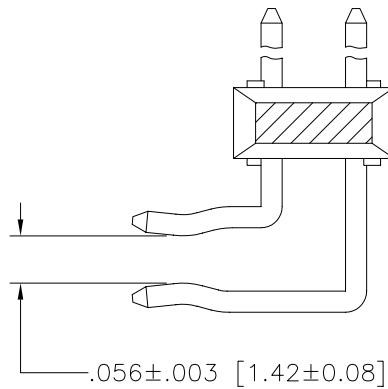
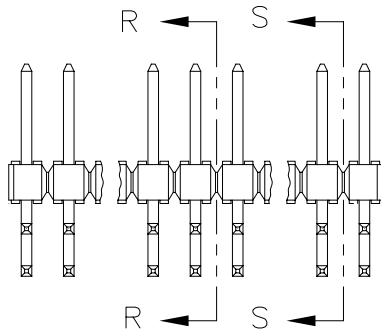
PART NUMBERS WITHOUT "H" SUFFIX WILL WITHSTAND EXPOSURE TO 260°C PEAK TEMPERATURE FOR WAVE SOLDER PROCESS.



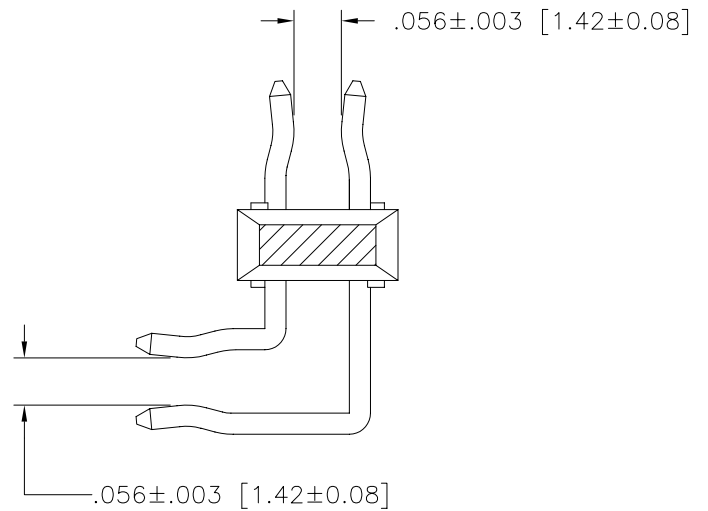
RECOMMENDED HOLE PATTERN

- 3. PIN MATERIAL: PHOS-BRONZE.
- 4. MEASURED WITH PART IN RESTRAINED CONDITION.
- 5. TWO SIDES OF PIN TIPS NOT PLATED. TYPICAL BOTH ENDS.
- 6. 2LBS/0.9KG MIN PIN RETENTION IN EITHER DIRECTION.
- 7. ±.010/0.25 TOL. APPLIES TO ALL "G" TAILS EXCEPT INDICATED PARTS ON TABLE WHERE +.010/0.25,-.000/0.00 APPLIES.
- 8. SECTION R-R DIMENSIONS APPLY SPECIFIED ENDS OF RETENTION PIN POSITIONS ONLY. SEE PRODUCT PART NUMBER FOR SINGLE OR DUAL SIDE RETENTION LOCATED AT MANUFACTURES OPTION.
- 9. SECTION S-S DIMENSIONS APPLY TO DUAL RETENTION PIN POSITIONS ONLY, SEE PRODUCT PART NUMBER FOR SINGLE OR DUAL SIDE RETENTION. LOCATED AT MANUFACTURES OPTION.
- 10. 5LB/2.3KG MAX INSERTION FORCE AND .25LB/.1KG MIN RETENTION FORCE PER RETENTIVE PIN USING .062/1.57 THICK CIRCUIT BOARDS AND RECOMMENDED HOLE PATTERN.
- 11. THESE PRODUCTS MEETS EUROPEAN UNION DIRECTIVES AND OTHER COUNTRY REGULATION AS DESCRIBED IN GS-22-008.
- 12. PLATING OPTIONS: MAY BE EITHER GOLD OR GXT PLATED AT MANUFACTURER'S OPTION.
- 13. "THIS PRODUCT HAS 100% TIN PLATING IN THE INTERFACE AND HAS NOT BEEN TESTED FOR WHISKER GROWTH IN ALL INTERCONNECT ENVIRONMENTS."

mat'l. code		surface		tolerance		projection		product family	
NOTES 2 & 3		ISO 1302 ✓		ISO 406		ISO 1101		BERGSTIK	
ltr		ecn		no		dr		date	
AF									
angles		linear		.XX±.01/0.3		INCH/MM		title	
				.XXX±.005/0.13		scale 2:1		BERGSTIK® II HEADER	
				.XXX±.0020/0.05				.100 DR R/A SELF-RET	
dr		D. WITHING		4/08/93		FCI		dwg no	
enr		T. HANNA		4/08/93				sheet 2 of 4 size	
chr		T. HANNA		4/08/93				69193	
appd		T. HANNA		4/08/93				A3	
sheet		revision						type	
index		sheet						Product Customer Drawing	



SECTION R-R
NOTE 8



SECTION S-S
NOTE 9

mat'l. code NOTES 2 & 3		surface ISO 1302 ✓	tolerance ISO 406 ISO 1101	projection 	product family BERGSTIK
ltr	ecn	no	dr	date	tolerances unless otherwise specified
AF					angles linear 0°±2'
					.XX±.01/0.3 .xxx±.005/0.13 .xxxx±.0020/0.051
					INCH/MM scale 2:1
					dr D. WITHING 4/08/93
					enr T. HANNA 4/08/93
					chr T. HANNA 4/08/93
					appd T. HANNA 4/08/93
sheet index	revision sheet				

title
BERGSTIK® II HEADER
.100 DR R/A SELF-RET

dwg no
69193

sheet 3 of 4 size
A3

type
Product Customer Drawing



FCIconnect.com

Copyright FCI

PRODUCT NUMBER	1 MATING LENGTH		TAIL LENGTH		2 3 BEND DIM.		PIN TO SIDE		4 BODY WIDTH		5		LF OPTION	6
	DIM F	DIM F	DIM G	DIM G	DIM H	DIM H	DIM J	DIM J	DIM K	DIM K	RETENTION	LOCATION		
	ENGLISH	METRIC	ENGLISH	METRIC	ENGLISH	METRIC	ENGLISH	METRIC	ENGLISH	METRIC				
69193-YYY	0.230	5.84	0.120	3.05	0.060	1.52	0.045	1.14	0.190	4.83	G TAIL	POLY BAGS	-	NOTE 1,11
78253-YYY	N O T A V A I L A B L E													
78276-YYY	0.318	8.08	0.120	3.05	0.060	1.52	0.070	1.78	0.240	6.10	G TAIL	POLY BAGS/TUBES	-	
78299-YYY	0.230	5.84	0.120	3.05	0.060	1.52	0.070	1.78	0.240	6.10	G TAIL	POLY BAGS/TUBES	-	
86381-YYY	0.250	6.35	0.120	3.05	0.060	1.52	0.070	1.78	0.240	6.10	G TAIL	POLY BAGS	-	
87227-YYY	0.318	8.08	0.120	3.05	0.060	1.52	0.045	1.14	0.190	4.83	G TAIL	POLY BAGS	-	
87801-YYY	N O T A V A I L A B L E													
87845-YYY	0.230	5.84	0.085	2.16	0.060	1.52	0.070	1.78	0.240	6.10	G TAIL	POLY BAGS/TUBES	7	
90305-YYY	0.165	4.19	0.120	3.05	0.060	1.52	0.070	1.78	0.240	6.10	G TAIL	POLY BAGS/TUBES	7	
93150-YYY	0.275	6.99	0.120	3.05	0.060	1.52	0.045	1.14	0.190	4.83	G TAIL	POLY BAGS	-	
93240-YYY	0.338	8.59	0.120	3.05	0.060	1.52	0.070	1.78	0.240	6.10	G TAIL	POLY BAGS	-	
94048-YYYH	0.380	9.65	0.120	3.05	0.060	1.52	0.070	1.78	0.240	6.10	G TAIL	POLY BAGS	-	NOTE 1,11



Copyright FCJ

mat'l. code		surface		tolerance		projection		product family	
NOTES 2 & 3		ISO 1302 ✓		ISO 406 ISO 1101				BERGSTIK	
ltr	ecn	no	dr	date		tolerances unless otherwise specified		title	
AF						.xx±.01/0.3 .xxx±.005/0.13 .xxxx±.0020/0.051		BERGSTIK® II HEADER .100 DR R/A SELF-RET	
				0'±2'		INCH/MM scale 2:1		dwg no sheet 4 of 4 size	
				dr	D. WITHING	4/08/93			
				enr	T. HANNA	4/08/93		69193 A3	
				chr	T. HANNA	4/08/93		type Product Customer Drawing	
				appd	T. HANNA	4/08/93			
sheet index	revision sheet								

form: A3 1 2 3 4 5 6