

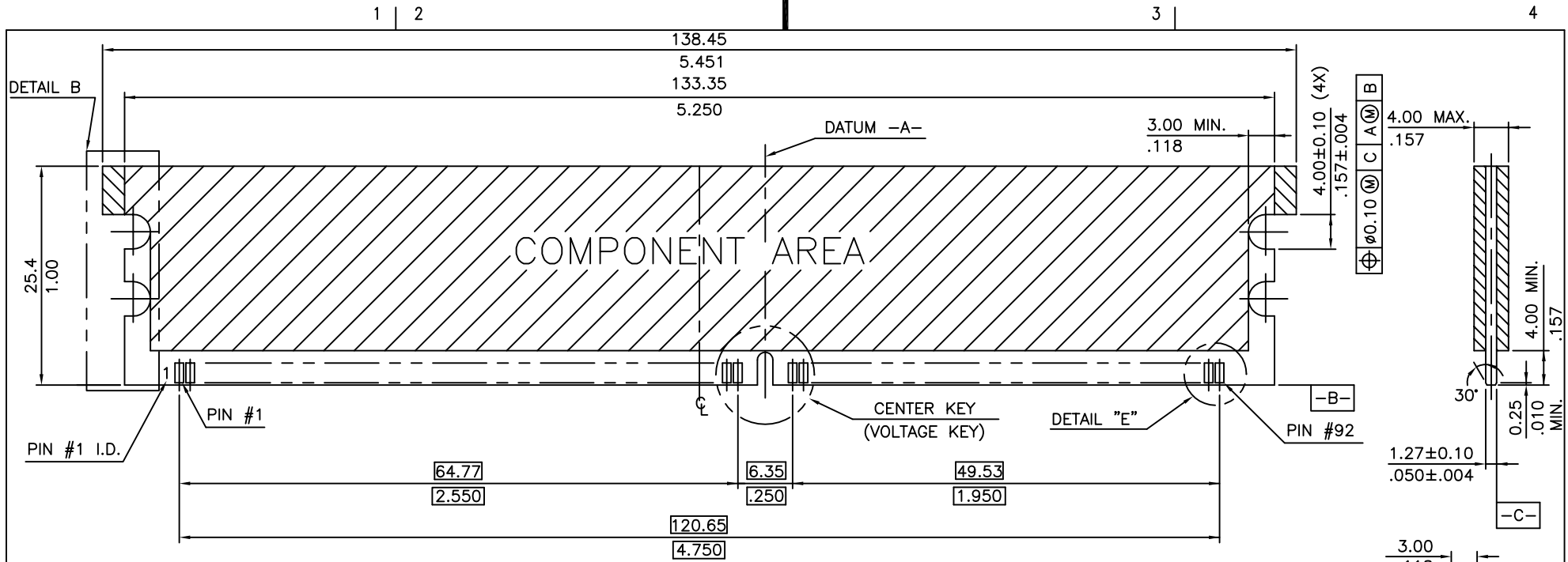
NOTE:

- 1. MATERIAL:
HOUSING: NYLON 66 OR APPROVED EQUIVALENT, GLASS FILLED UL94V-0 RATED, COLOR BLACK.
EJECTOR: NYLON 66 OR APPROVED EQUIVALENT, GLASS FILLED UL94V-0 RATED, COLOR NATURAL.
TERMINAL: COPPER ALLOY.
- 2. FCI LOGO TO BE APPROXIMATELY LOCATED AS SHOWN ON PRINT.
- 3. PRODUCT SPECIFICATION: GS-12-146
- 4. THE DATE CODE IS SHOWN "MM-DD-YY" FOR CUSTOMER SPECIAL REQUEST.
- 5. THIS PRODUCT MEETS EUROPEAN UNION DIRECTIVES AND OTHER COUNTRY REGULATIONS AS DESCRIBED IN GS-22-008.
- 6. THE HOUSING WILL WITH STAND EXPOSURE TO 260° PEAK TEMPERATURE FOR 10 SECONDS IN A WAVE SOLDER APPLICATION.

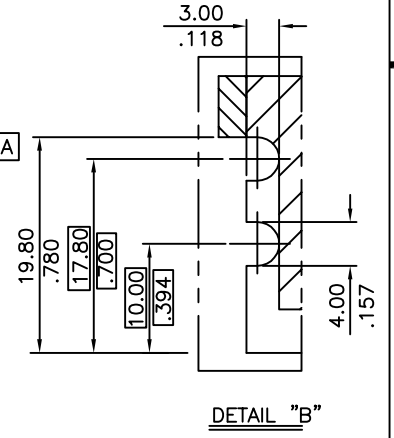
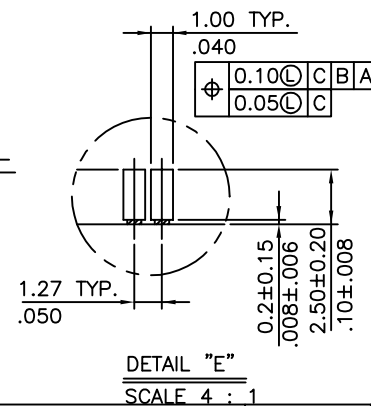
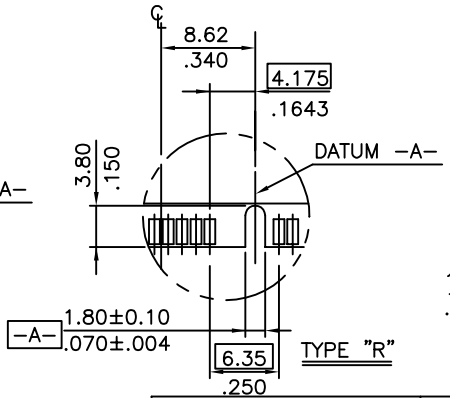
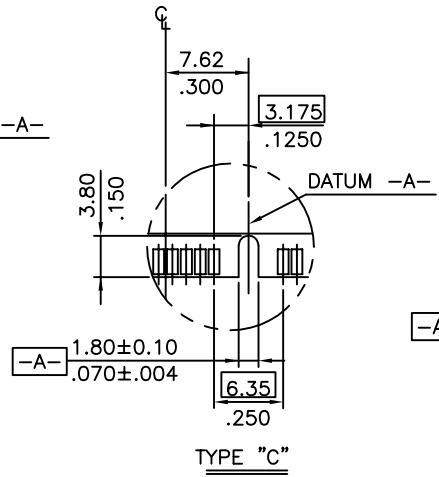
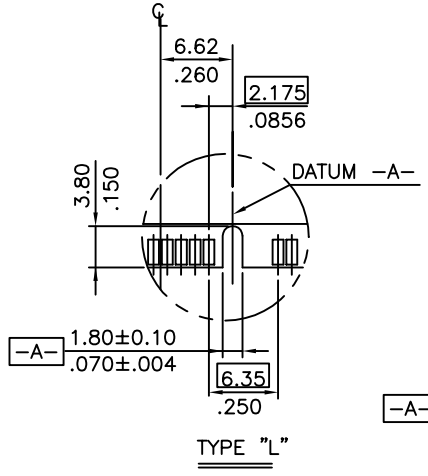
mat'l. code		tolerances unless otherwise specified		CUSTOMER COPY	FCI		www.fciconnect.com
ltr	ecn no	dr	date	linear	.X ± 0.38/.015	projection	title
A	T20297	M W	10/04/02		.XX ± 0.25/.010	MM	DDR 184P .050" 1-ROW, V/T ASS'Y PLASTIC POST
B	T03-0179	M W	05/16/03		.XXX ± 0.15/.005		
C	T03-0435	M W	10/01/03	angles	0° ± 2'	scale	product family
D	pg05-0466	K W	11/15/05	dr	MAGGIE WU 04/12/02	1:1	DDR
				enr	JEFF.HSIEH 04/12/02	A4	code
				chr	JEFF.HSIEH 04/12/02		size
				appd	JENN TSAO 04/12/02		dwg no
sheet	revision	D	A				10002394
index	sheet	1	2	3			TWN
							sheet
							1 of 3

Tous droits strictement reserves. Reproduction ou communication a des tiers interdite sous quelque forme que ce soit sans autorisation ecrite du propriétaire. Propriete de c FCI. Droits de reproduction FCI.

All rights strictly reserved. Reproduction or issue to third parties in any form whatever is not permitted without written authority from the proprietor. Property of FCI. Copyright FCI.



RECOMMENDED MODULE LAYOUT

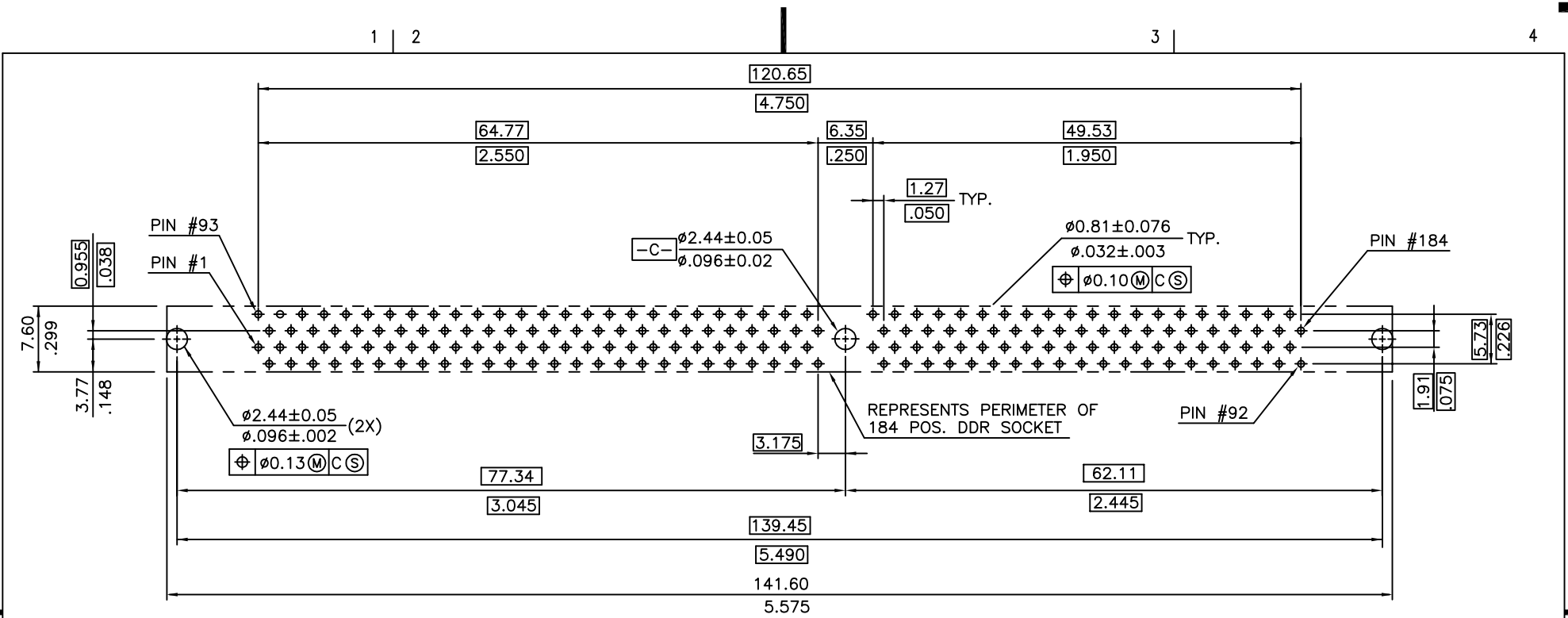


TYPE "R"	3.3 VOLT.
TYPE "L"	2.5 VOLT.
TYPE "C"	1.8 VOLT.
CENTER KEY	DESCRIPTION

mat'l. code		tolerances unless otherwise specified		CUSTOMER COPY		FCI		www.fciconnect.com	
ltr	ecn no	dr	date	linear	.X ±0.38/.015	projection	title		
A				angles	.XX ±0.25/.010		DDR 184P .050" 1-ROW, V/T ASS'Y PLASTIC POST		
					.XXX ±0.15/.005		product family	DDR	code
				dr	0° ±2'	MM	size	dwg no	TWN
				enr	MAGGIE WU 04/12/02	scale	10002394		sheet
				chr	JEFF.HSIEH 04/12/02	1.5:1	2 of		
				appd	JENN TSAO 04/12/02	A4	cage code		
sheet index	revision sheet						526		

Tous droits strictement réservés. Reproduction ou communication a des tiers interdite sous quelque forme que ce soit sans autorisation écrite du propriétaire. Propriete de c FCI. Droits de reproduction FCI.

All rights strictly reserved. Reproduction or issue to third parties in any form whatever is not permitted without written authority from the proprietor. Property of FCI. Copyright FCI.



DDR ASSEMBLY PART NUMBER
10002394 - □ □ □ □

RECOMMENDED CIRCUIT BOARD HOLE LAYOUT

STYLE

1 : FOR 3.3 VOLT.
2 : FOR 2.5 VOLT.
3 : FOR 1.8 VOLT.

RESERVED

0

PLATING

CODE	CONTACT	SOLDERTAIL	UNDERPLATE	CODE	CONTACT	SOLDERTAIL	UNDERPLATE
2	15µ"(0.38µm) MIN. GOLD			7LF	15µ"(0.38µm) MIN. GOLD		
3	30µ"(0.76µm) MIN. GOLD	100µ"(2.54µm) MIN. TIN/LEAD	50µ" (1.27µm) MIN. NICKEL OVERALL	8LF	30µ"(0.76µm) MIN. GOLD	100µ"(2.54µm) MIN. 100% TIN	50µ" (1.27µm) MIN. NICKEL OVERALL
4	1µ"MIN.GOLD FLASH			9LF	1µ"MIN.GOLD FLASH		

TAIL LENGTH

CODE	DIM. "B"	TOLERANCE
1	2.29 .090	±0.25 ±.01
2	2.79 .110	±0.25 ±.01
3	2.67 .105	±0.25 ±.01
4	3.05 .120	±0.25 ±.01

COLOR OF HOUSING AND EJECTOR

0 : BLACK HOUSING + IVORY EJECTOR

mat'l. code				tolerances unless otherwise specified				CUSTOMER COPY		 www.fciconnect.com	
ltr	ecn no	dr	date	linear	.X ±0.38/.015			projection	title		
B					.XX ±0.25/.010				DDR 184P .050" 1-ROW, V/T ASS'Y PLASTIC POST		
					.XXX ±0.15/.005				product family DDR code TWN		
				angles	0° ±2'			 MM scale 1.5:1	size		sheet 3 of
				dr	MAGGIE WU	04/12/02	A4		10002394		
				enrg	JEFF.HSIEH	04/12/02					
				chr	JEFF.HSIEH	04/12/02					
				appd	JENN TSAO	04/12/02					
sheet index	revision sheet										