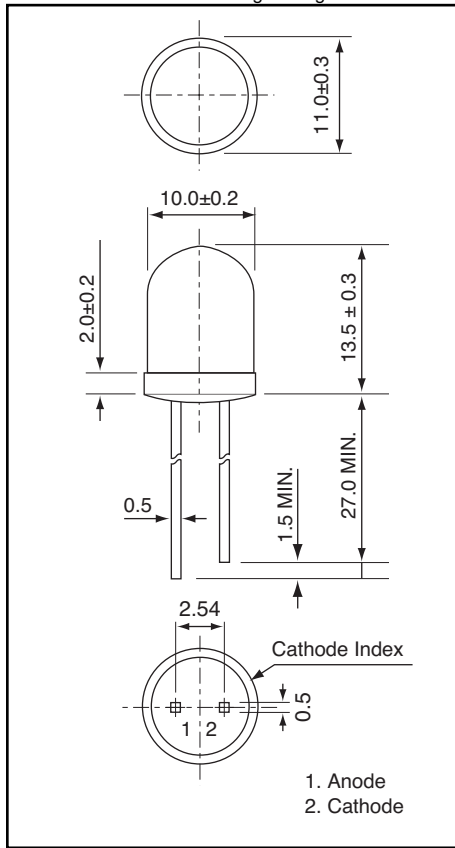




Weight: 1.0g Unit: mm



# AND190HW

## InGaN High Brightness White Light Emission T-3 Package (10 mm)

### Features

- New emission material (InGaN) white LED
- All plastic mold type, clear colorless lens
- Low drive current, (forward current = 1 to 20 mA)
- Excellent On-Off contrast ratio
- Fast response time, capable of pulse operation
- High power luminous intensity
- Suitable for Outdoor Message Signboards, Automotive use.

### Maximum Ratings ( $T_a = 25^\circ\text{C}$ )

Characteristics	Symbol	Rating	Unit
Forward Current	$I_F$	30	mA
Reverse Voltage	$V_R$	5	V
Power Dissipation	$P_D$	108	mW
Operating Temperature Range	$T_{Opr}$	-40 to 85	$^\circ\text{C}$
Storage Temperature Range	$T_{Stg}$	-40 to 85	$^\circ\text{C}$

### Electro-Optical Characteristics ( $T_a = 25^\circ\text{C}$ )

Characteristics	Symbol	Test Condition	Minimum	Typical	Maximum	Unit
Forward Voltage	$V_F$	$I_F = 20 \text{ mA}$	–	3.7	4.3	V
Reverse Current	$I_R$	$V_R = 5 \text{ V}$	–	–	10	$\mu\text{A}$
Luminous Intensity	$I_V$	$I_F = 20 \text{ mA}$	3,300	6,000	–	mcd
Chromaticity Coordinates	x	$I_F = 10 \text{ mA}$	–	0.33	–	
	y	$I_F = 10 \text{ mA}$	–	0.34	–	
Full Viewing Angle	$\theta$	$I_V = 1/2 \text{ Peak}$	–	40	–	degree

### Precaution

Please be careful of the following:

1. Soldering temperature:  $260^\circ\text{C}$  max  
Soldering time: 5 sec. max  
Soldering portion of lead: up to 1.6 mm from the body of the device
2. The lead can be formed up to 5 mm from the body of the device without forming stress.  
Soldering should be performed after the lead forming.
3. Absolute secure counter measures against static electricity and surge should be taken when handling these products. It is recommended to use wrist band or antistatic gloves when handling these LEDs.

Product specifications contained herein may be changed without prior notice.

It is therefore advisable to contact Purdy Electronics before proceeding with the design of equipment incorporating this product.

