

INTRODUCTION:

Adam Tech CE Series Card Edge Connectors are precision engineered PCB mount connectors developed to mate with the plated fingers of a printed circuit daughter board. Their bifurcated, cantilever contacts are set in a dual readout configuration and they offer a reliable connection for a wide range of PCB thicknesses. Adam Tech's sturdy solder tails with tapers allow easy insertion and rugged durability.

FEATURES:

- .100" x .200" centerlines
- Selectively gold plated contacts
- Wide selection of positions
- Compatible with a wide range of PCB thicknesses

MATING PC BOARDS:

All printed circuit boards with a thickness of .055" to .075"

SPECIFICATIONS:

Material:

Standard insulator: PBT, 30% glass reinforced, rated UL94V-0
Optional Hi-Temp insulator: Nylon 6T, rated UL94V-0
Insulator Color: Black
Contacts: Phosphor Bronze

Contact Plating:

Gold over Nickel underplate on contact area, tin over copper underplate on tails.

Electrical:

Operating voltage: 250V AC max.
Current rating: 3 Amps max.
Contact resistance: 30 mΩ max. initial
Insulation resistance: 3000 MΩ min.
Dielectric withstanding voltage: 500V AC for 1 minute

Mechanical:

Insertion force: 10 oz max.
Withdrawal force: 3 oz min

Temperature Rating:

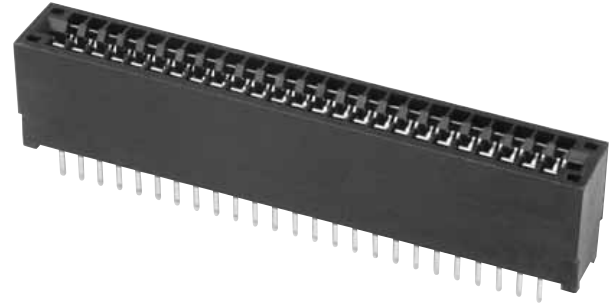
Operating temperature: -55°C to +105°C
Soldering process temperature:
Standard insulator: 235°C
Hi-Temp insulator: 260°C

PACKAGING:

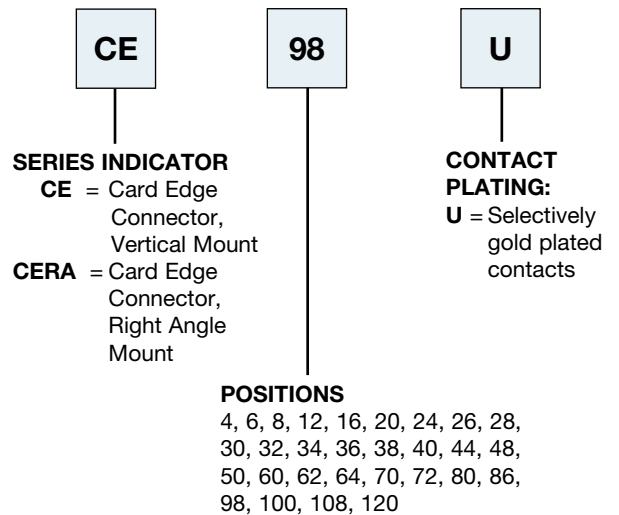
Anti-ESD plastic trays

SAFETY AGENCY APPROVALS:

UL Recognized & CSA Certified, File no. E224053



ORDERING INFORMATION

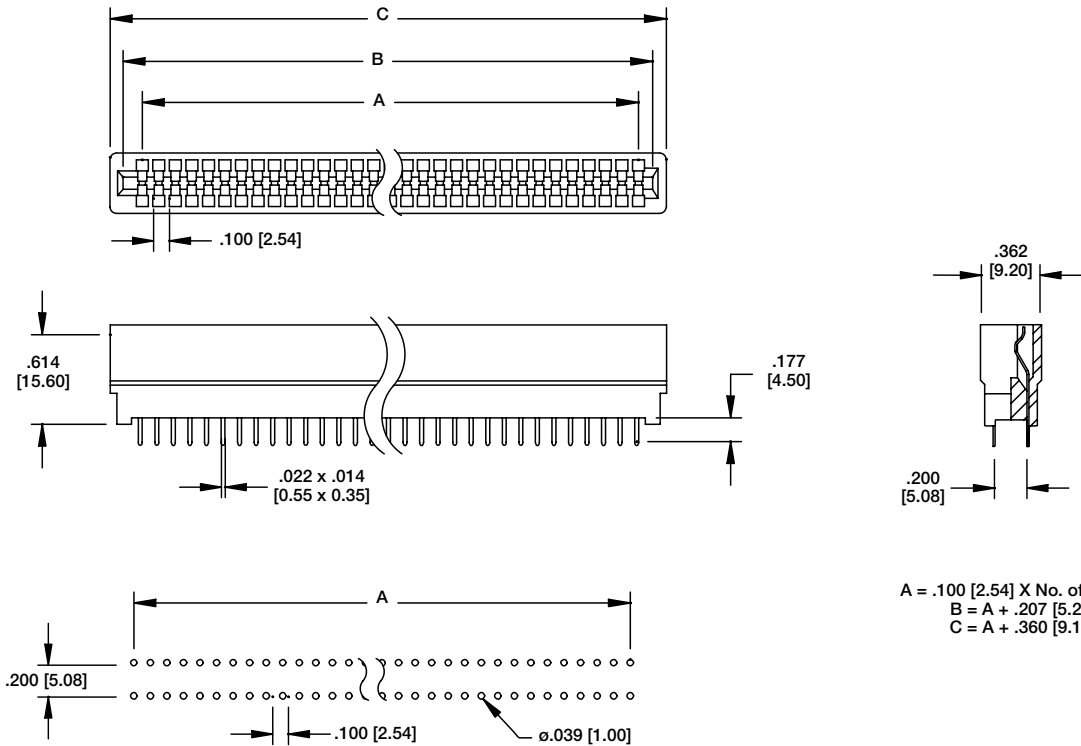


OPTIONS:

Add designator(s) to end of part number
30 = 30 μin gold plating in contact area
HT = Hi-Temp insulator for Hi-Temp soldering processes up to 260°C
BR = Board retention tails

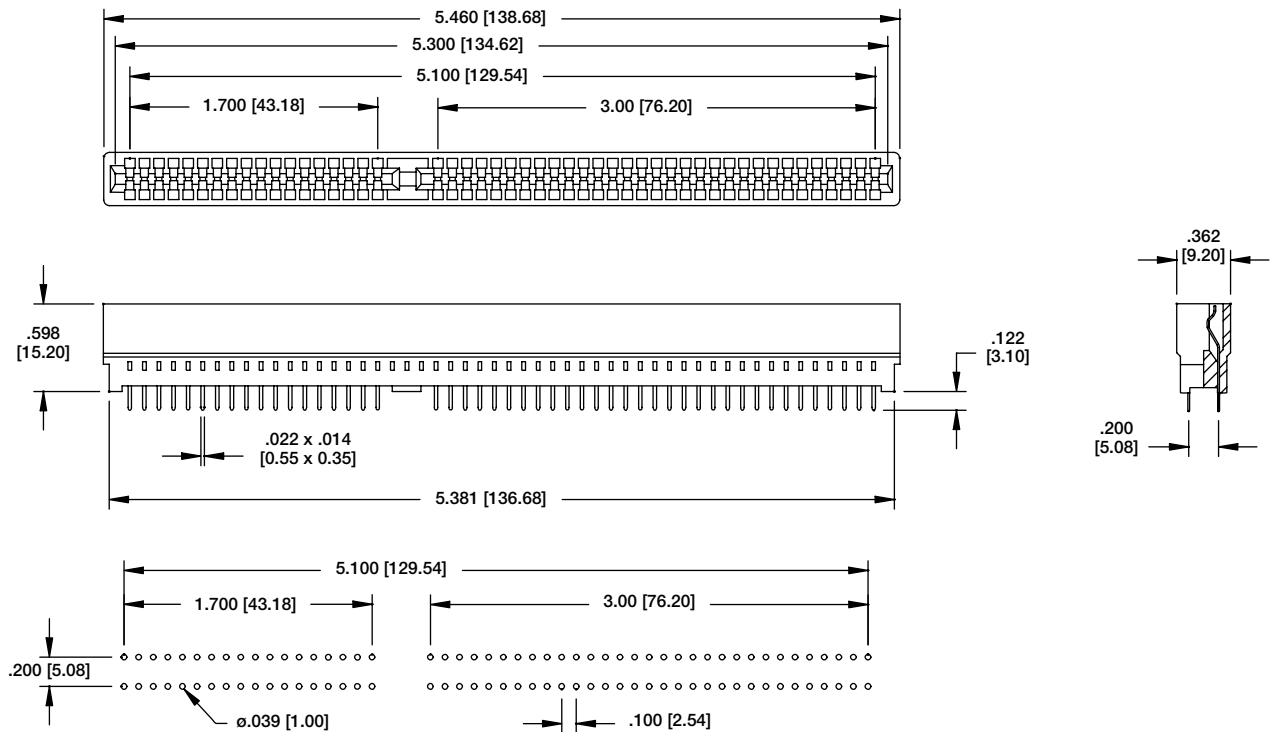


18P-100P



Recommended PCB Layout

98P



Recommended PCB Layout

INTRODUCTION:

Adam Tech HMCA Series Card Edge Connectors include Standard and Express versions designed for PCB's in Peripheral Component Interconnect (PCI) applications. Each is manufactured in a four row, high density package which is completely compatible to industry standards and has specially engineered contacts which provide a very short electrical path between boards. Adam Tech card edge connectors are designed for high performance with solid board pegs and precision located, selectively gold plated contacts which are ideal in high speed, increased bandwidth applications

FEATURES:

- PCI and PCI Express Versions
- High density compact designs
- Industry standard PCI compatible
- Special contact design reduces electrical path
- Selectively plated contacts
- Open bottom for after solder cleaning

MATING PC BOARDS:

All .050" centerline printed circuit board pads with a thickness of .062" to .072"

SPECIFICATIONS:

Material:

Standard insulator: PPS, 30% glass reinforced, rated UL94V-0
Optional Hi-Temp insulator: Nylon 6T, rated UL94V-0
Insulator Color: Dark Brown (White for 120 pos.)
Contacts: Phosphor Bronze

Contact Plating:

Gold over Nickel underplate on contact area, tin over copper underplate on tails.

Electrical:

Operating voltage: 125V AC max.
Current rating: 1 Amp max.
Contact resistance: 30 mΩ max. initial
Insulation resistance: 1000 MΩ min.
Dielectric withstanding voltage: 500V AC for 1 minute

Mechanical:

Insertion force: 7 oz max.
Withdrawal force: 0.9 oz min

Temperature Rating:

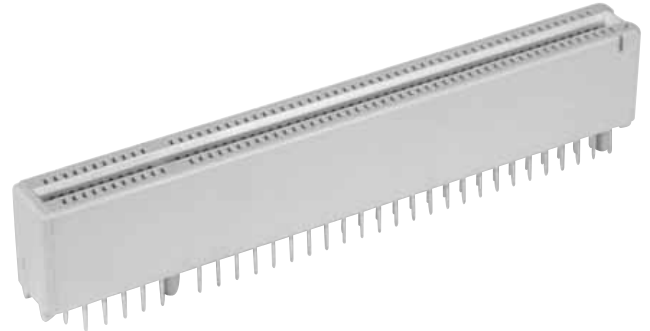
Operating temperature: -55°C to +105°C
Soldering process temperature:
Standard insulator: 235°C
Hi-Temp insulator: 260°C

PACKAGING:

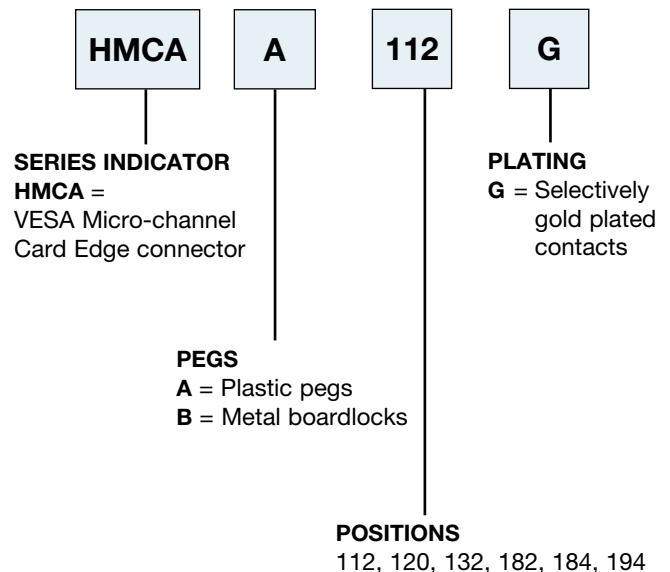
Anti-ESD plastic trays

SAFETY AGENCY APPROVALS:

UL Recognized & CSA Certified, File no. E224053

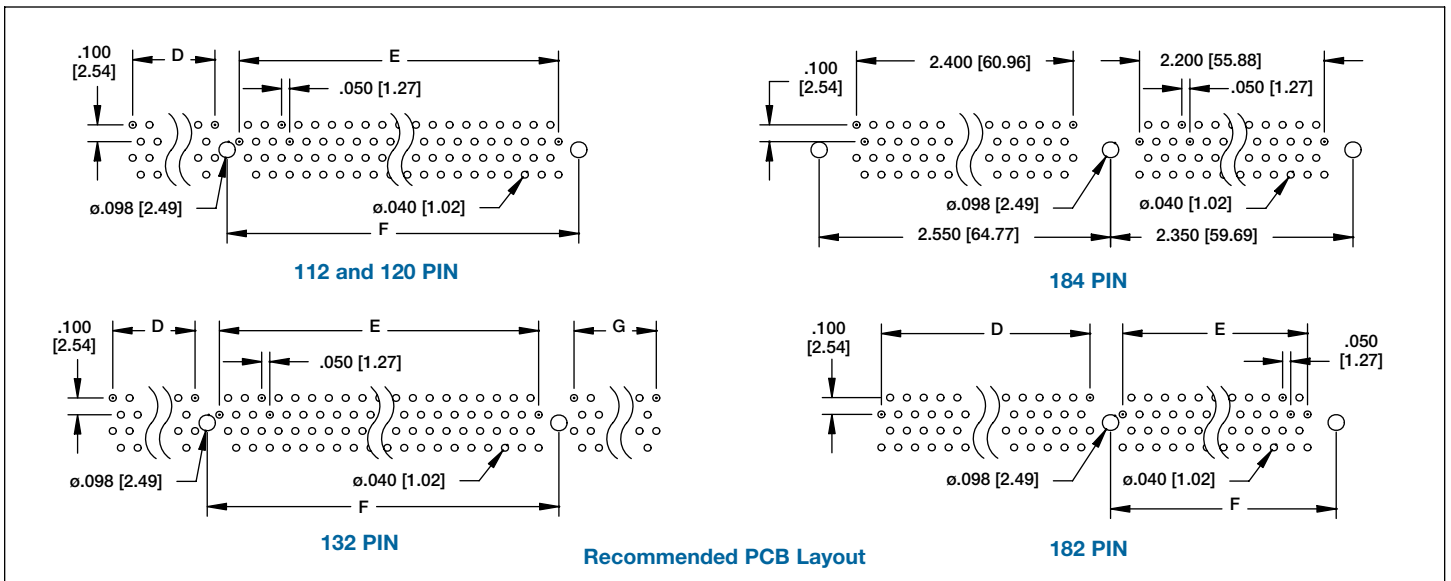
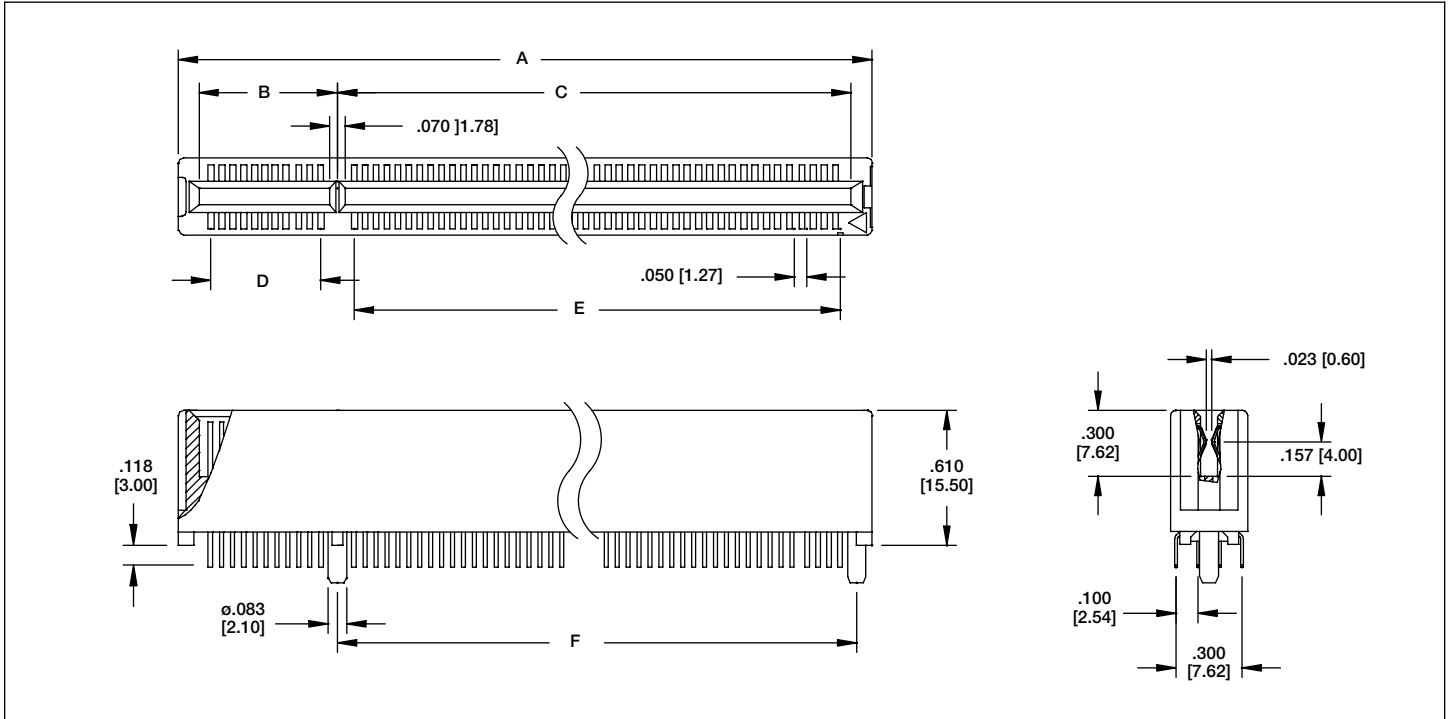


ORDERING INFORMATION



OPTIONS

Add designator(s) to end of part number
30 = 30 μin gold plating in contact area
HT = Hi-Temp insulator for Hi-Temp soldering
processes up to 260°C



Unit: Inch [mm]

Part No. & Positions	Dimensions						
	A	B	C	D	E	F	G
HMCA-112-G	3.140 [79.76]	0.625 [15.88]	2.325 [59.06]	0.500 [12.70]	2.200 [55.88]	2.232 [56.69]	—
HMCA-120-G	3.340 [84.84]	0.625 [15.88]	2.525 [64.14]	0.500 [12.70]	2.400 [60.96]	2.550 [64.77]	—
HMCA-132-G	3.740 [95.00]	0.625 [15.88]	2.925 [74.30]	1.834 [46.60]	2.200 [55.88]	2.350 [59.69]	0.450 [11.43]
HMCA-182-G	4.890 [124.21]	2.175 [55.25]	2.525 [64.14]	2.050 [52.07]	2.050 [52.07]	2.550 [64.77]	—
HMCA-194-G	5.290 [134.37]	2.175 [55.25]	2.925 [74.30]	2.050 [52.07]	2.200 [55.88]	2.350 [59.69]	0.450 [11.43]

INTRODUCTION:

Adam Tech HDCE Series EISA (Extended Industry Standard Architecture) Card Edge Connectors are .050" pitch 188 position dual level contact connectors specifically designed to mate with AT, XT and PC expansion cards. Our precision formed High Reliability contact system is contained within a Hi-Temp PPS body which features a close tolerance polarizing slot and card edge lead-in area for superior mating.

FEATURES:

High density .050" Centerlines
Compatible with PC, XT & AT
Durable Long Life cycle contacts
High Pressure Contacts for Low Level Circuits

MATING PC BOARDS:

All .050" centerline printed circuit board pads with a thickness of .062" to .072"

SPECIFICATIONS:

Material:

Standard insulator: PPS, 30% glass reinforced, rated UL94V-0
Optional Hi-Temp insulator: Nylon 6T, rated UL94V-0
Insulator Color: Dark Brown (Black optional)
Contacts: Phosphor Bronze

Contact Plating:

Gold over Nickel underplate on contact area, tin over copper underplate on tails.

Electrical:

Operating voltage: 125V AC max.
Current rating: 3 Amps max.
Contact resistance: 20 mΩ max. initial
Insulation resistance: 1000 MΩ min.
Dielectric withstanding voltage: 500V AC for 1 minute

Mechanical:

Insertion force: 7 oz max.
Withdrawal force: 0.9 oz min

Temperature Rating:

Operating temperature: -55°C to +105°C
Soldering process temperature:
Standard insulator: 235°C
Hi-Temp insulator: 260°C

PACKAGING:

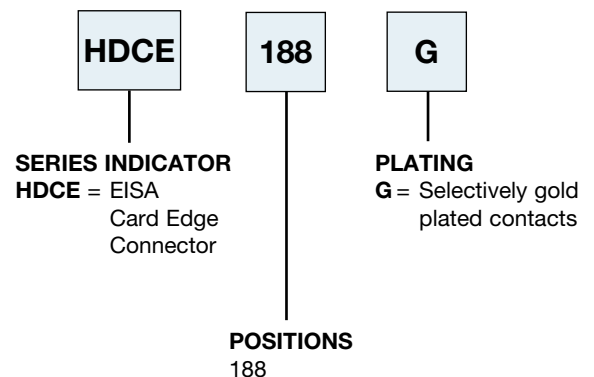
Anti-ESD plastic trays

APPROVALS AND CERTIFICATIONS:

UL Recognized & CSA Certified, File no. E224053



ORDERING INFORMATION



OPTIONS:

Add designator(s) to end of part number

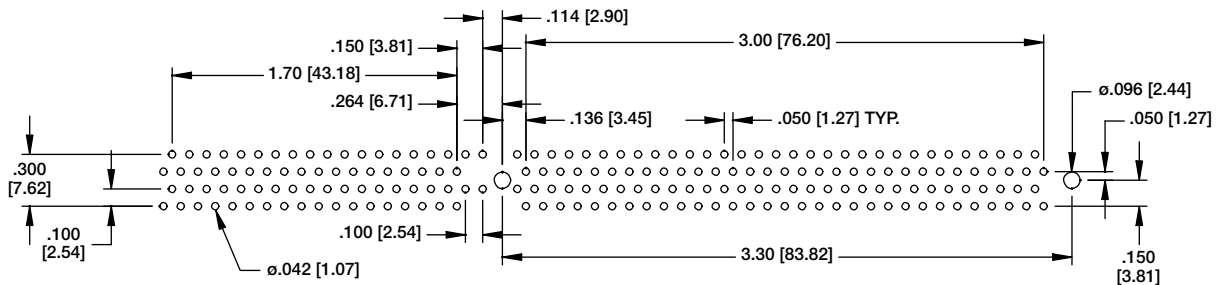
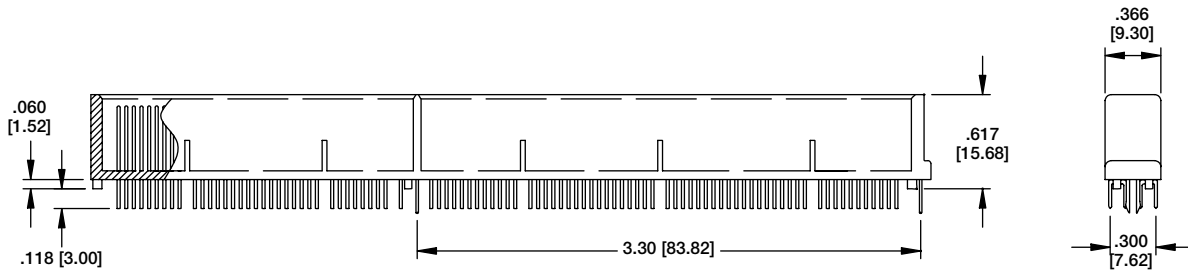
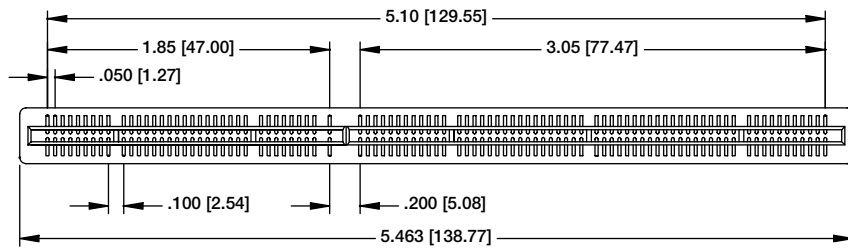
30 = 30 μin gold plating in contact area

BK = Black color insulation

HT = Hi-Temp insulator for Hi-Temp soldering processes up to 260°C



HDCE-188-G



Recommended PCB Layout