

APPLICATIONS:

- Satellite receiver
- Data receiver

BSFZ-Series I/Q Output Satellite Tuners

FEATURES

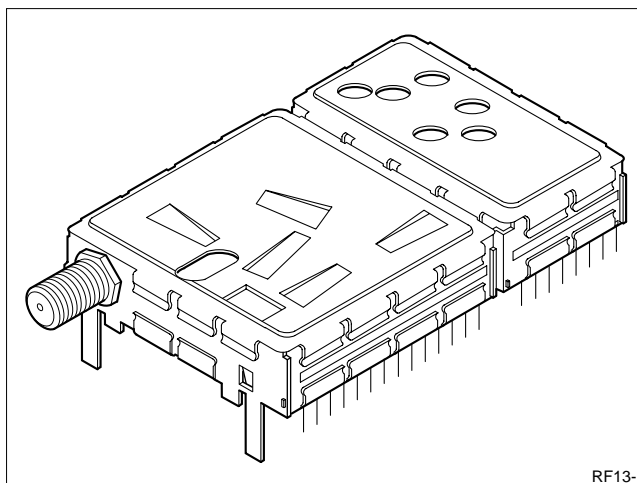
- First LO PLL tuning
- Low noise figure, 8 dB typical (model dependent)
- 65 dB typical AGC range
- Conversion gain range 45 dB typical
- Low phase noise
- Input range: 950 - 2,050 MHz
- Maximum input level: -25 dBm
- Input and output impedance: 75 Ω
- 30 MHz I/Q output low pass filter, typical

DESCRIPTION

The BSFZ-series tuners are designed for reception of modulated digital data streams. These tuners can be used for reception of digital video and data streams.

The first Local Oscillator is Phase-Locked Loop tuned using a 3-wire or I²C-bus serial data bus. The second Local Oscillator in the I/Q Demodulator is controlled by a SAW resonator or an analog voltage depending on model. A prescaler is provided on the I/Q conversion oscillator output in some models for complete control of the conversion process.

The power supply is 5 V and 29 V.

STANDARD BSFZ PACKAGE

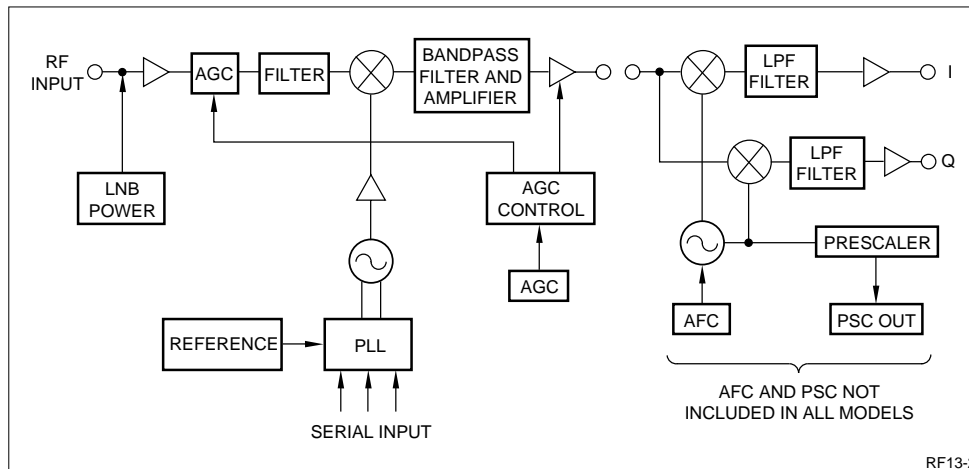
RF13-1

MODEL SELECTION GUIDE

Model	Bandpass Filter (MHz)	I/Q Conversion Control	Package Style	PLL
BSFZ68G57	36	SAW Stabilized	Standup	I ² C
BSFZ68G58	36	SAW Stabilized	Laydown	I ² C
BSFZ68G61	36	SAW Stabilized	Standup	3-wire
BSFZ68G62	36	SAW Stabilized	Laydown	3-wire
BSFZ68G63	27/54	SAW Stabilized	Laydown	3-wire
BSFZ68G64	27/36	SAW Stabilized	Standup	3-wire
BSFZ68G65	27/36	SAW Stabilized	Laydown	3-wire
BSFZ68G66	7.8	SAW Stabilized	Standup	3-wire
BSFZ68G67	7.8	SAW Stabilized	Laydown	3-wire
BSFZ68G72	36	SAW Stabilized	PCI Compatible Laydown	I ² C

Windows® software for tuning the 3-wire PLLs in the above listed models in a laboratory or test environment is available upon request.

BASIC BLOCK DIAGRAM



SHARP Microelectronics of the Americas Regional Sales Offices

North American Headquarters
 Camas, WA
 Ph (360) 834-2500
 Fax (360) 834-8903

West
 Irvine, CA
 Ph (714) 250-0225
 Fax (714) 250-0438
 San Jose, CA
 Ph (408) 436-4900
 Fax (408) 436-0924

Central
 Romeoville, IL
 Ph (708) 226-2400
 Fax (708) 759-8572
 Auburn Hills, MI
 Ph (810) 377-9220
 Fax (810) 377-9222
 Austin, TX
 Ph (512) 349-7262
 Fax (512) 349-7002
 DFW Airport, TX
 Ph (214) 574-5205
 Fax (214) 456-0360
 Houston, TX
 Ph (713) 955-9909
 Fax (713) 955-9910

East
 Burlington, MA
 Ph (617) 270-7979
 Fax (617) 229-9117
 Annadale, NJ
 Ph (908) 713-0505
 Fax (908) 713-0566
 Durham, NC
 Ph (919) 941-0065
 Fax (919) 941-0066

Distributors

Future Electronics
 Canada
 Ph (514) 694-7710
 Fax (514) 695-3707

Marshall Industries
 El Monte, CA
 Ph (800) 522-0084
 Fax (818) 307-6173
<http://www.marshall.com>

Bell-Milgray
 Farmindale, NY
 Ph (800) MILGRAY (645-4729)
 Fax (516) 293-6465

Repron
 Tampa, FL
 Ph (800) 659-1361
 Fax (813) 854-2351

Sterling Electronics Corp.
 Houston, TX
 Ph (800) 745-5500
 Fax (713) 629-3939

FastFax Service: 1-800-833-9437

Product Information: 1-800-642-0261

World Wide Website: <http://www.sharpsma.com>