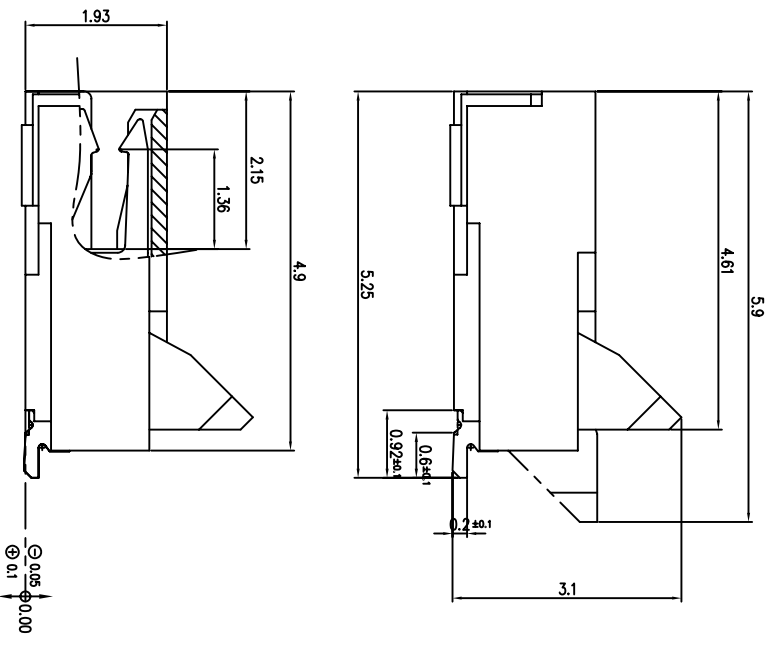
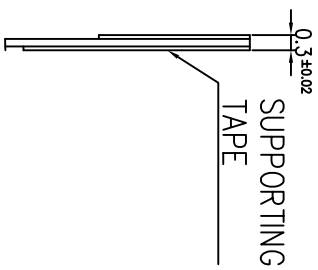
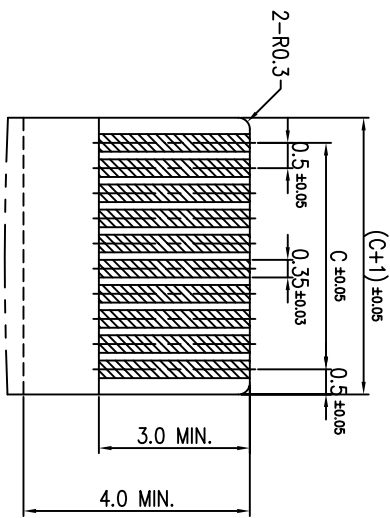


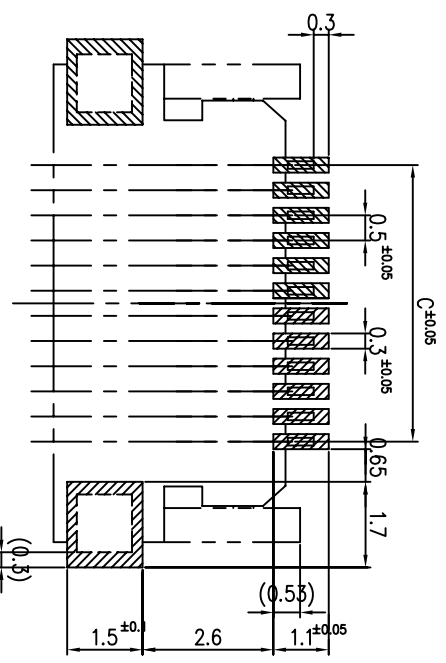
NO.OF POSITION	PARTS NO	A	B	C
40	05002HR-40N	23.5	20.54	19.5
45	05002HR-45N	26.0	23.04	22.0
50	05002HR-50N	28.5	25.54	24.5
57	05002HR-57N	32.0	29.04	28.0




YEONHO ELECTRONICS CO., LTD.				TITLE 05002HR-NNN	
SCALE	DRAWN	DESIGN	CHECK	APPD	SIZE
10/1 (20/1)					A2
				TRNG. NO	REV
				05002HR-00N-S	02



APPLICABLE FPC



PCB LAYOUT

I/NO		DESCRIPTION		MATERIAL		TREATMENT		QTY	REMARK
SCALE		DRAWN		DESIGN		CHECK		APPD	
10/1									
 YEONHO ELECTRONICS CO., LTD. (PCB LAYOUT & FILM SPEC.)									
TITLE		05002HR-NNN							
SIZE		A3		DWG. NO		05002HR-00N-L		REV	0
LTR		REVISION RECORD		DATE		DR		CHK	
1		2		3		4		5	
"본 도면은 연구실에서의 지적재산이므로 원의 COPY 및 배포를 금합니다"									