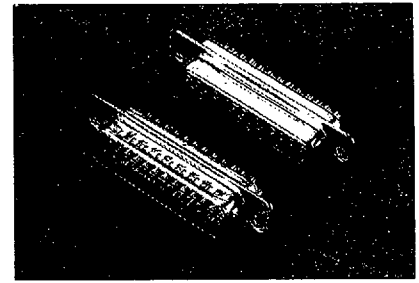


# D-SUB CONNECTOR SOLDER TYPE



## SPECIFICATION

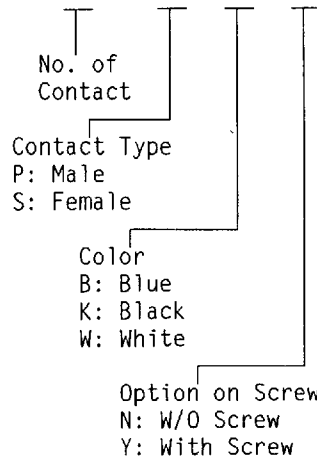
- \* Current Rating:  
5 A
- \* Withstanding Voltage:  
1000 VAC ( 1 min.)
- \* Insulation Resistance:  
1000 MΩ min.
- \* Contact Resistance:  
30 mΩ max.
- \* Operating Temperature:  
-40°C to +85°C

## MATERIAL

- \* Contact: Brass ,Gold Plated
- \* Insulator: PBT & 30% G. F.
- \* Shell: Stell, Tin Plated

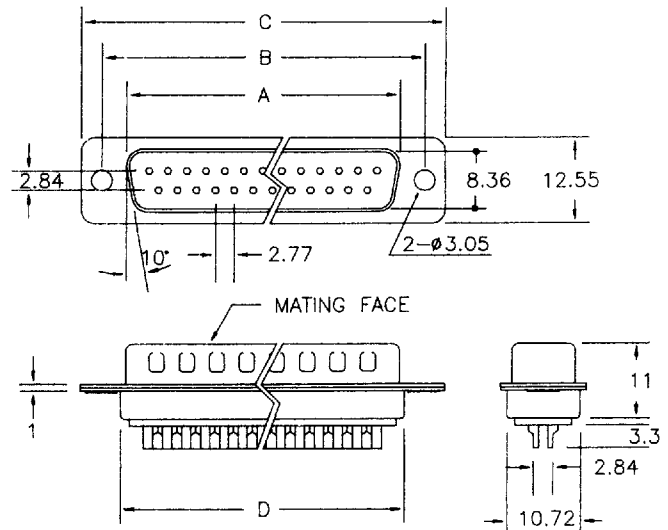
## ORDER INFORMATION

DS-100-XX - X - X - X

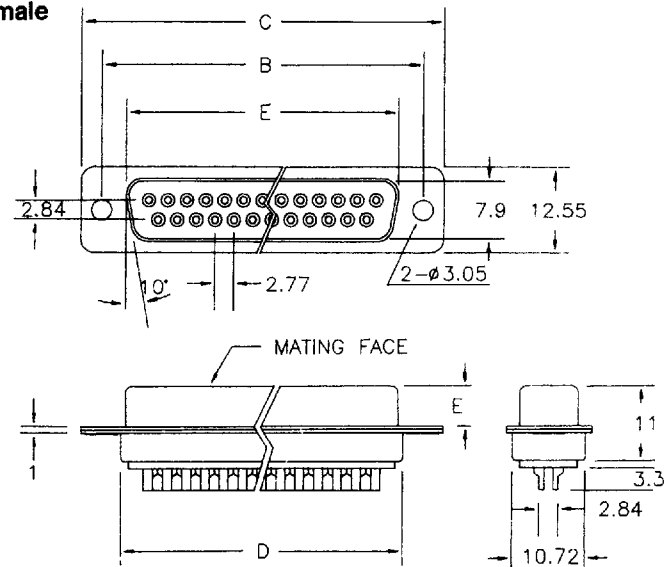


Specifications are subject to change without notice

## MALE



## Female



POS	A	B	C	D	E
9	16.92	24.99	30.81	19.28	16.33
15	25.25	33.32	39.14	27.51	24.66
19	32.90	39.03	44.80	33.02	29.92
23	38.50	44.36	50.30	38.15	35.18
25	38.96	47.04	53.04	41.30	38.38
37	55.42	63.50	69.32	57.71	54.84
50	52.86	61.11	66.90	55.30	52.34