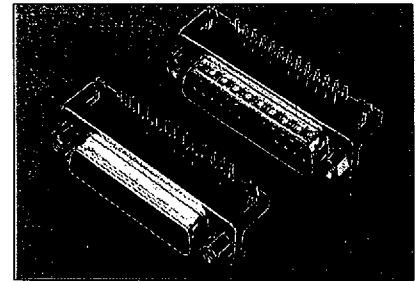


# D-SUB CONNECTOR RIGHT ANGLE TYPE (.318")



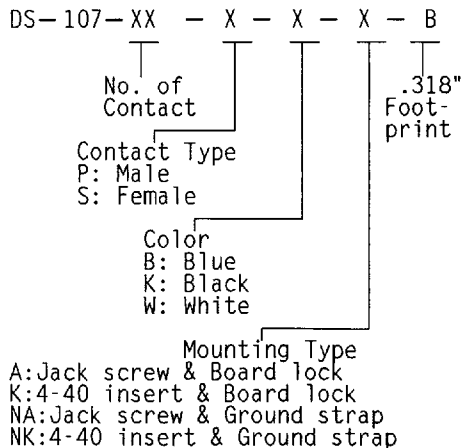
## SPECIFICATION

- \* Current Rating:  
5 A
- \* Withstanding Voltage:  
1000 VAC ( 1 min.)
- \* Insulation Resistance:  
1000 MΩ min.
- \* Contact Resistance:  
30 mΩ max.
- \* Operating Temperature:  
-40°C to +85°C

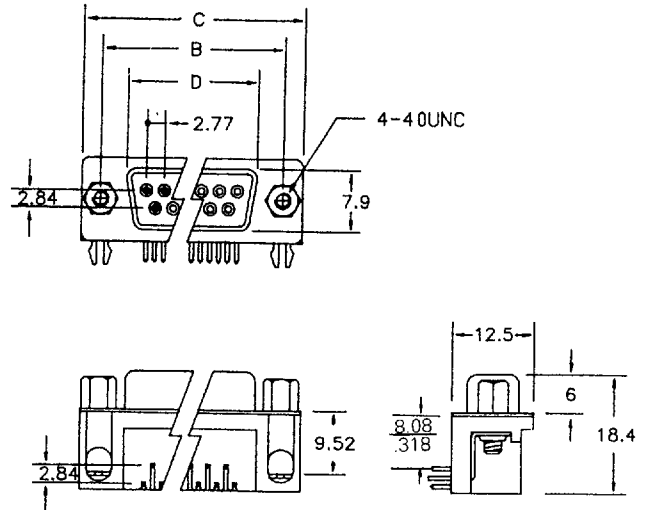
## MATERIAL

- \* Contact: Brass, Gold Plated
- \* Insulator: PBT & 30% G. F.
- \* Shell: Stell, Tin Plated

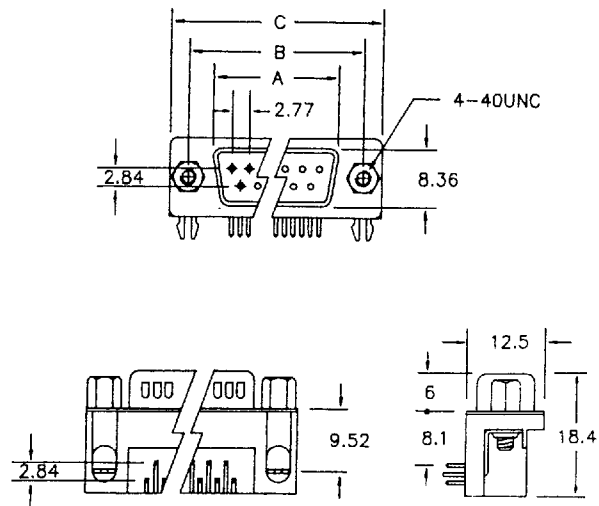
## ORDER INFORMATION



## FEMALE



## MALE



POS	A	B	C	D
9	16.92	24.99	30.81	16.33
15	25.25	33.32	39.14	24.66
25	38.96	47.04	53.04	38.38
37	55.42	63.50	69.32	54.84

Specifications are subject to change without notice