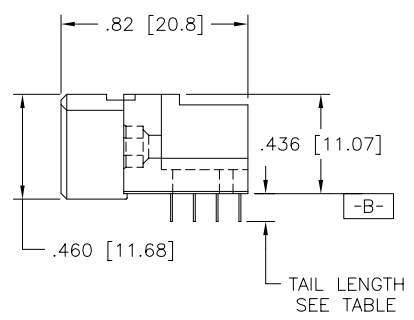
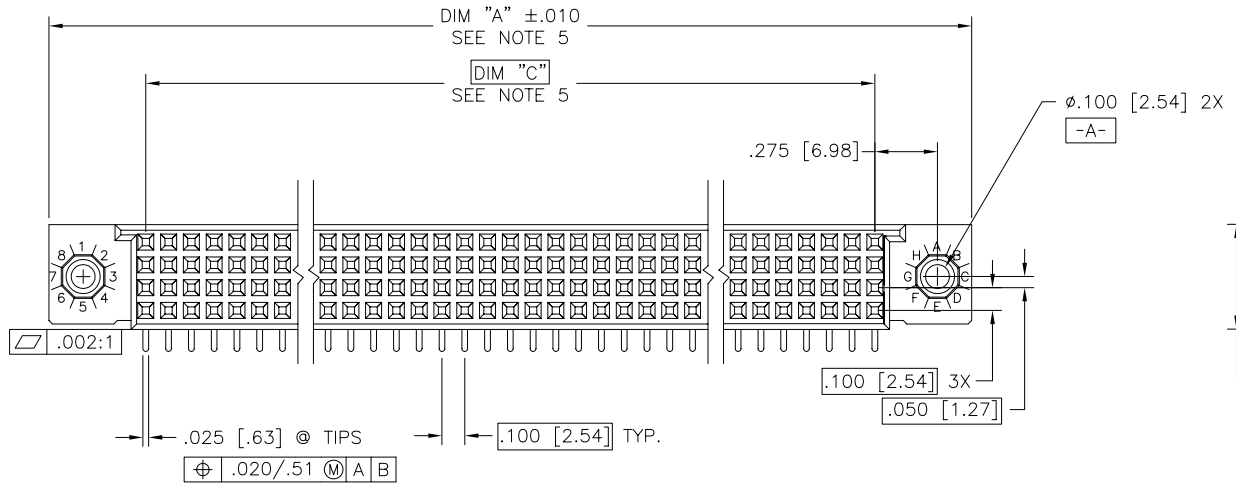
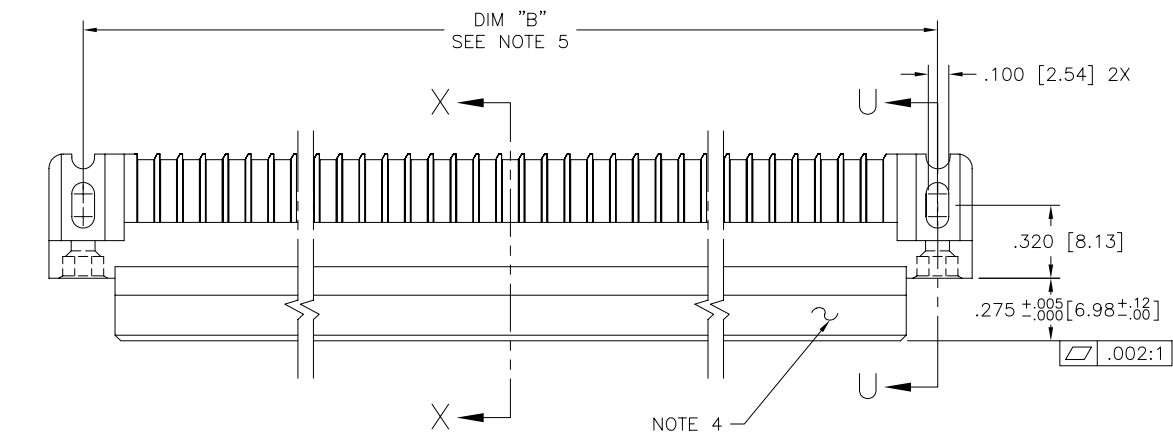




FCIconnect.com

Copyright FCI

PRODUCT NUMBER
SEE TABLE



| | | | | | |
|---------------------------|----------|-----------------------|----------------------------------|---------------------------------------|--|
| mat'l. code SEE NOTE 3 | | surface ISO 1302 ✓ | tolerance ISO 406 ISO 1101 | projection INCH/MM scale 1:1 | product family HPC |
| ltr | ecn no | dr | date | tolerances unless otherwise specified | title |
| H | V40837 | PDP | 5/5/94 | angles linear .XX \pm .01/.3 | 4 ROW R/A RECEPTACLE SOLDER TAIL, 0 GUIDE PIN |
| J | V41511 | GAH | 10/13/94 | .xxx \pm .005/.13 | |
| K | V50266 | SAR | 9/5/95 | 0 \pm 2" | .xxxx \pm .0020/.051 |
| L | V82251 | HTB | 12/28/98 | dr | D.SHEAFER 1/7/90 |
| M | V00253 | JWS | 1/12/00 | engr | S.CLARK 1/7/90 |
| N | V05-0513 | DAI | 10/19/05 | chr | S.CLARK 1/7/90 |
| P | M06-0283 | MHT | 7/27/06 | appd | S.CLARK 1/7/90 |
| sheet | revision | P | P | P | P |
| index | sheet | 1 | 2 | 3 | 4 |



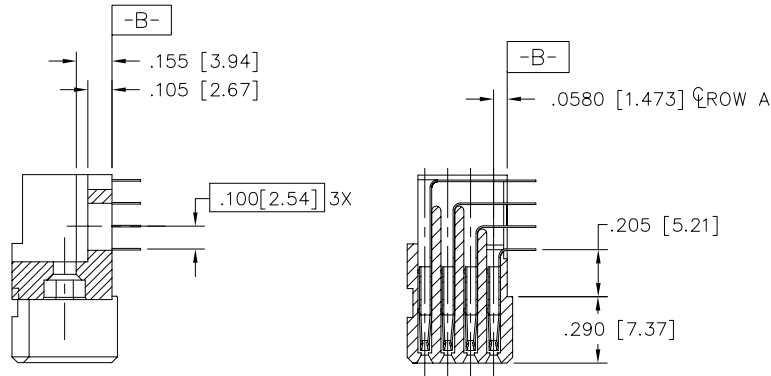
dwg no 50003 sheet 1 of 4 size A3

type Product Customer Drawing

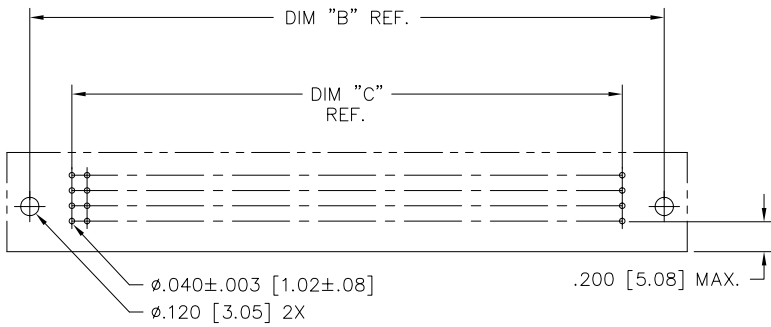
PRODUCT NUMBER
SEE TABLE

NOTES:

- PRODUCT NUMBERING CODE:
50003 - X YYY Z LF
 - LEAD FREE (OPTIONAL)
 - TAIL LENGTH SEE TABLE
 - NO. OF POSITIONS SEE NOTE 2
 - PLATING SEE TABLE
 - BASE NUMBER
- PRODUCT NUMBERING CODE FOR SELECT LOAD PART NUMBERS:
50003 - XXYYY LF
 - LEAD FREE (OPTIONAL)
 - SEQUENCE NUMBER
 - ALWAYS 'XX'
 - BASE NUMBER
- THIS PRODUCT IS CONFIGURED IN SIZES OF 6 THRU 80 COLUMNS IN INCREMENTS OF ONE. i.e.: 6,7,8,9.....79,80.
- HOUSING MATERIAL: GLASS AND MINERAL FILLED THERMOPLASTIC. CONTACT MATERIAL: BeCu
- COMPANY NAME, PART NUMBER AND LOT CODE TO APPEAR ON THIS SURFACE PER BUS-12-108.
- LENGTH FORMULAS
 DIM A = .100/2.54 X NO. OF COLUMNS + .75/19.1
 DIM B = .100/2.54 X NO. OF COLUMNS + .450/11.43
 DIM C = .100/2.54 X NO. OF COLUMNS - .100/2.54
- PRODUCT WITH 'LF' SUFFIX MEETS EUROPEAN UNION DIRECTIVES AND OTHER COUNTRY REGULATIONS AS DISCRIBED IN GS-22-008.
- THIS HOUSING WILL WITHSTAND EXPOSURE TO 260° C PEAK TEMPERATURE FOR 10-30 SECONDS IN CONVECTION, INFRA-RED OR VAPOR PHASE REFLOW OVEN.
- DUE TO SPECIAL PLATING, LF NOT AVAILABLE FOR 50003-XX002.



SECTION U-U SECTION X-X



RECOMMENDED PCB LAYOUT
(ALL HOLES LOCATED ON .100 [2.54] GRID UNLESS OTHERWISE SPECIFIED)

| | | | | | |
|---------------------------------------|----------|-----------------------|----------------------------------|-----------------------|--|
| mat'l. code SEE NOTE 3 | | surface ISO 1302 ✓ | tolerance ISO 406 ISO 1101 | projection INCH/MM | product family HPC |
| ltr | ecn | no | dr | date | title |
| P | | | | | 4 ROW R/A RECEPTACLE SOLDER TAIL, 0 GUIDE PIN |
| tolerances unless otherwise specified | | | | angles | linear |
| | | | | 0°±2' | .XX±.01/.3 .XXX±.005/.13 .XXXX±.0020/.051 |
| dr | | | | D.SHEAFER | 1/7/90 |
| enr | | | | S.CLARK | 1/7/90 |
| chr | | | | S.CLARK | 1/7/90 |
| appd | | | | S.CLARK | 1/7/90 |
| sheet | revision | | | | FCJ |
| index | sheet | | | | |
| scale 1:1 | | | | | dwg no sheet 2 of 4 size |
| | | | | | 50003 A3 |
| | | | | | type Product Customer Drawing |

FCJ
FCIconnect.com
Copyright FCI

| PRODUCT NUMBER | NUMBER OF POSITIONS SEE NOTE 2 | TAIL LENGTH | CONTACT PLATING | TAIL PLATING |
|----------------|-----------------------------------|-----------------------|-----------------|--------------|
| 50003-1YYYYE | YYY | .125±.010 / 3.18±0.25 | 30u" /0.76u Au | TIN/LEAD |
| 50003-1YYYYF | YYY | .145±.010 / 3.68±0.25 | 30u" /0.76u Au | TIN/LEAD |
| 50003-1YYYYH | YYY | .180±.010 / 4.57±0.25 | 30u" /0.76u Au | TIN/LEAD |
| 50003-3YYYYE | YYY | .125±.010 / 3.18±0.25 | 50u" /1.27u Au | TIN/LEAD |
| 50003-3YYYYF | YYY | .145±.010 / 3.68±0.25 | 50u" /1.27u Au | TIN/LEAD |
| 50003-3YYYYH | YYY | .180±.010 / 4.57±0.25 | 50u" /1.27u Au | TIN/LEAD |
| 50003-5YYYYE | YYY | .125±.010 / 3.18±0.25 | 30u" /0.76u GXT | TIN/LEAD |
| 50003-5YYYYELF | YYY | .125±.010 / 3.18±0.25 | 30u" /0.76u GXT | TIN |
| 50003-5YYYYF | YYY | .145±.010 / 3.68±0.25 | 30u" /0.76u GXT | TIN/LEAD |
| 50003-5YYYYFLF | YYY | .145±.010 / 3.68±0.25 | 30u" /0.76u GXT | TIN |
| 50003-5YYYYH | YYY | .180±.010 / 4.57±0.25 | 30u" /0.76u GXT | TIN/LEAD |
| 50003-5YYYYHLF | YYY | .180±.010 / 4.57±0.25 | 30u" /0.76u GXT | TIN |
| 50003-XX002 | YYY | .125±.010 / 3.18±0.25 | 80u" /2.03u Au | TIN/LEAD |

NOTE 8

FCJ
FCIconnect.com

Copyright FCI

| | | | | | |
|---------------------------|----------------|---|----------------------------------|--|---|
| mat'l. code SEE NOTE 3 | | surface ISO 1302 <input checked="" type="checkbox"/> | tolerance ISO 406 ISO 1101 | projection | product family HPC |
| ltr | ecn no | dr | date | tolerances unless otherwise specified | title |
| P | | | | angles linear .xx±.01/.3 .xxx±.005/.13 0'±2' .xxxx±.0020/.051 | 4 ROW R/A RECEPTACLE SOLDER TAIL, 0 GUIDE PIN |
| | | | | dr D.SHEAFER 1/7/90 enr S.CLARK 1/7/90 chr S.CLARK 1/7/90 appd S.CLARK 1/7/90 | scale 1:1 FCJ dwg no 50003 sheet 4 of 4 size A3 |
| sheet index | revision sheet | | | | type Product Customer Drawing |

form: A3