

# MICRO ELECTRONICS

1620B

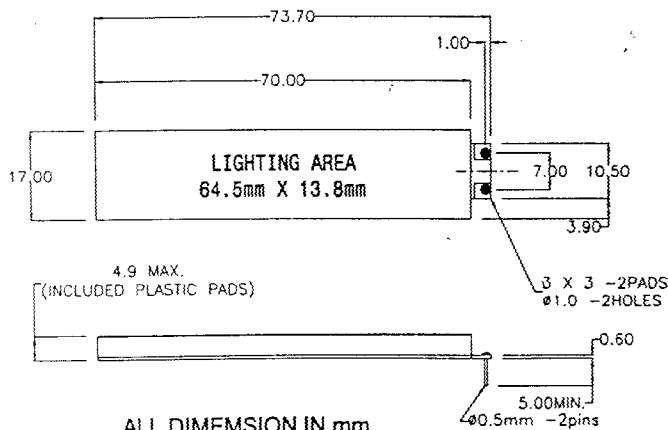
LED BACKLIGHT  
FOR LCD DISPLAY

## ABSOLUTE MAXIMUM RATINGS

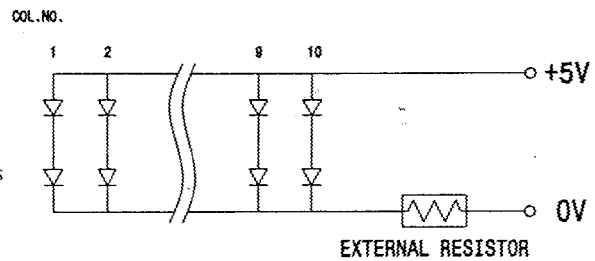
Forward Current	$I_F$	200mA
Reverse Voltage	$V_R$	10V
Operating Temperature	$T_{opr}$	-20 to +70°C
Storage Temperature	$T_{stg}$	-30 to +80°C

## ELECTRO-OPTICAL CHARACTERISTICS ( $T_a=25^\circ\text{C}$ )

PARAMETER	SYMBOL	MIN	TYP	MAX	UNIT	CONDITIONS
Forward Voltage	$V_F$	3.8	4.1	4.4	V	$I_F=100\text{mA}$
Reverse Current	$I_R$			100	$\mu\text{A}$	$V_R=10\text{V}$
Peak Wavelength	$\lambda_p$		565		nm	$I_F=100\text{mA}$
Spectral Line Half Width	$\Delta\lambda$		40		nm	$I_F=100\text{mA}$
Brightness	B	60			$\text{cd/m}^2$	$I_F=100\text{mA}$



ALL DIMENSION IN mm  
NO SCALE  
TOL. : +/-0.3mm



MICRO ELECTRONICS LTD.

38, Hung To Road, Microtron Building, Kwun Tong, Kowloon, Hong Kong.  
Kwun Tong P.O. Box 69477 Hong Kong. Fax No. 2341 0321 Telex:43510 Micro Hx. Tel: 2343 0181-5

Rev A