

# MICRO SWITCH

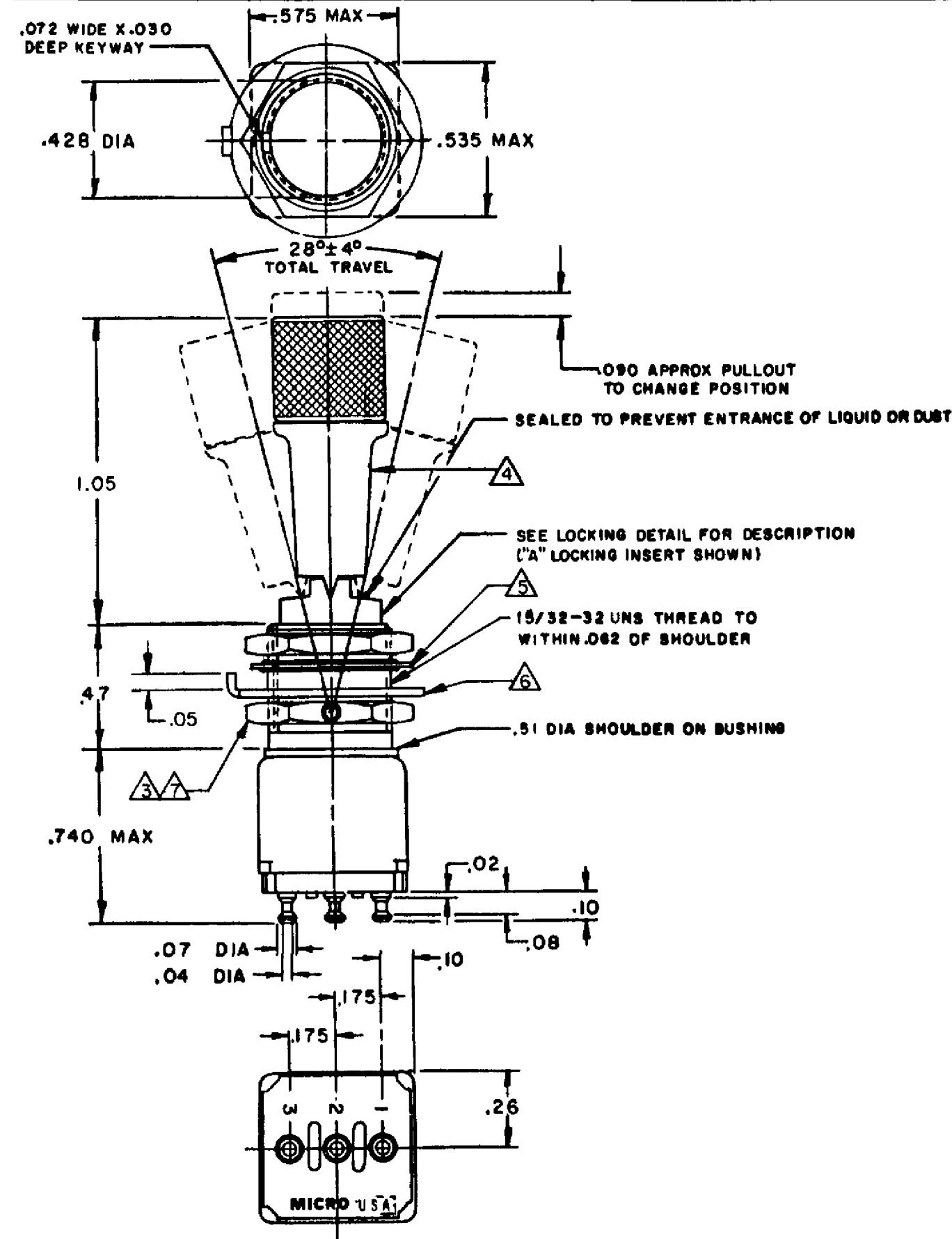
FREEDPORT ILLINOIS U.S.A.  
A DIVISION OF HONEYWELL  
FED MFG CODE 91929

## SWITCH-TOGGLE

CATALOG LISTING  
**11TW49 SERIES**

CHART 1

THIS DRAWING COVERS A PROPRIETARY ITEM AND IS THE PROPERTY OF MICRO SWITCH, A DIVISION OF HONEYWELL. THIS DRAWING IS NOT TO BE COPIED OR USED WITHOUT THE APPROVAL OF MICRO SWITCH.



CAT. LIST.	RECOMMENDED LOCKING COMBINATIONS FOR CONFIGURATION SEE LETTERED DETAILS	CIRCUIT WITH TOGGLE IN		
		EXTREME POSITION KEYWAY SIDE	CENTER	EXTREME POSITION OPPOSITE KEYWAY
11TW49-1	A, B, D, E, F, G, H, J, K, L, M, N, P	ON	OFF	ON
11TW49-3	D, F, G	ON	NONE	ON
11TW49-5	E, F, K, L, M, N	MOM ON	OFF	ON
11TW49-7	E, L, N	MOM ON	OFF	MOM ON
(A) 11TW49-3	F	MOM ON	NONE	ON
11TW49-3	K	NONE	ON	ON
11TW49-5	E	NONE	ON	MOM ON

ELECTRICAL DATA	
CONTACT ARRANGEMENT	
9 A-125 VAC	
-L117-	

"A"  LOCKED IN THREE POSITIONS	"B"  LOCKED IN CENTER AND EXTREME POSITION (KEYWAY SIDE)	"D"  LOCKED OUT OF CENTER POSITION	"E"  LOCKED IN CENTER POSITION	"F"  LOCKED IN EXTREME POSITION (OPPOSITE KEYWAY)	"G"  LOCKED IN EXTREME POSITION (KEYWAY SIDE)
"H"  LOCKED OUT OF CENTER AND EXTREME POSITION (KEYWAY SIDE)	"J"  LOCKED OUT OF CENTER AND EXTREME POSITION (OPPOSITE KEYWAY)	"K"  LOCKED IN CENTER AND EXTREME POSITION (OPPOSITE KEYWAY)	"L"  LOCKED OUT OF EXTREME POSITION (KEYWAY SIDE)	"M"  LOCKED OUT OF AND INTO EXTREME POSITION (OPPOSITE KEYWAY)	"N"  LOCKED OUT OF EXTREME POSITION (OPPOSITE KEYWAY)
"P"  LOCKED OUT OF AND INTO EXTREME POSITION (KEYWAY SIDE)					

- NOTES**
- 1 - TERMINALS ARE PLATED FOR SOLDERING
  - 2 SUFFIX MUST BE ADDED FOR DESIRED TYPE TOGGLE LOCKING
  - 3 MATTE FINISH
  - 4 LUSTERLESS WHITE IN ACCORDANCE WITH FED. STD NO. 595 COLOR NO. 37875
  - 5 CORROSION RESISTANT INTERNAL TOOTH LOCKWASHER .59 DIA X .018 REF THICK
  - 6 CORROSION RESISTANT STEEL KEYING WASHER .072 DIA X .040 THICK, TAB .110 WIDE
  - 7 HEX NUT .56 ACROSS FLATS X .078 THICK (2)

SCALE 2 TO 1  
DO NOT SCALE PRINT  
UNLESS OTHERWISE SPECIFIED DIMENSIONS ARE IN INCHES  
**TOLERANCES ARE:**  
 ONE PLACE (.01) ± .010  
 TWO PLACE (.001) ± .010  
 THREE PLACE (.000) ± .005  
 ANGLES ±  
 WEIGHT .05 LB MAX

CATALOG LISTING  
**11TW49 SERIES CHART 1**  
 PAGE 1 OF 1  
 RELEASE NO CO-78465  
 REPLACES  
 ISSUE **M**  
**3**  
 CHECK  
 REVISIONS  
 A 203772  
 JH 13 SEP 01  
 B 0000477  
 JAH 11 JUN 03  
 CHECK  
 5 JUN 94  
 CHECK  
 LUF 10 JUN 94  
 DRAWN  
 RASTER